



US00D988765S

(12) **United States Design Patent** (10) **Patent No.:** **US D988,765 S**
Dai (45) **Date of Patent:** **** Jun. 13, 2023**

(54) **FOLDING TABLE**

(71) Applicant: **Miaow Intelligent Technology (Shanghai) Co., Ltd.**, Shanghai (CN)

(72) Inventor: **Xuyan Dai**, Shanghai (CN)

(73) Assignee: **Miaow Intelligent Technology (Shanghai) Co., Ltd.**, Shanghai (CN)

(**) Term: **15 Years**

(21) Appl. No.: **29/882,654**

(22) Filed: **Jan. 17, 2023**

Related U.S. Application Data

(63) Continuation-in-part of application No. 29/856,203, filed on Oct. 12, 2022.

(51) **LOC (14) Cl.** **06-03**

(52) **U.S. Cl.**
USPC **D6/686**

(58) **Field of Classification Search**
USPC D6/641, 642, 655, 655.1, 684–686, 691, D6/691.1–691.9, 698, 699, 675, 675.1,
(Continued)

(56) **References Cited**

U.S. PATENT DOCUMENTS

1,287,444 A * 12/1918 Rudy A47B 3/087
108/36
2,715,558 A * 8/1955 Bell A47B 3/0912
108/35

(Continued)

OTHER PUBLICATIONS

Portable Telescoping Table, posted on amazon.com, first available Jul. 23, 2021, online, retrieved Feb. 25, 2023, URL:https://www.amazon.com/Portable-Telescoping-Folding-Camping-Foldable/dp/B09B3HRXW2?ref_ast_sto_dp (Year: 2021).*

(Continued)

Primary Examiner — Mary Shannon Malley
Assistant Examiner — Michelle Marquart Christeon
(74) *Attorney, Agent, or Firm* — ScienBiziP, P.C.

(57) **CLAIM**

The ornamental design for a folding table, as shown and described.

DESCRIPTION

FIG. 1 is a front, right and top perspective view of a first embodiment of a folding table, showing my design.
FIG. 2 is a rear, left and bottom perspective view thereof.
FIG. 3 is a front elevation view thereof.
FIG. 4 is a rear elevation view thereof.
FIG. 5 is a left side elevation view thereof.
FIG. 6 is a right side elevation view thereof.
FIG. 7 is a top plan view thereof.
FIG. 8 is a bottom plan view thereof.
FIG. 9 is a perspective view in a first state of FIG. 1.
FIG. 10 is a perspective view in a second state of FIG. 1.
FIG. 11 is a perspective view in a third state of FIG. 1.
FIG. 12 is a perspective view in a fourth state of FIG. 1.
FIG. 13 is a perspective view in a fifth state of FIG. 1.
FIG. 14 is a front, right and top perspective view of a second embodiment of a folding table.
FIG. 15 is a rear, left and bottom perspective view of the second embodiment of the folding table of FIG. 14.
FIG. 16 is a front elevation view of the second embodiment of the folding table of FIG. 14.
FIG. 17 is a rear elevation view of the second embodiment of the folding table of FIG. 14.
FIG. 18 is a left side elevation view of the second embodiment of the folding table of FIG. 14.
FIG. 19 is a right side elevation view of the second embodiment of the folding table of FIG. 14.
FIG. 20 is a top plan elevation view of the second embodiment of the folding table of FIG. 14.
FIG. 21 is a bottom plan elevation view of the second embodiment of the folding table of FIG. 14.
FIG. 22 is a perspective view in a first state of FIG. 14.
FIG. 23 is a perspective view in a second state of FIG. 14.
FIG. 24 is a perspective view in a third state of FIG. 14.

(Continued)

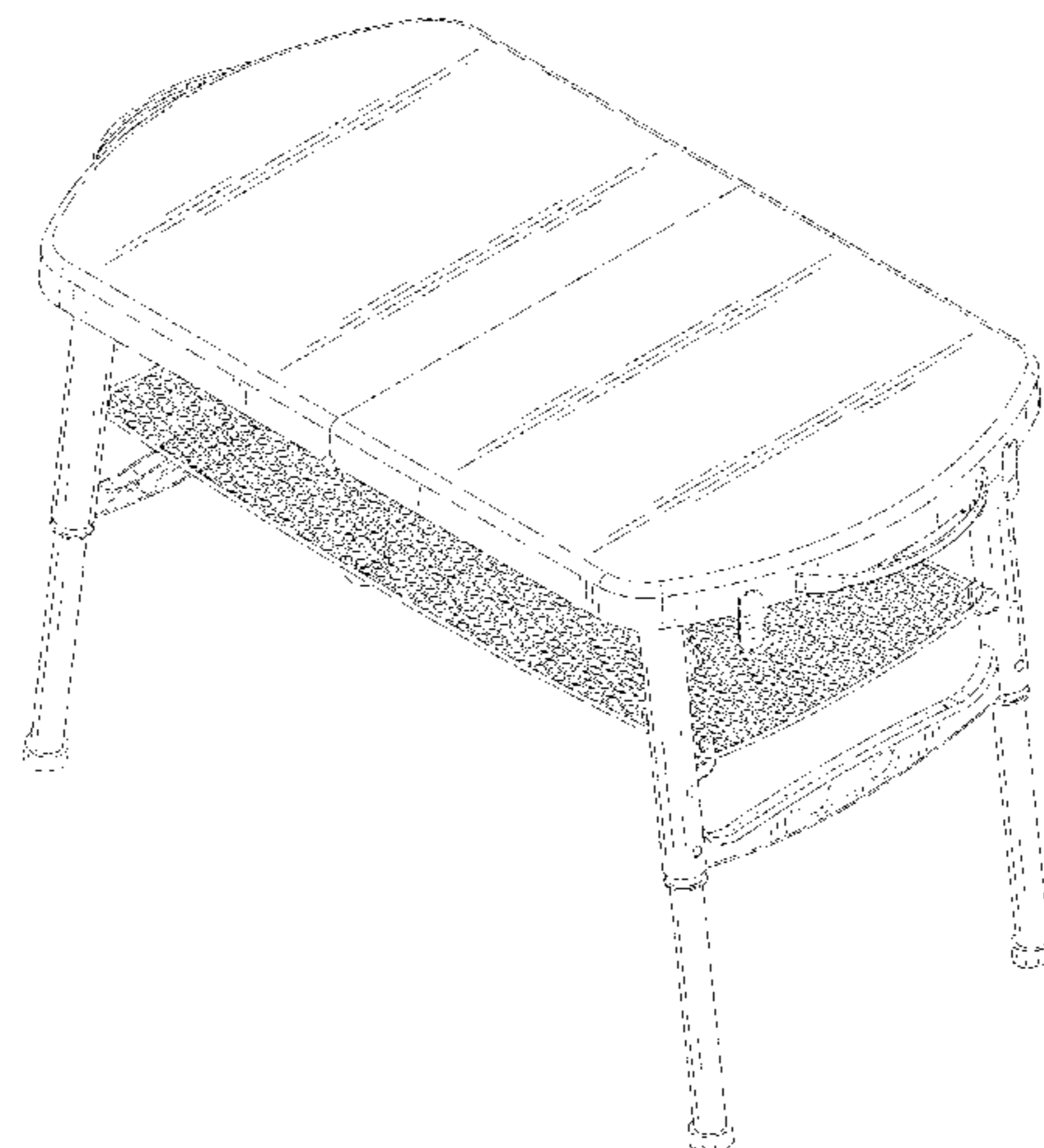


FIG. 25 is a perspective view in a fourth state of FIG. 14; and, FIG. 26 is a perspective view in a fifth state of FIG. 14. The broken lines depict portions of the folding table that form no part of the claimed design.

1 Claim, 26 Drawing Sheets

(58) **Field of Classification Search**

USPC D6/683, 683.1; D15/77, 127; D34/12, D34/21, 27
 CPC .. A47B 3/00; A47B 3/002; A47B 3/02; A47B 3/08; A47B 2003/008; A47B 7/00; A47B 13/00; A47B 13/02; A47B 13/04; A47B 13/06; A47B 13/08; A47B 13/10; A47B 13/12; A47B 17/00; A47B 21/00; A47B 2200/0001; A47B 2200/0011; A47B 2200/002

See application file for complete search history.

(56) **References Cited**

U.S. PATENT DOCUMENTS

3,044,840 A * 7/1962 Hamilton A47B 3/0812 108/158
 4,494,465 A * 1/1985 Fick, Jr. A47B 3/083 108/131

D290,560 S * 6/1987 Carrabba D6/686
 4,887,536 A * 12/1989 Teichner A47B 3/10 108/38
 D394,361 S 5/1998 Adams et al.
 D437,145 S * 2/2001 Leng D6/691.6
 D456,180 S * 4/2002 Satoshi D6/691.6
 D515,841 S * 2/2006 Hsu D6/691.6
 D757,471 S * 5/2016 Domingo D6/691
 D777,486 S 1/2017 Lin
 D884,399 S * 5/2020 Tan D6/686
 D909,786 S * 2/2021 Wavomba D6/406.6
 D916,539 S * 4/2021 Zhou D6/686

OTHER PUBLICATIONS

Xeternity Folding Table, posted on amazon.com, first available Apr. 23, 2021, online, retrieved Feb. 25, 2023, URL:[https://www.amazon.com/Adjustable-Portable-Foldable-Aluminum-Lightweight/dp/B093B5TGF3/ref=sr_1_169_ssapa?crid=2LXAW088UR0VN&keyword=\(Year:2021\).](https://www.amazon.com/Adjustable-Portable-Foldable-Aluminum-Lightweight/dp/B093B5TGF3/ref=sr_1_169_ssapa?crid=2LXAW088UR0VN&keyword=(Year:2021).)*
 Anbte Folding Table, posted on amazon.com, first available Sep. 22, 2021, online, retrieved Feb. 25, 2023, URL:[https://www.amazon.com/Carrying-Anbte-Adjustable-Lightweight-Waterproof/dp/B09F96VQRF/ref=sr_1_4?crid=2LXAW088UR0VN&keywords=foldin...1\(Year:2021\).](https://www.amazon.com/Carrying-Anbte-Adjustable-Lightweight-Waterproof/dp/B09F96VQRF/ref=sr_1_4?crid=2LXAW088UR0VN&keywords=foldin...1(Year:2021).)*
 Mondoshop Folding Table, posted on amazon.com, first available Feb. 20, 2023, online, retrieved Feb. 25, 2023, URL:[https://www.amazon.com/Mondoshop-Portable-Adjustable-Lightweight-Foldable/dp/B0BW8X6F49/ref=sr_1_183?crid=2LXAW088UR0VN&keywords=f\(Year:2023\).](https://www.amazon.com/Mondoshop-Portable-Adjustable-Lightweight-Foldable/dp/B0BW8X6F49/ref=sr_1_183?crid=2LXAW088UR0VN&keywords=f(Year:2023).)*

* cited by examiner

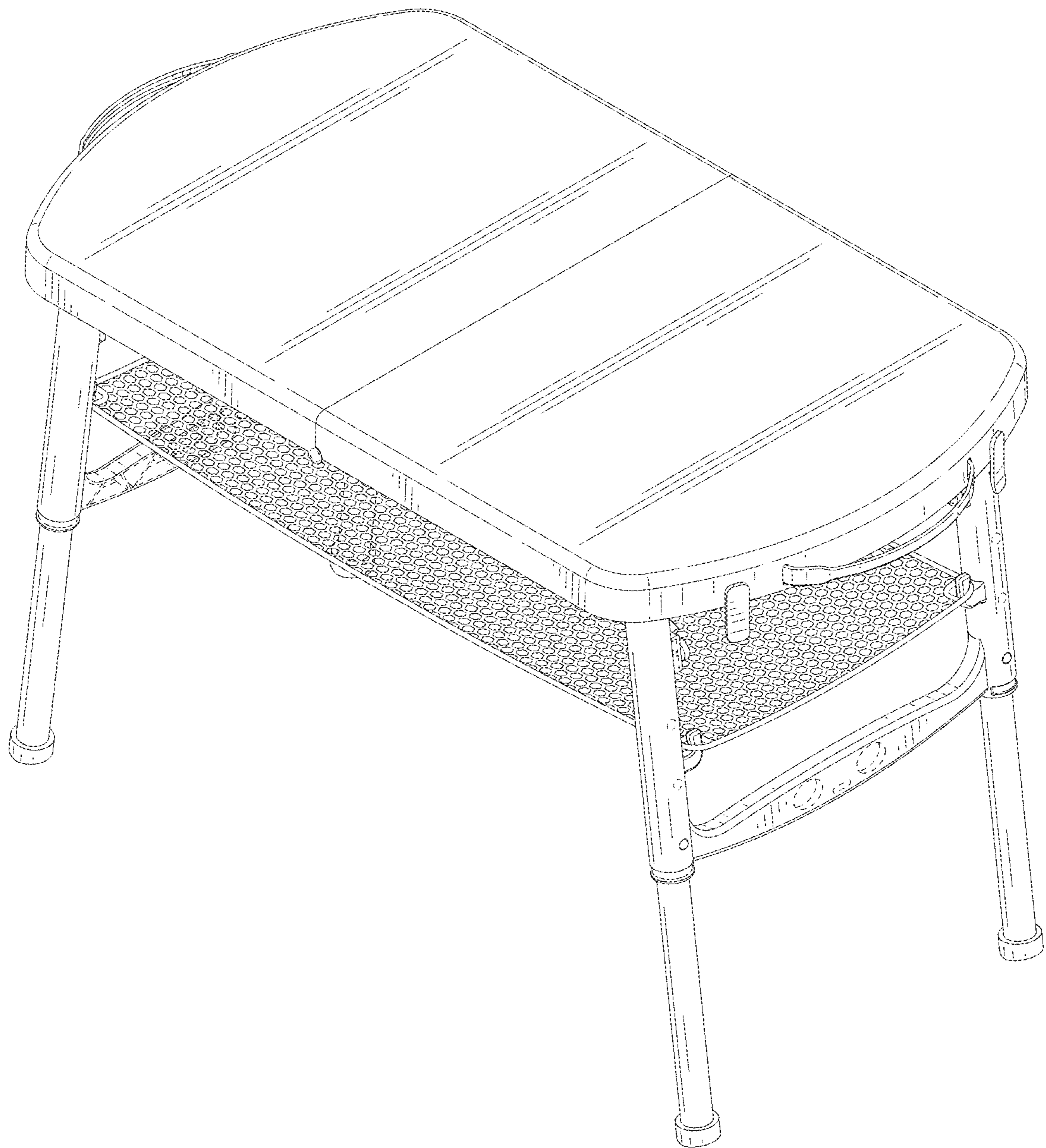


FIG. 1

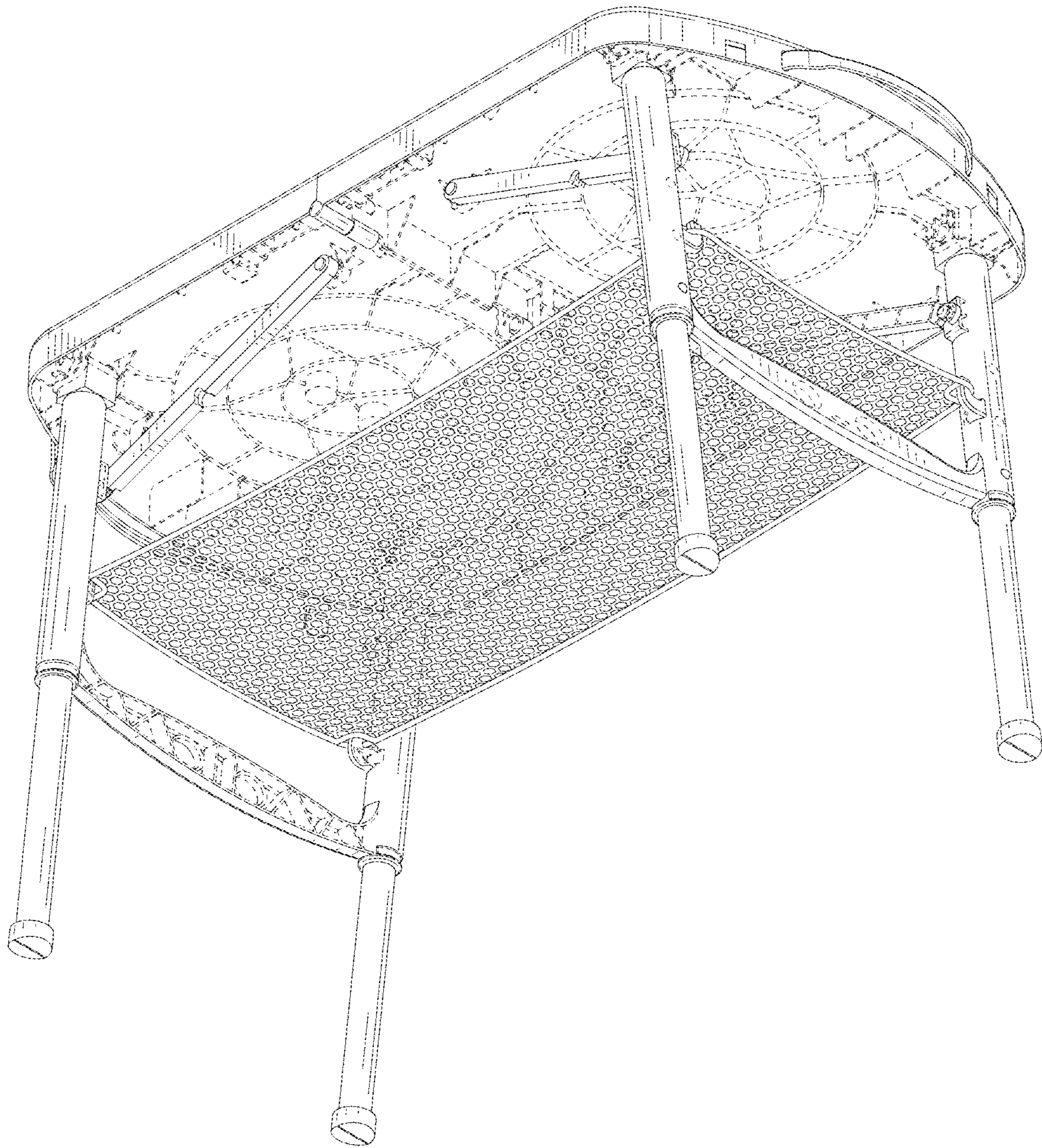


FIG. 2

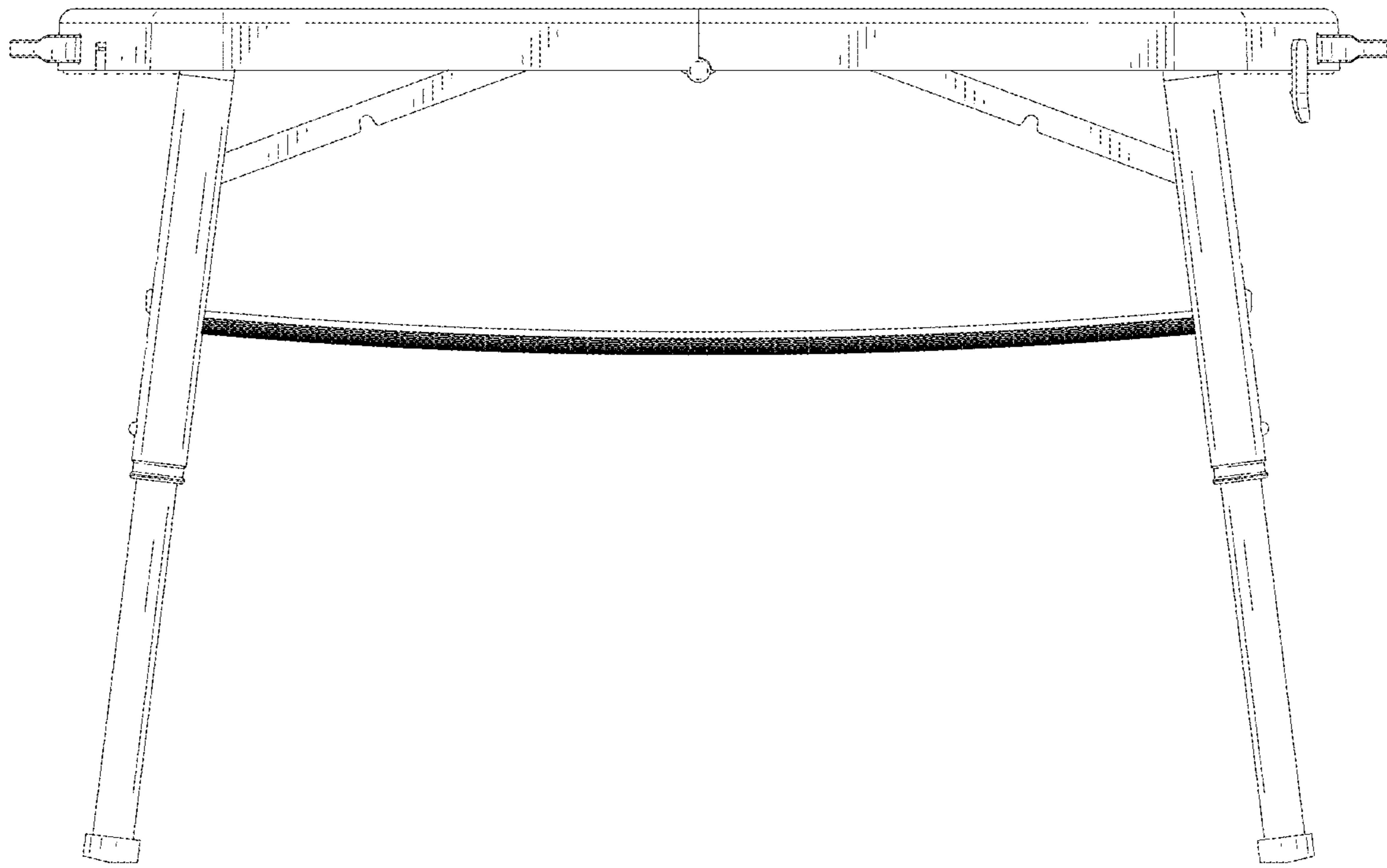


FIG. 3

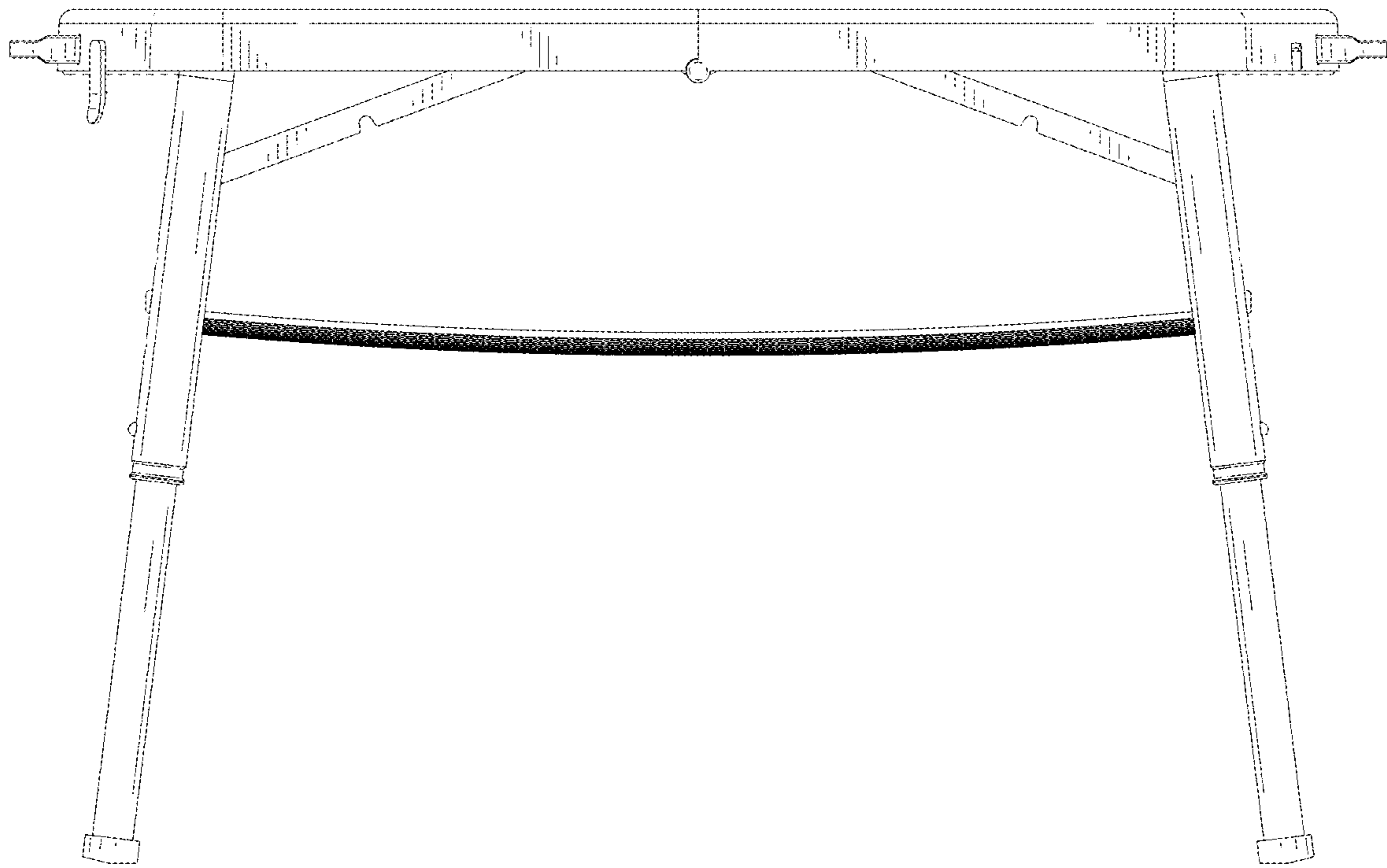


FIG. 4

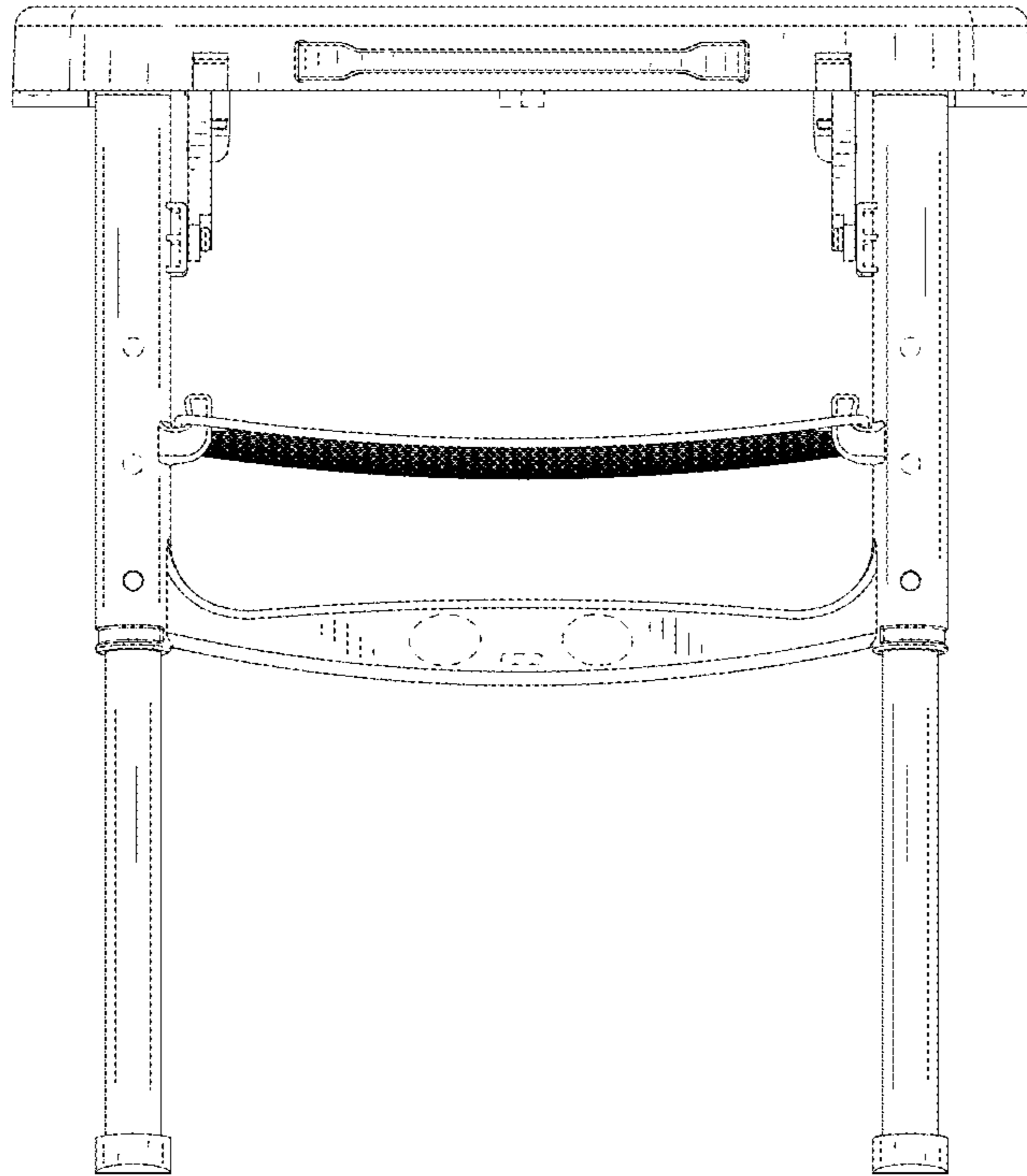


FIG. 5

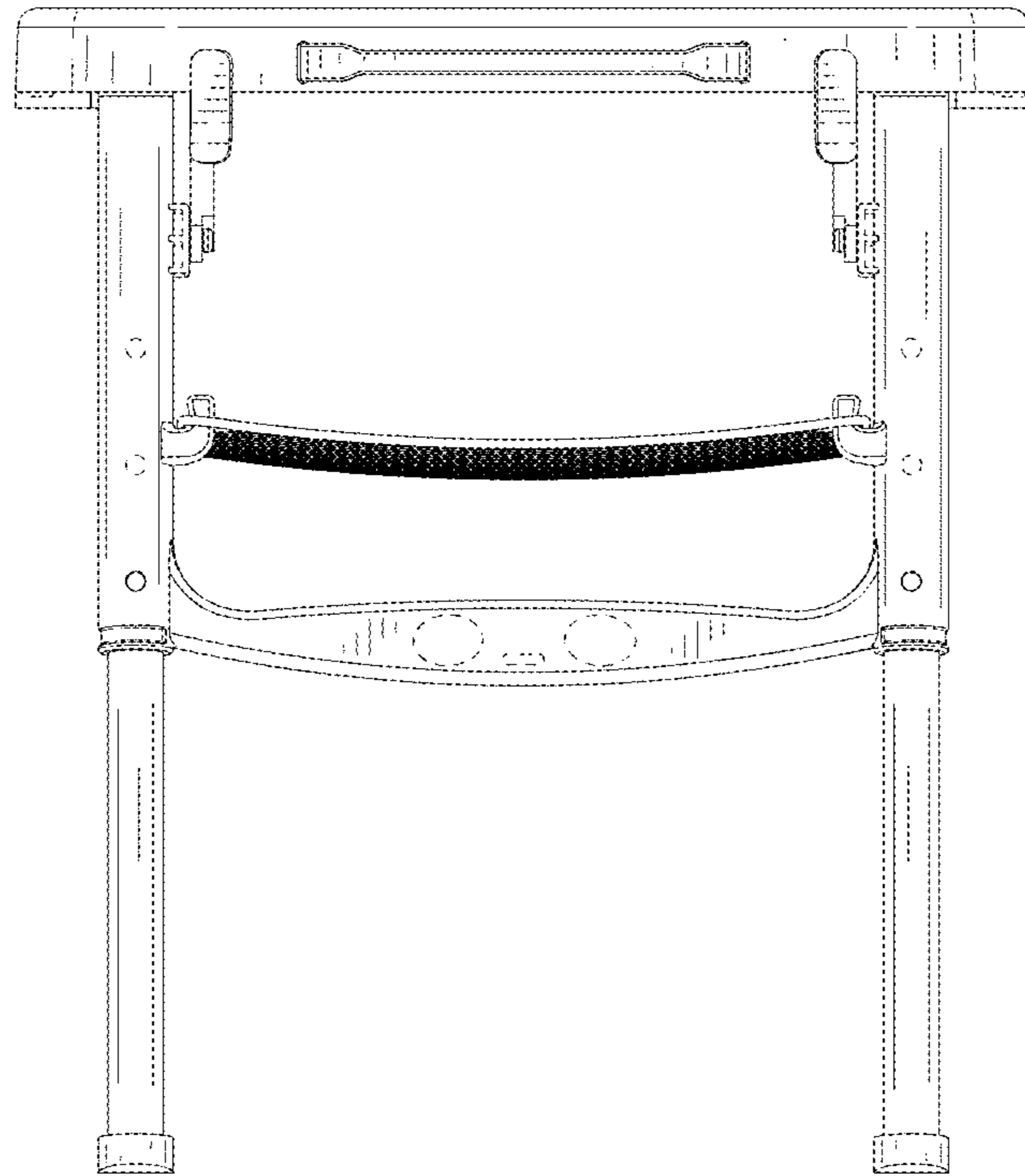


FIG. 6

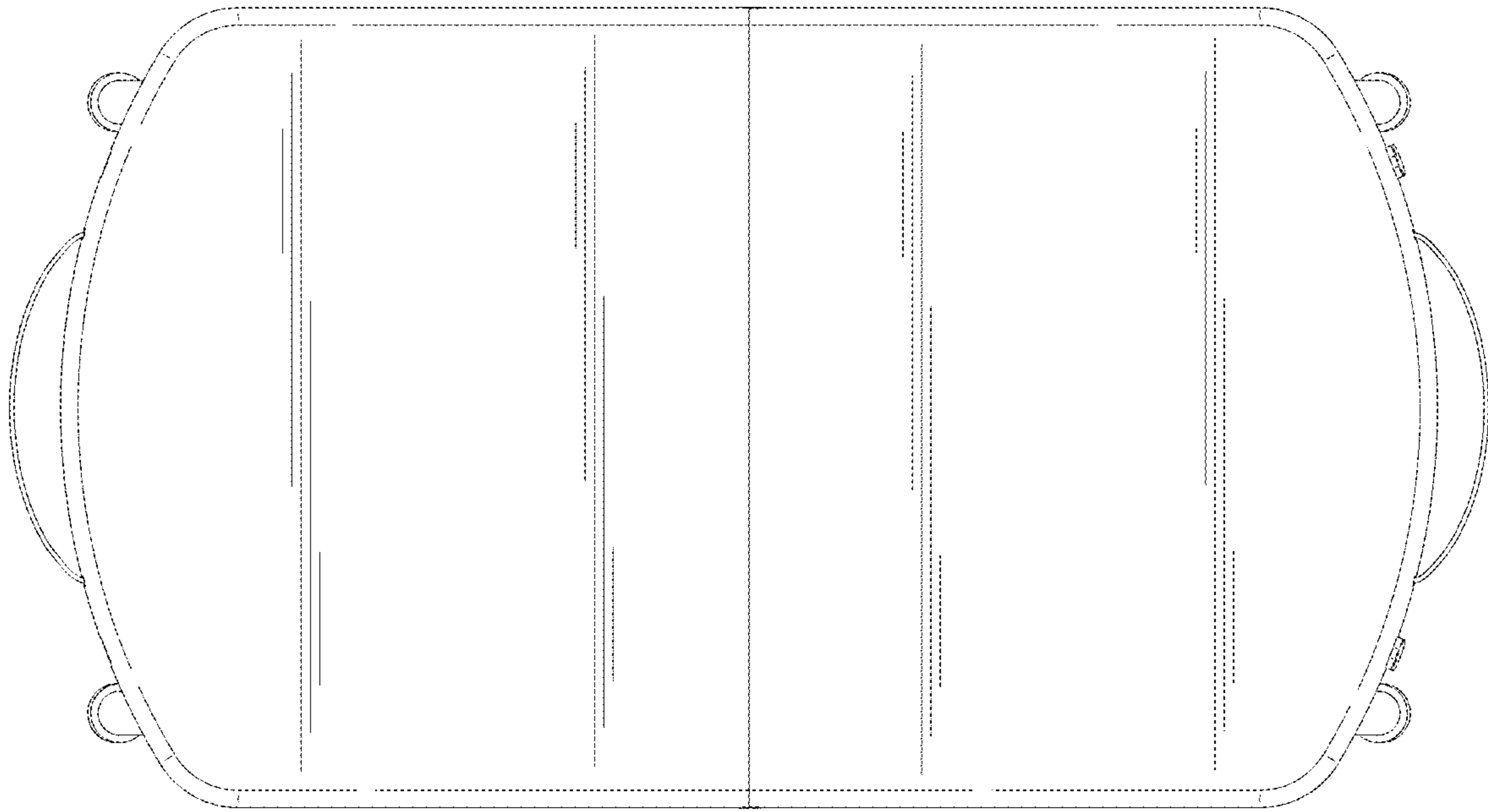


FIG. 7

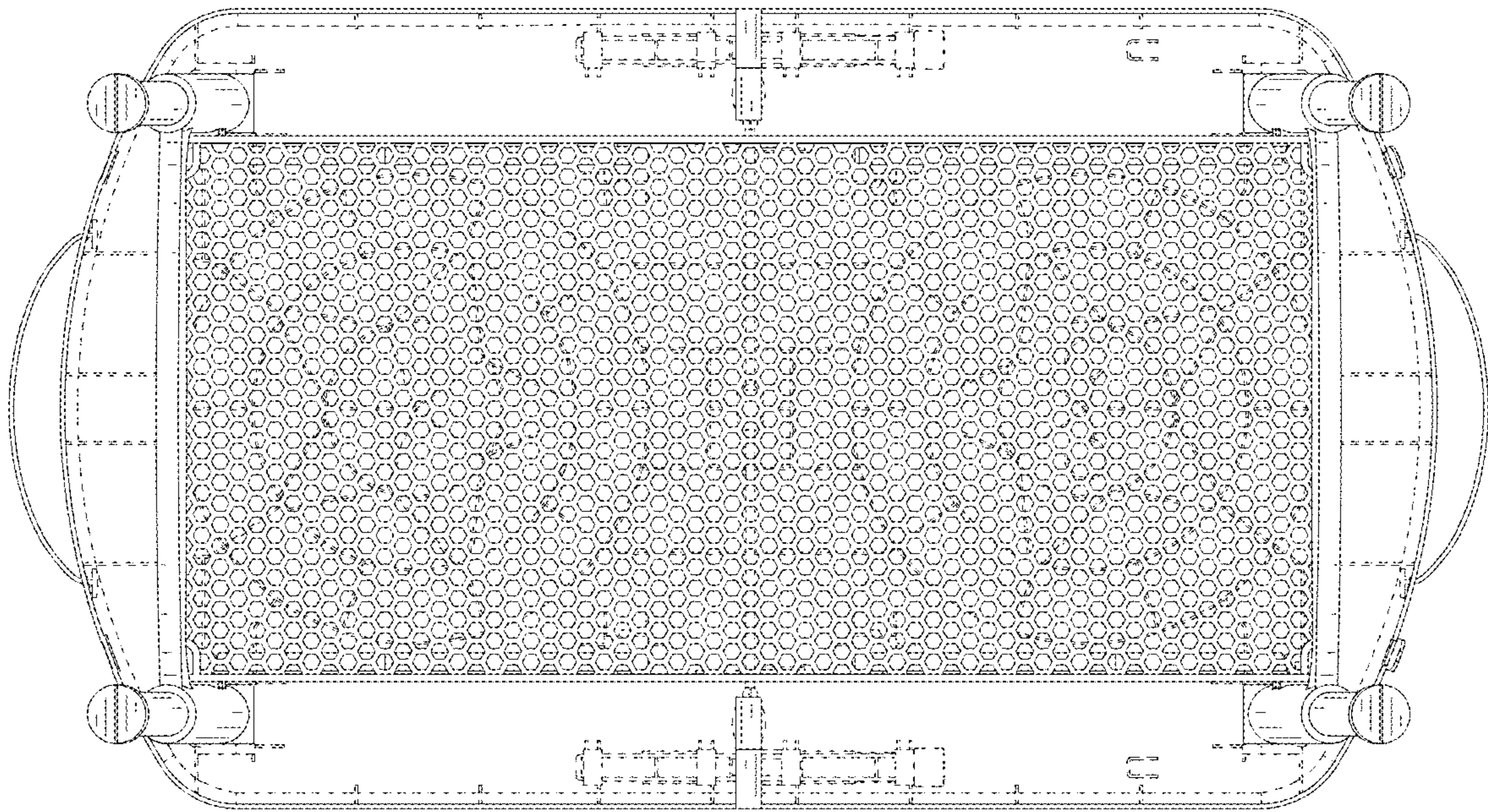


FIG. 8

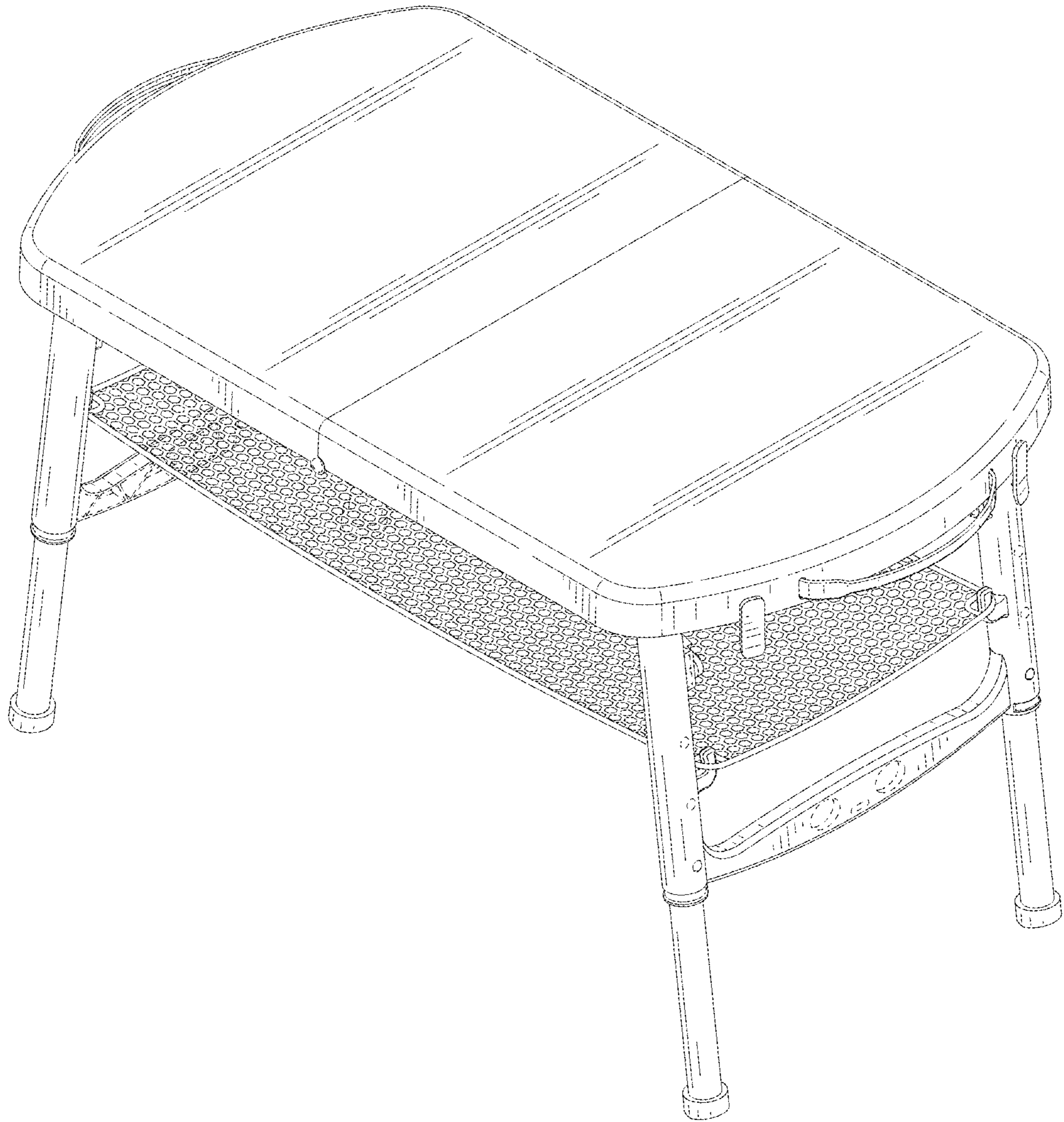


FIG. 9

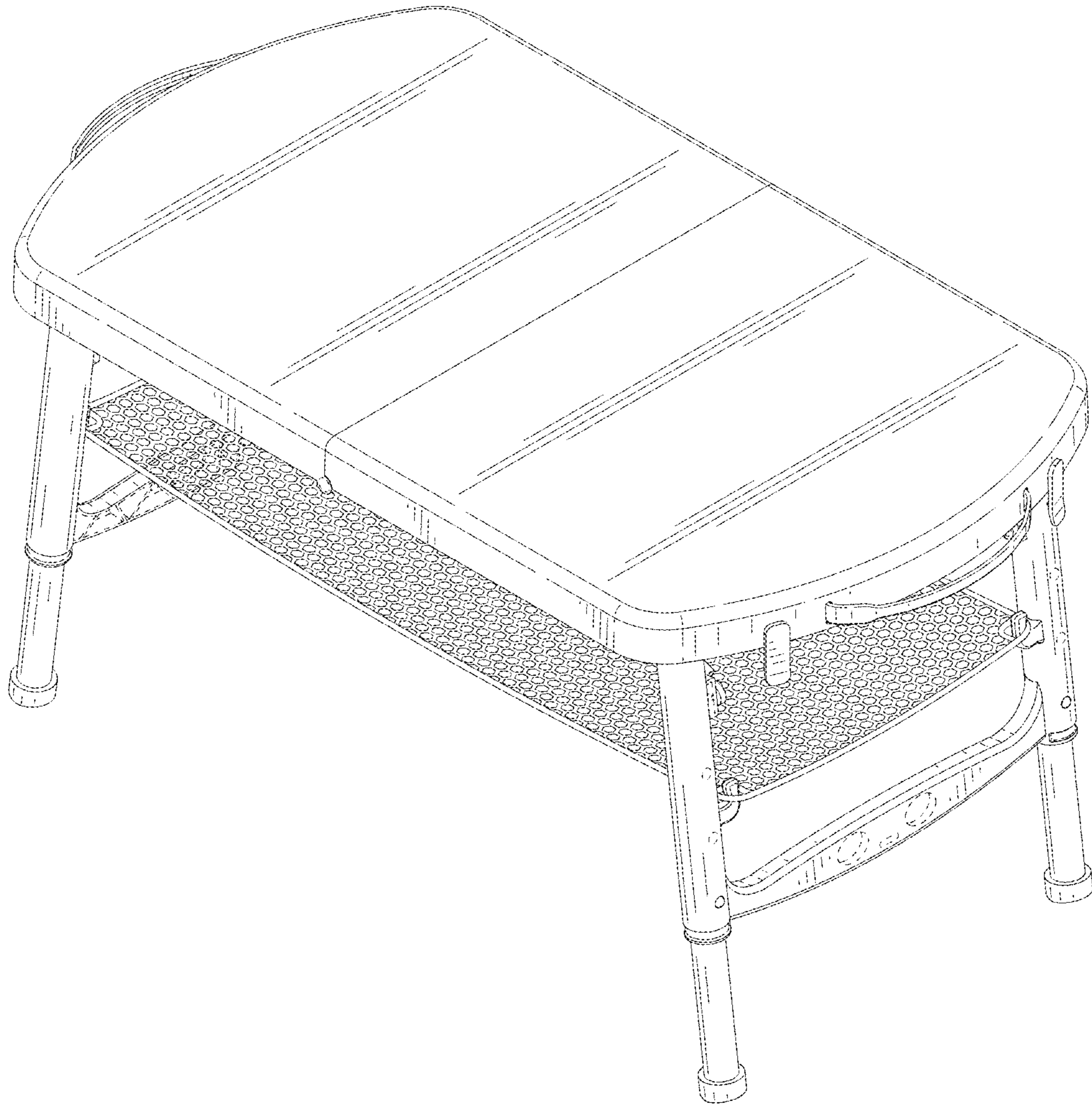


FIG. 10

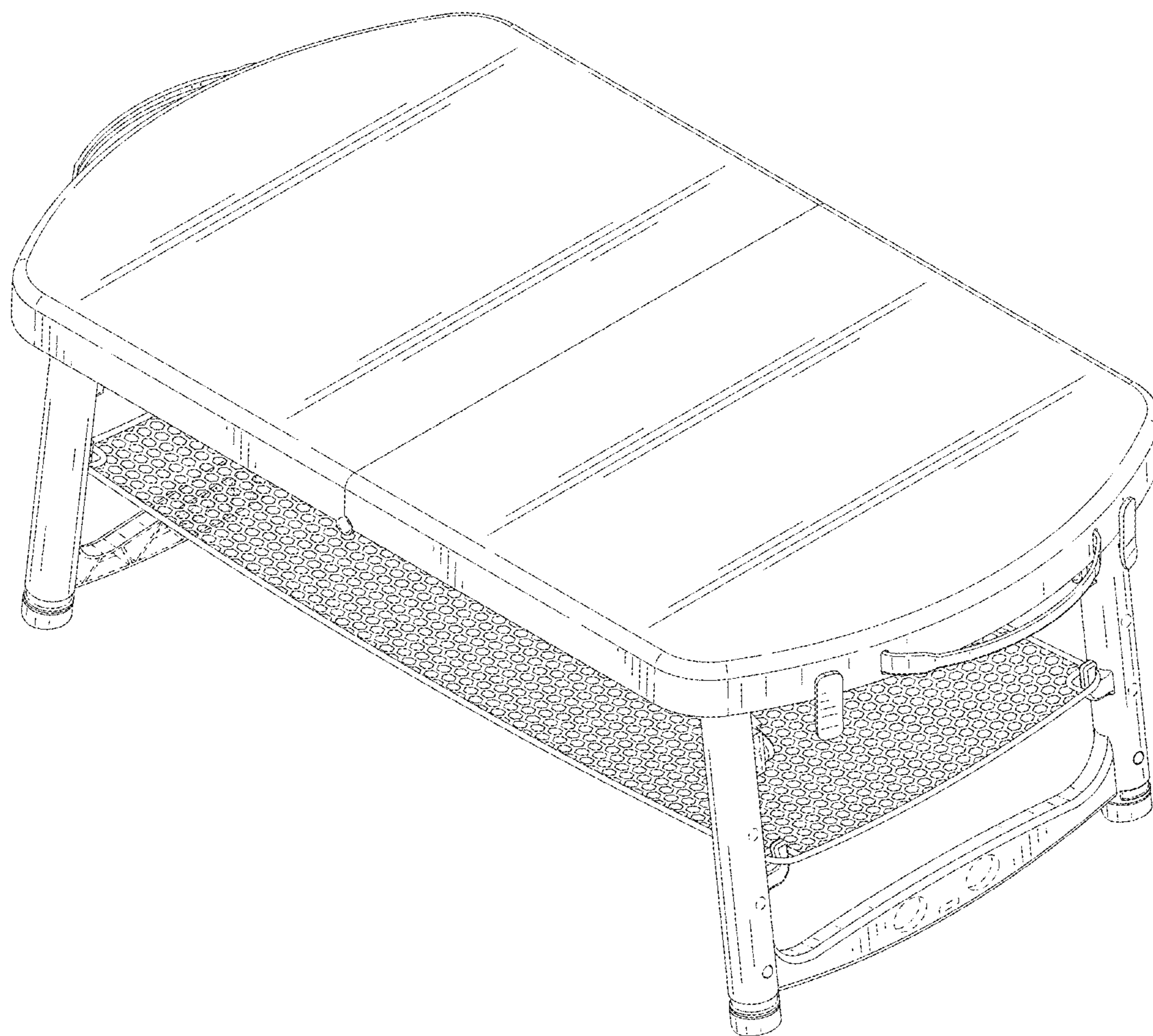


FIG. 11

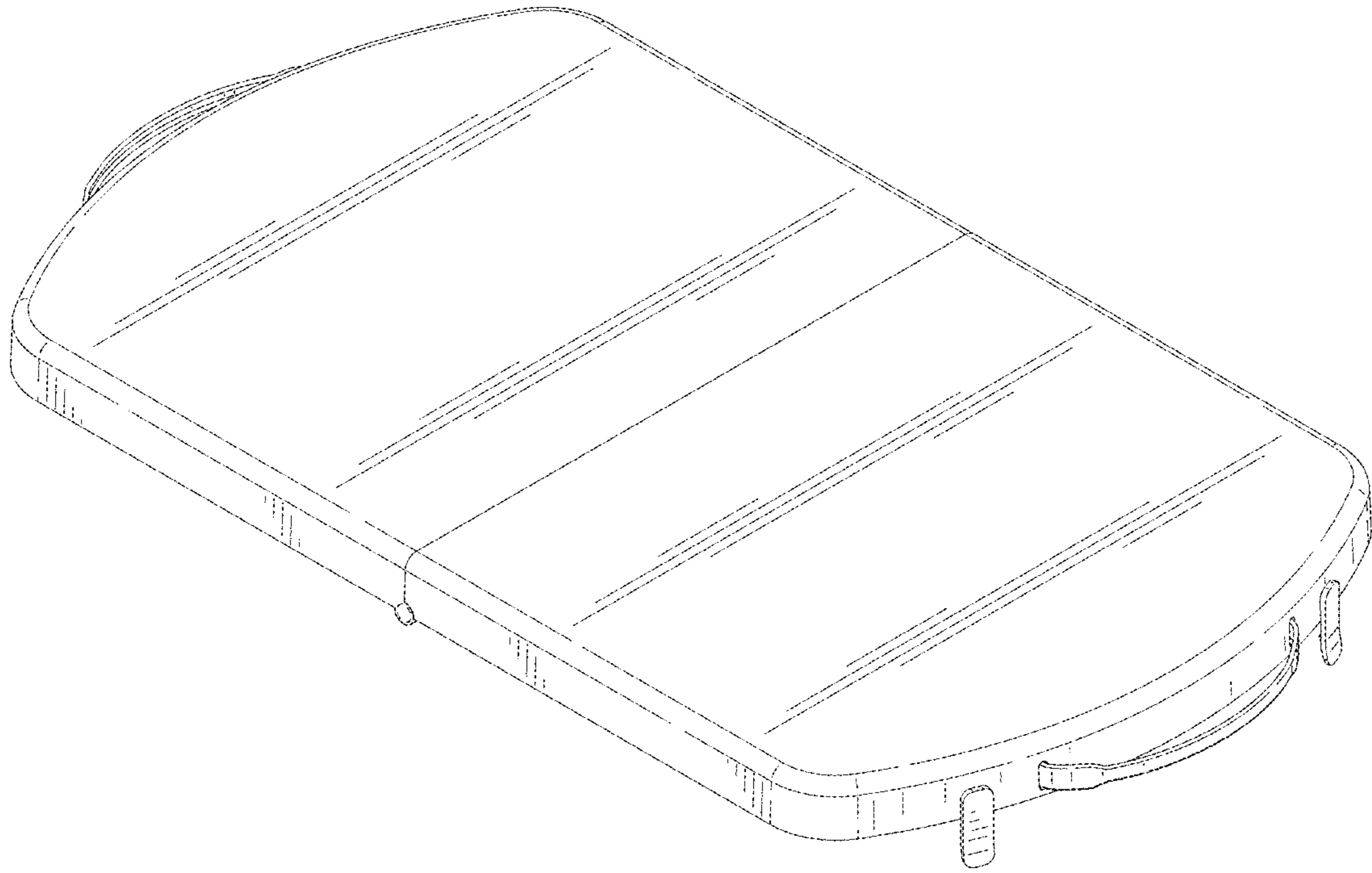


FIG. 12

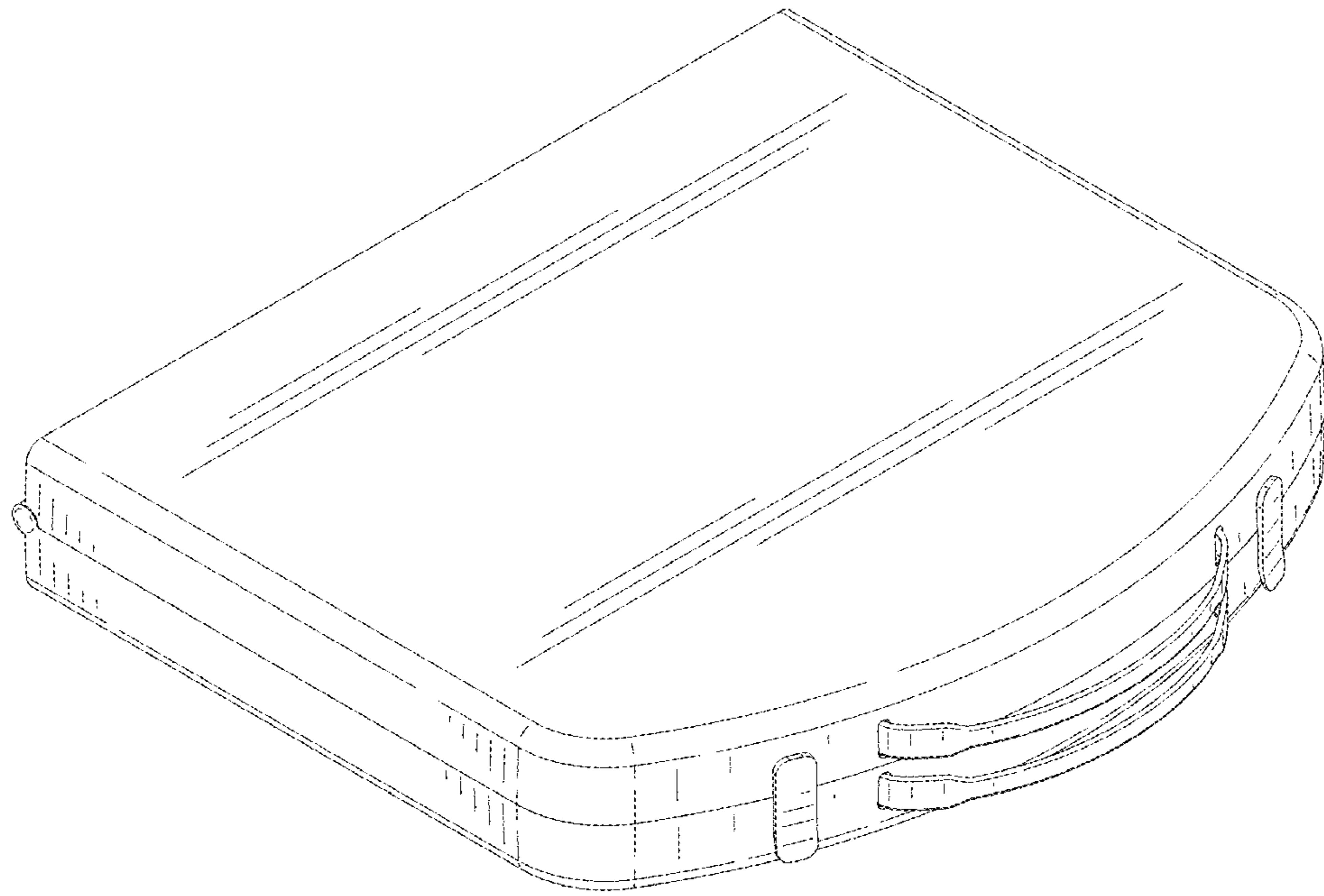


FIG. 13

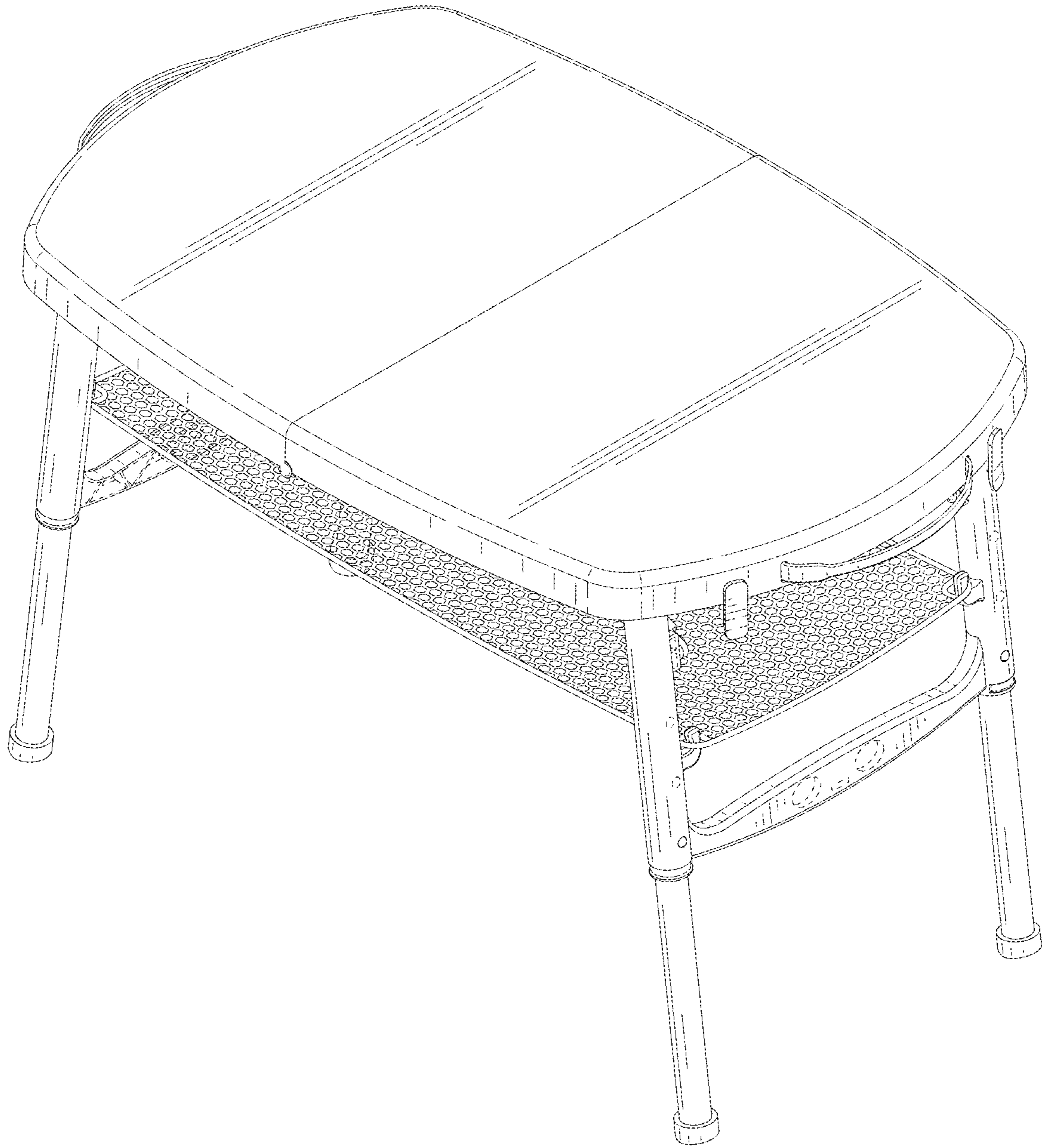


FIG. 14

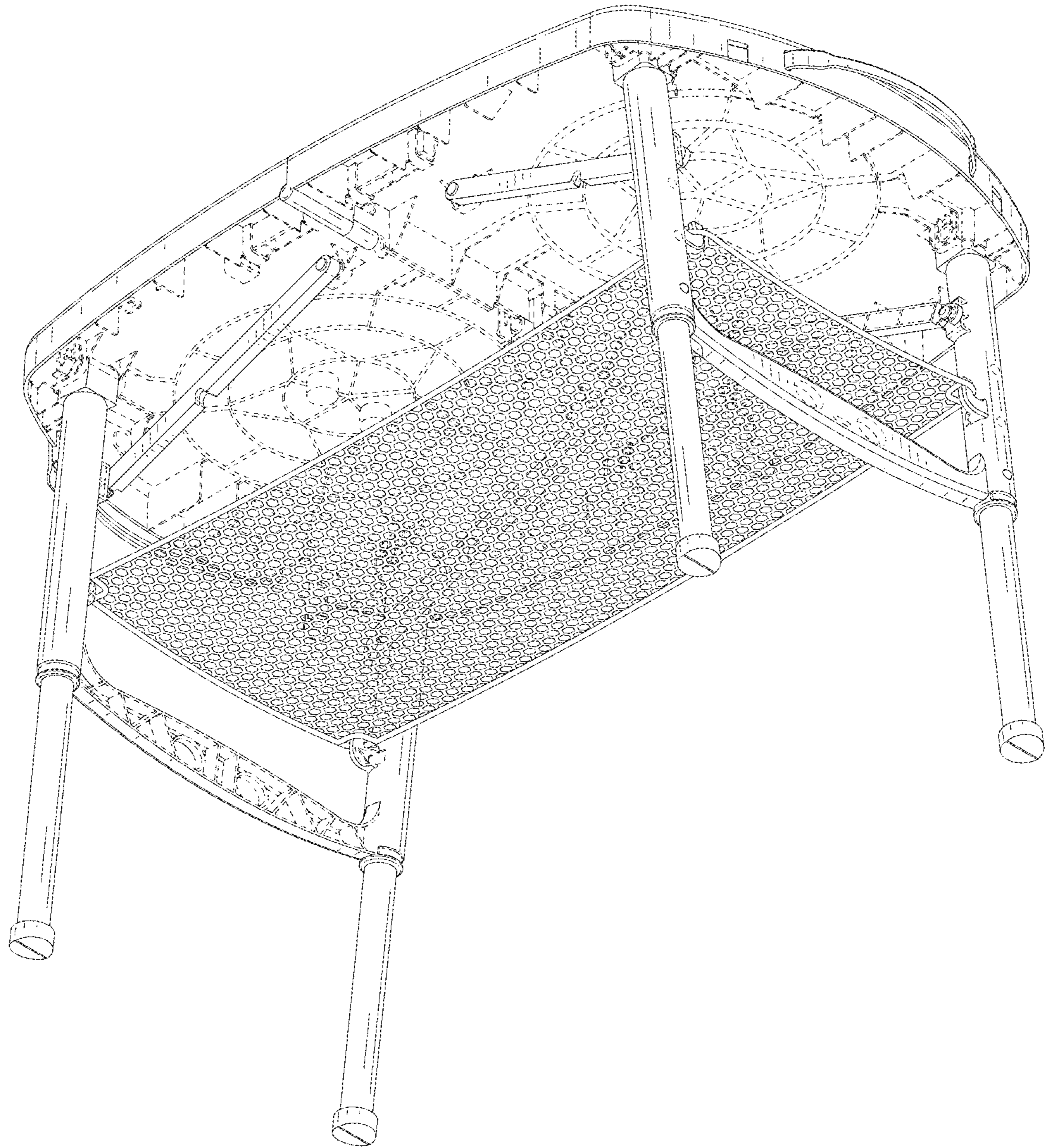


FIG. 15

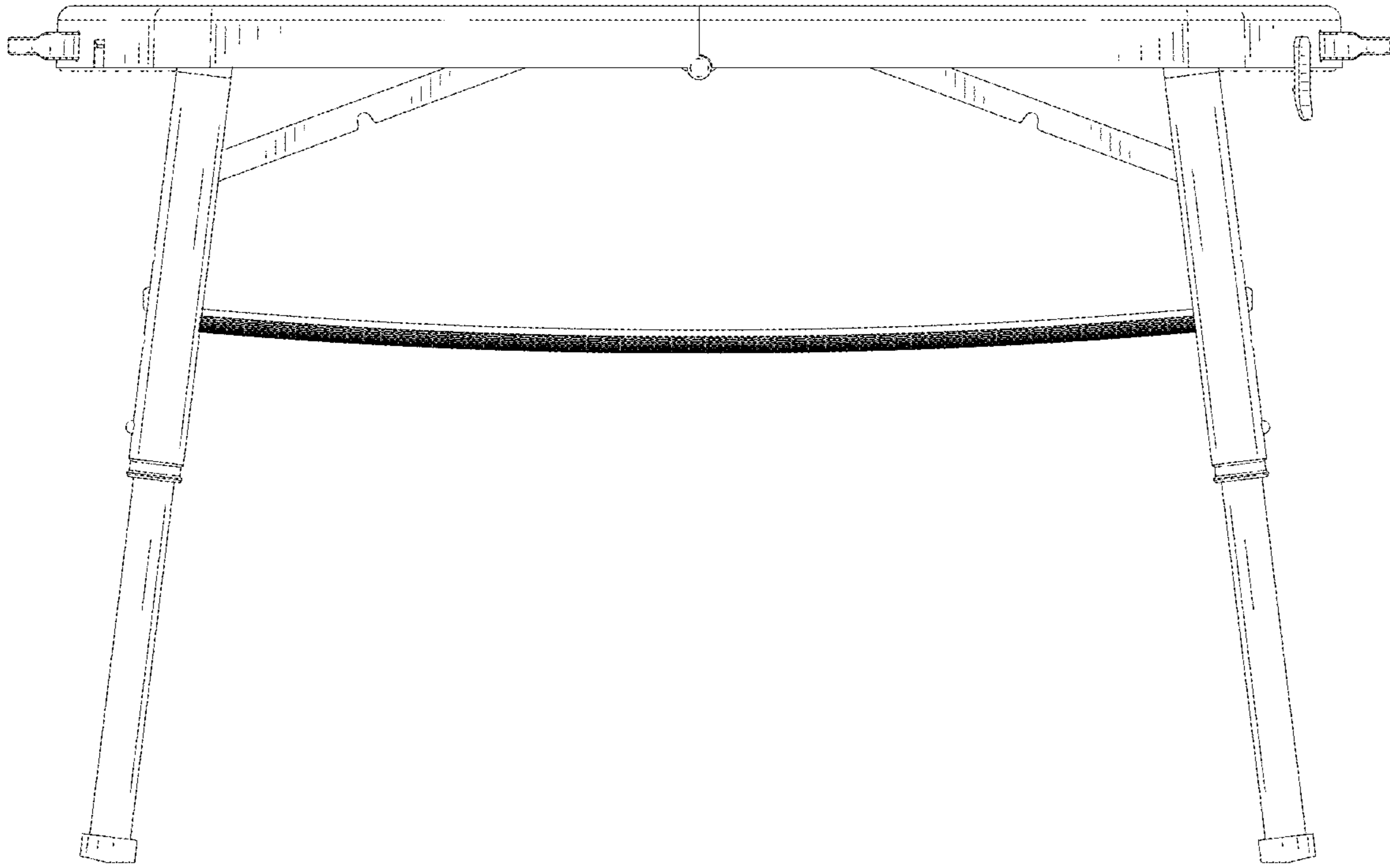


FIG. 16

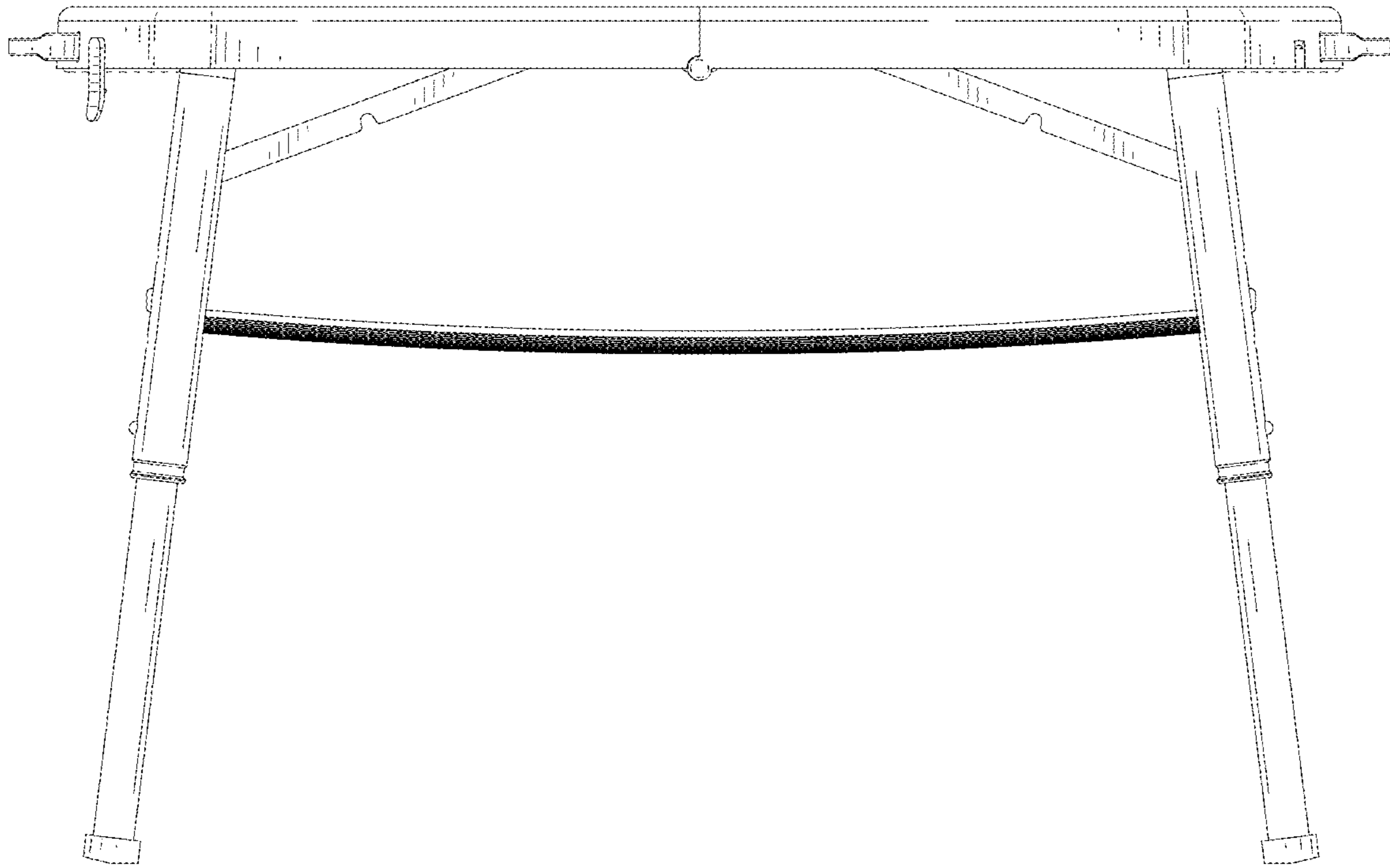


FIG. 17

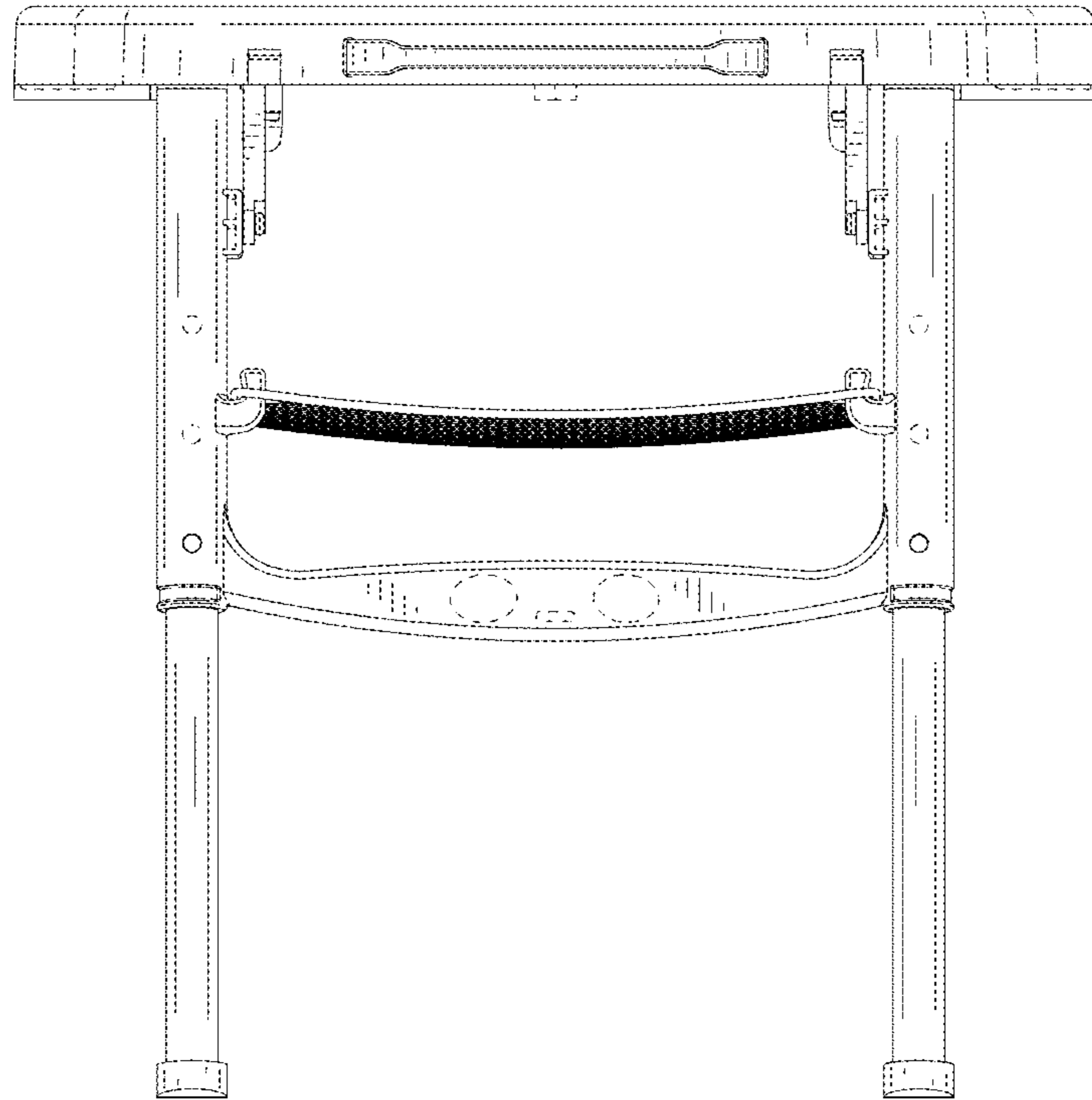


FIG. 18

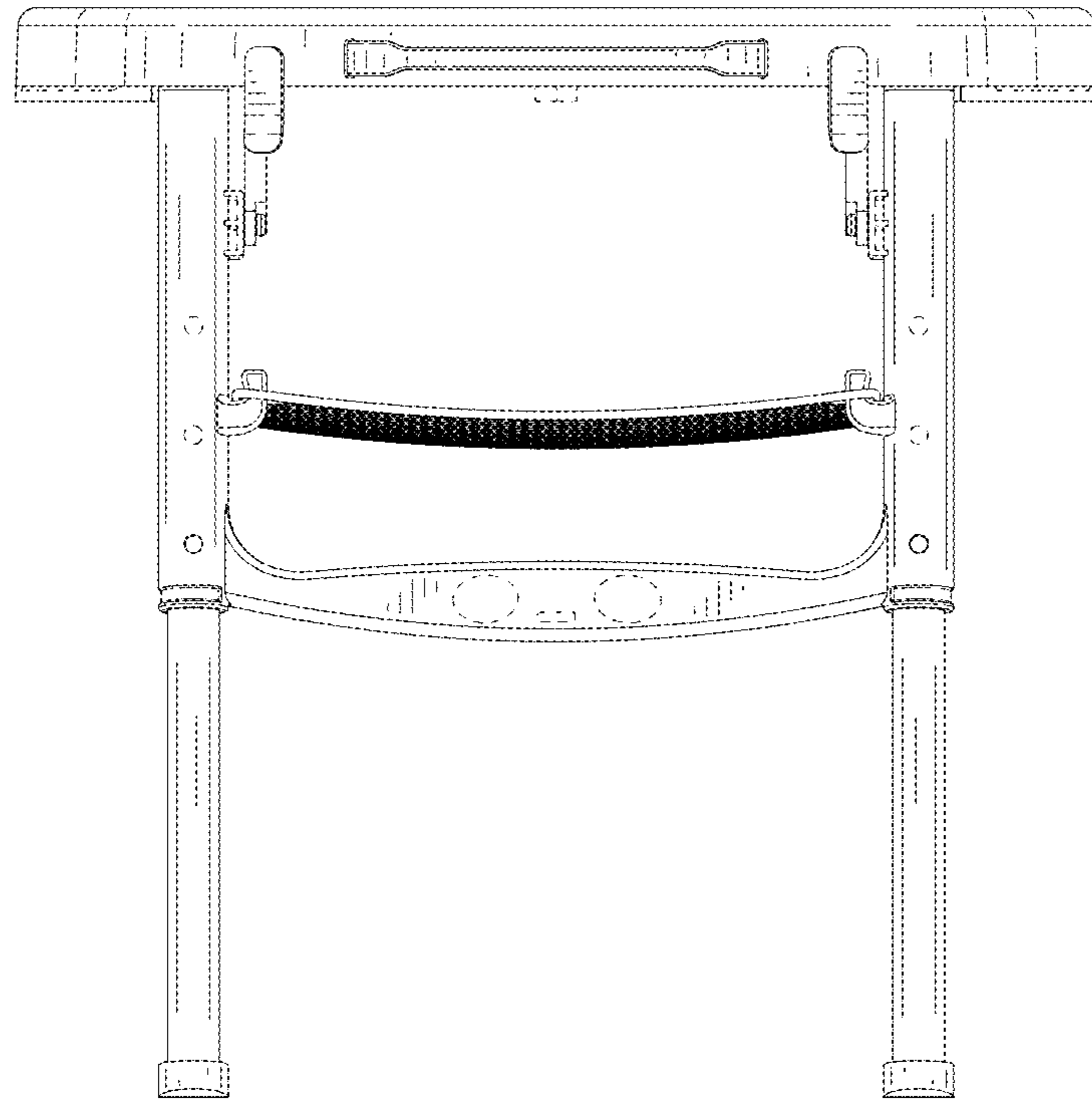


FIG. 19

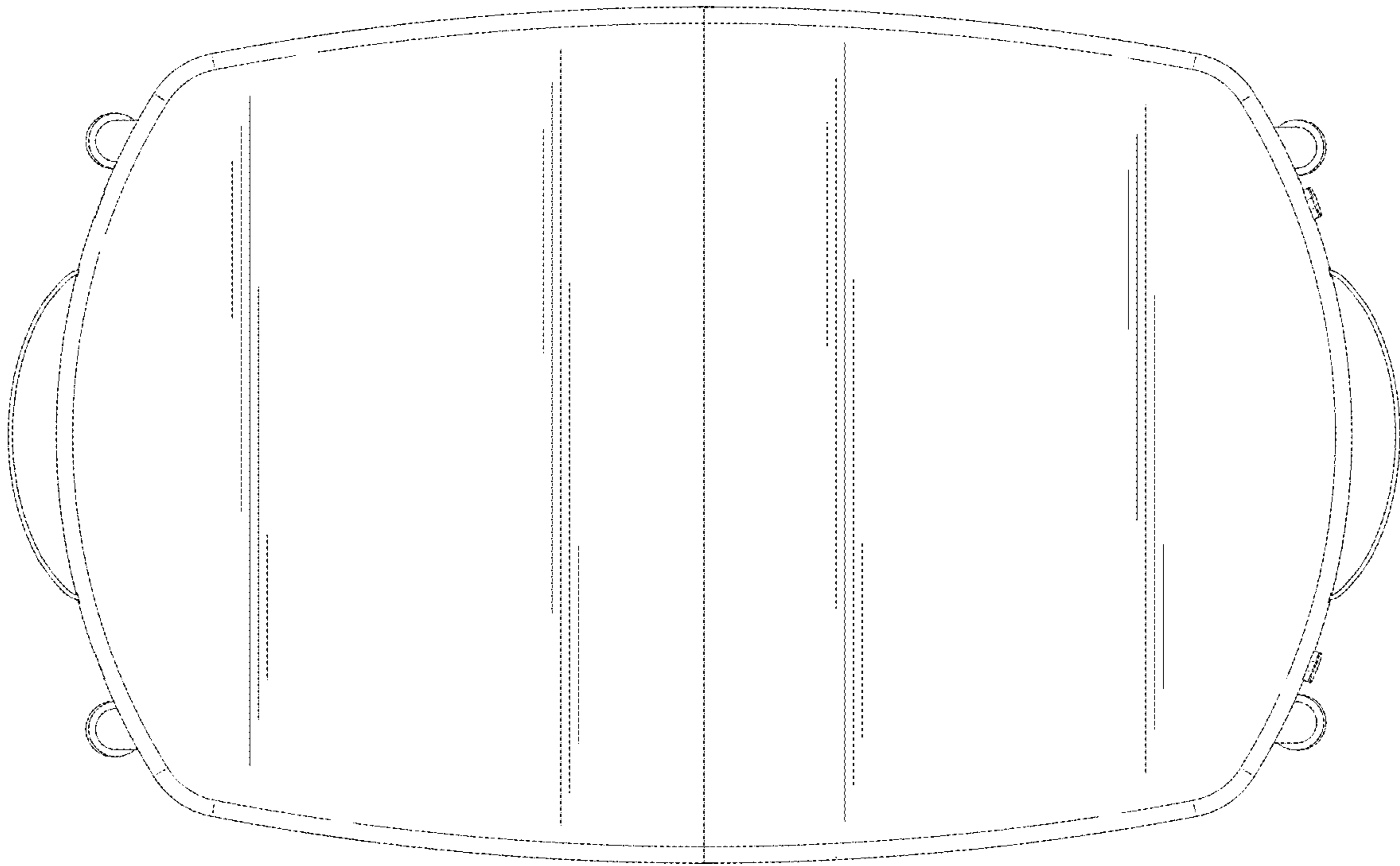


FIG. 20

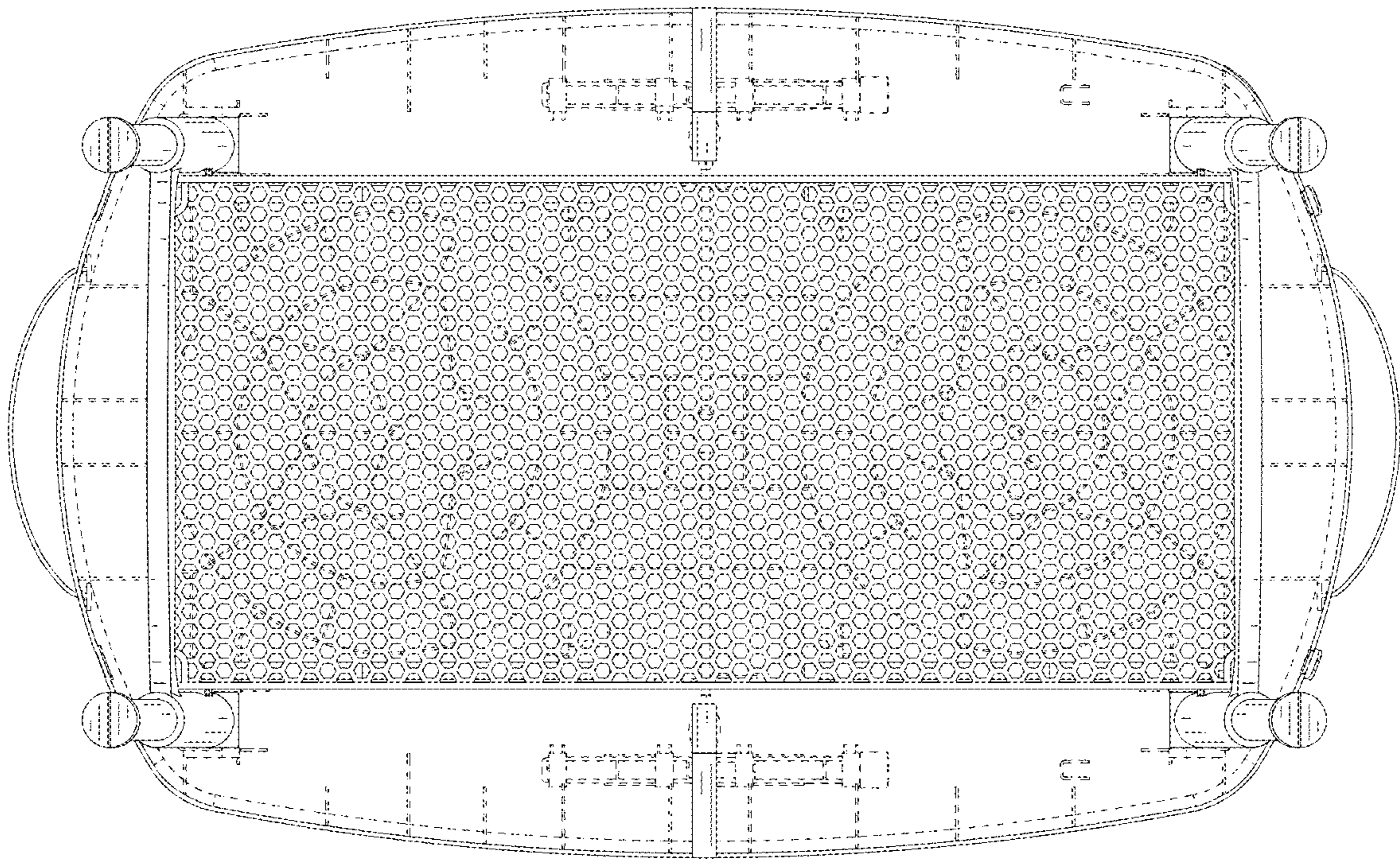


FIG. 21

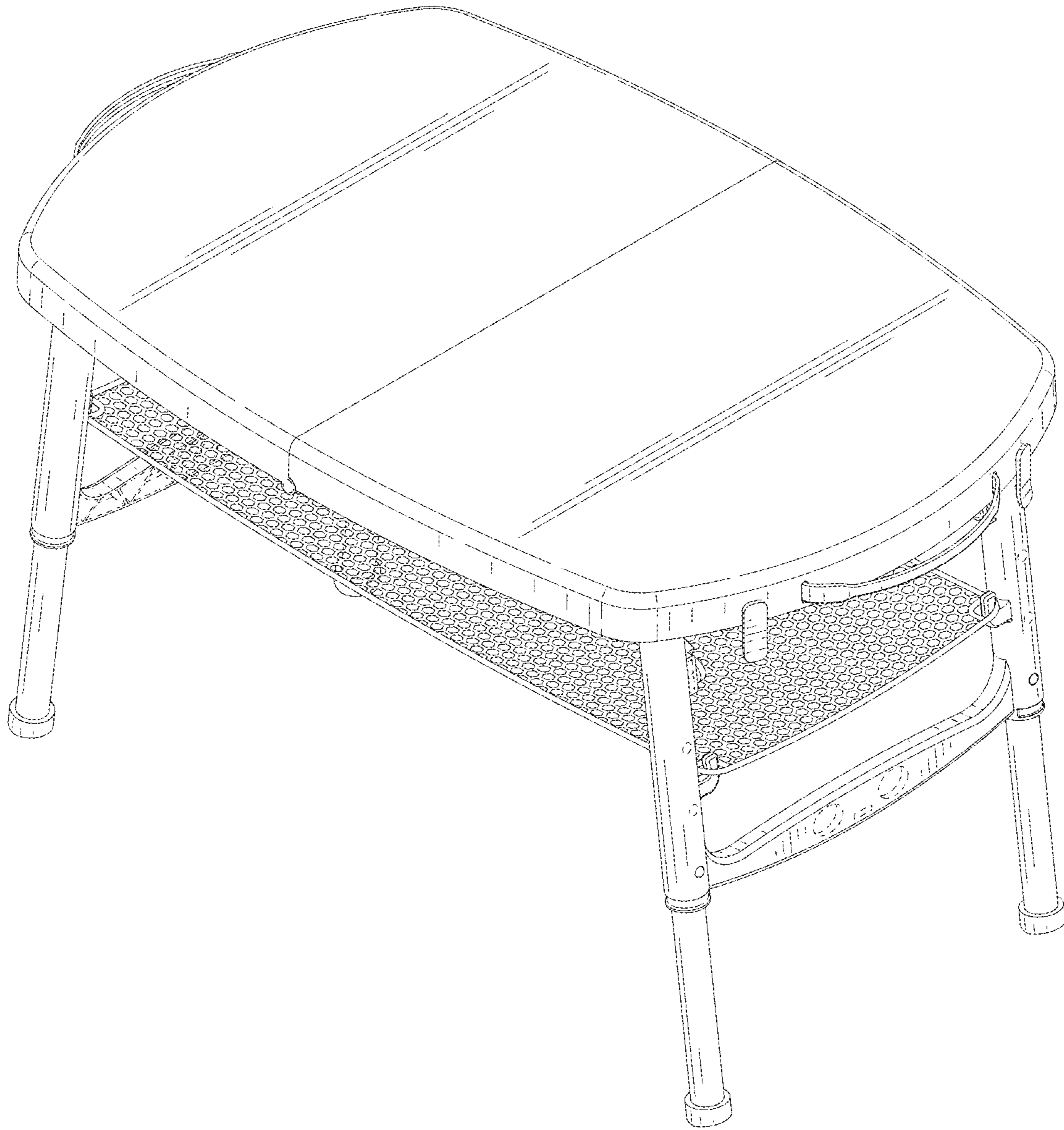


FIG. 22

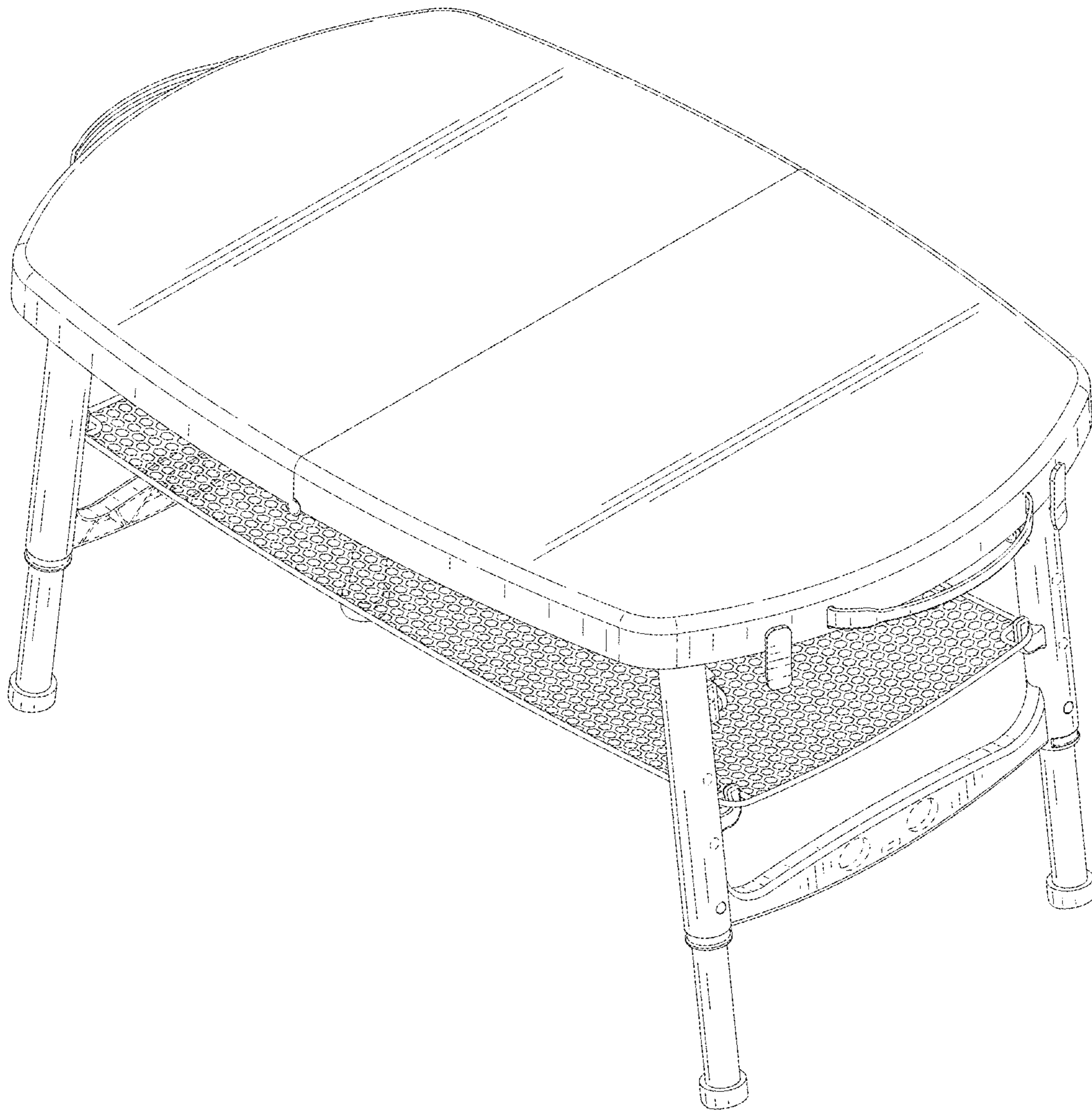


FIG. 23

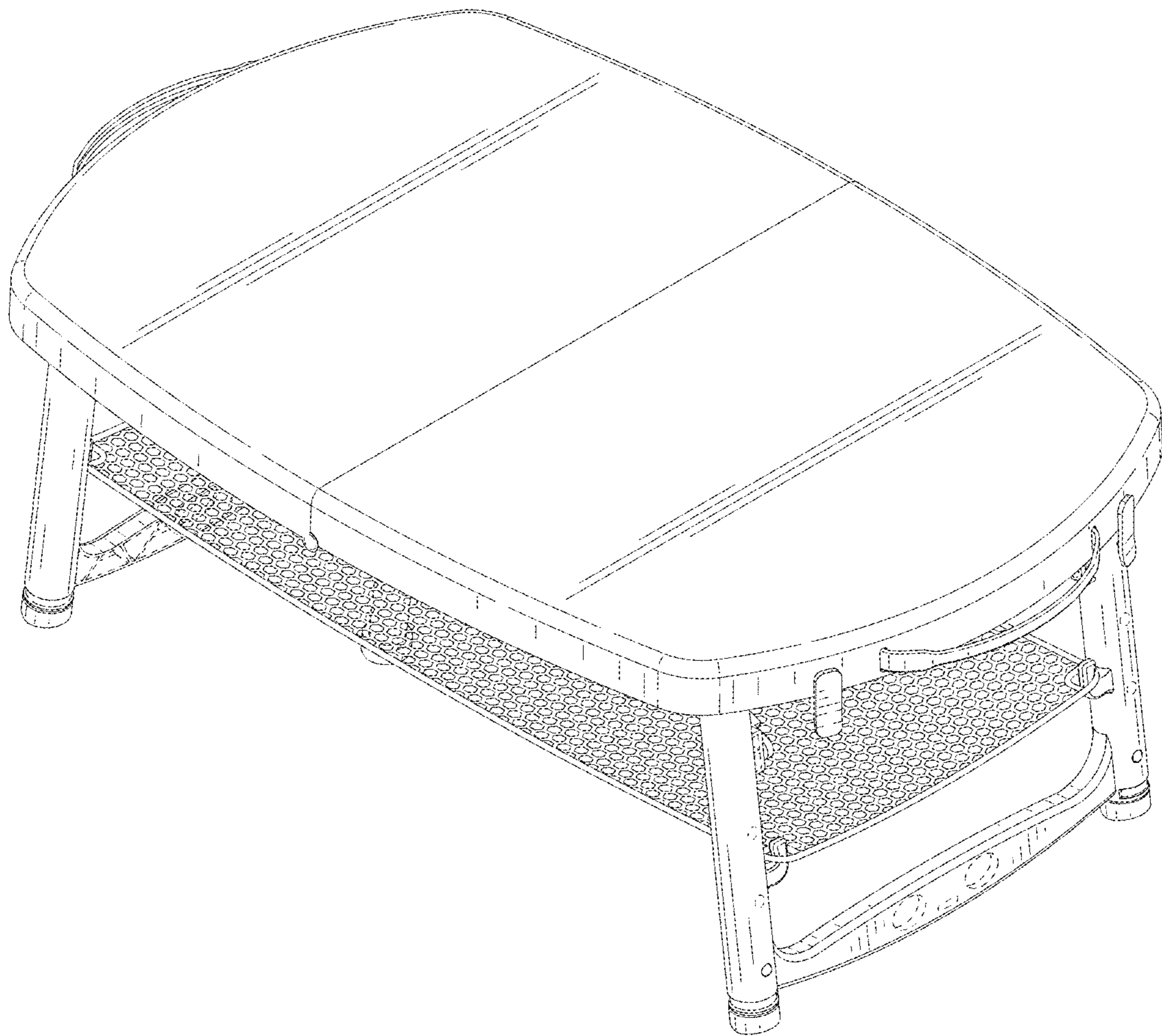


FIG. 24

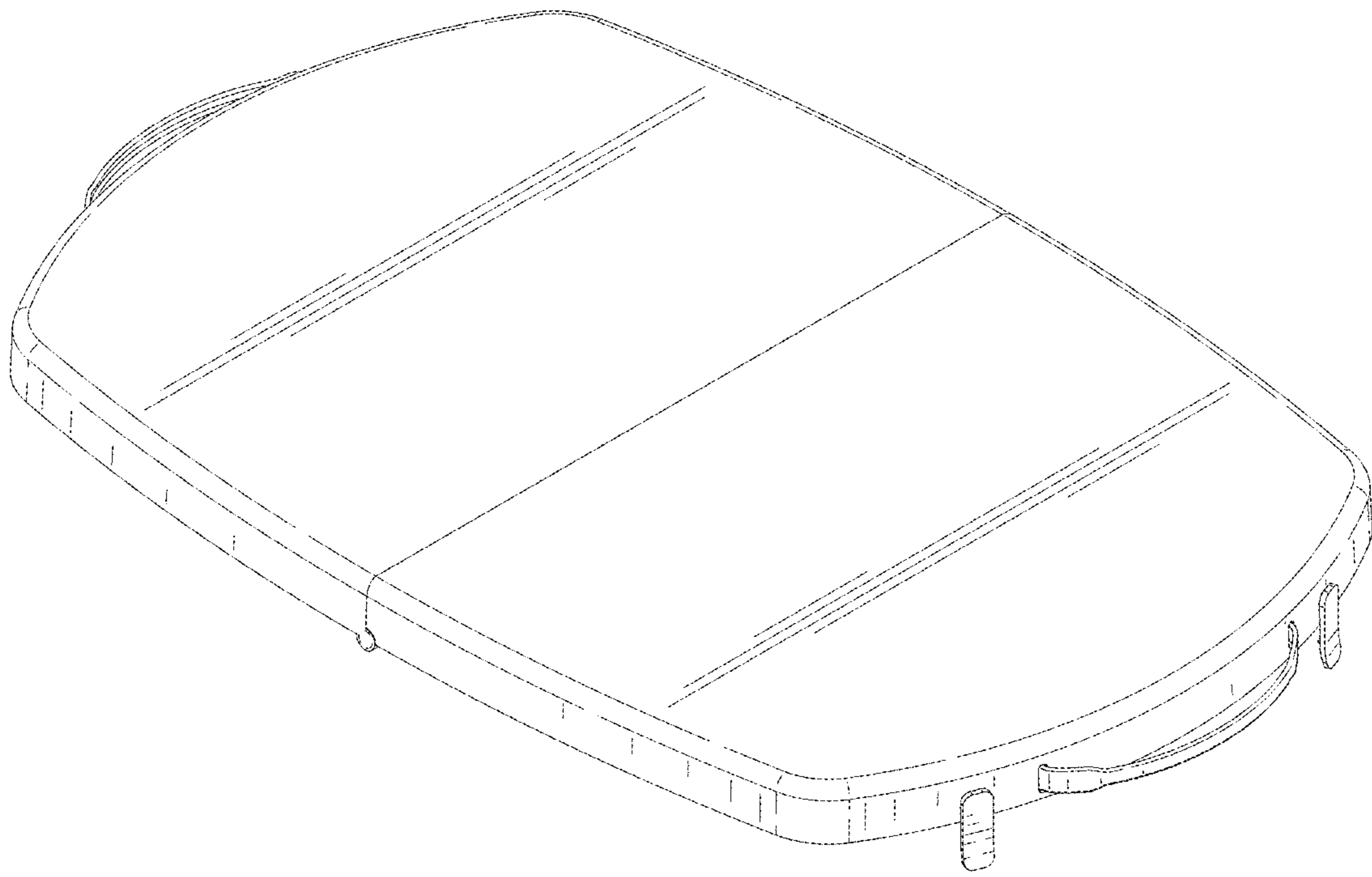


FIG. 25

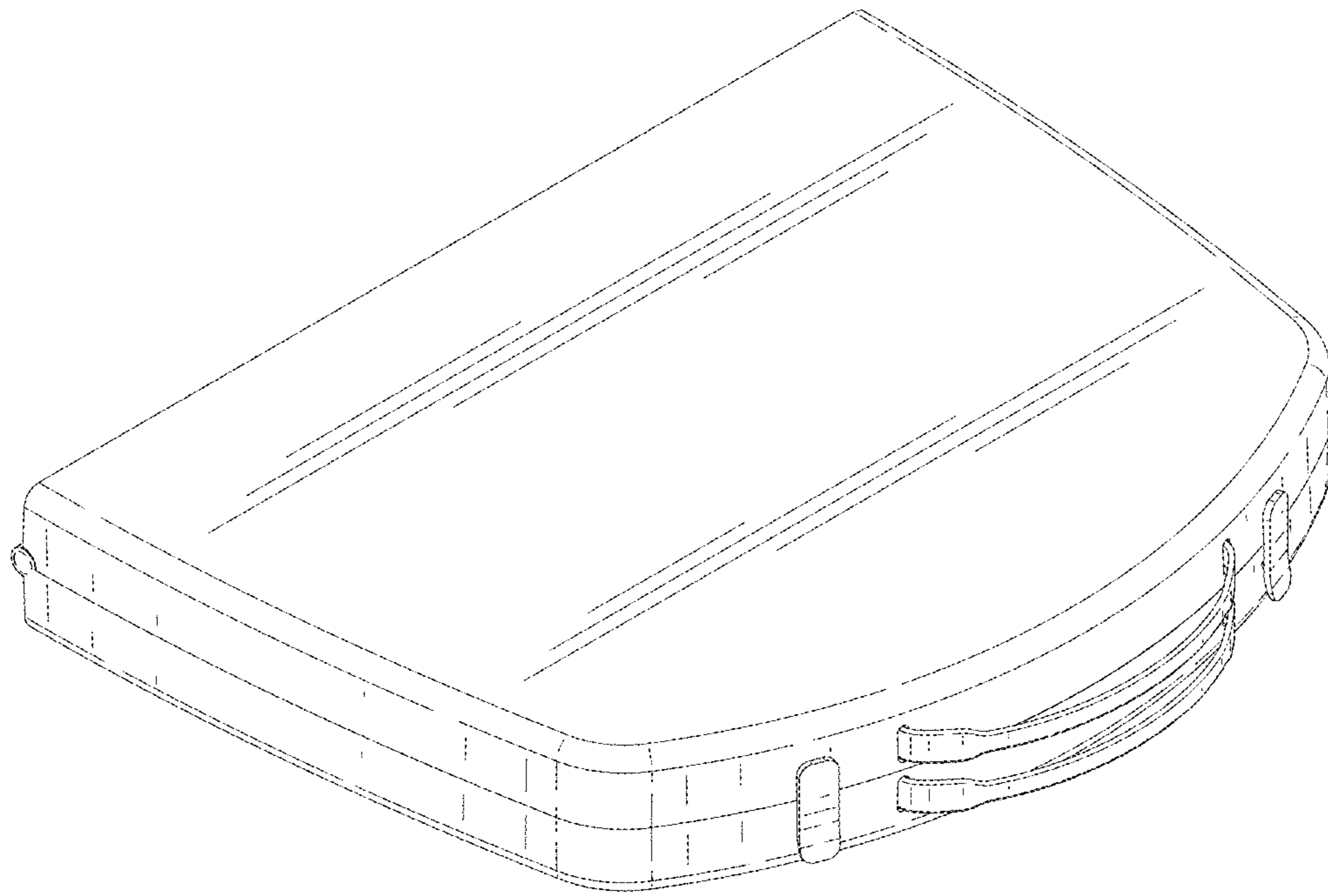


FIG. 26