



US00D988764S

(12) **United States Design Patent**
Angel et al.

(10) **Patent No.:** **US D988,764 S**
(45) **Date of Patent:** **** Jun. 13, 2023**

(54) **FOLDING TABLE**

(71) Applicants: **Bruce Andrew Angel**, Stokesdale, NC (US); **Blake Martin**, Greensboro, NC (US); **Steven L. Spencer**, Lawsonville, NC (US)

(72) Inventors: **Bruce Andrew Angel**, Stokesdale, NC (US); **Blake Martin**, Greensboro, NC (US); **Steven L. Spencer**, Lawsonville, NC (US)

(73) Assignee: **Camco Manufacturing, LLC**, Greensboro, NC (US)

(**) Term: **15 Years**

(21) Appl. No.: **29/781,763**

(22) Filed: **Apr. 30, 2021**

(51) **LOC (14) Cl.** **06-03**

(52) **U.S. Cl.**
USPC **D6/691.1**

(58) **Field of Classification Search**
USPC D6/335, 349, 690, 691, 691.1, 691.3, D6/691.5, 691.8, 691.9, 692, 692.1, 697, D6/685, 707.18
CPC .. A47C 13/00; A47B 3/14; A47B 3/02; A47B 3/00; A47B 5/04

See application file for complete search history.

(56) **References Cited**

U.S. PATENT DOCUMENTS

- 1,064,254 A * 6/1913 Ricciardson A47B 3/087 108/171
- 1,302,589 A * 5/1919 Piasecki A47B 3/02 108/120
- 4,229,038 A * 10/1980 Drost A47C 4/14 108/174
- D388,638 S * 1/1998 Ludlam D6/692
- D394,361 S * 5/1998 Adams D6/691.1

- D407,235 S * 3/1999 Cunningham D6/692.1
- D440,070 S * 4/2001 Goodworth D6/692.1
- 6,231,015 B1 * 5/2001 Kun A47C 13/00 108/118
- D862,951 S * 10/2019 Angel D6/691.1
- 11,166,544 B2 * 11/2021 Goodworth A47B 3/02
- 2002/0078864 A1 * 6/2002 Adams A47B 3/083 108/115
- 2003/0172854 A1 * 9/2003 Adams A47B 3/02 108/115

(Continued)

OTHER PUBLICATIONS

Ozark Trail Quick-Fold Compact Side Table Portobello, available in Walmart.com, customer review date Jul. 2, 2019 [online], [site visited Apr. 5, 2023], Available from the internet URL: <https://www.walmart.com/ip/Ozark-Trail-Quick-Fold-Compact-Side-Table-Portobello/50686722> (Year: 2019).*

(Continued)

Primary Examiner — Jennifer L Watkins
Assistant Examiner — Bryan Coauhtemoc Gusman
(74) *Attorney, Agent, or Firm* — Tuggle Duggins P.A.; Blake P. Hurt

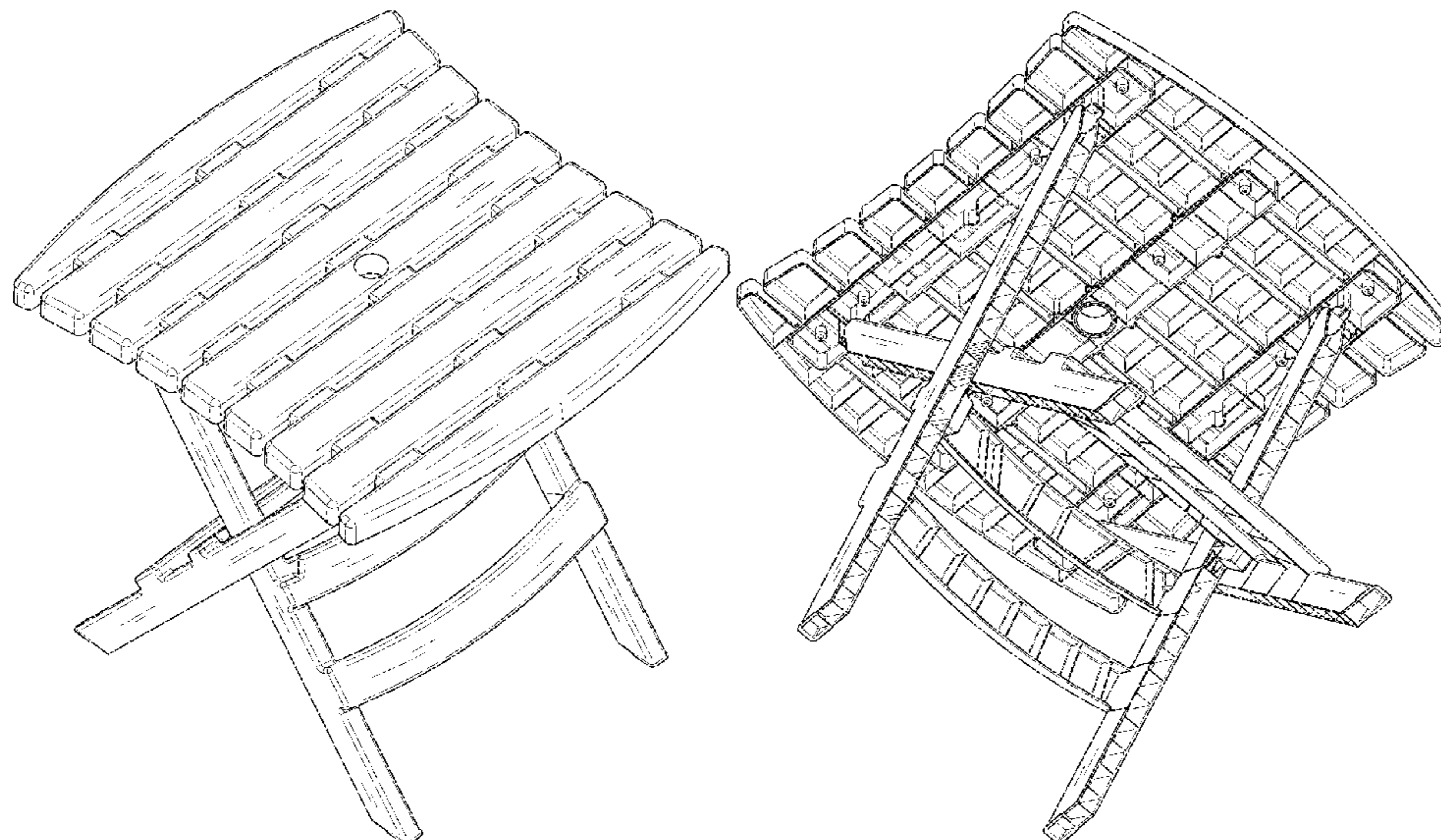
(57) **CLAIM**

The ornamental design for a folding table, as shown and described.

DESCRIPTION

FIG. 1 is a top, front, right side perspective view of a folding table showing our new design;
FIG. 2 is a bottom, rear, left side perspective view thereof;
FIG. 3 is a right side elevational view thereof;
FIG. 4 is a left side elevational view thereof;
FIG. 5 is a top plan view thereof;
FIG. 6 is a bottom plan view thereof;
FIG. 7 is a front elevational view thereof; and,
FIG. 8 is a rear elevational view thereof.

1 Claim, 8 Drawing Sheets



(56)

References Cited

U.S. PATENT DOCUMENTS

2005/0072493 A1* 4/2005 Velasco B25H 1/10
144/286.1
2021/0186205 A1* 6/2021 Goodworth A47B 3/02

OTHER PUBLICATIONS

Camco Adirondack Portable Outdoor Folding Side Table—Perfect for The Beach, Camping, Picnics, Cookouts and More—Weatherproof and Rust Resistant-Taupe (21045), available in Amazon.com, date first available Oct. 22, 2019 [online], [site visited Apr. 5, 2023], Available from the internet URL: [https://www.amaz](https://www.amazon.com/dp/B000I4D64U) (Year: 2019).*

Adams Manufacturing, White 8500-48-3700 Plastic Quik-Fold Side Table, available in Amazon.com, customer review date Dec. 21, 2015 [online], [site visited Apr. 5, 2023], Available from the internet URL: https://www.amazon.com/Adams-Manufacturing-8500-48-3700-Plastic-Quik-Fold/dp/B000I4D64U/ref=cm_cr_arp_d_p (Year: 2015).*

* cited by examiner

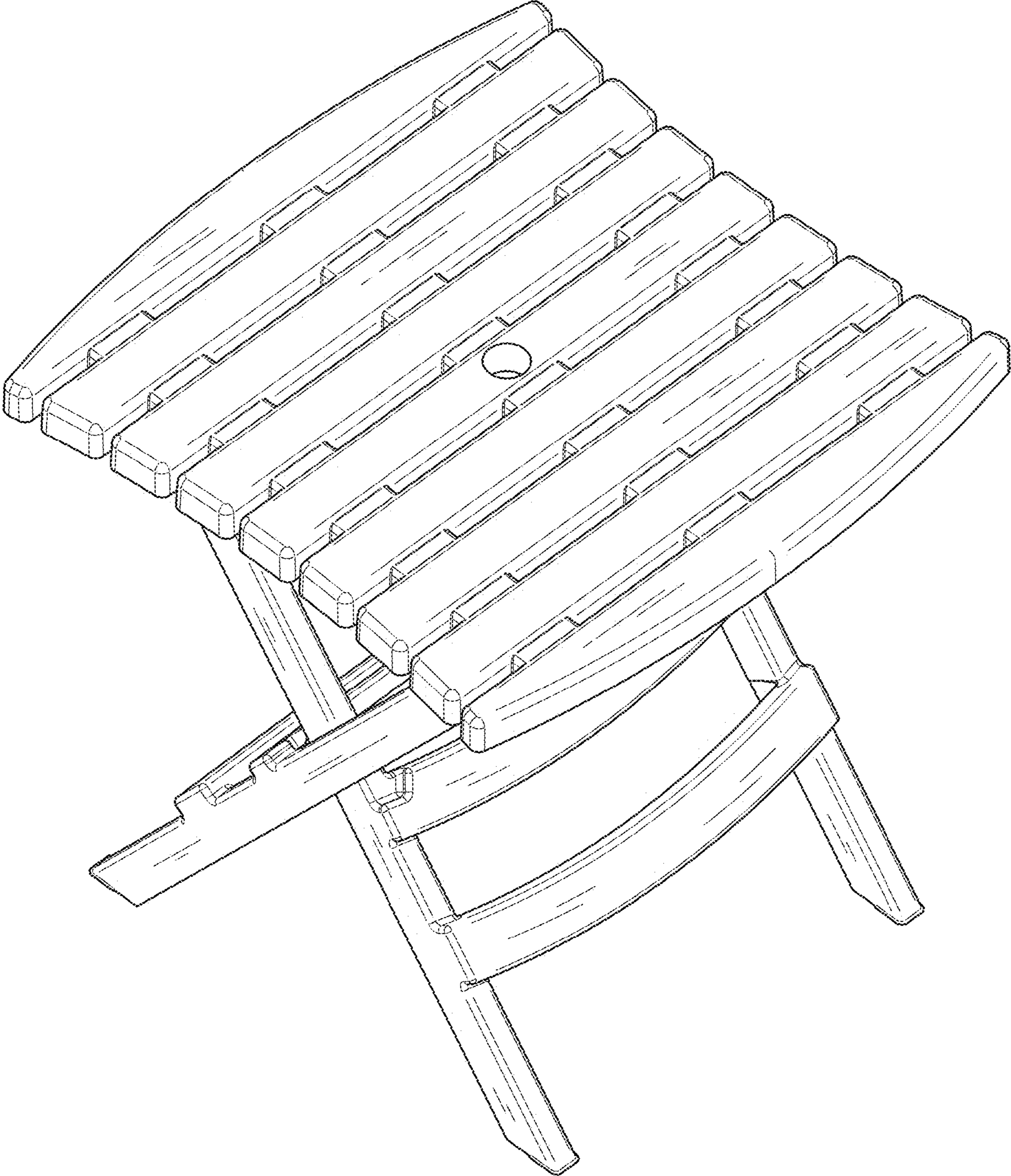


FIG. 1

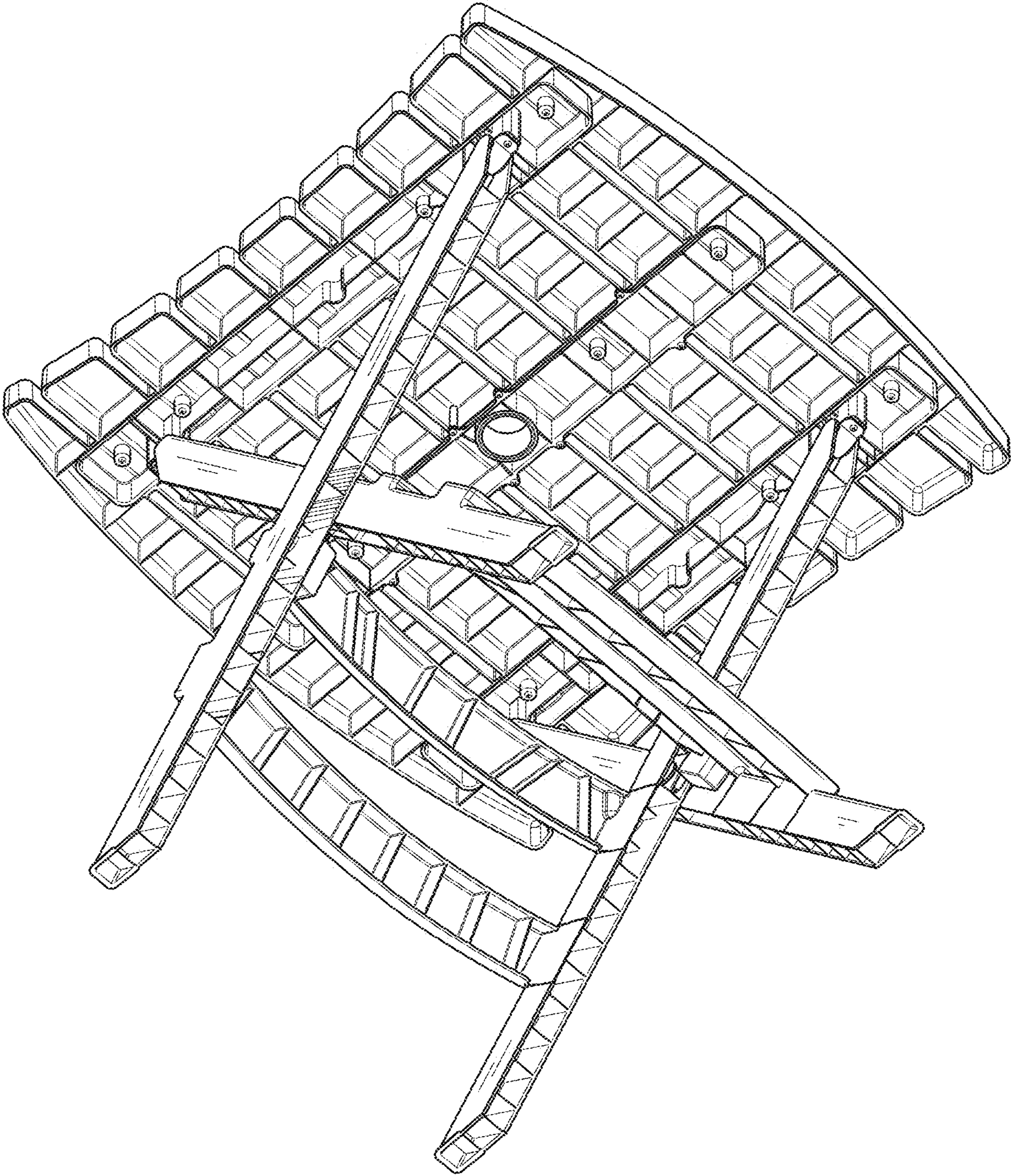


FIG. 2

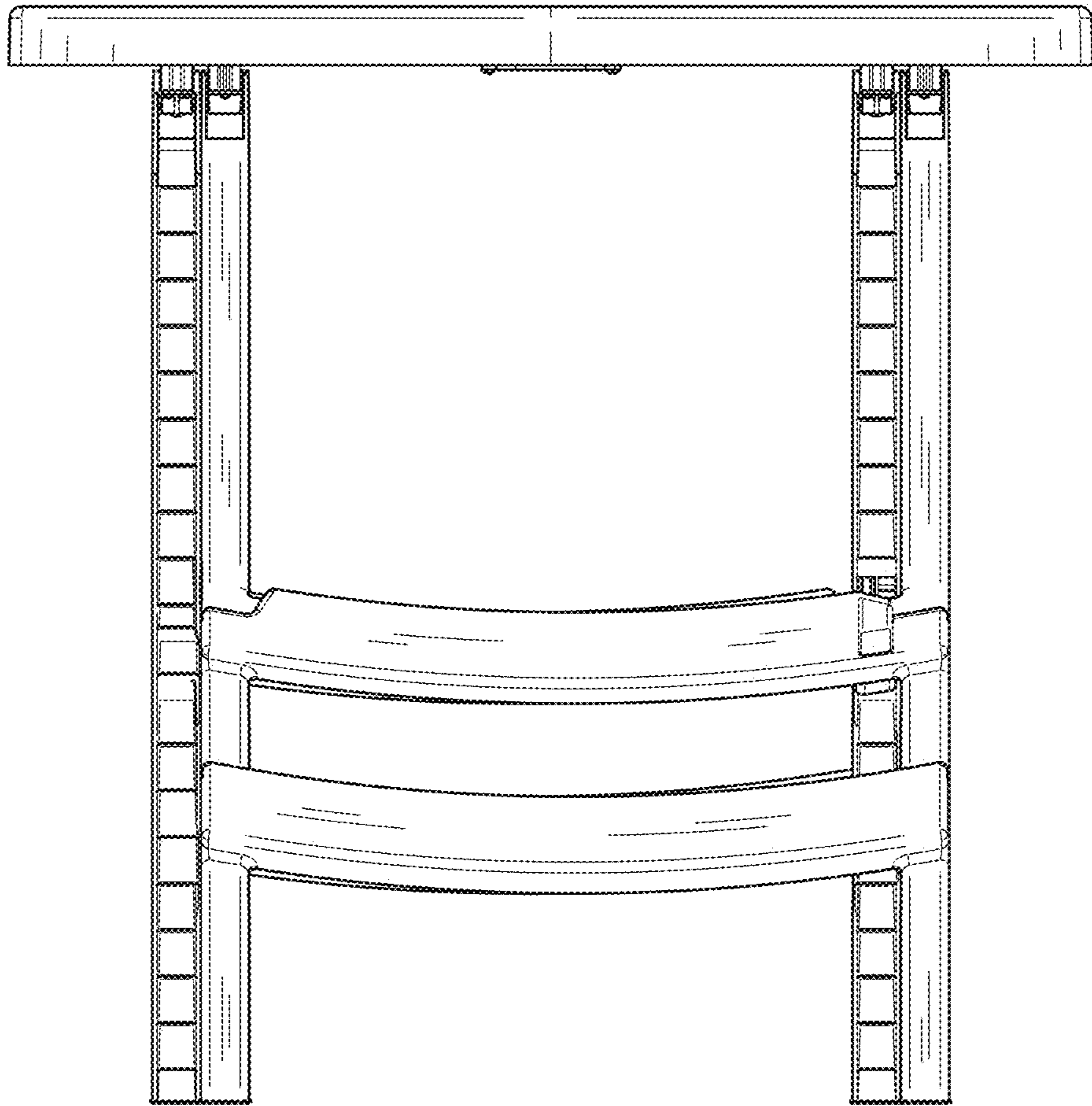


FIG. 3

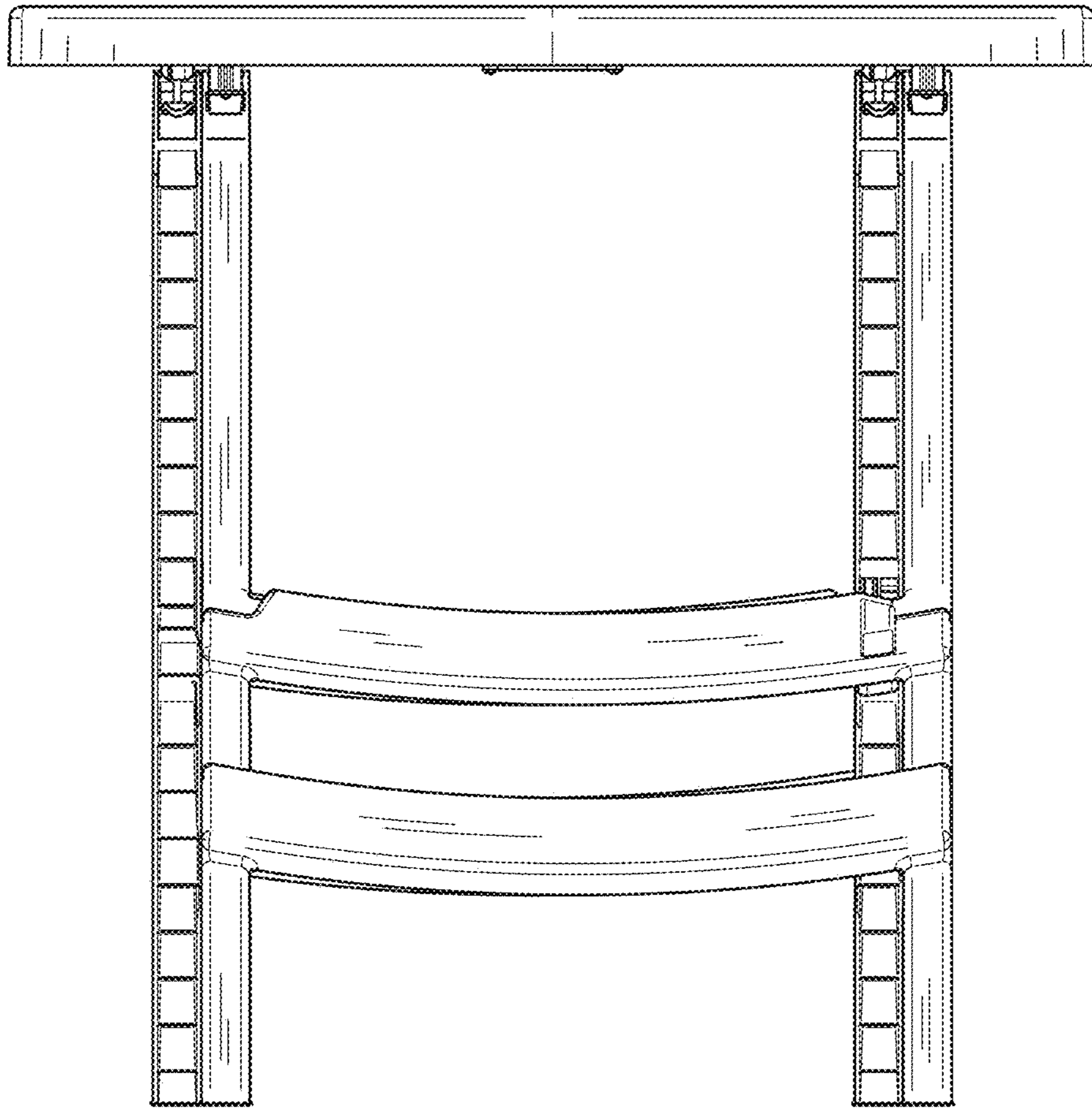


FIG. 4

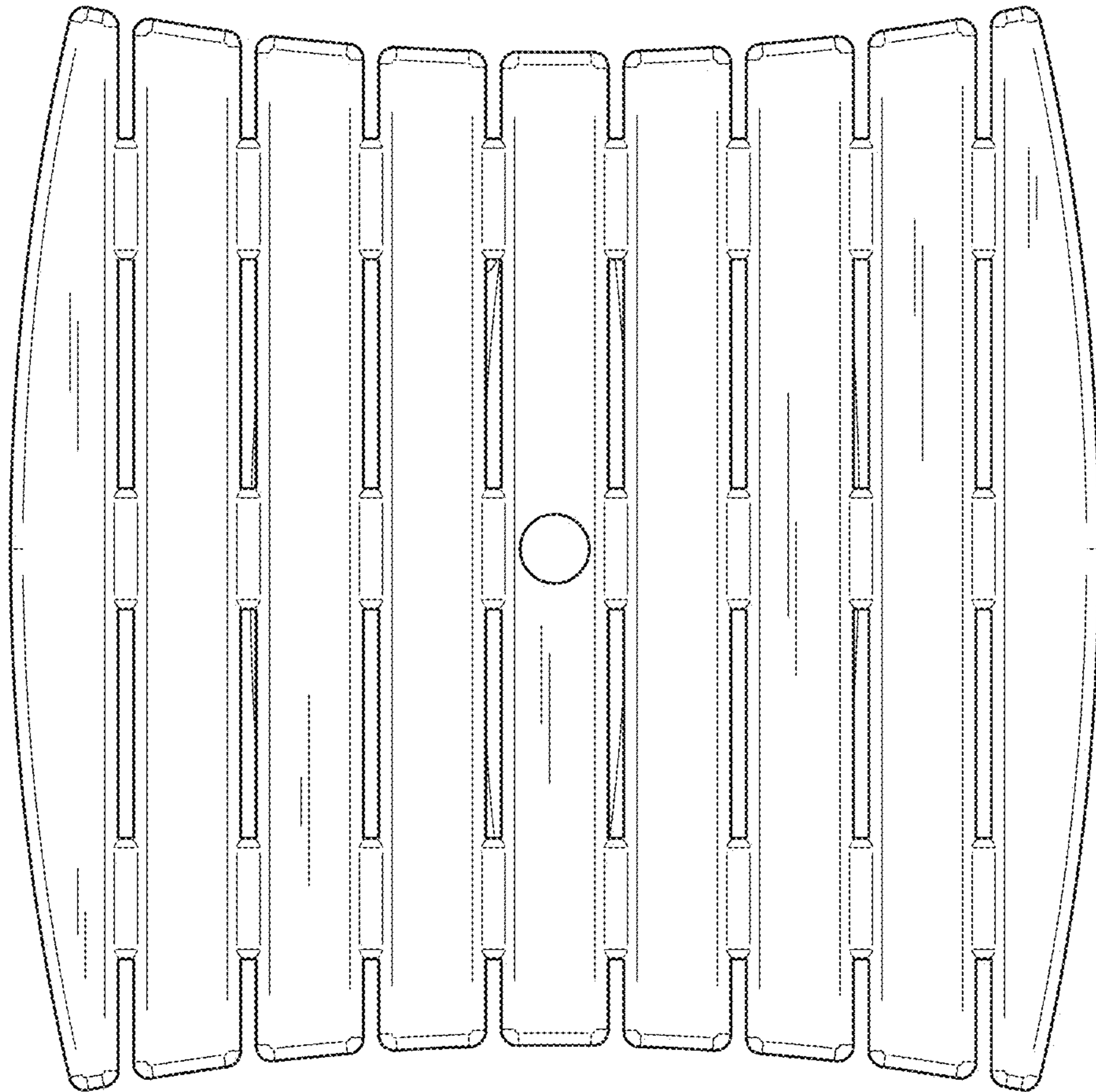


FIG. 5

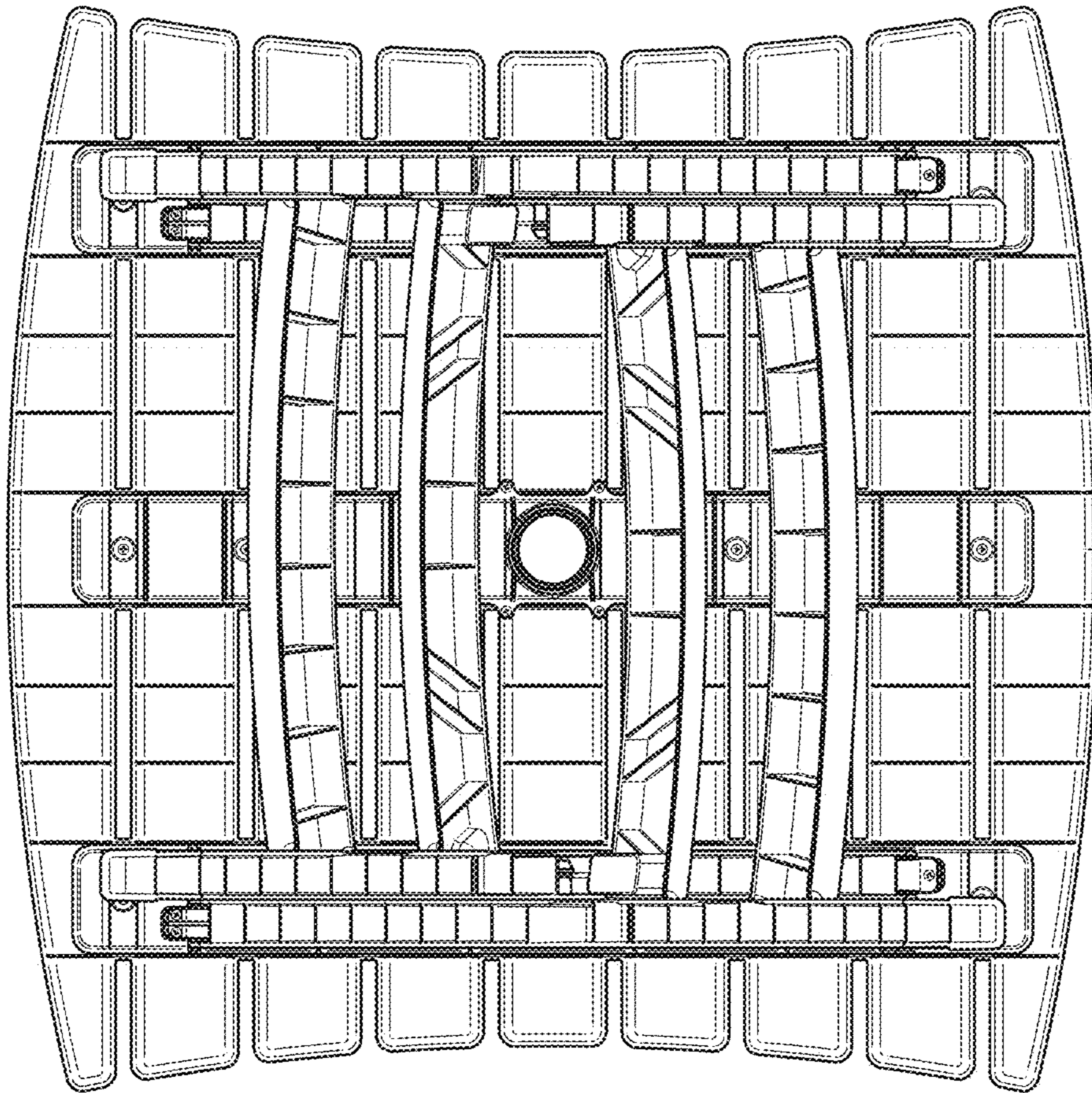


FIG. 6

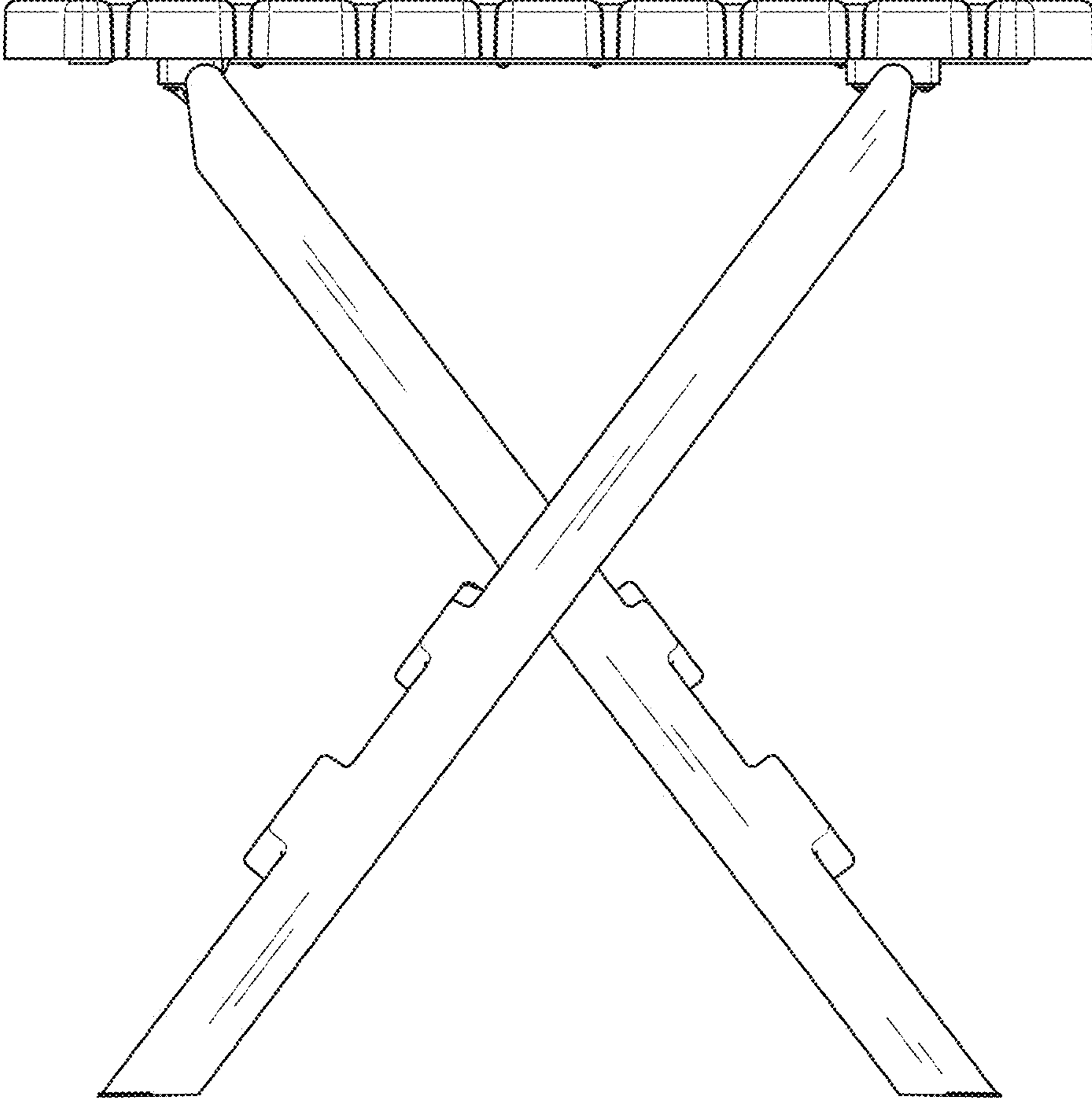


FIG. 7

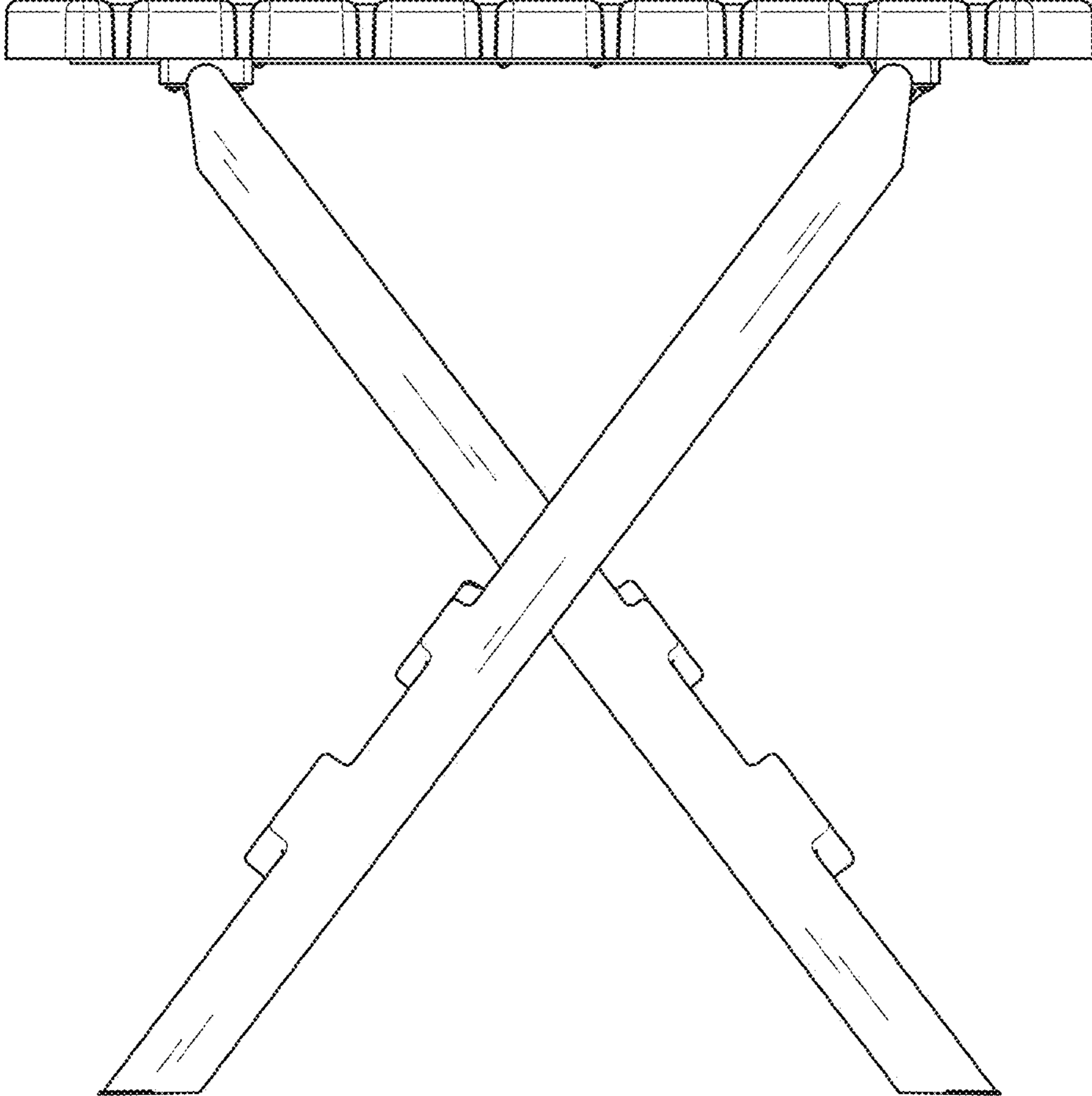


FIG. 8