



US00D988763S

(12) **United States Design Patent**  
**Feng**

(10) **Patent No.:** **US D988,763 S**  
(45) **Date of Patent:** **\*\* Jun. 13, 2023**

(54) **SIDE TABLE**

D892,047 S \* 8/2020 Peng ..... D26/51  
D967,660 S 10/2022 Grabliauskas  
D979,303 S \* 2/2023 de Martinville ..... D6/692.3

(71) Applicant: **Shenzhen Jiaguo Technology Co., Ltd.**, Shenzhen (CN)

(72) Inventor: **Dusheng Feng**, Jiujiang (CN)

(73) Assignee: **Shenzhen Jiaguo Technology Co., Ltd.**, Shenzhen (CN)

(\*\*) Term: **15 Years**

(21) Appl. No.: **29/888,922**

(22) Filed: **Apr. 6, 2023**

(51) **LOC (14) Cl.** ..... **06-03**

(52) **U.S. Cl.**  
USPC ..... **D6/687**; D6/692.3

(58) **Field of Classification Search**  
USPC ..... D6/406.1, 406.2, 685–687, 692,  
D6/692.1–692.6

CPC ..... A47B 7/00; A47B 13/00; A47B 13/02;  
A47B 13/023; A47B 13/04; A47B 13/06;  
A47B 13/08; A47B 13/10; A47B 13/12;  
A47B 17/00; A47B 17/02; A47B  
2200/0001; A47B 2200/0011; A47B  
2200/002; A47B 2200/0021; A47B  
2200/0035; A47B 2200/005; A47B  
2200/0051; A47B 2200/0052

See application file for complete search history.

(56) **References Cited**

**U.S. PATENT DOCUMENTS**

D287,679 S \* 1/1987 Evans ..... D6/687  
D692,264 S \* 10/2013 Weatherly ..... D6/692.3

**OTHER PUBLICATIONS**

32" Tall Steel C Table End Table by Latitude—Wayfair <https://www.wayfair.com/Latitude-Run%C2%AE--Steel-C-Table-End-Table-with-Storage-X122296112-L442-K-W011185001.html> retrieved from the internet on Apr. 25, 2023.\*

Portima Side Table—Article <https://www.article.com/product/17918/portima-oak-c-side-table> retrieved from the internet on Oct. 19, 2022.\*

\* cited by examiner

*Primary Examiner* — Mary Ann Calabrese

(57) **CLAIM**

The ornamental design for a side table, as shown and described.

**DESCRIPTION**

FIG. 1 is a top perspective view of a side table, showing my new design;

FIG. 2 is a bottom perspective view thereof;

FIG. 3 is a front view thereof;

FIG. 4 is a rear view thereof;

FIG. 5 is a left side view thereof;

FIG. 6 is a right side view thereof;

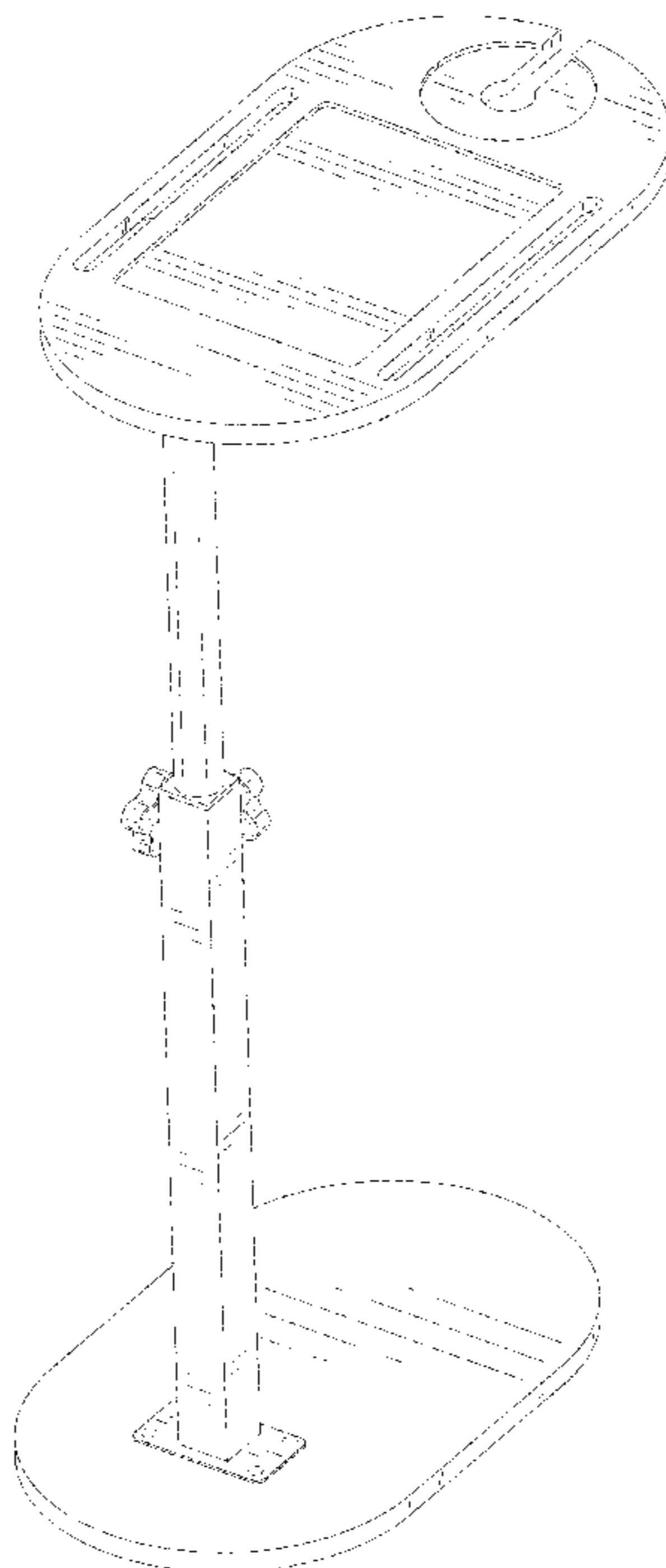
FIG. 7 is a top view thereof;

FIG. 8 is a bottom view thereof; and,

FIG. 9 is a top perspective view thereof, shown in an alternate position of use.

The broken lines in the drawings illustrate the portions of the side table, which form no part of the claimed design.

**1 Claim, 9 Drawing Sheets**



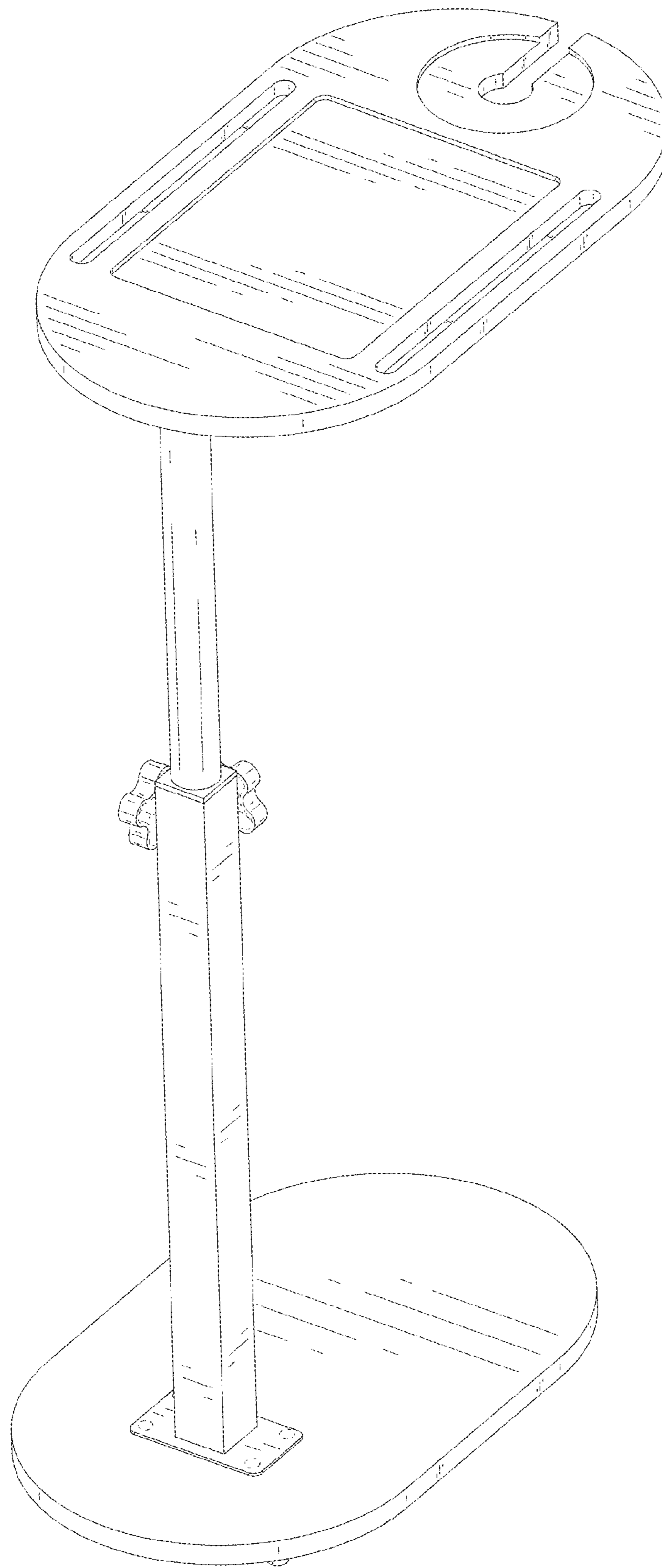


FIG. 1

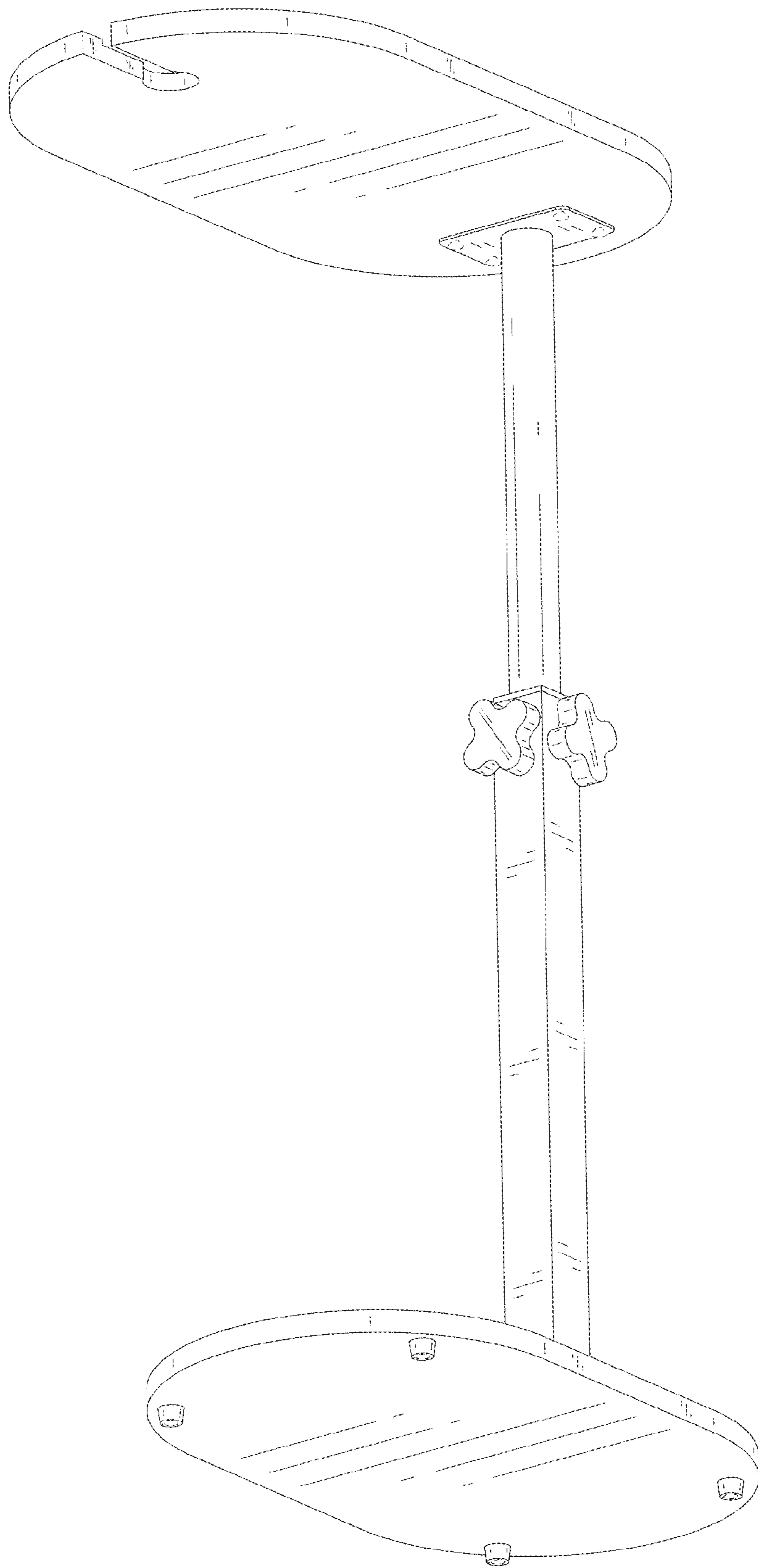


FIG. 2

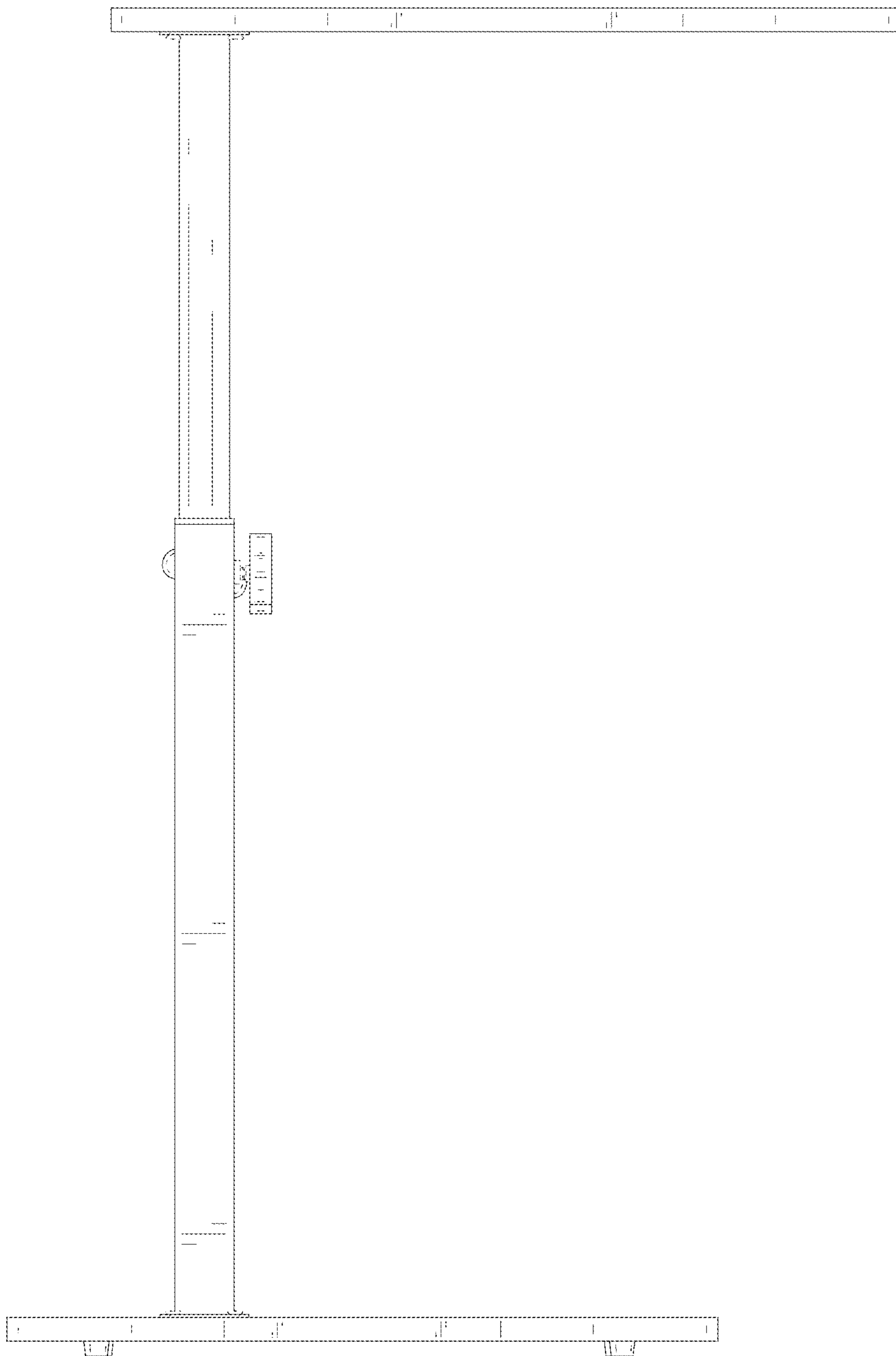


FIG. 3

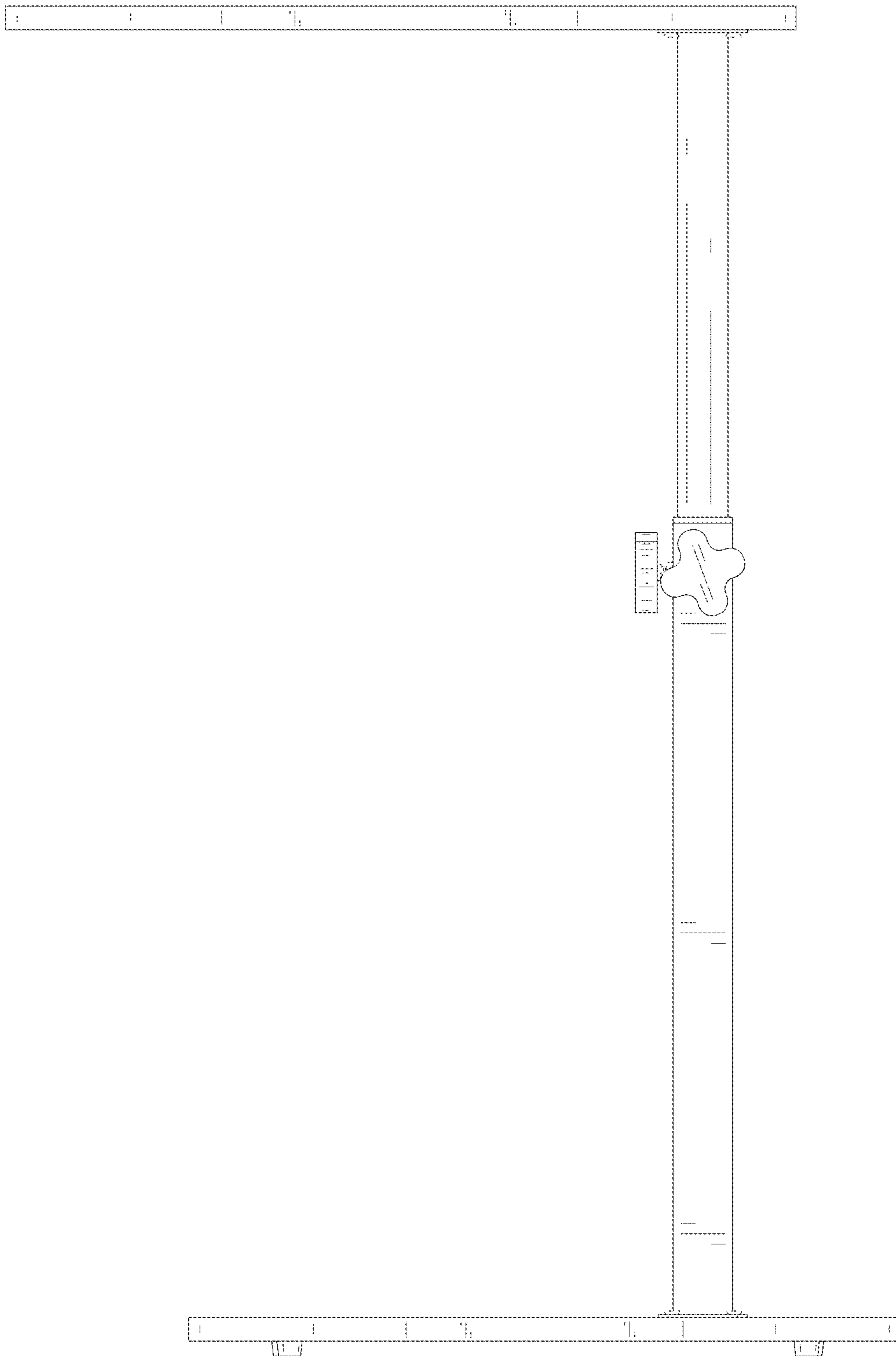


FIG. 4

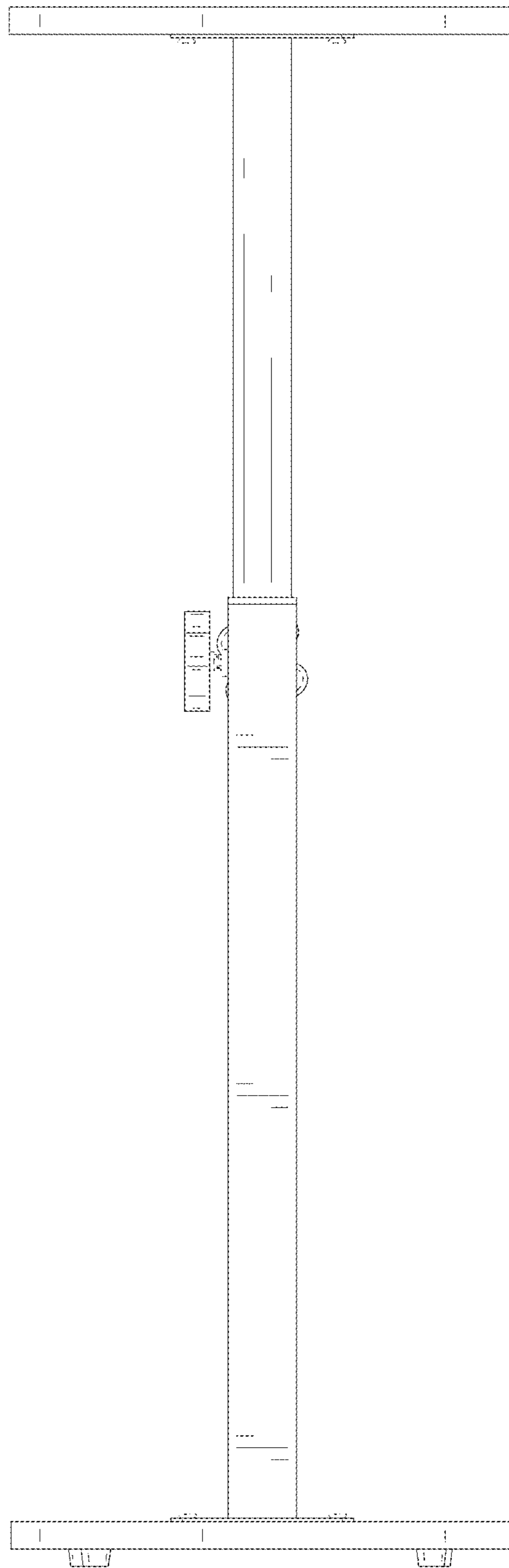


FIG. 5

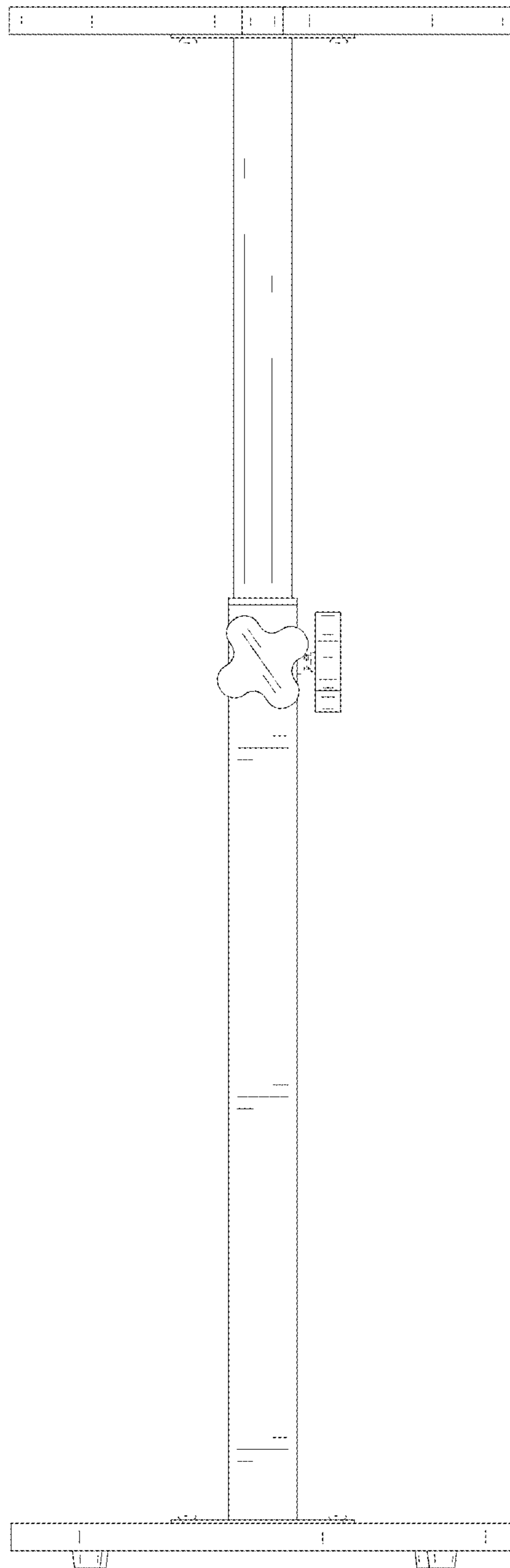


FIG. 6

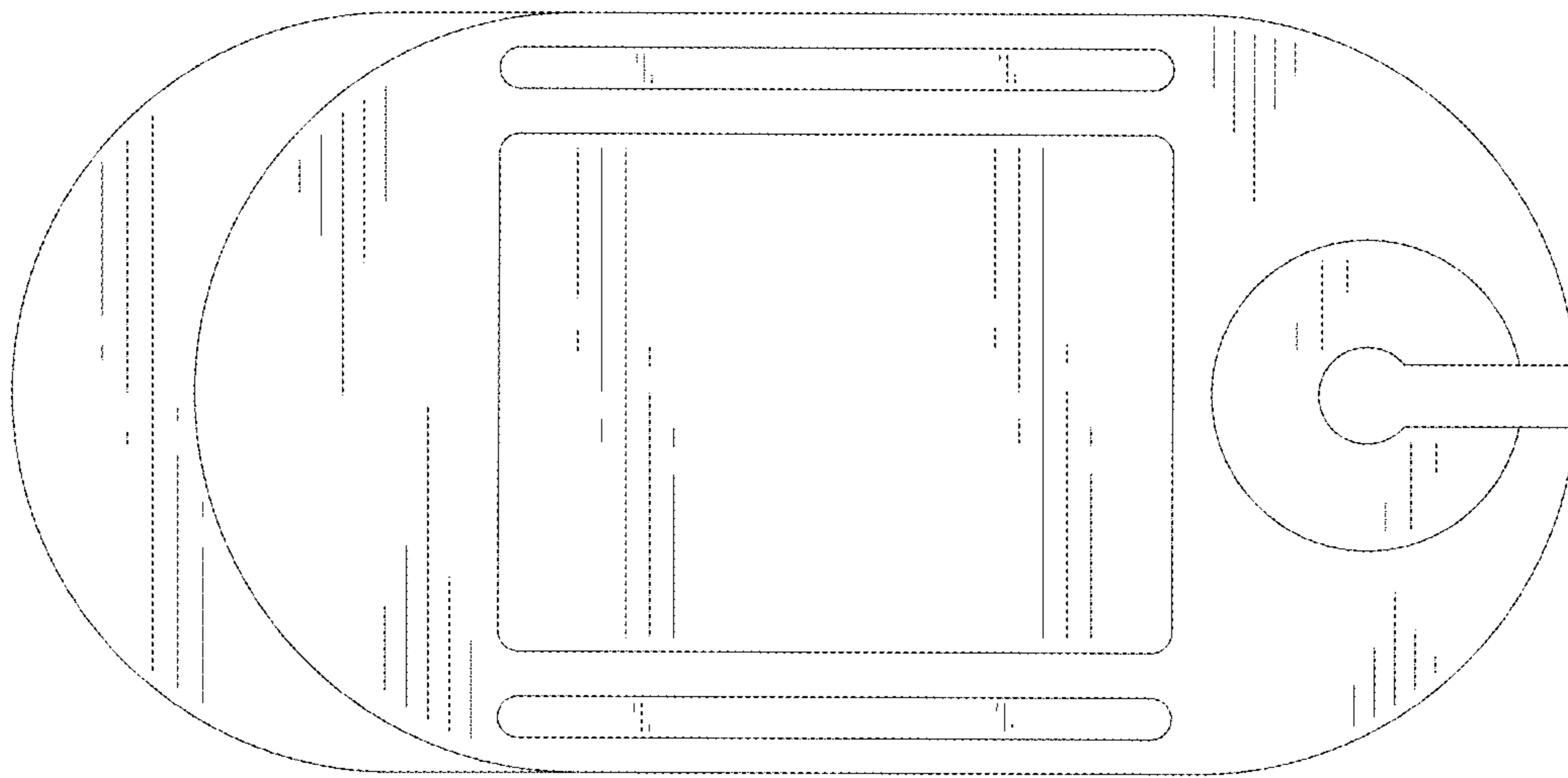


FIG. 7



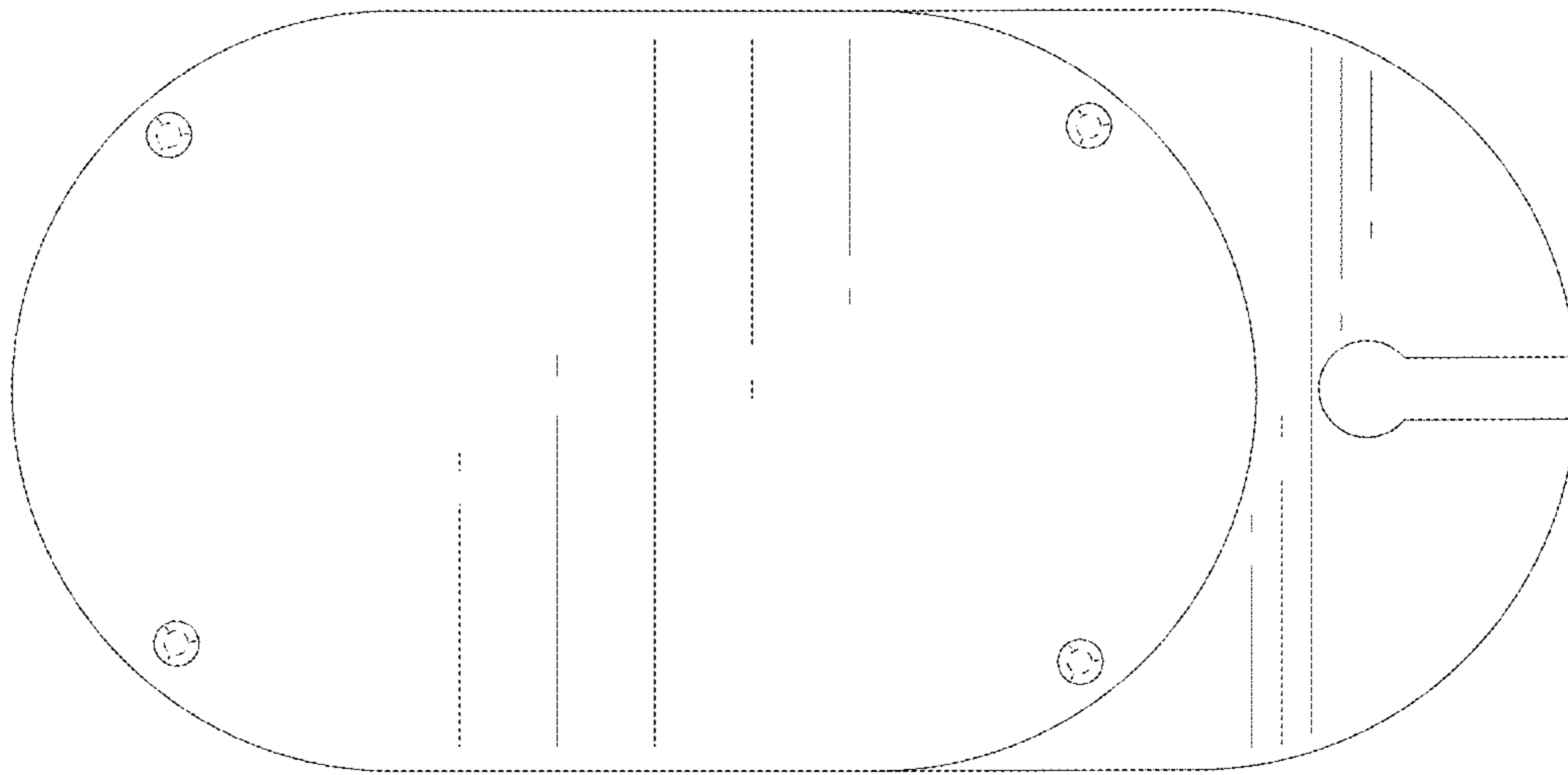


FIG. 8

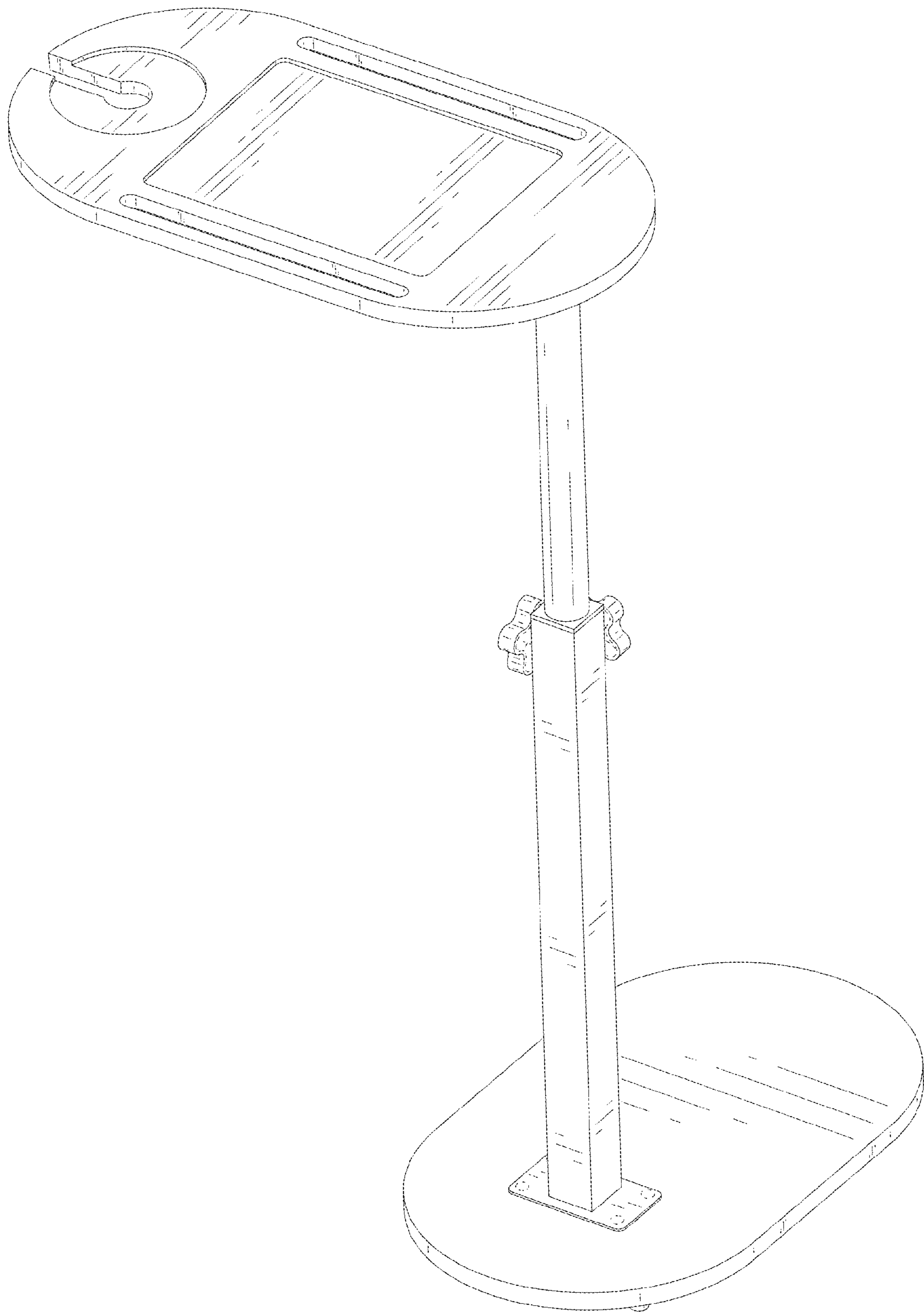


FIG. 9