



US00D988762S

(12) **United States Design Patent**
Wersland et al.

(10) **Patent No.:** **US D988,762 S**
(45) **Date of Patent:** **** Jun. 13, 2023**

- (54) **STAND**
- (71) Applicant: **Therabody, Inc.**, Los Angeles, CA (US)
- (72) Inventors: **Jason Wersland**, Los Angeles, CA (US); **Benjamin Nazarian**, Los Angeles, CA (US); **Jaime Sanchez Solana**, Los Angeles, CA (US); **Eduardo Merino**, Los Angeles, CA (US)
- (73) Assignee: **Therabody, Inc.**, Los Angeles, CA (US)
- (**) Term: **15 Years**
- (21) Appl. No.: **29/836,229**
- (22) Filed: **Apr. 25, 2022**

D455,252 S *	4/2002	Hagans, III	D3/200
D462,359 S *	9/2002	Scharer	D14/452
D539,566 S *	4/2007	Anderson	D6/676.1
D547,755 S *	7/2007	Wang	D14/239
D549,232 S *	8/2007	Li	D14/434
D583,158 S	12/2008	Chiu		
D592,188 S *	5/2009	Huang	D14/447
D621,840 S *	8/2010	Buncher	D14/447
8,020,816 B2 *	9/2011	Laitila	F16M 13/00 248/125.7
D669,481 S *	10/2012	Prescott	D14/447
D696,259 S *	12/2013	Howarth	D14/447
8,746,156 B2	6/2014	Camarillo		
D718,960 S *	12/2014	Sanderson	D6/675.5
D733,697 S *	7/2015	Palan	D14/253
D769,235 S	10/2016	Li		
D776,668 S *	1/2017	Wallace	D6/681.1
D827,344 S	9/2018	Dillon		
D852,560 S	7/2019	Cochrane		
D868,753 S	12/2019	Kolton		
D879,519 S	3/2020	Schwalbach		
D894,196 S *	8/2020	Wu	D14/451
D898,730 S *	10/2020	Comelek	D14/253
D919,611 S	5/2021	Wang		

(Continued)

Related U.S. Application Data

- (62) Division of application No. 29/735,185, filed on May 19, 2020, now Pat. No. Des. 950,990.
- (51) **LOC (14) Cl.** **06-06**
- (52) **U.S. Cl.**
USPC **D6/682.3**
- (58) **Field of Classification Search**
USPC D6/672, 673, 512-513, 553, 682, 682.3;
D14/434, 447, 457; D8/354
CPC A47B 2097/005; A47B 2097/006; A47F
5/006; A47F 5/0081; A47F 5/0876; A47F
7/142
See application file for complete search history.

Primary Examiner — Kelley A Donnelly
(74) *Attorney, Agent, or Firm* — Sterne, Kessler,
Goldstein & Fox P.L.L.C.

(57) **CLAIM**

The ornamental design for a stand, as shown and described.

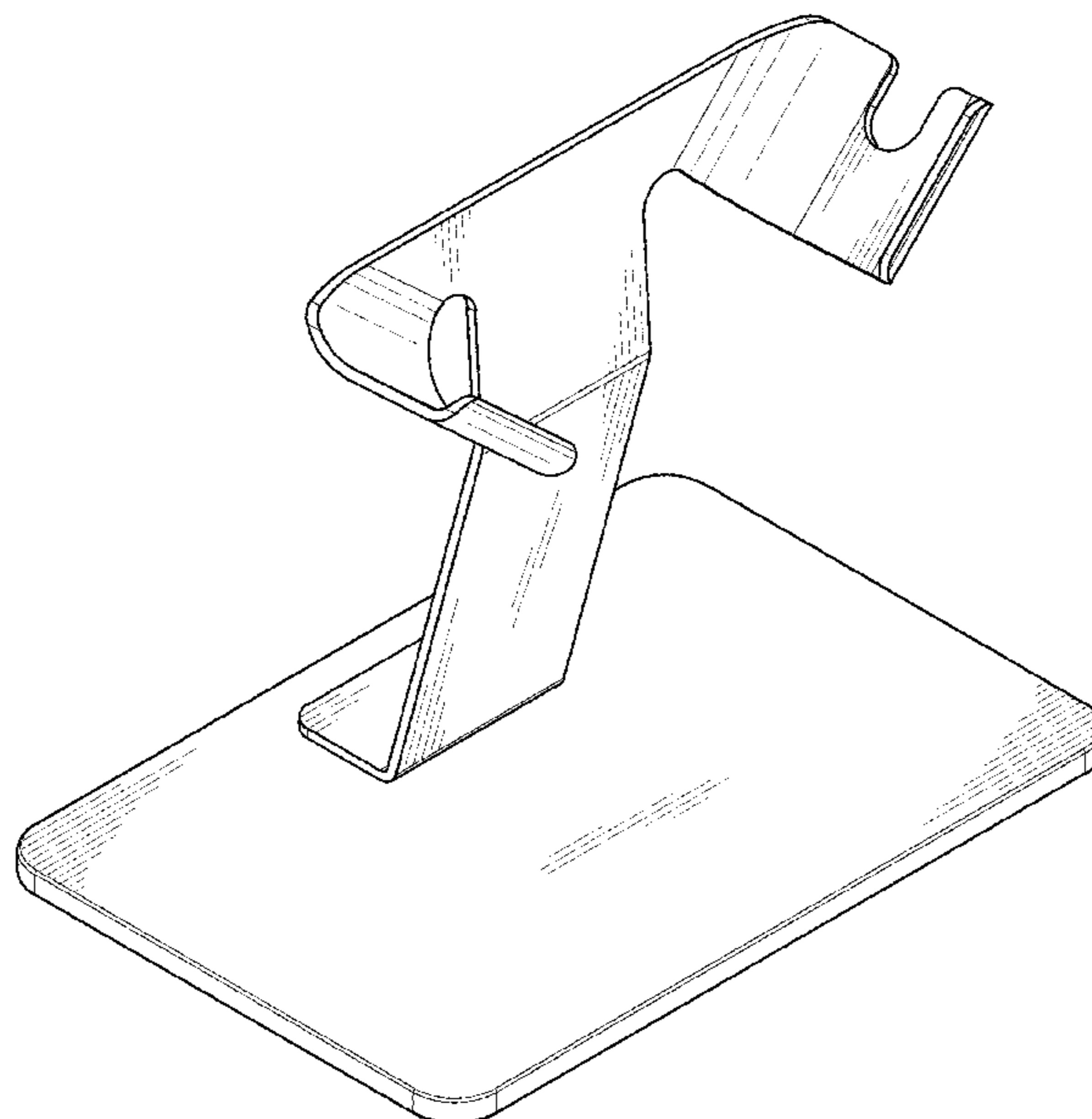
DESCRIPTION

FIG. 1 is a perspective view of a stand, showing our new design;
FIG. 2 is a front elevational view thereof;
FIG. 3 is a rear elevational view thereof;
FIG. 4 is a right side elevational thereof;
FIG. 5 is a left side elevational view thereof; and,
FIG. 6 is a top plan view thereof.

(56) **References Cited**
U.S. PATENT DOCUMENTS

- D364,757 S 12/1995 Jaeger
- D398,459 S * 9/1998 Loew D6/674.1

1 Claim, 6 Drawing Sheets



(56)

References Cited

U.S. PATENT DOCUMENTS

D927,232 S	8/2021	Schuster	
D929,986 S	9/2021	Chen	
D930,414 S *	9/2021	Yang	D6/682.3
D934,234 S	10/2021	Deng	
D942,440 S	2/2022	Chapuis	
D948,253 S *	4/2022	Åman	D6/682
D950,990 S *	5/2022	Wersland	D6/682.3
D956,034 S *	6/2022	Bai	D14/253
2007/0045494 A1 *	3/2007	Teng	F16M 11/28 248/300

* cited by examiner

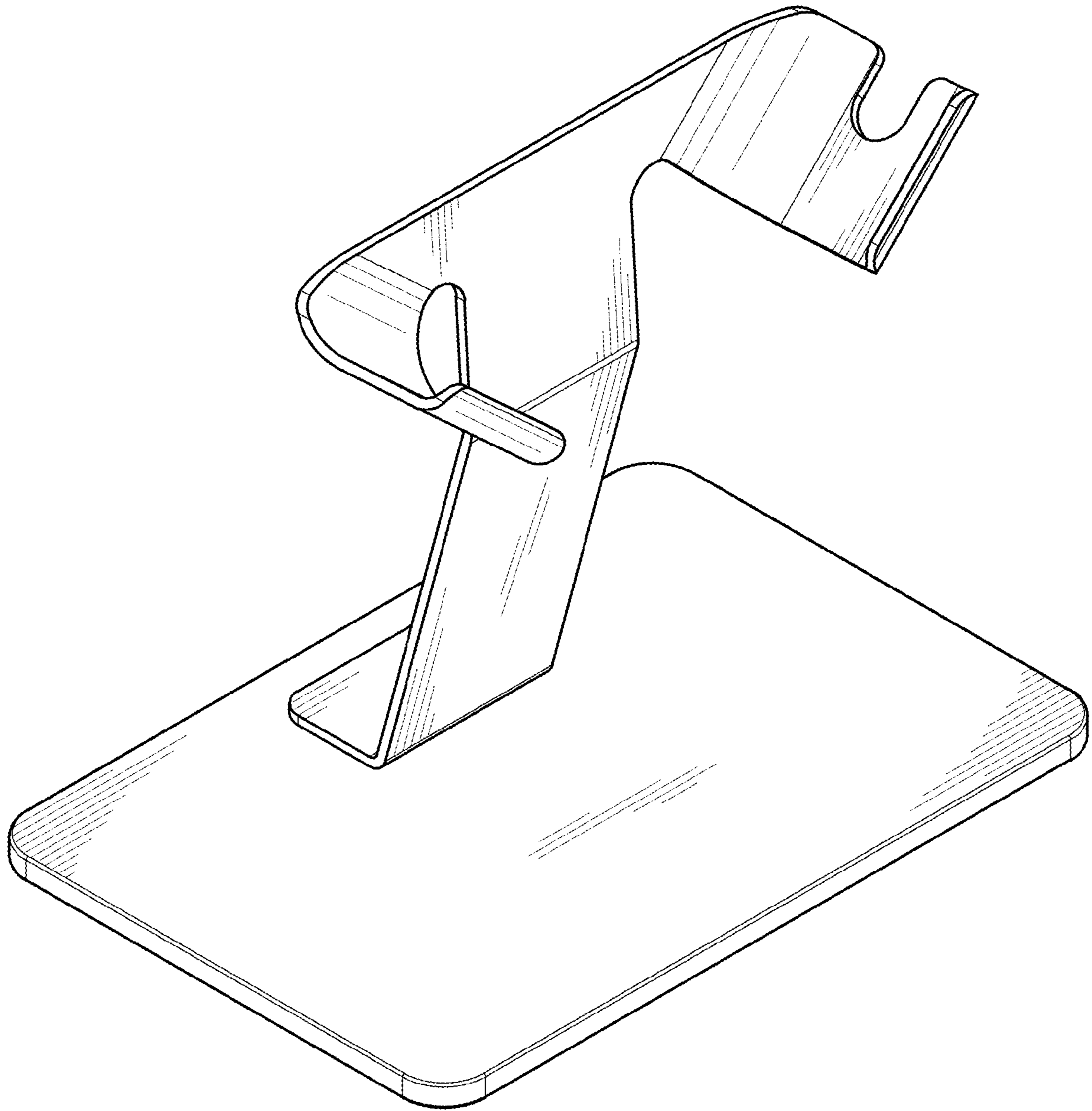


FIG. 1

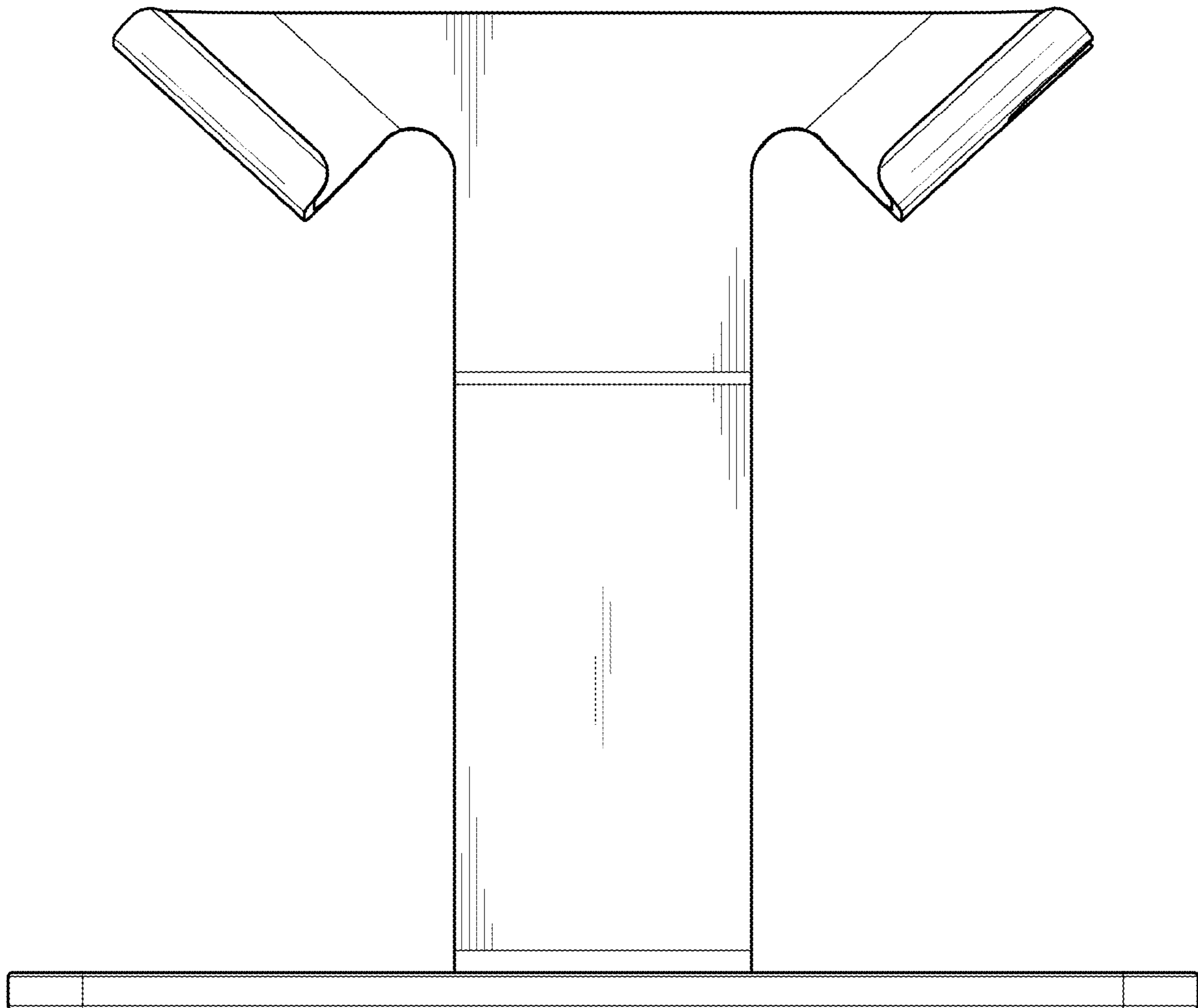


FIG. 2

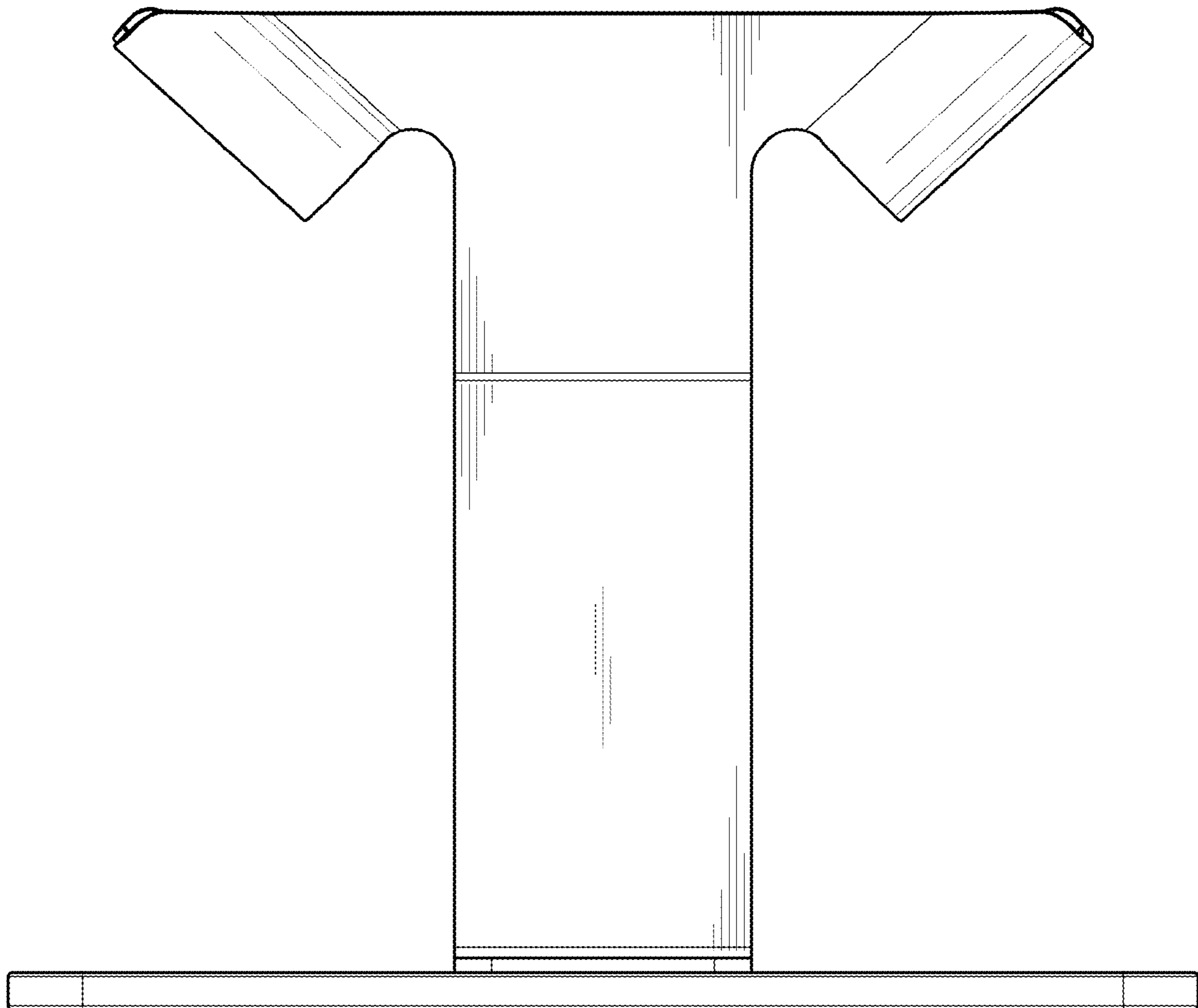


FIG. 3

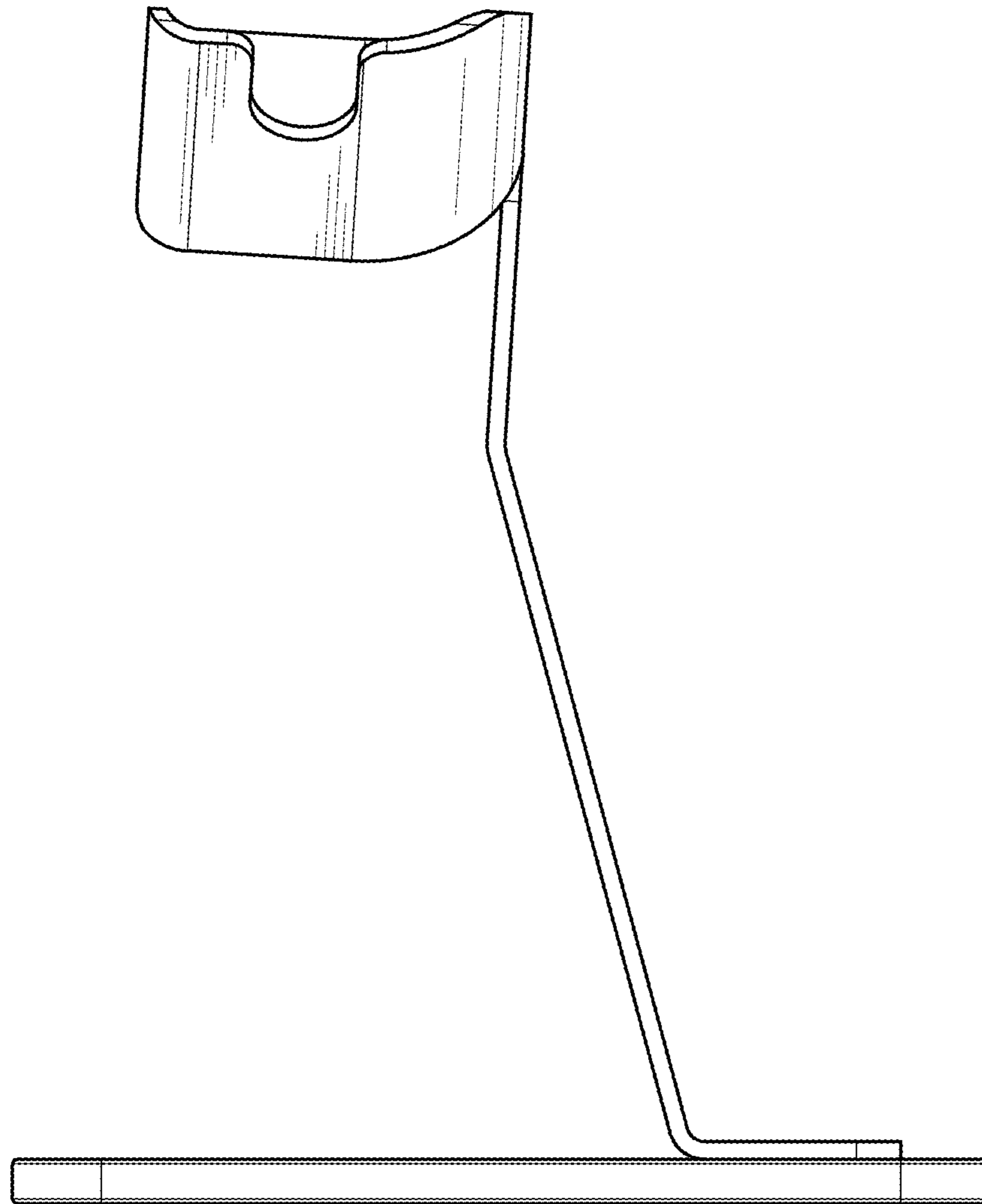


FIG. 4

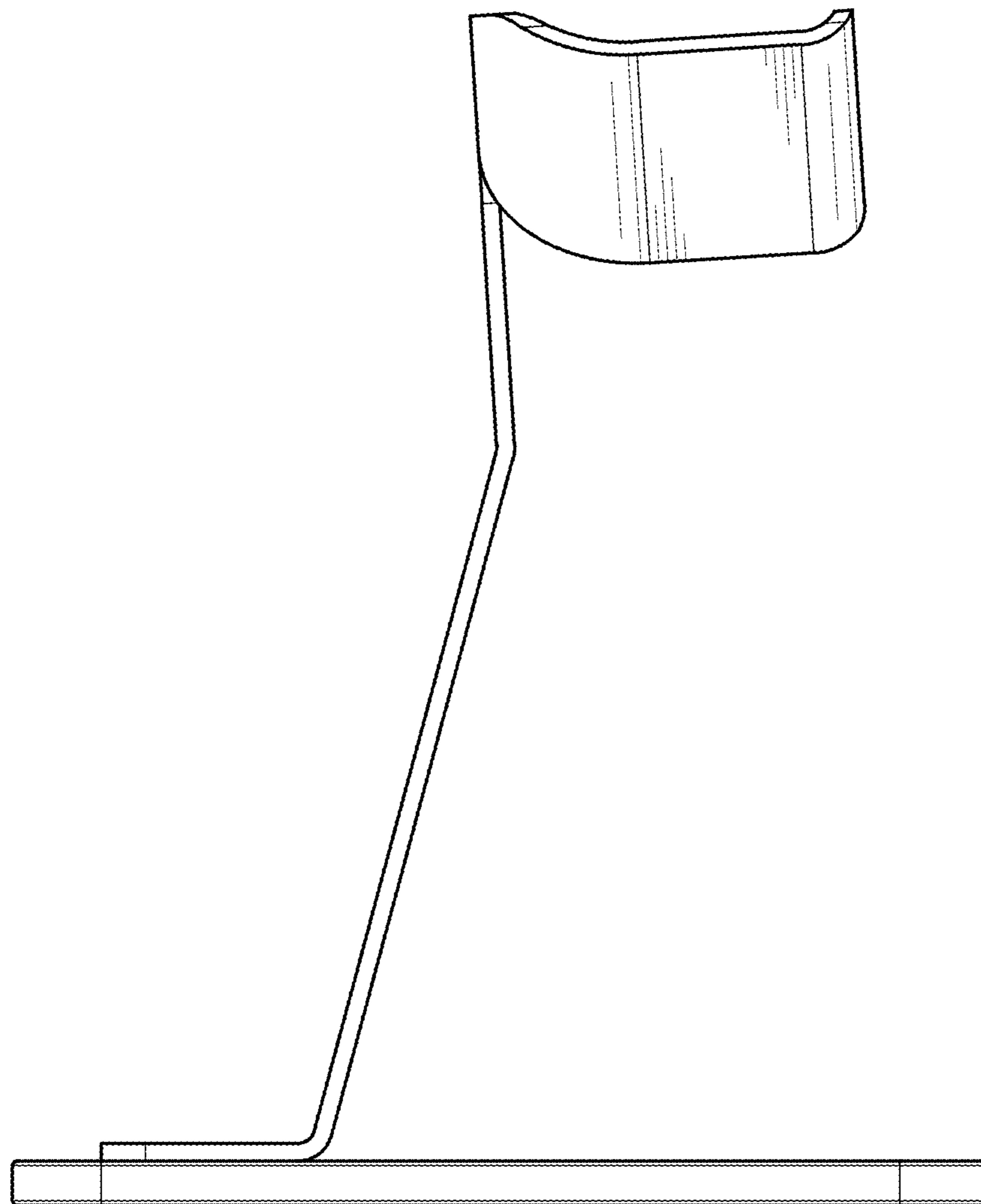


FIG. 5

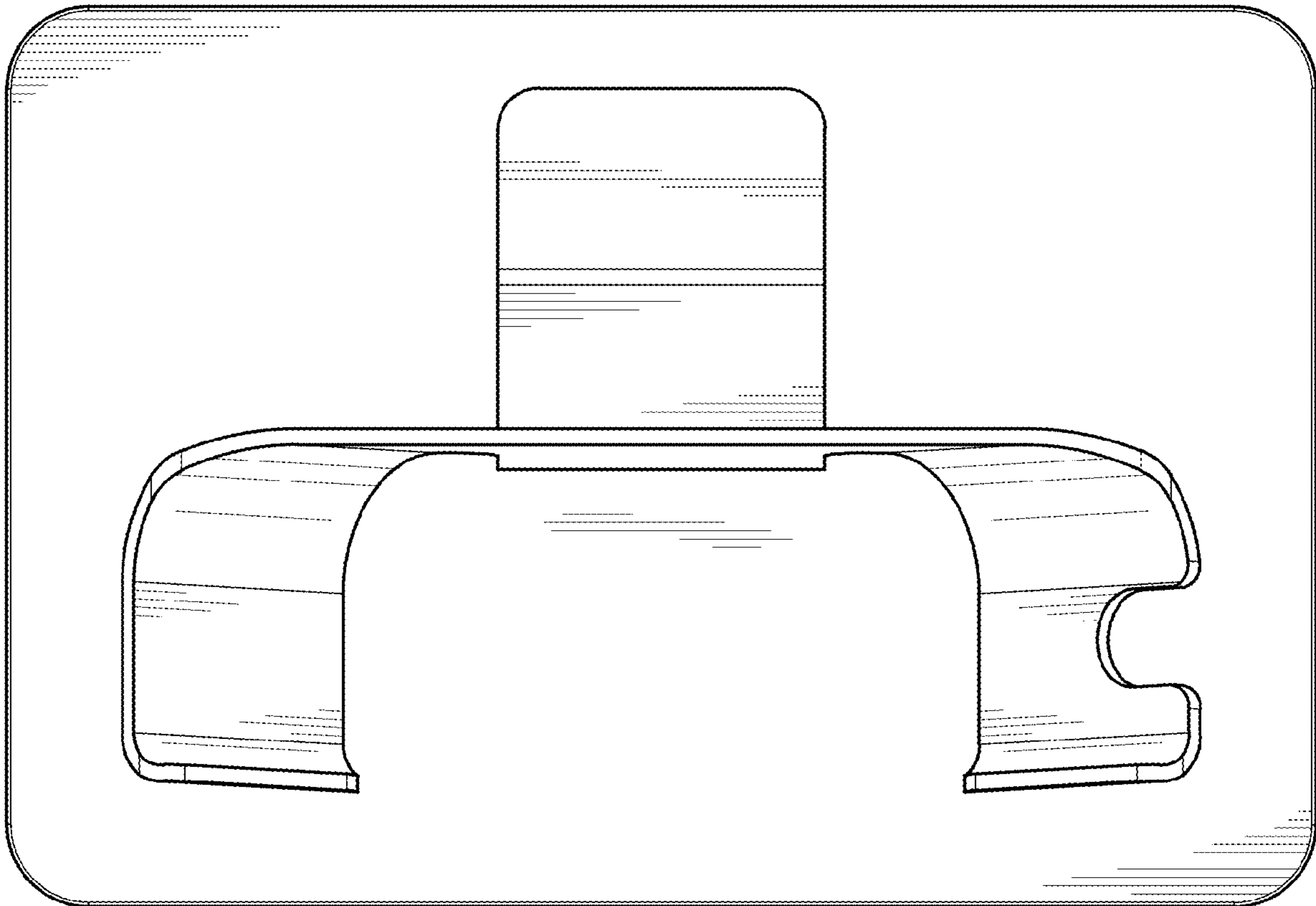


FIG. 6