



US00D988761S

(12) **United States Design Patent** (10) **Patent No.:** **US D988,761 S**  
**Huang** (45) **Date of Patent:** **\*\* Jun. 13, 2023**

(54) **HANGER STORAGE ORGANIZER**

(71) Applicant: **Bo Huang**, Jiangxi (CN)

(72) Inventor: **Bo Huang**, Jiangxi (CN)

(\*\*) Term: **15 Years**

(21) Appl. No.: **29/806,179**

(22) Filed: **Sep. 1, 2021**

(51) **LOC (14) Cl.** ..... **06-04**

(52) **U.S. Cl.**

USPC ..... **D6/681**

(58) **Field of Classification Search**

USPC ..... D6/672, 675, 675.5, 681, 681.1, 681.2,  
D6/681.3, 682, 682.5, 682.6, 520, 546,  
D6/548, 549; D32/58, 59

CPC ..... A47F 5/04; A47F 7/02; A47F 5/13; A47F  
5/00; A47F 5/0043; A47F 5/10

See application file for complete search history.

(56) **References Cited**

**U.S. PATENT DOCUMENTS**

D221,667 S *	8/1971	Smith	.....	D6/678.4
D222,085 S *	9/1971	Boley	.....	D6/672
D261,842 S *	11/1981	Carr	.....	D6/672
4,424,905 A *	1/1984	Keen	.....	A47G 25/1464 211/49.1
D295,806 S *	5/1988	Wilson	.....	D6/681
5,090,725 A *	2/1992	Feldner	.....	B62B 3/02 280/47.35
D392,818 S *	3/1998	Shawhan	.....	D6/681.1
D465,352 S *	11/2002	Kim	.....	D6/681
6,520,349 B2 *	2/2003	Keen	.....	A47G 25/1464 211/49.1
D474,350 S *	5/2003	Sardis	.....	D6/681.1
7,377,396 B2 *	5/2008	Keen	.....	A47F 13/00 211/49.1
9,565,932 B2 *	2/2017	Hirsch	.....	A47G 25/0664
D809,835 S *	2/2018	Greenspon	.....	D6/681
D838,127 S *	1/2019	Theodoroff	.....	D6/672
D874,191 S *	2/2020	Qi	.....	D6/664

D887,188 S *	6/2020	Felsenthal	.....	D6/681.2
11,013,319 B2 *	5/2021	Felsenthal	.....	A47B 61/003
D946,327 S *	3/2022	Felsenthal	.....	D6/681.2
D966,018 S *	10/2022	Huang	.....	D6/681.2
2002/0130094 A1 *	9/2002	Keen	.....	A47G 25/1464 211/49.1

**FOREIGN PATENT DOCUMENTS**

GB	2082254	*	3/1999
JP	D1166438	*	1/2003
KR	300400714.0000	*	11/2005

**OTHER PUBLICATIONS**

Hakday, "Portable Hanger Organizer Rack", first available Dec. 5, 2021 [https://www.amazon.ca/Portable-Organizer-Stacker-Storage-Cleaning/dp/B09CPWCBF1/ref=sr\\_1\\_8?crid=1XFCBY0FOZL2H&keywords=hakday+hanger+rack+storage&qid=1673033577&sprefix=hakday+hanger+rack+storage%2Caps%2C70&sr=8-8](https://www.amazon.ca/Portable-Organizer-Stacker-Storage-Cleaning/dp/B09CPWCBF1/ref=sr_1_8?crid=1XFCBY0FOZL2H&keywords=hakday+hanger+rack+storage&qid=1673033577&sprefix=hakday+hanger+rack+storage%2Caps%2C70&sr=8-8) (Year: 2021).\*

(Continued)

*Primary Examiner* — Bao-Yen T Nguyen

*Assistant Examiner* — Jessica Ruth Grable

(74) *Attorney, Agent, or Firm* — Che-Yang Chen; Law Office of Michael Chen

(57) **CLAIM**

The ornamental design for a hanger storage organizer, as shown and described.

**DESCRIPTION**

FIG. 1 is a perspective view of a hanger storage organizer, showing my design.

FIG. 2 is a front elevation view thereof.

FIG. 3 is a rear elevation view thereof.

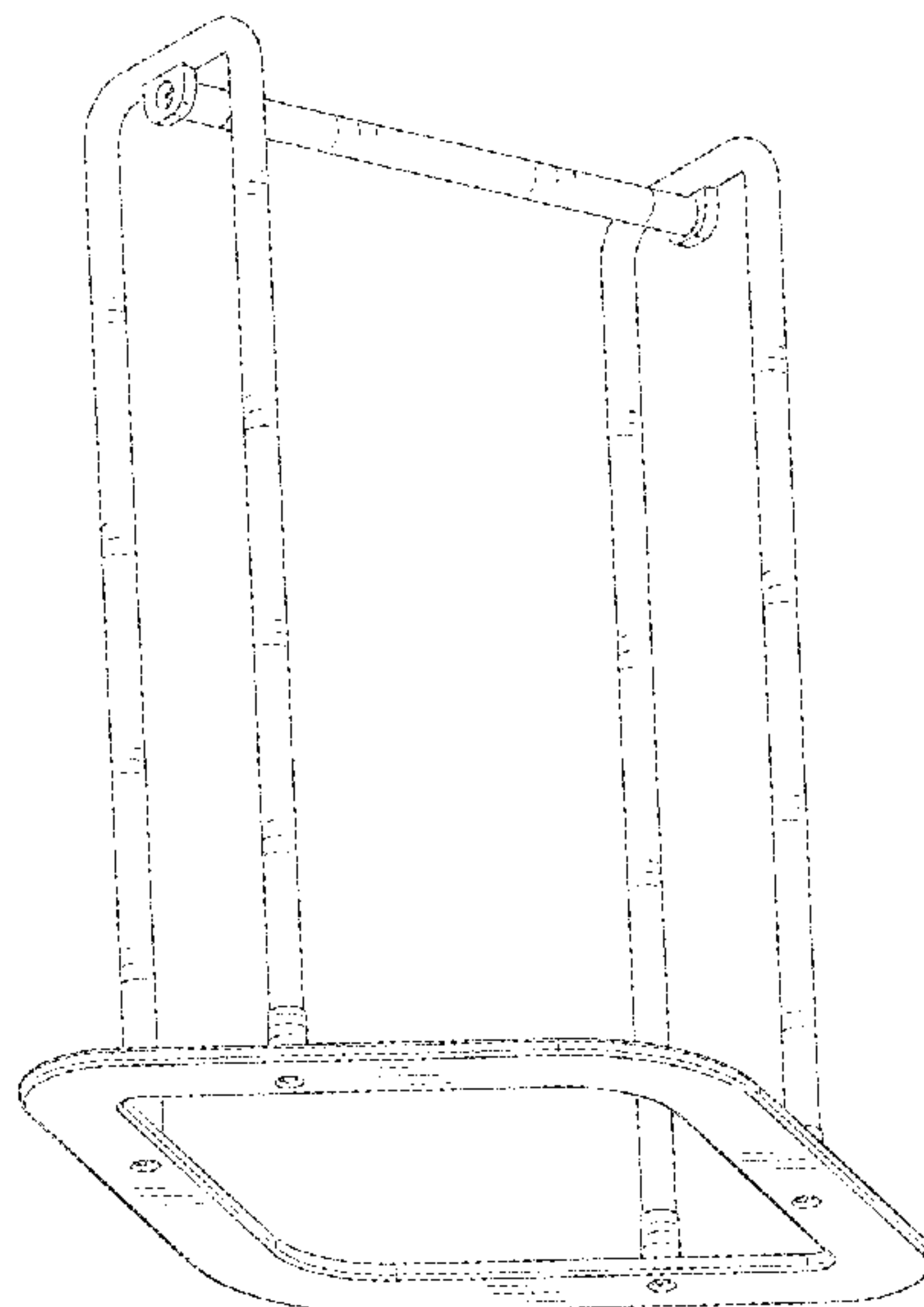
FIG. 4 is a left side elevation view thereof.

FIG. 5 is a right side elevation view thereof.

FIG. 6 is a top plan view thereof; and,

FIG. 7 is a bottom plan view thereof.

**1 Claim, 7 Drawing Sheets**



(56)

**References Cited**

OTHER PUBLICATIONS

Levoshua, "Hanger Storage Organizer", first available Oct. 30, 2020  
[https://www.amazon.ca/Storage-Organizer-Clothes-Stacker-Laundry/dp/B08M8YYTML/ref=sr\\_1\\_5?crid=3H3UYOALJ8FCT&keywords=hanger%2Brack%2Bstorage&qid=1673033820&srefix=hanger%2Brack%2Bstorage%2Caps%2C103&sr=8-5&th=1](https://www.amazon.ca/Storage-Organizer-Clothes-Stacker-Laundry/dp/B08M8YYTML/ref=sr_1_5?crid=3H3UYOALJ8FCT&keywords=hanger%2Brack%2Bstorage&qid=1673033820&srefix=hanger%2Brack%2Bstorage%2Caps%2C103&sr=8-5&th=1) (Year: 2020).\*

Senmubery, "Hanger Storage Organizer", first avail Jun. 22, 2021  
[https://www.amazon.ca/dp/B097PC1G1R/ref=sspa\\_dk\\_detail\\_3?psc=1&pf\\_rd\\_p=f63ff2fc-c217-4ab3-8f6c-28174e351d82&pf\\_rd\\_r=NSZ9J9QTVTN352NNW3NK&pd\\_rd\\_wg=na9Xx&pd\\_rd\\_w=4IXd4&content-id=amzn1.sym.f63ff2fc-c217-4ab3-8f6c-28174e351d82&pd\\_rd\\_r=f7](https://www.amazon.ca/dp/B097PC1G1R/ref=sspa_dk_detail_3?psc=1&pf_rd_p=f63ff2fc-c217-4ab3-8f6c-28174e351d82&pf_rd_r=NSZ9J9QTVTN352NNW3NK&pd_rd_wg=na9Xx&pd_rd_w=4IXd4&content-id=amzn1.sym.f63ff2fc-c217-4ab3-8f6c-28174e351d82&pd_rd_r=f7) (Year: 2021).\*

\* cited by examiner

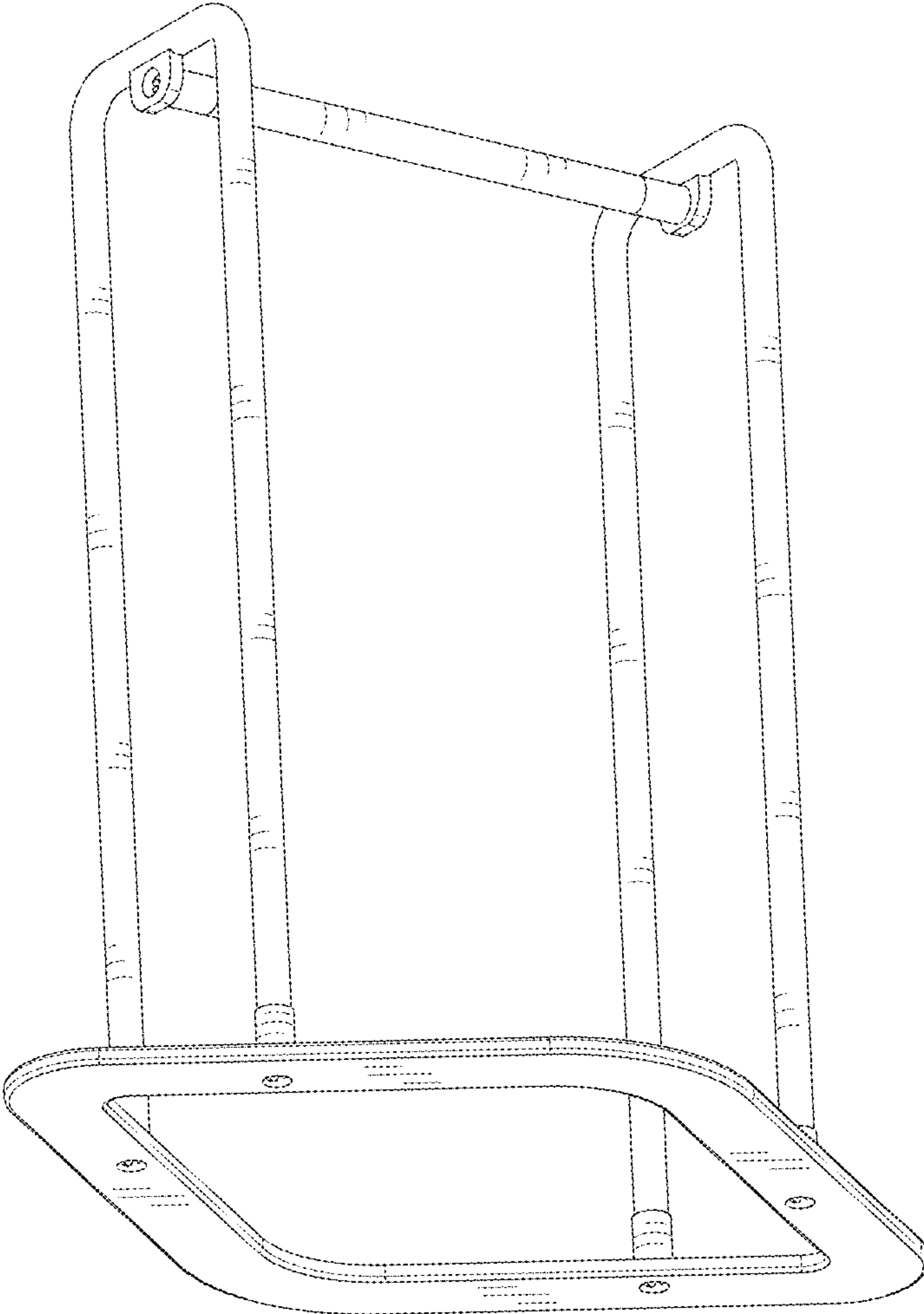


FIG. 1

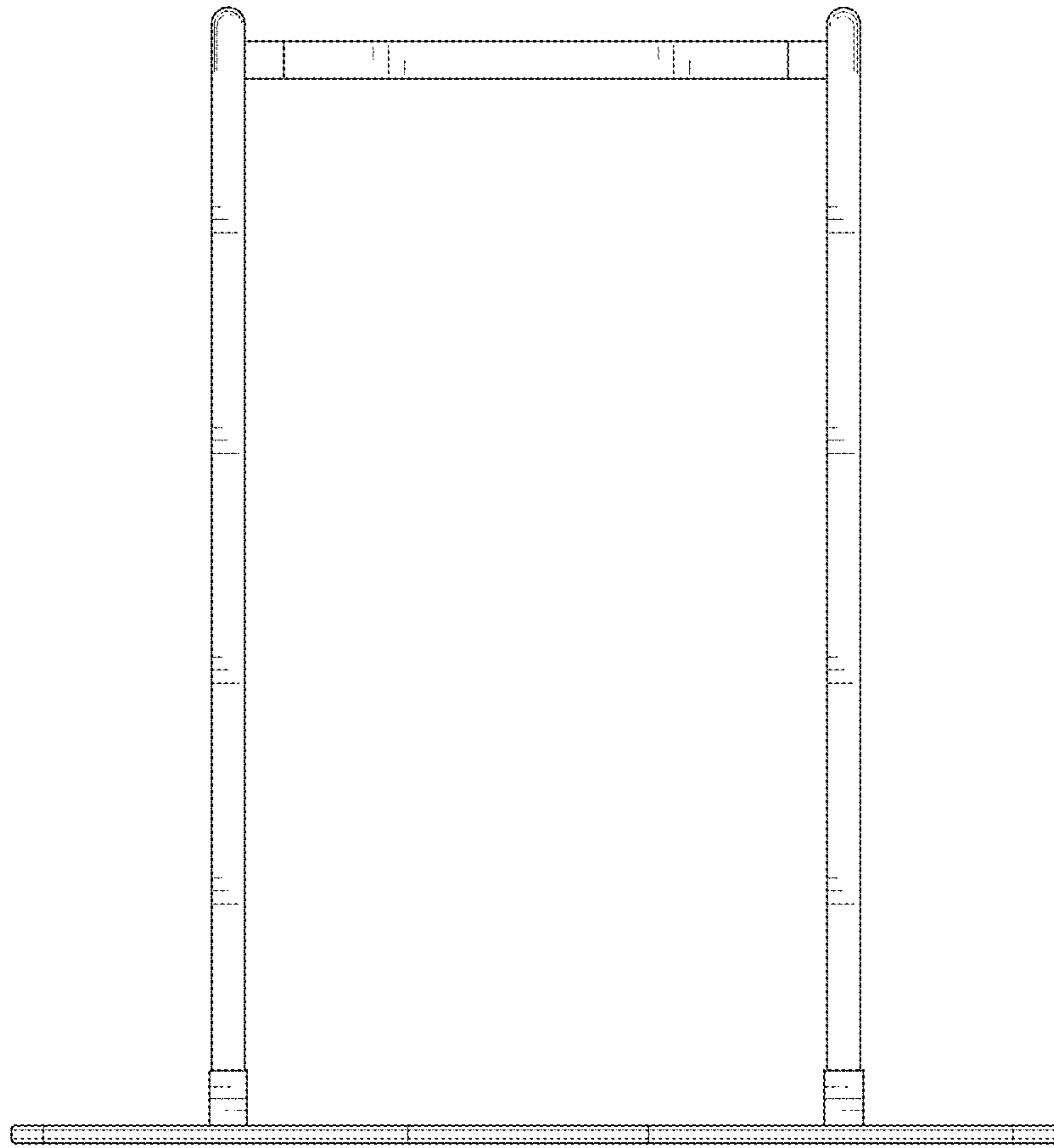


FIG. 2

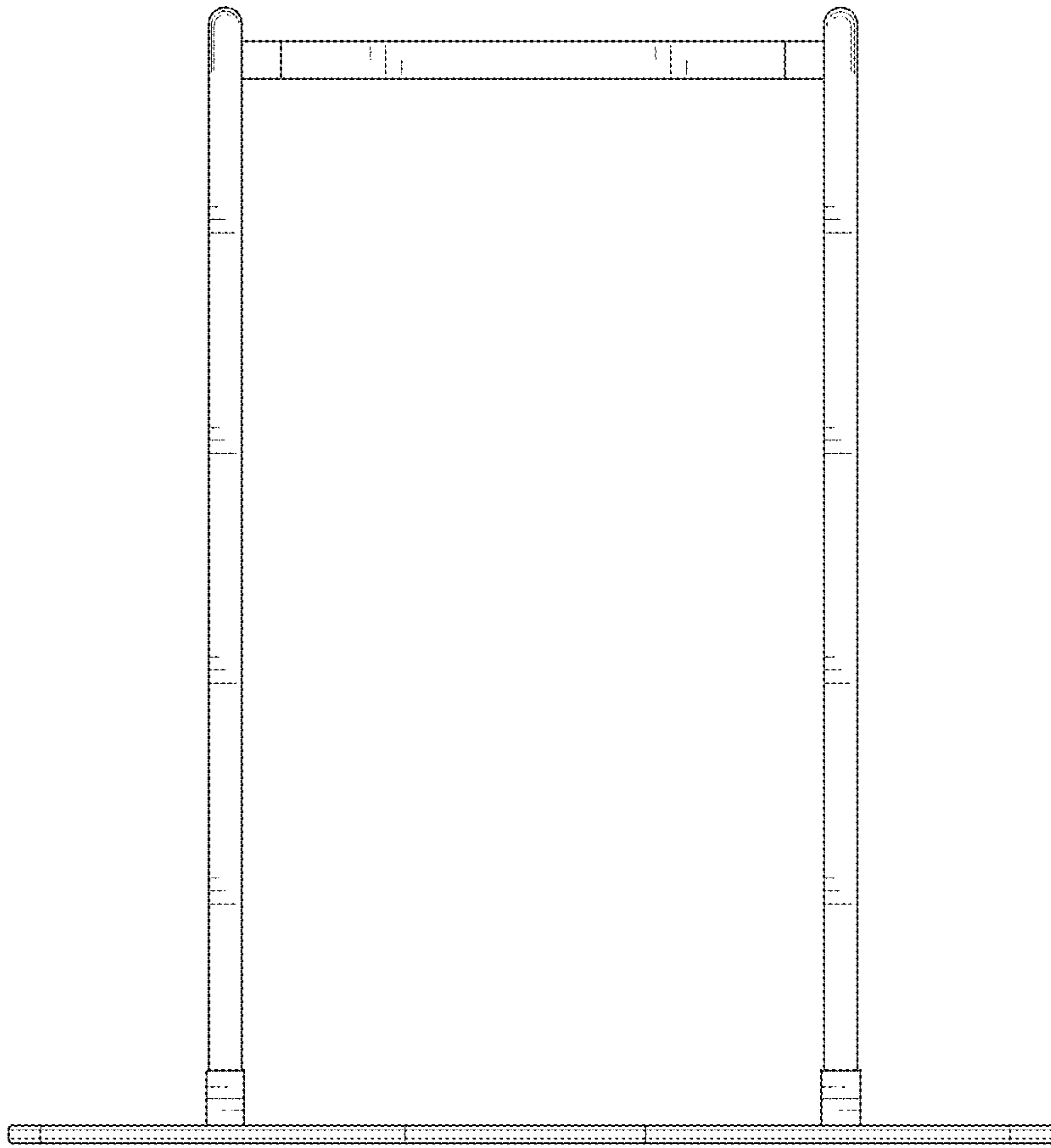


FIG. 3

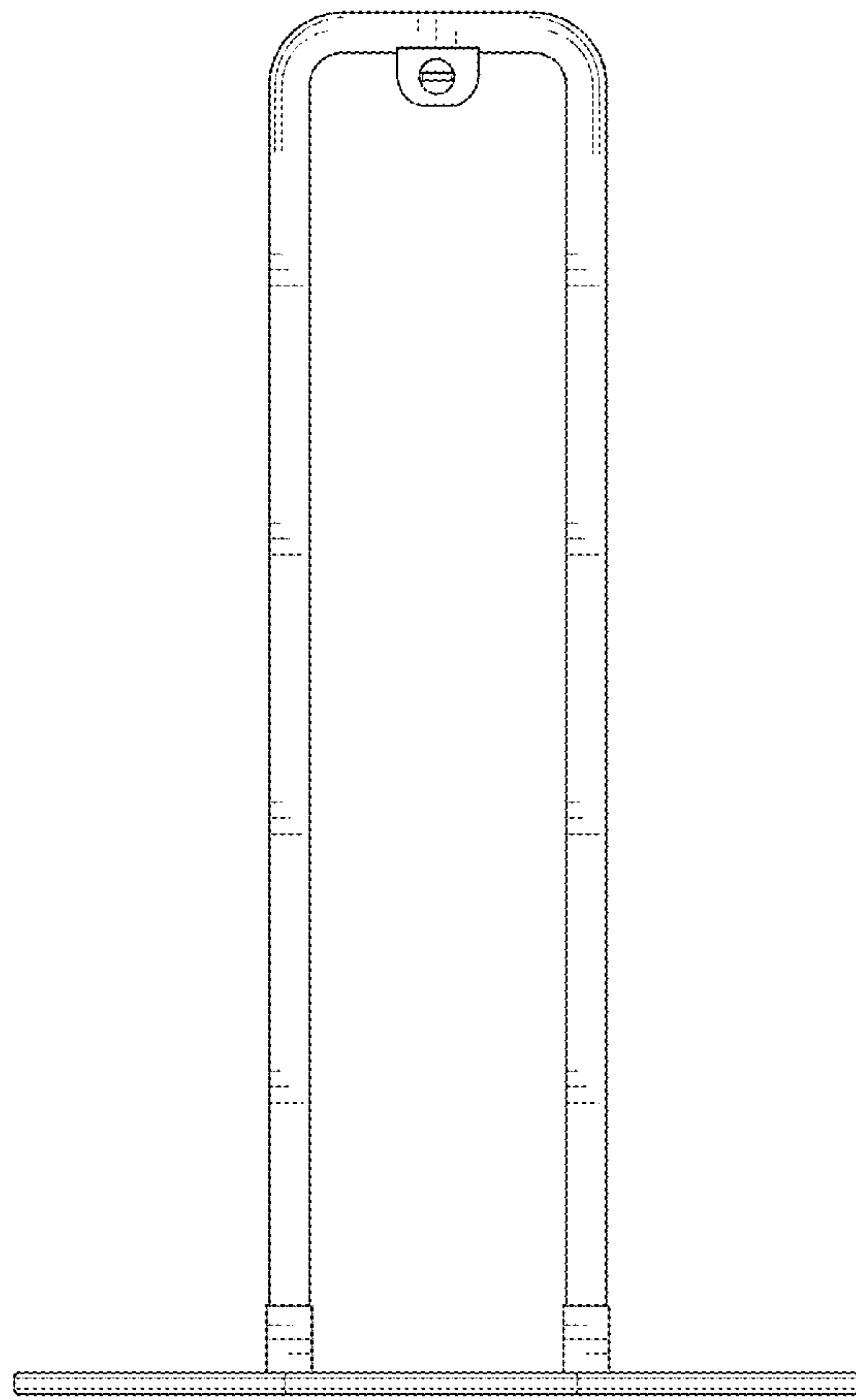


FIG. 4

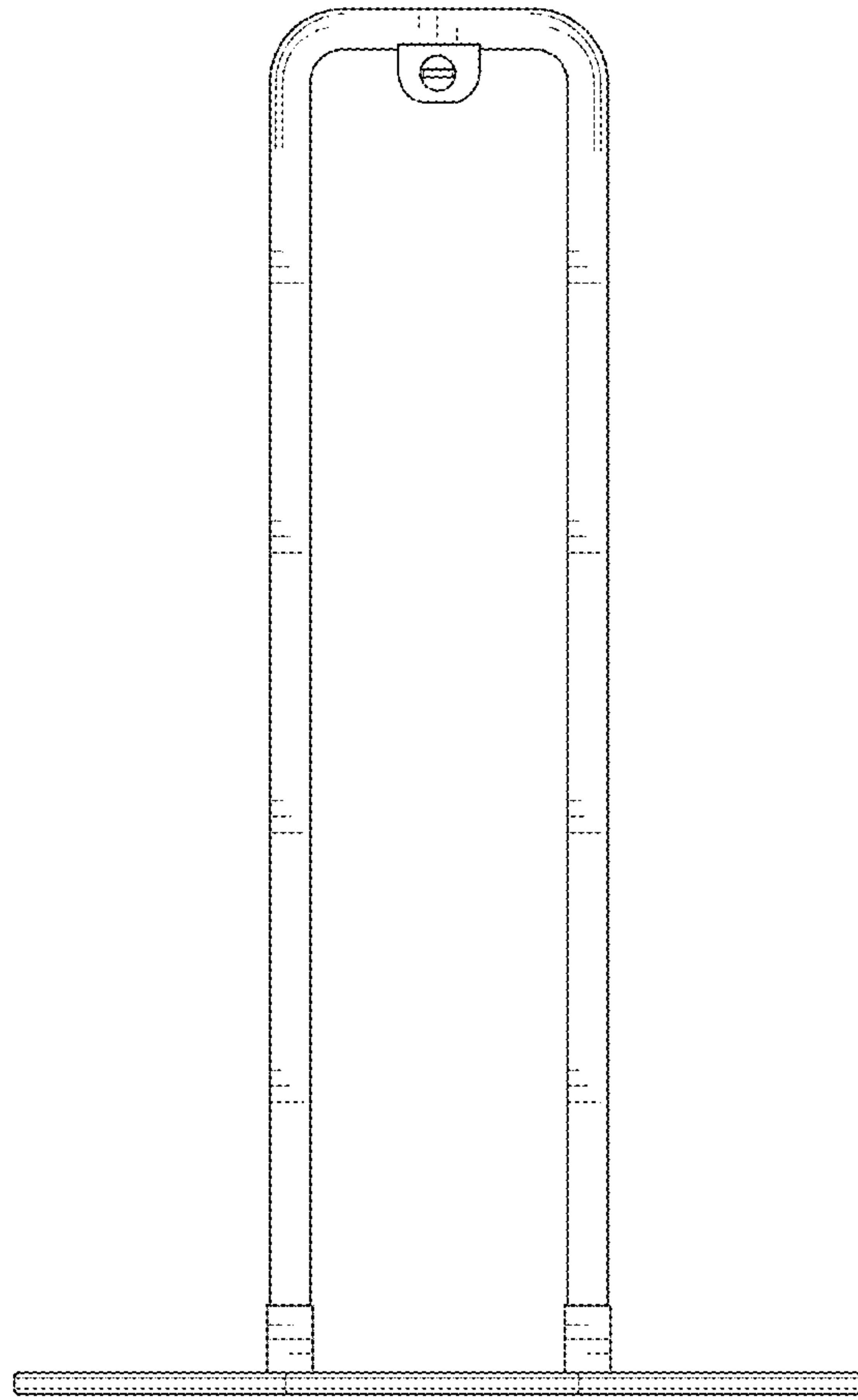


FIG. 5

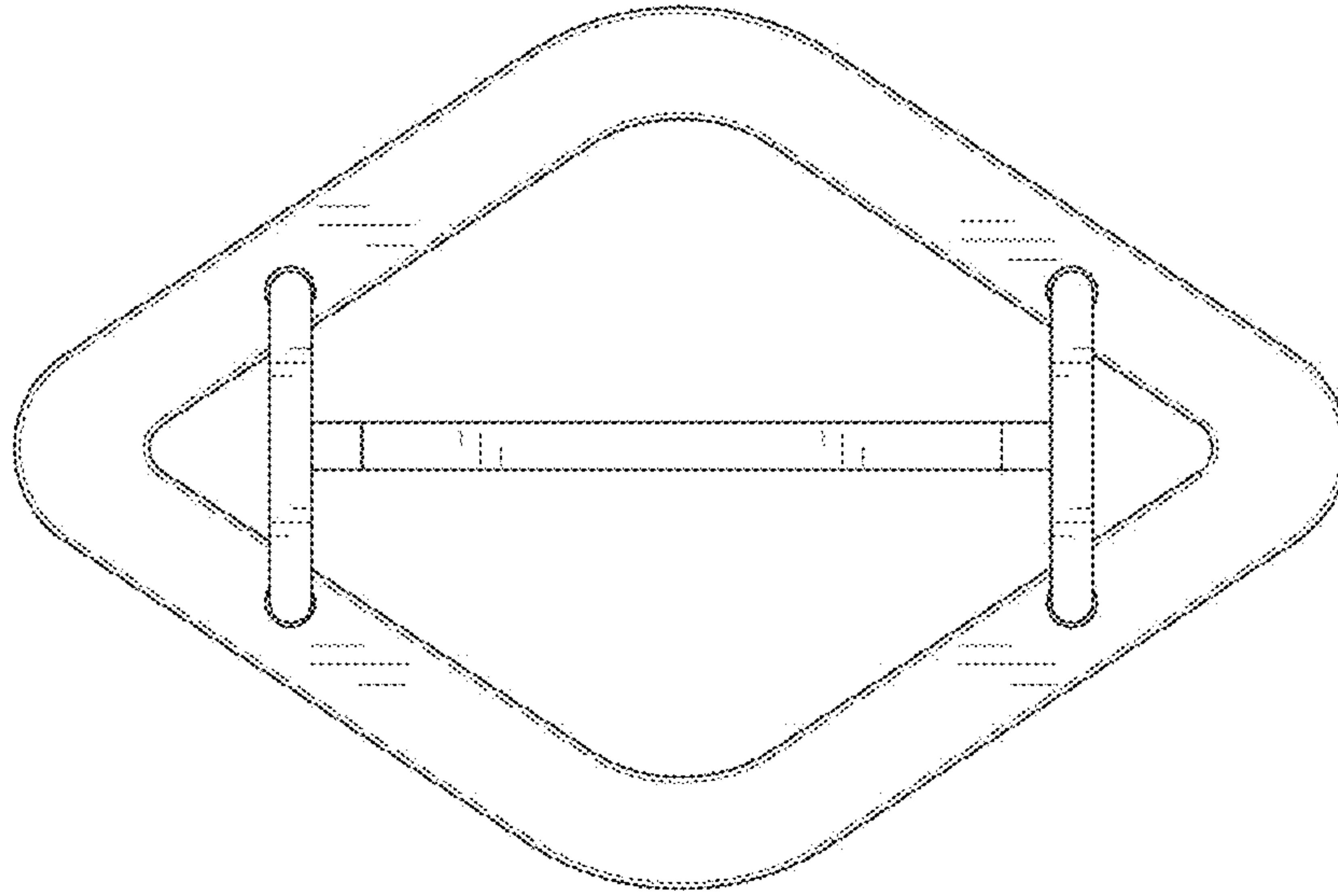


FIG. 6



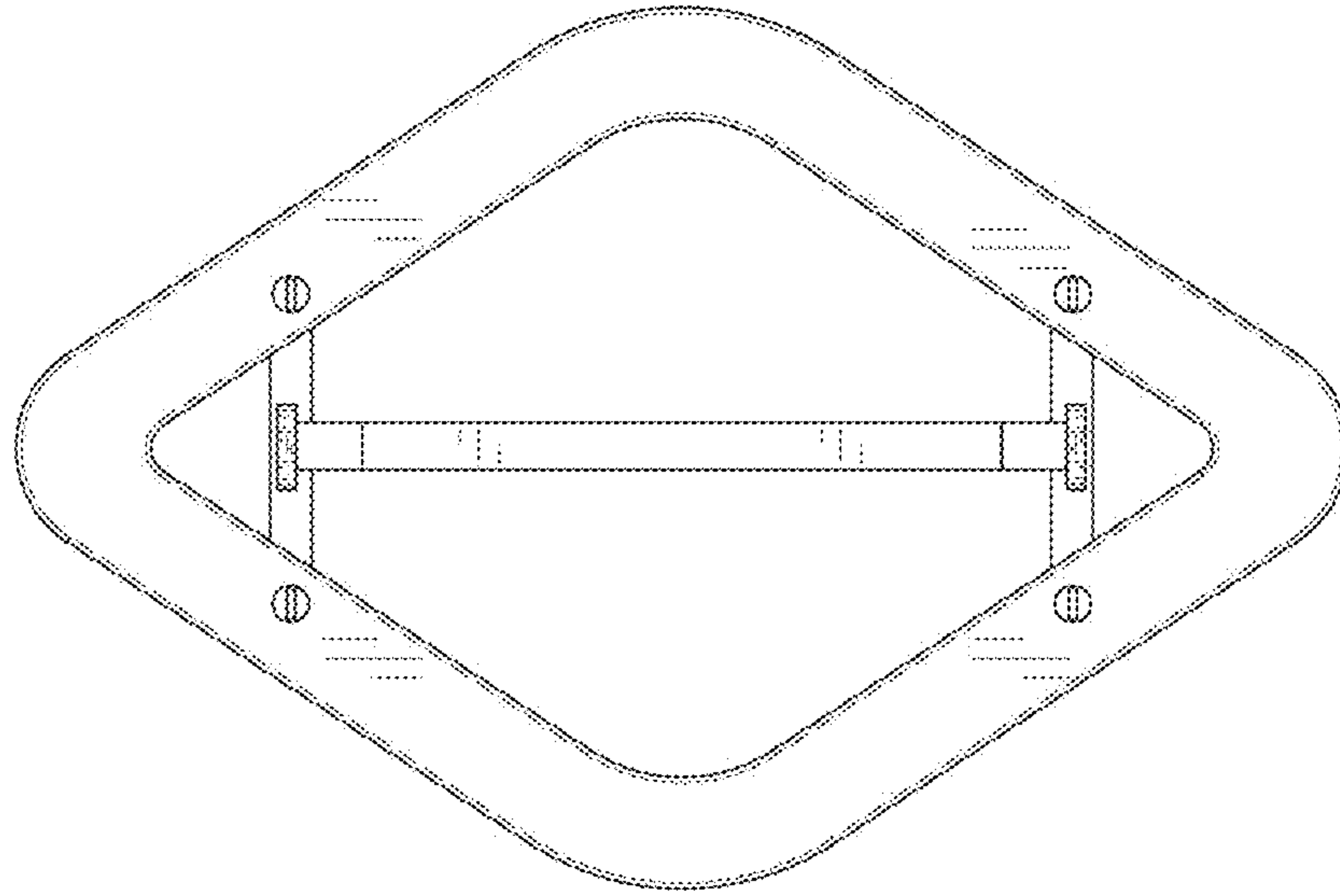


FIG. 7