



US00D988759S

(12) **United States Design Patent** (10) **Patent No.:** **US D988,759 S**
Xu (45) **Date of Patent:** **** Jun. 13, 2023**

(54) **SHELF**
(71) Applicant: **Dongguan Haoxi Technology Co., Ltd.**, Guangdong (CN)
(72) Inventor: **Zimin Xu**, Guangdong (CN)
(**) Term: **15 Years**
(21) Appl. No.: **29/822,488**
(22) Filed: **Jan. 10, 2022**
(51) **LOC (14) Cl.** **06-04**
(52) **U.S. Cl.**
USPC **D6/674**
(58) **Field of Classification Search**
USPC D6/672, 674, 675, 677, 553, 559, 563, D6/567, 572, 573, 574; D11/121, 122, D11/125
CPC A47B 43/003; A47B 43/04; A47B 47/04; A47F 3/00; A47F 5/0018; A47F 5/0025; A47F 5/08; A47F 5/0876
See application file for complete search history.

D851,965 S * 6/2019 Chiang D6/672
D885,801 S * 6/2020 Walker D6/672
D890,553 S * 7/2020 Walker D6/672
D891,828 S * 8/2020 Glaser D6/675
D891,829 S * 8/2020 Glaser D6/675
D892,521 S * 8/2020 Lai D6/675.3
D893,222 S * 8/2020 Tseng D6/678
D893,924 S * 8/2020 Lai D6/675.1
D901,933 S * 11/2020 Chiang D6/553
D904,791 S * 12/2020 Chiang D6/574
D916,525 S * 4/2021 Pan D6/574
D920,003 S * 5/2021 Pan D6/572
D920,020 S 5/2021 Adams et al.
D921,402 S * 6/2021 Young D6/678.1
D922,794 S * 6/2021 Chiang D6/573
D925,255 S * 7/2021 Walker D6/672
D935,246 S 11/2021 Peng
D947,572 S * 4/2022 Wu D6/567
D950,975 S * 5/2022 Castrianni D6/567
D954,451 S * 6/2022 Adkison D6/300
D961,295 S * 8/2022 Rubin D6/567

* cited by examiner

Primary Examiner — Steven J Czyz
(74) *Attorney, Agent, or Firm* — Justin Lampel

(57) **CLAIM**

The ornamental design for a shelf, as shown and described.

DESCRIPTION

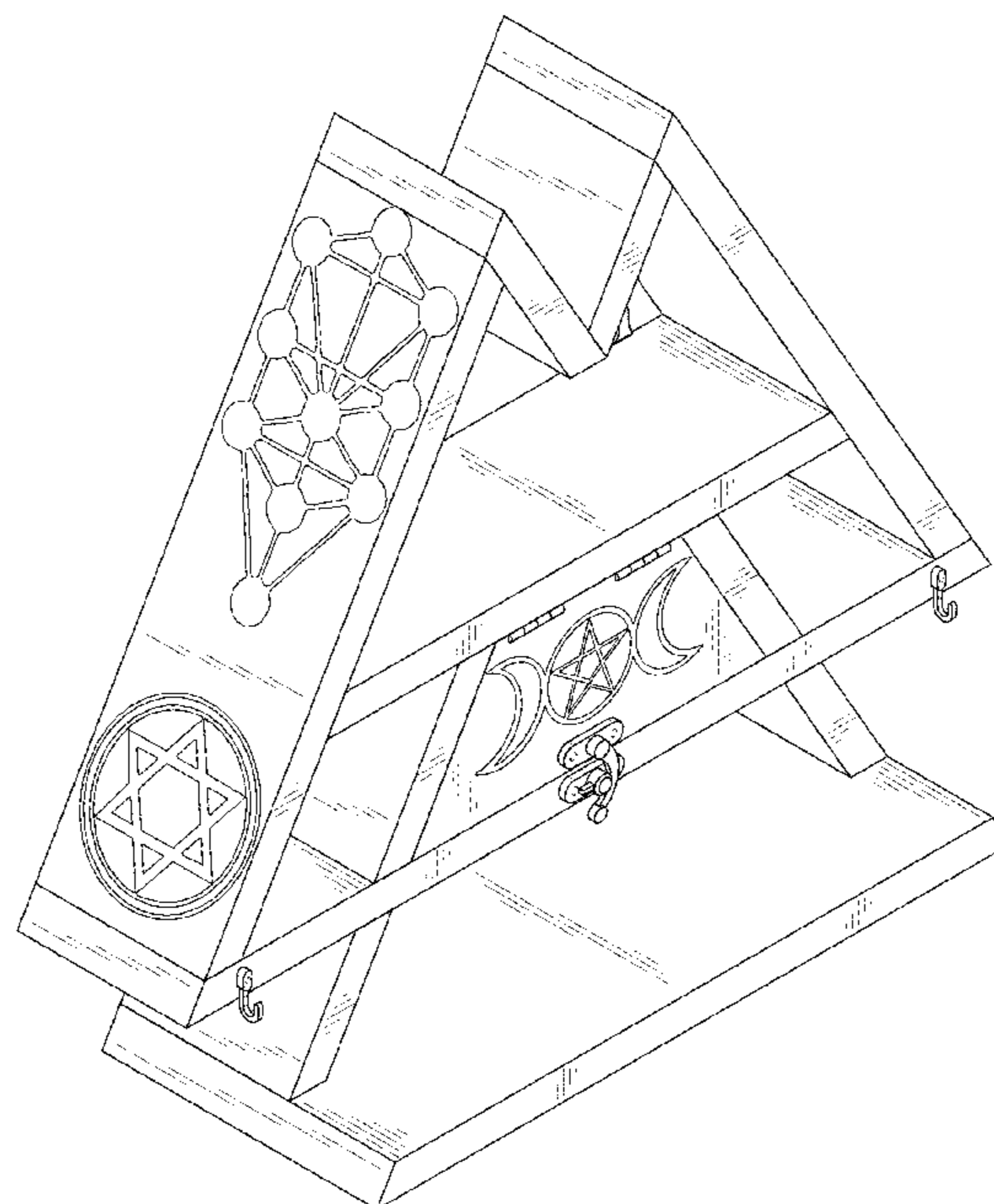
FIG. 1 is a front, right, and top perspective view of a shelf, showing my design.
FIG. 2 is a rear, left, and bottom perspective view.
FIG. 3 is a front elevation view.
FIG. 4 is a rear elevation view.
FIG. 5 is a left side elevation view.
FIG. 6 is a right side elevation view.
FIG. 7 is a top plan view; and,
FIG. 8 is a bottom plan view.

1 Claim, 8 Drawing Sheets

(56) **References Cited**

U.S. PATENT DOCUMENTS

D243,052 S * 1/1977 Green D6/675
D307,839 S * 5/1990 Johnson, Jr. D6/674
D330,129 S * 10/1992 Kelly D6/674
D345,275 S * 3/1994 Picotte D6/571
D359,635 S * 6/1995 Muntener D6/674
D375,646 S * 11/1996 Stewart D6/552
D382,433 S * 8/1997 Bova D6/563
D440,795 S * 4/2001 Matty D6/674
D544,726 S * 6/2007 Cauley D6/674
D597,343 S * 8/2009 Thakur D6/683.1
D600,944 S * 9/2009 McConnell D6/675
D639,581 S * 6/2011 Fenno D6/674
D685,673 S * 7/2013 Dorn D11/122



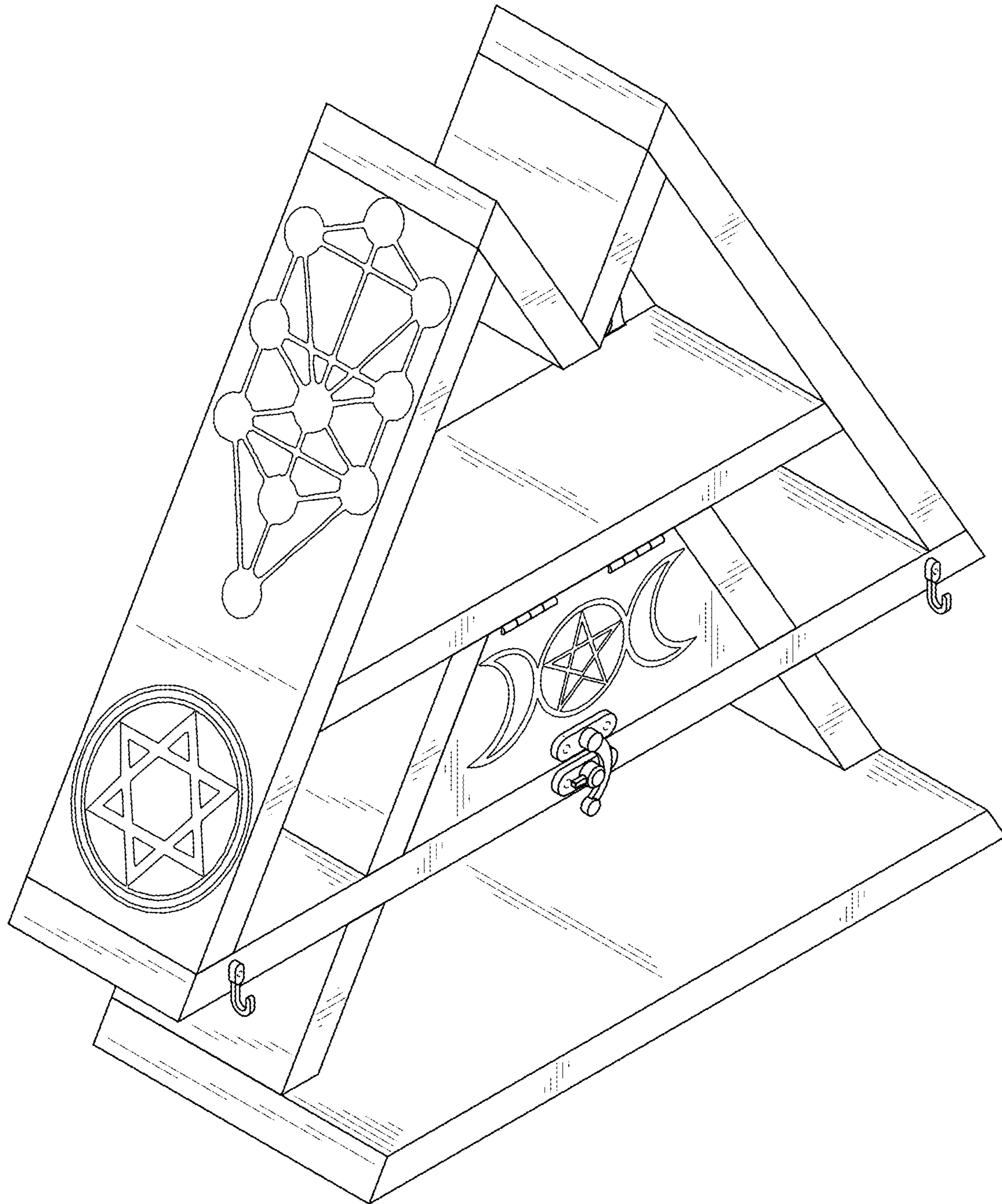


FIG. 1

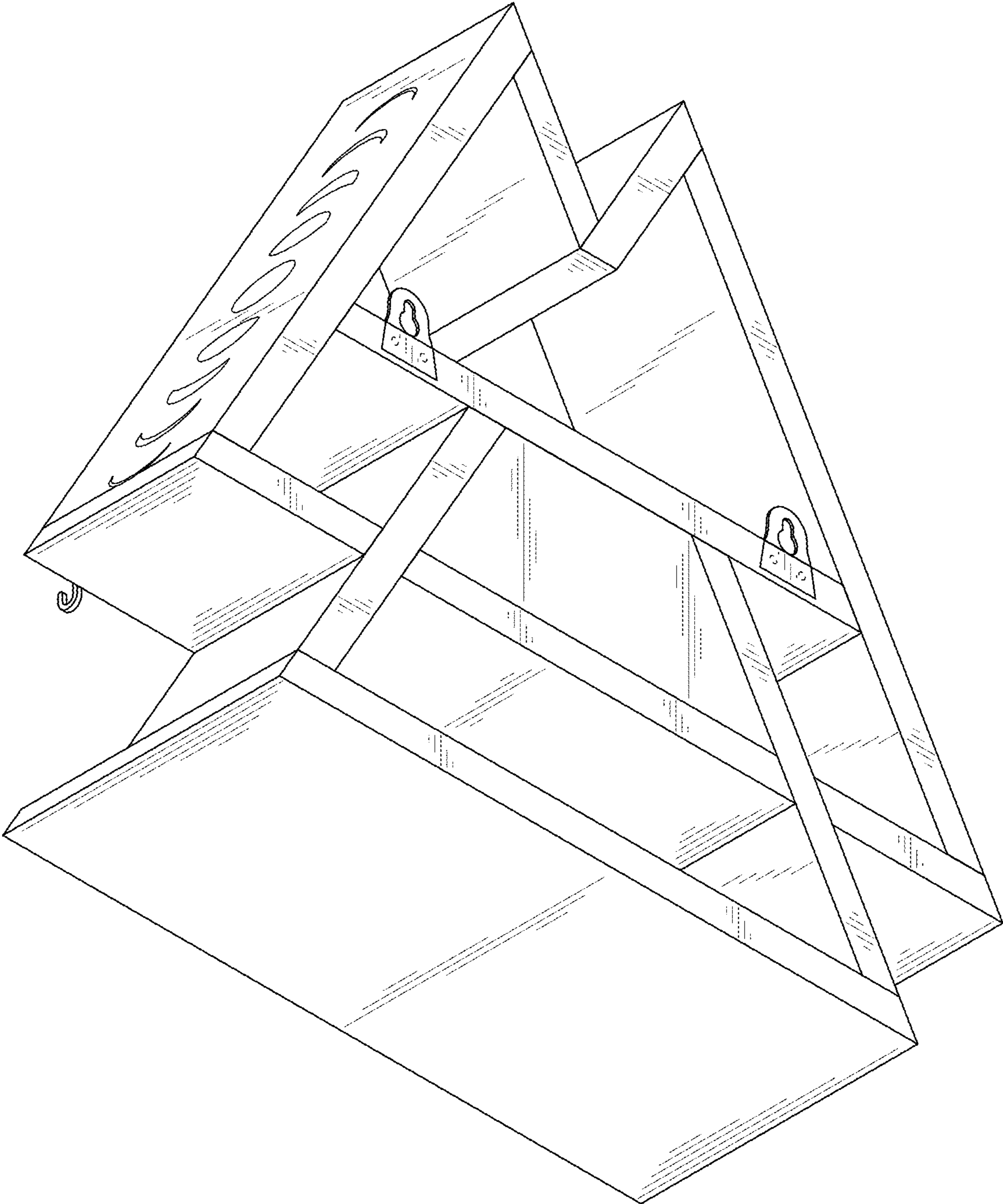


FIG. 2

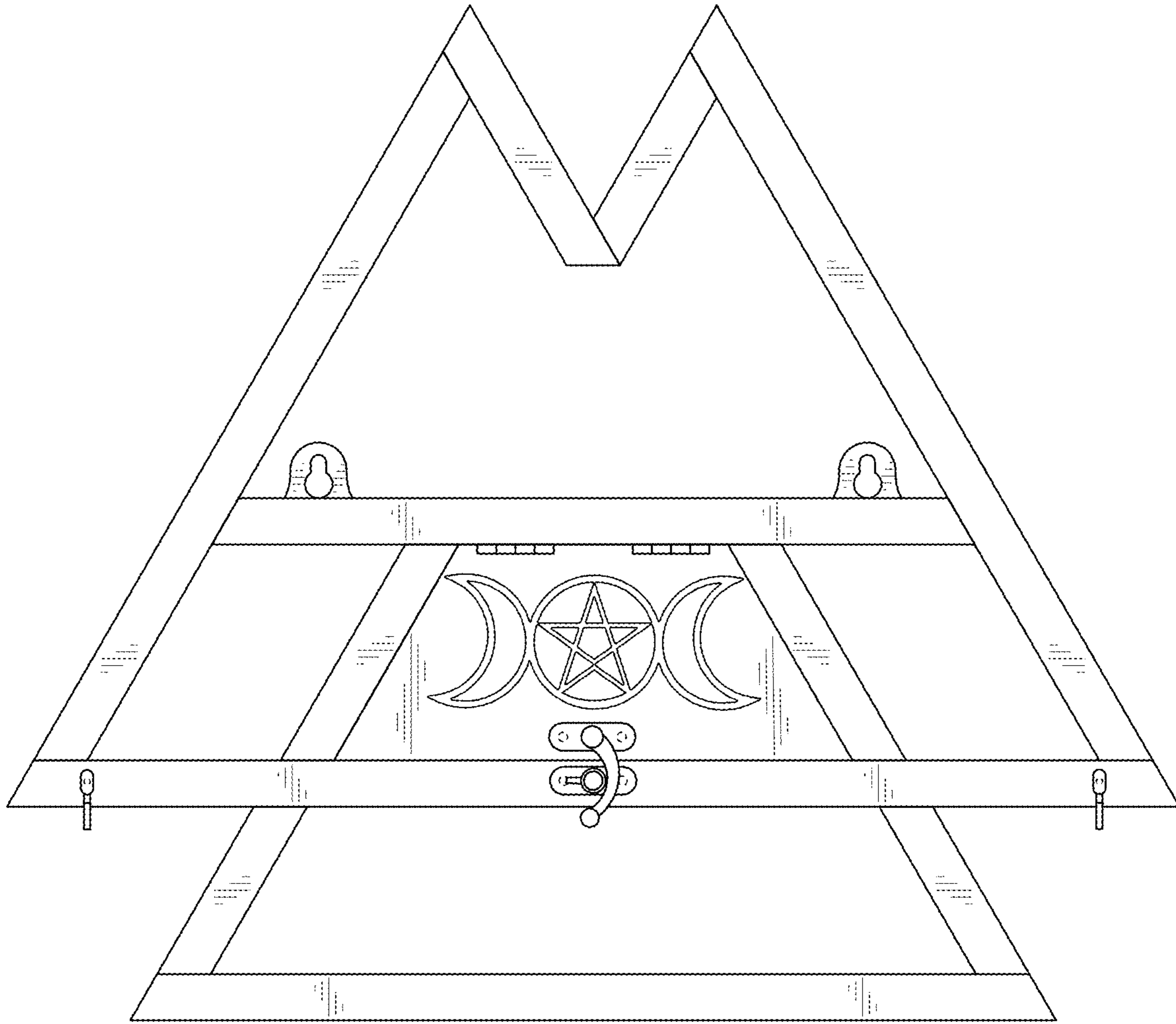


FIG. 3

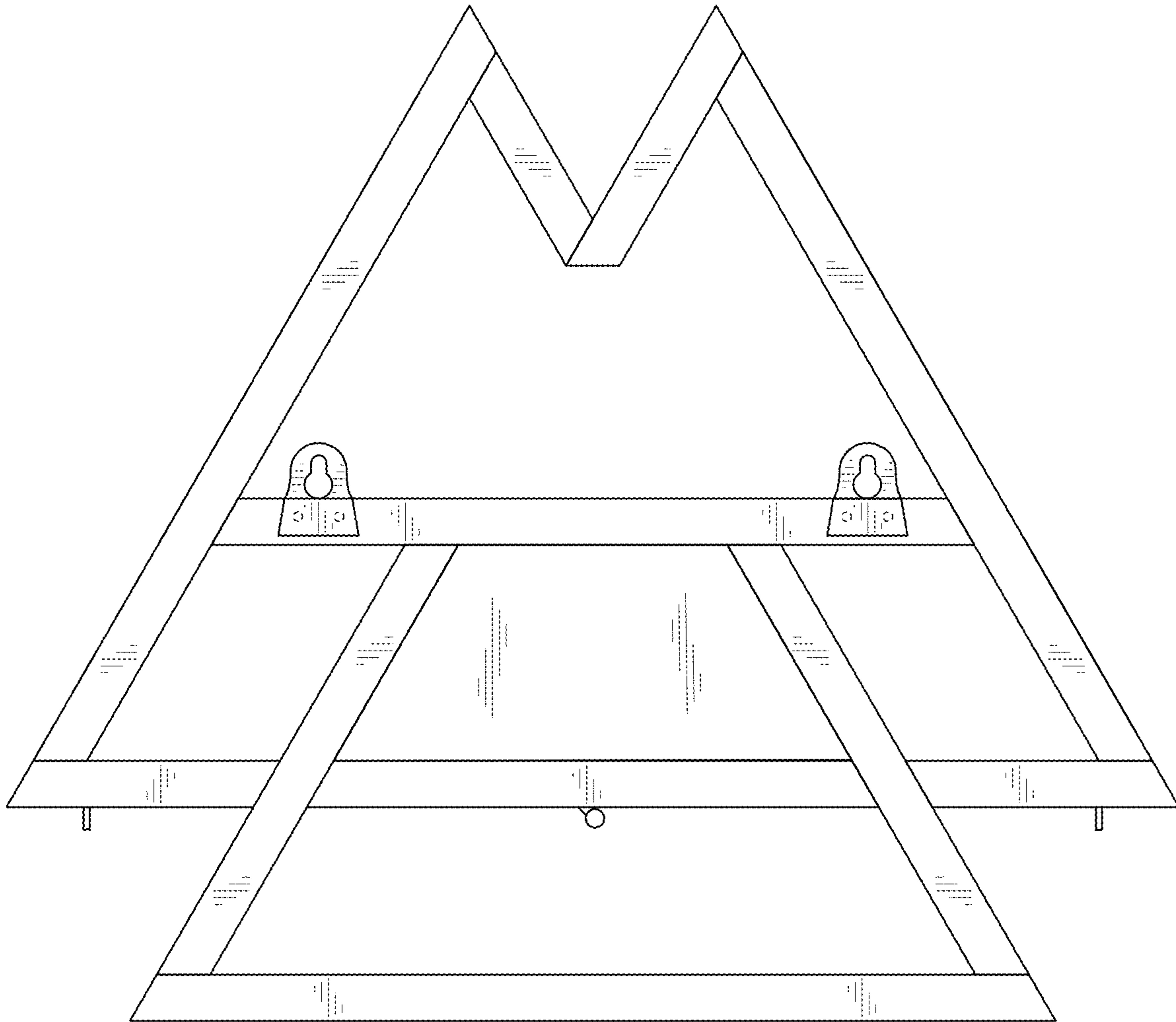


FIG. 4

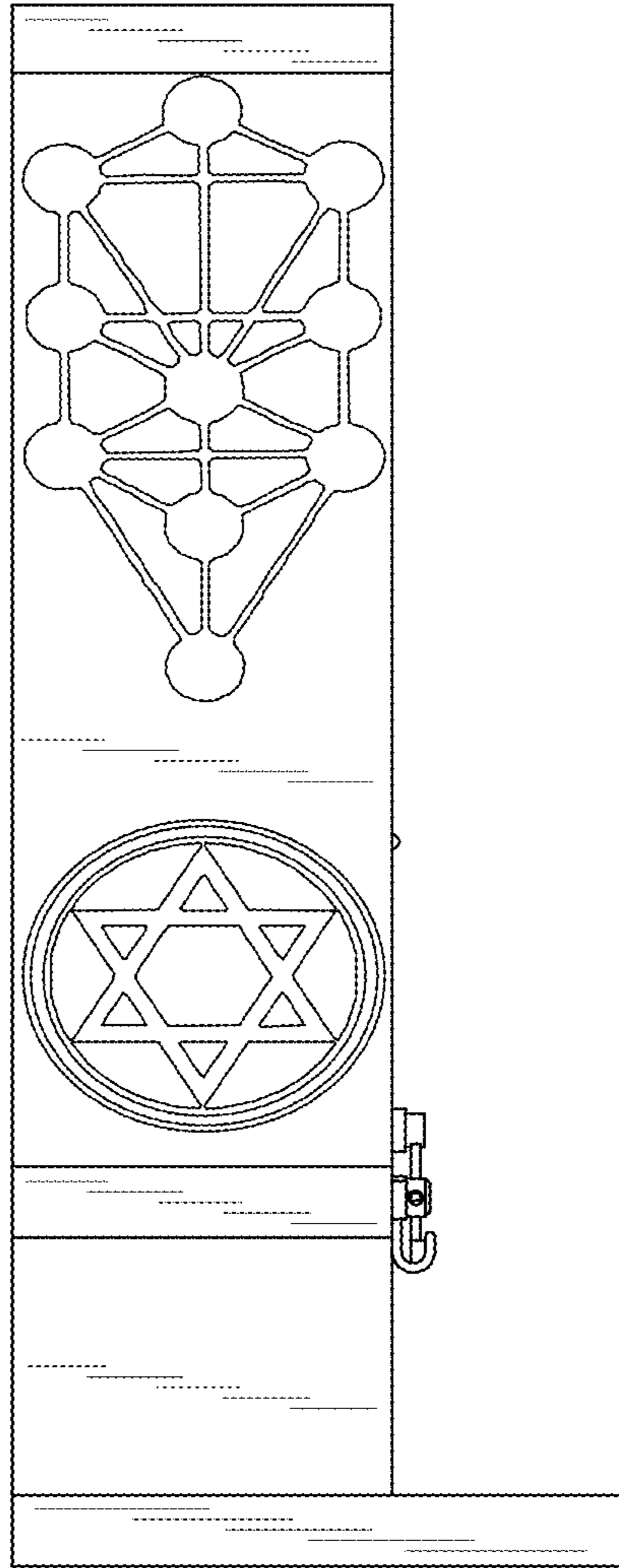


FIG. 5

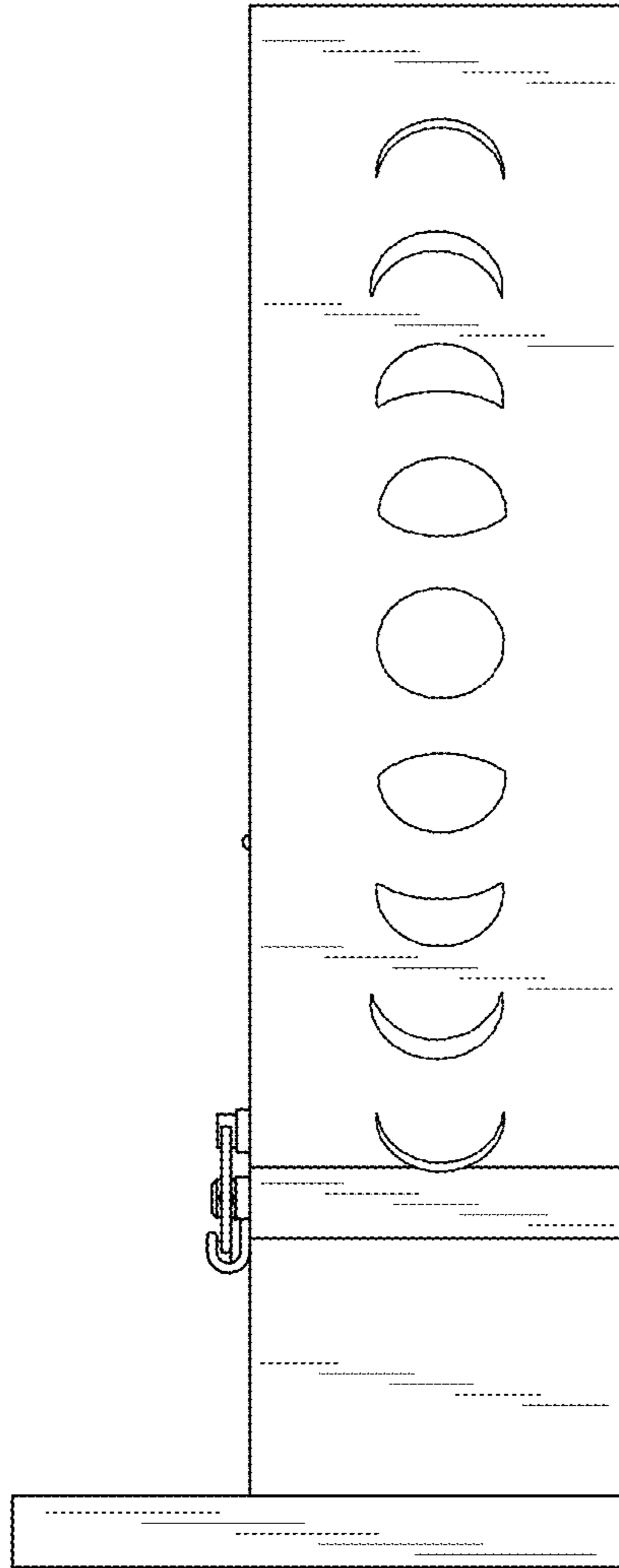


FIG. 6

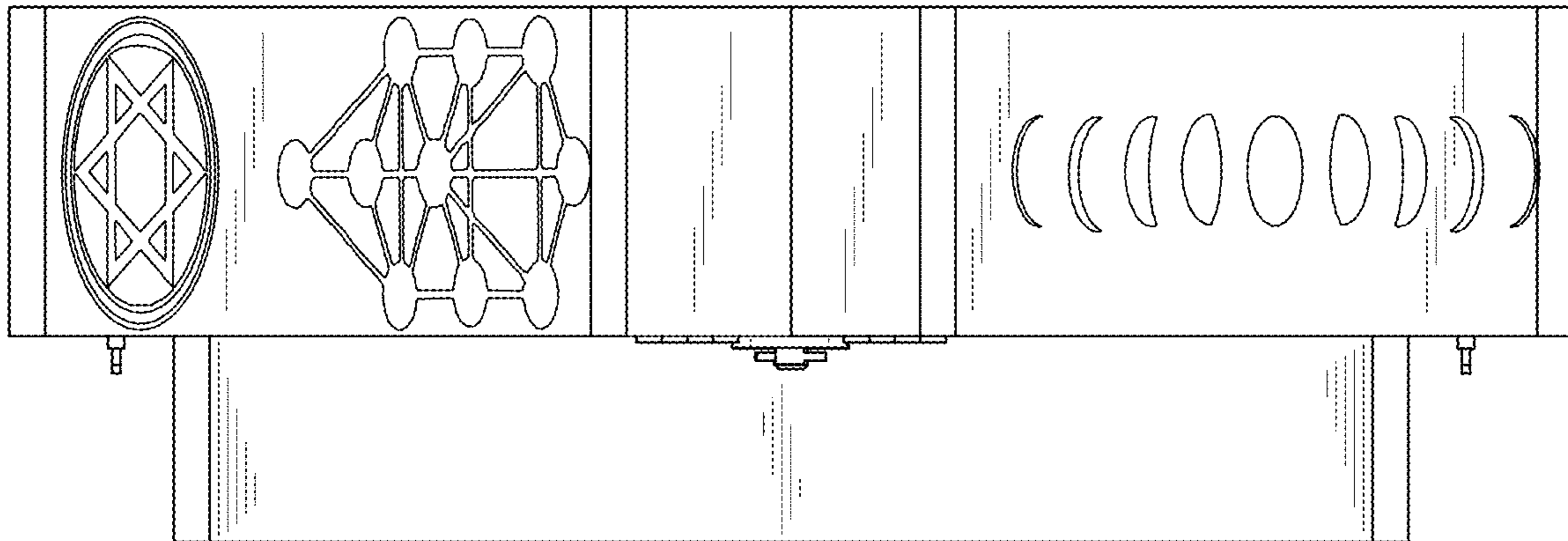


FIG. 7

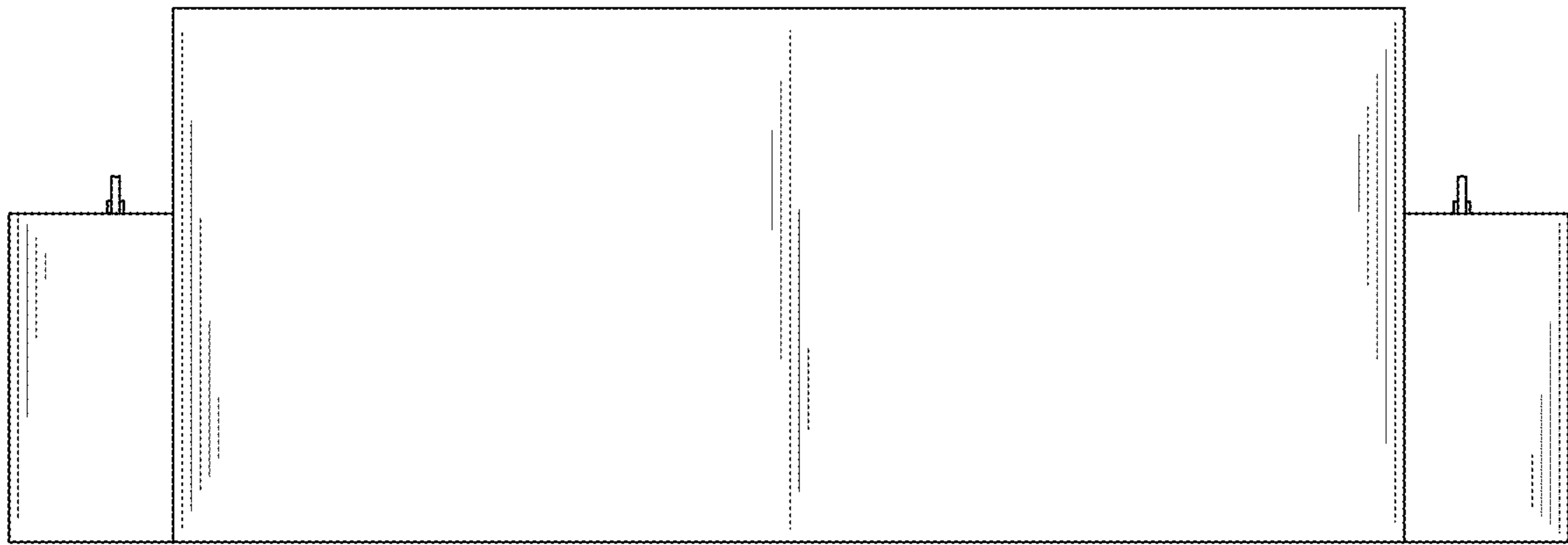


FIG. 8