



US00D988755S

(12) **United States Design Patent**
Lindell

(10) **Patent No.:** **US D988,755 S**
(45) **Date of Patent:** **** Jun. 13, 2023**

(54) **SITTING PAD WITH HOLSTER**

(71) Applicant: **JIM LINDELL'S QK DRAW
HOLSTER, LLC**, Kansas City, MO
(US)

(72) Inventor: **James W. Lindell**, Kansas City, MO
(US)

(73) Assignee: **JIM LINDELL'S QK DRAW
HOLSTER, LLC**, Kansas City, MO
(US)

(**) Term: **15 Years**

(21) Appl. No.: **29/757,777**

(22) Filed: **Nov. 9, 2020**

(51) **LOC (14) Cl.** **06-09**

(52) **U.S. Cl.**
USPC **D6/601; D3/222**

(58) **Field of Classification Search**
USPC D3/215, 220-226, 228-230, 254, 262,
D3/269, 303, 318, 327-328;
D22/108-109, 199; D6/601, 606, 611
CPC A45F 5/02; A45F 5/021; F41C 33/0227;
F41C 33/0254; F41C 33/0263; F41C
33/048; F41C 33/0209; F41C 33/045;
F41C 33/041; F41C 33/002

See application file for complete search history.

(56) **References Cited**

U.S. PATENT DOCUMENTS

D321,606 S	*	11/1991	McKinney	D6/601
D340,814 S	*	11/1993	Grant	D6/601
D357,609 S	*	4/1995	Webb	D6/601
D543,353 S	*	5/2007	Carver	D3/222
D543,354 S	*	5/2007	Carver	D3/222

(Continued)

OTHER PUBLICATIONS

Concealed Carry Car Seat Gun Holster, first available Aug. 5, 2021,
amazon.com [online], [site visited Oct. 18, 2022], Available at URL:

<https://www.amazon.com/Concealed-Holster-Magazine-Flashlight-Anti-Slip/dp/B09BZDHP17> (Year: 2021).*

(Continued)

Primary Examiner — Jeffrey D Asch

Assistant Examiner — Caitlin A Laverty

(74) *Attorney, Agent, or Firm* — Shook, Hardy & Bacon
L.L.P.

(57) **CLAIM**

The ornamental design for a sitting pad with holster, as shown and described.

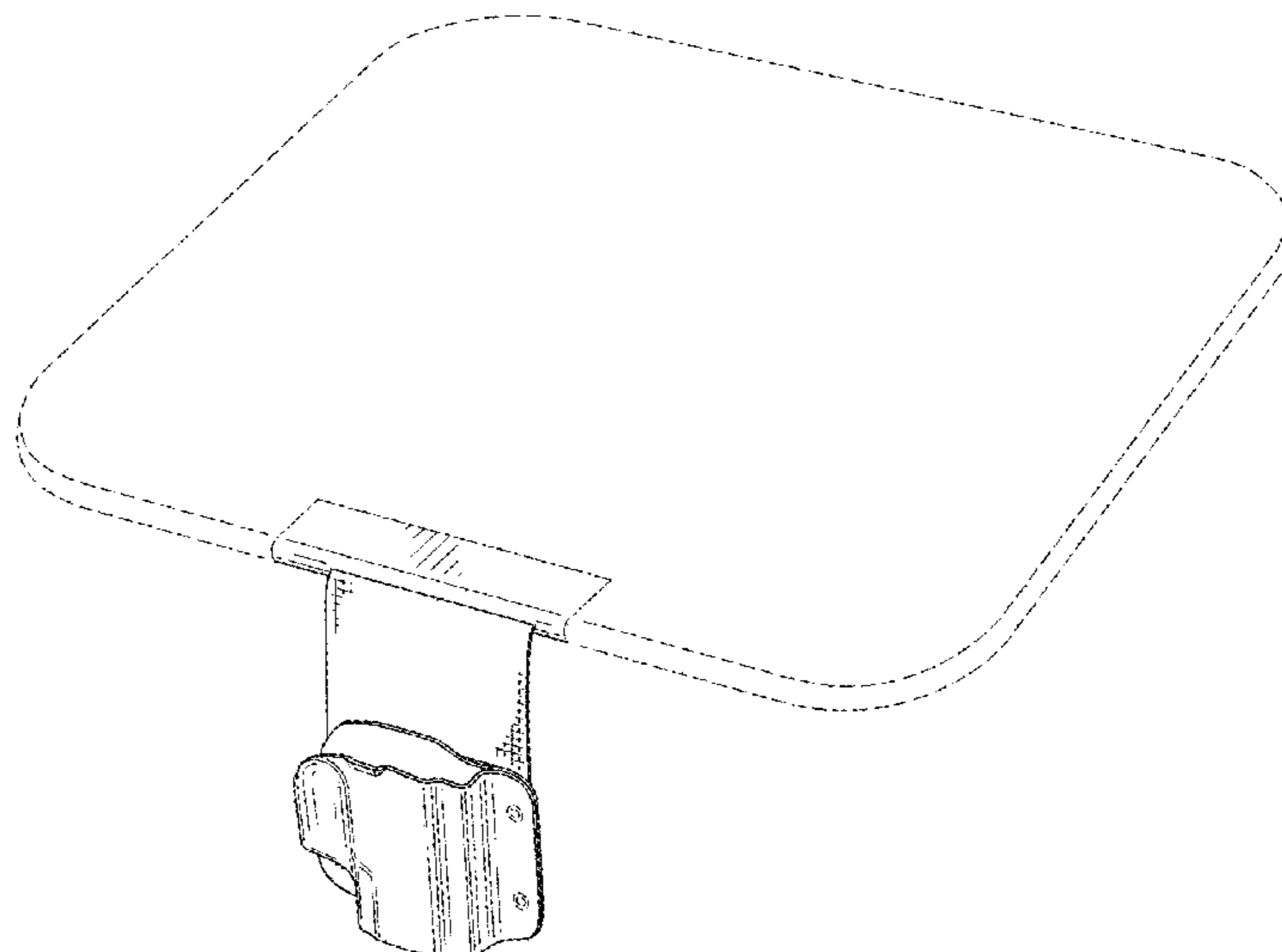
DESCRIPTION

FIG. 1 is a top perspective view of an embodiment of the sitting pad with holster of the present invention; FIG. 2 is a front elevation view thereof; FIG. 3 is a right side elevation view thereof; FIG. 4 is a rear elevation view thereof; FIG. 5 is a left side elevation view thereof; FIG. 6 is a top plan view thereof; and, FIG. 7 is a bottom plan view thereof.

The evenly spaced broken lines shown in the drawings are directed to environment, are for informational purposes only, and form no part of the claimed design. The long and short broken lines are boundary lines which define the bounds of the claimed design. These boundaries do not exist in reality in the article embodying the design. It is understood that the claimed design extends to these boundaries but do not include the boundaries. The evenly spaced broken lines within the stippled feature of FIG. 7 represent stitching that does not form part of the claimed design.

The sitting pad shown fully in FIG. 1, is shown enlarged and fragmentary using symbolic break lines in FIGS. 2-7 solely to allow for larger showings of the features included in the claimed design.

1 Claim, 4 Drawing Sheets



(56)

References Cited

U.S. PATENT DOCUMENTS

D600,050 S * 9/2009 Freeman D6/716.1
D637,433 S * 5/2011 Mould D6/601
D696,532 S * 12/2013 von Saher A47C 7/62
D6/611
D723,796 S * 3/2015 Resca D3/222
D728,271 S * 5/2015 Cohen D6/601
D782,848 S * 4/2017 Fernandez D6/596
D853,110 S * 7/2019 Sereday D3/222
D881,557 S * 4/2020 Houck D3/222
D913,686 S * 3/2021 Houck D3/222
D917,878 S * 5/2021 Huang D3/222
D928,503 S * 8/2021 Cai D3/222
D945,149 S * 3/2022 Zhang D3/222
D961,917 S * 8/2022 You D3/222
11,506,467 B2 * 11/2022 Mayse F41C 33/041

OTHER PUBLICATIONS

Tactical Seat Covers, first available Jan. 7, 2021, amazon.com [online], [site visited Oct. 18, 2022], Available at URL: <https://www.amazon.com/Tactical-Covers-Holster-Pocket-Concealed/dp/B08SC6QXQD> (Year: 2021).*

* cited by examiner

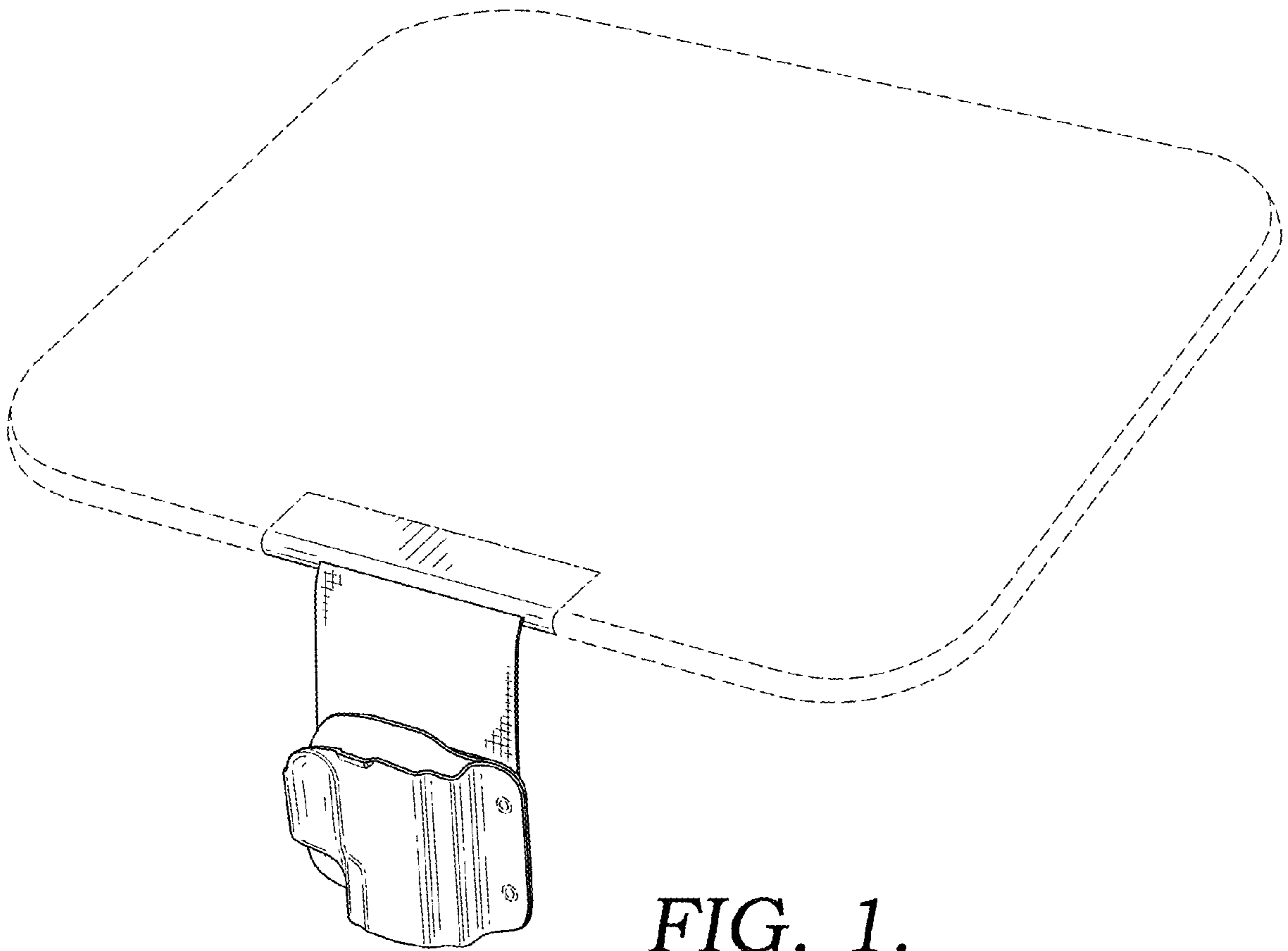


FIG. 1.

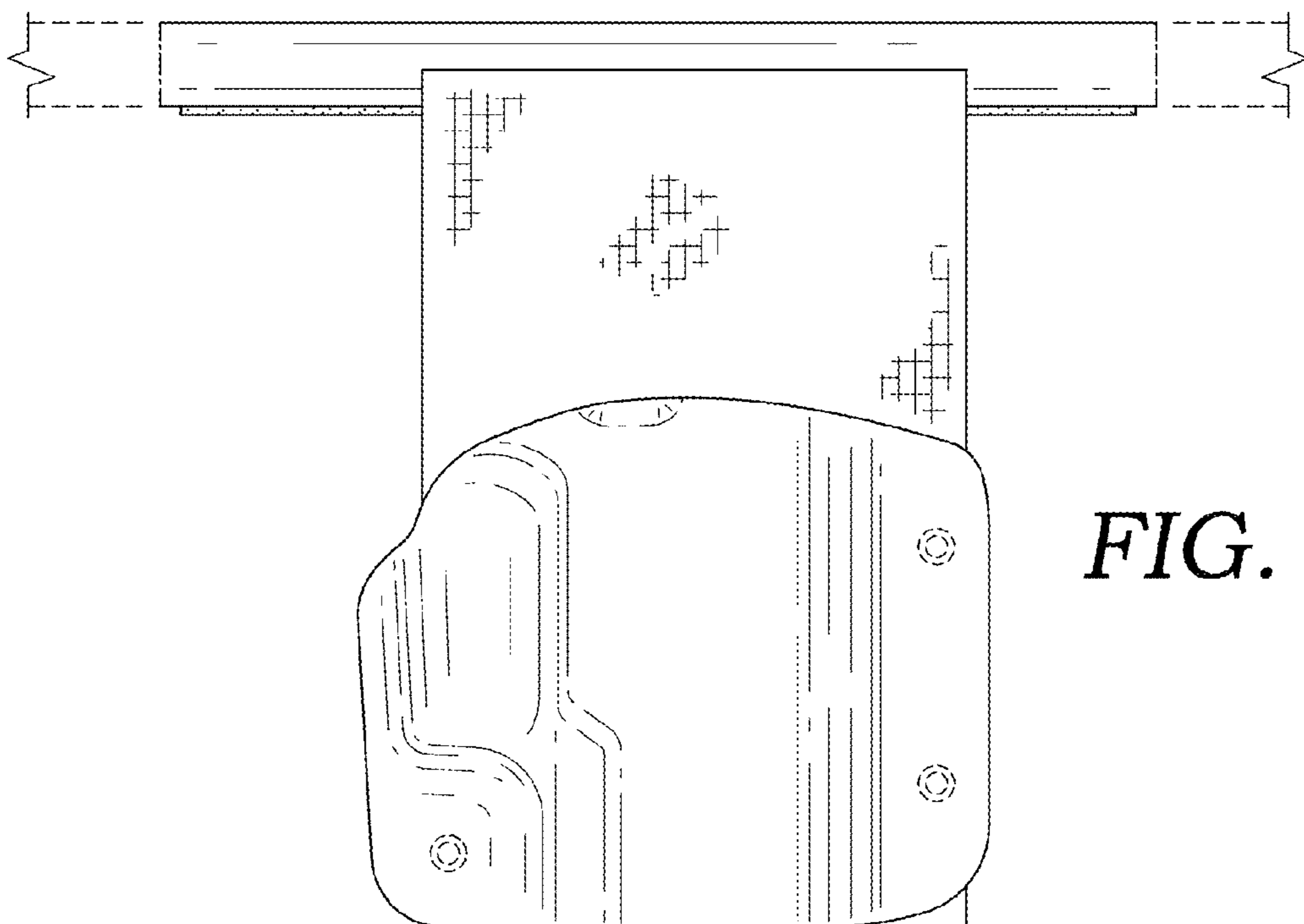
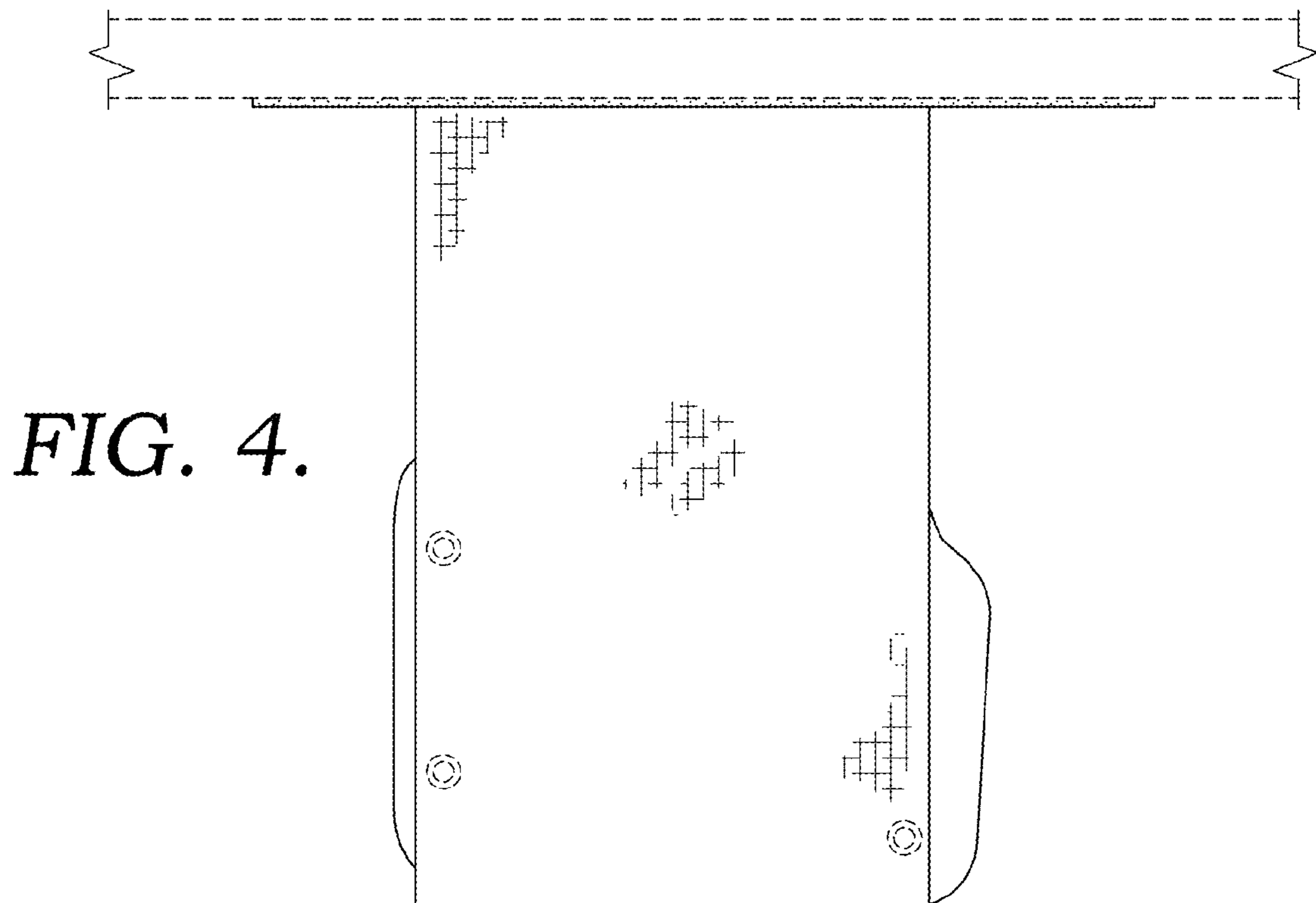
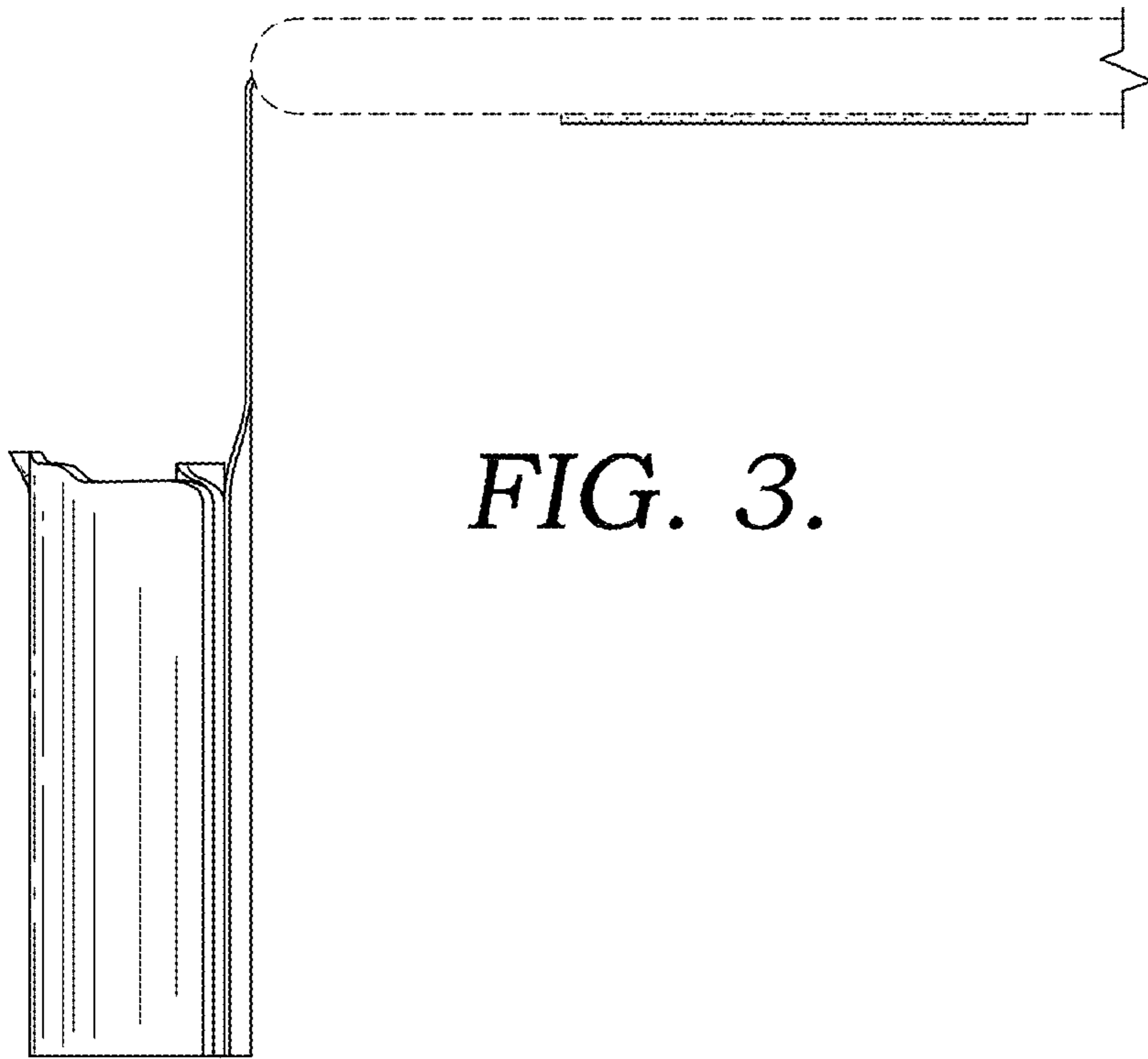
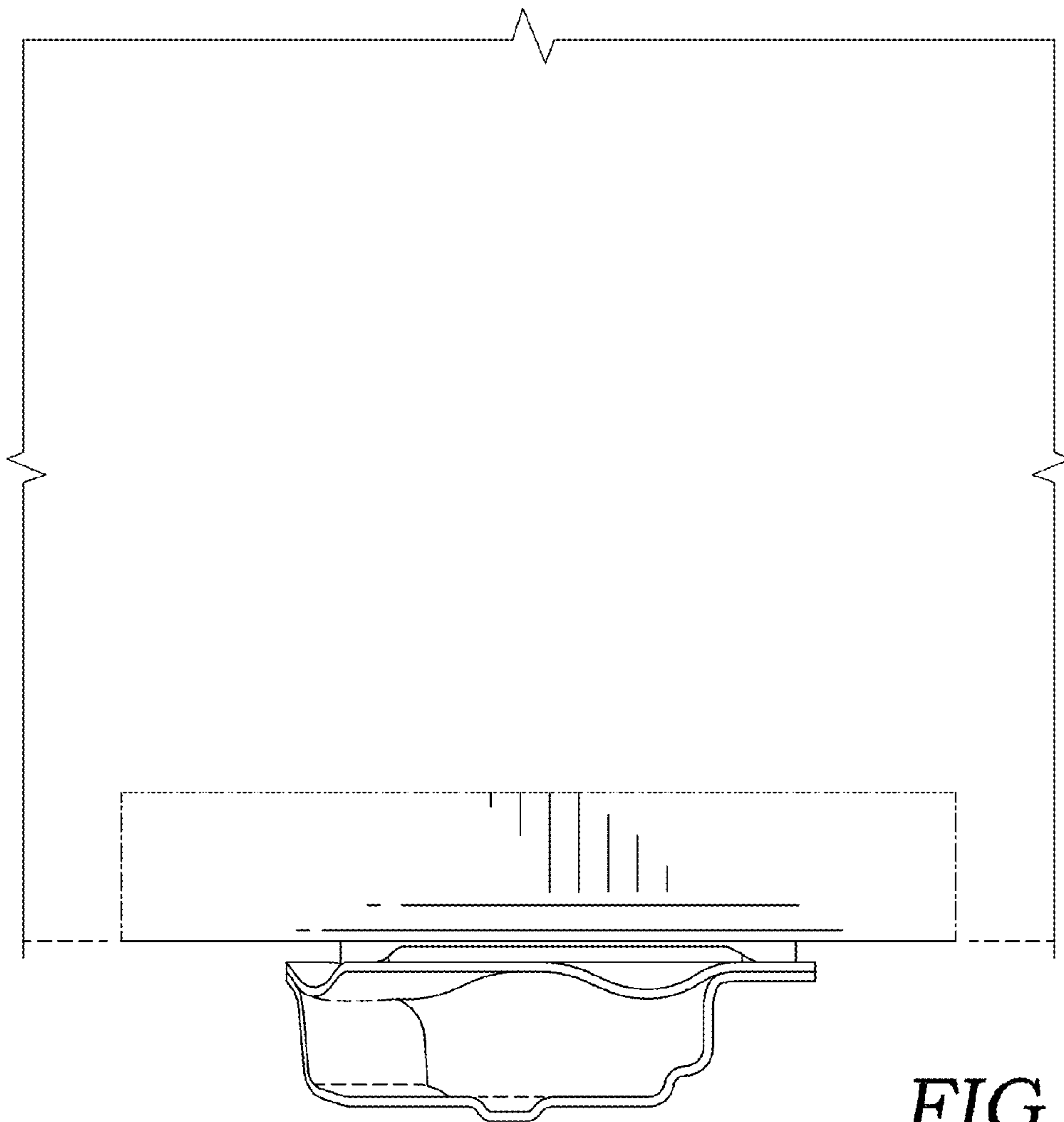
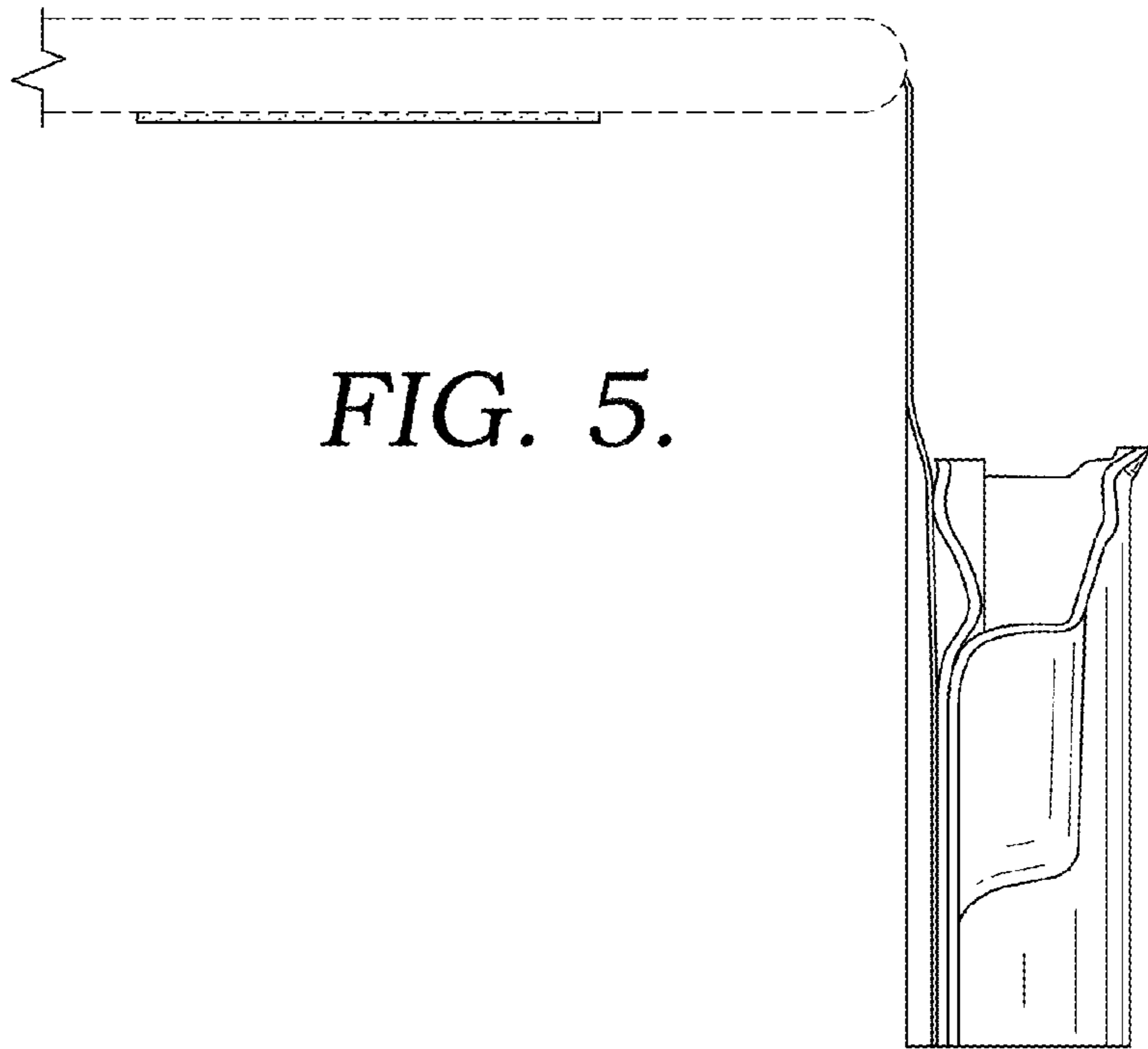


FIG. 2.





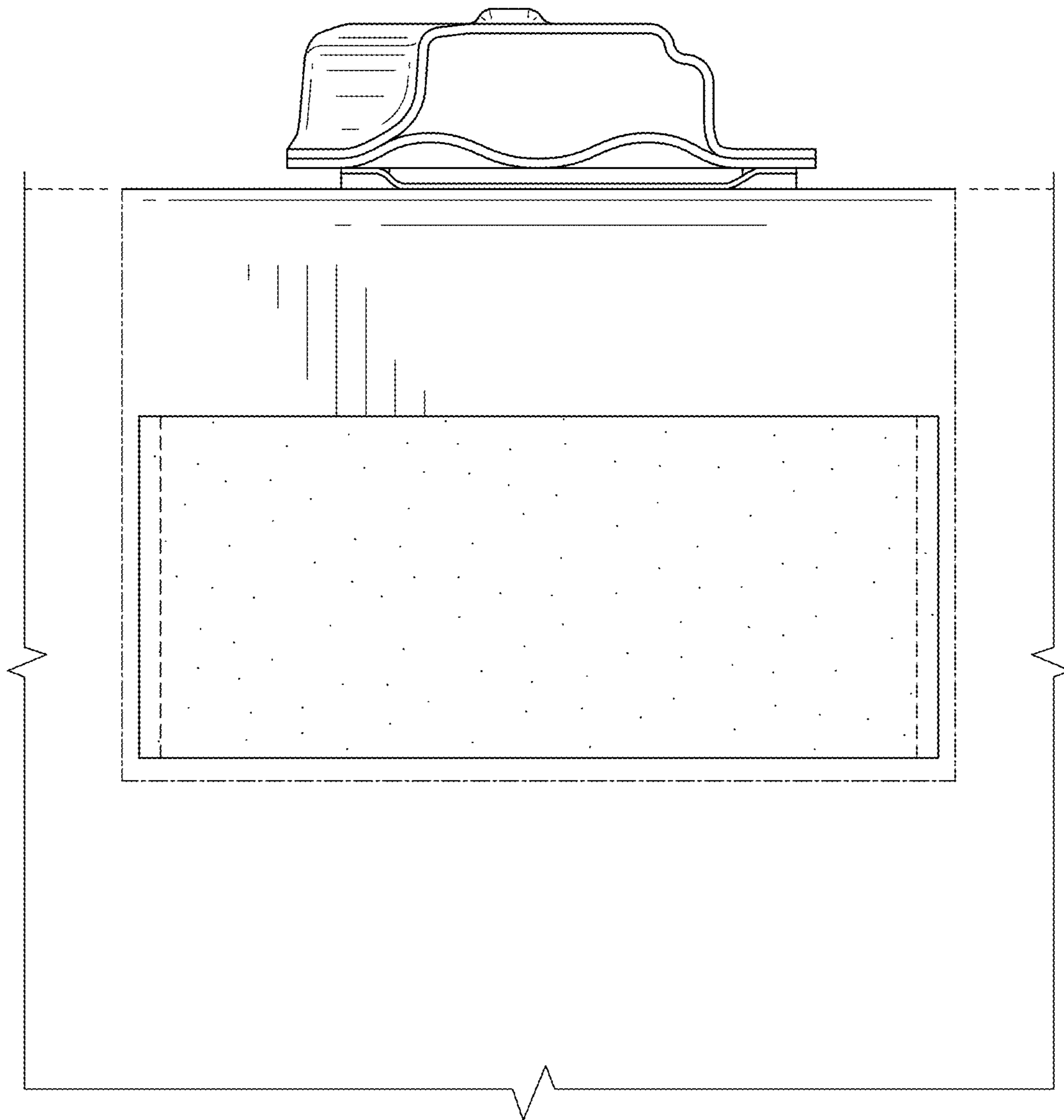


FIG. 7.