



US00D988753S

(12) **United States Design Patent**
Chen

(10) **Patent No.:** **US D988,753 S**

(45) **Date of Patent:** **** Jun. 13, 2023**

- (54) **VENETIAN BLIND SLAT**
- (71) Applicant: **SHEEN WORLD TECHNOLOGY CORPORATION**, Taichung (TW)
- (72) Inventor: **Po-Yu Chen**, Taichung (TW)
- (73) Assignee: **SHEEN WORLD TECHNOLOGY CORPORATION**, Taichung (TW)
- (**) Term: **15 Years**
- (21) Appl. No.: **29/810,671**
- (22) Filed: **Oct. 7, 2021**
- (51) **LOC (14) Cl.** **06-10**
- (52) **U.S. Cl.**
USPC **D6/580**
- (58) **Field of Classification Search**
USPC D6/575-577, 579-581
CPC ... E06B 9/323; E06B 9/26; E06B 9/24; E06B 9/264; E06B 9/266; E06B 9/326; E06B 9/386; E06B 9/388; E06B 9/40; E06B 9/42; E06B 9/78
See application file for complete search history.

(56) **References Cited**

U.S. PATENT DOCUMENTS

- 380,930 A * 4/1888 Poppert E06B 7/084 D25/48.1
- 1,954,464 A * 4/1934 Violette E06B 9/0638 160/172 R
- 4,458,740 A * 7/1984 Anderson E06B 9/28 160/174 R
- 4,625,868 A * 12/1986 Bischof E06B 9/386 206/326
- 5,918,656 A * 7/1999 Daniels E06B 9/388 24/130
- D698,583 S * 2/2014 Lin D6/580
- D699,050 S * 2/2014 Lin D6/580
- 8,844,603 B1 * 9/2014 Anti E06B 9/307 160/176.1 R

- 10,030,440 B2 * 7/2018 Fonville E06B 9/307
- D903,373 S * 12/2020 Lv E06B 7/084 D6/580
- D948,892 S * 4/2022 Zhou E06B 9/0638 D6/576
- 2010/0071858 A1 * 3/2010 Lai E06B 9/307 160/170
- 2011/0126992 A1 * 6/2011 Yordanova H02S 20/30 160/405
- 2015/0000847 A1 * 1/2015 Chang A47H 23/00 160/178.2
- 2018/0368932 A1 * 12/2018 Krensky A61B 50/20
- 2019/0017317 A1 * 1/2019 Anderson E06B 9/327

FOREIGN PATENT DOCUMENTS

CN 307473940 * 10/2021

* cited by examiner

Primary Examiner — Kevin K Rudzinski

Assistant Examiner — Clare Ann Gannon

(74) *Attorney, Agent, or Firm* — Browdy and Neimark, PLLC

(57) **CLAIM**

The ornamental design for a venetian blind slat, as shown and described.

DESCRIPTION

FIG. 1 is a perspective view of a venetian blind slat, showing the new design;

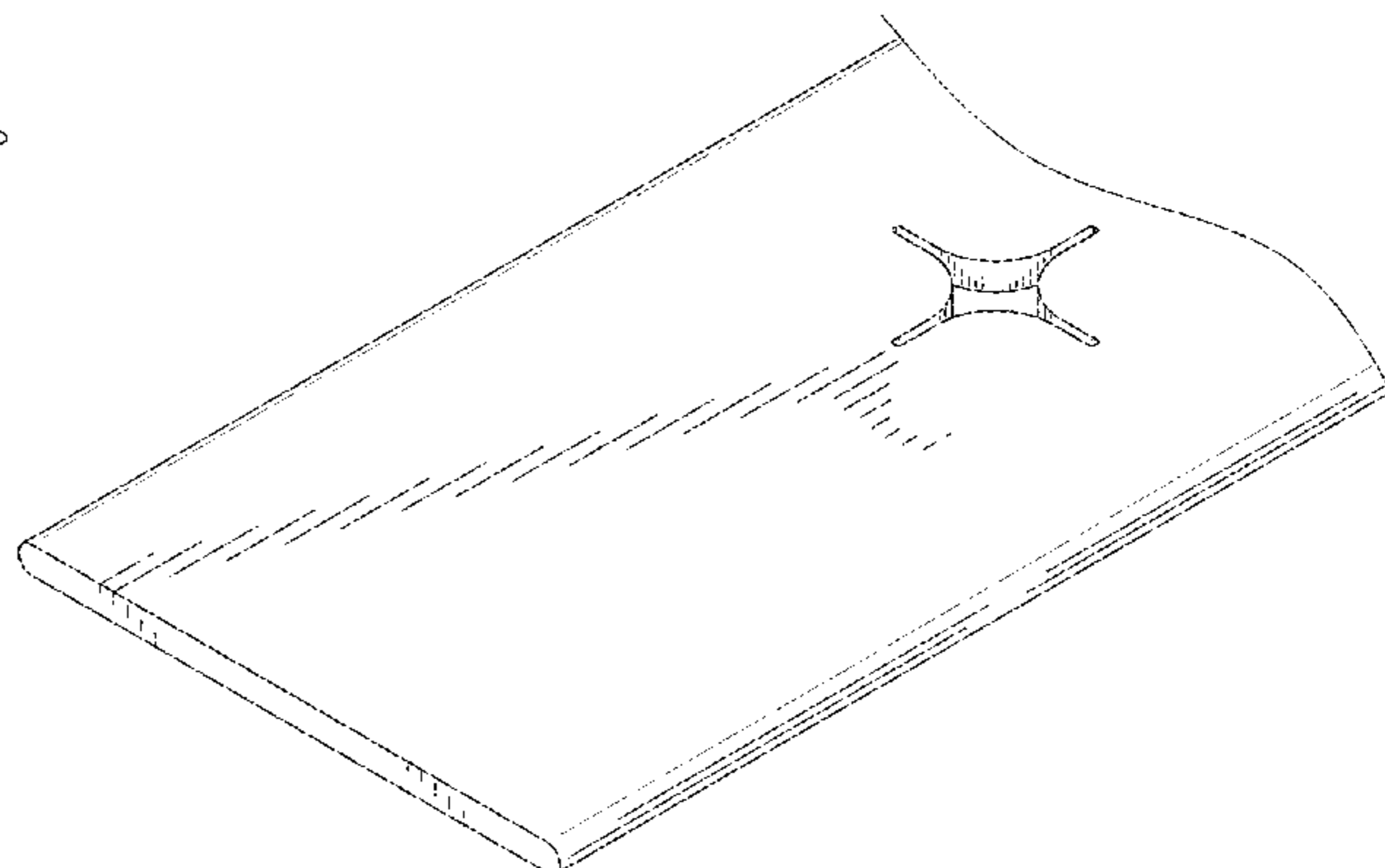
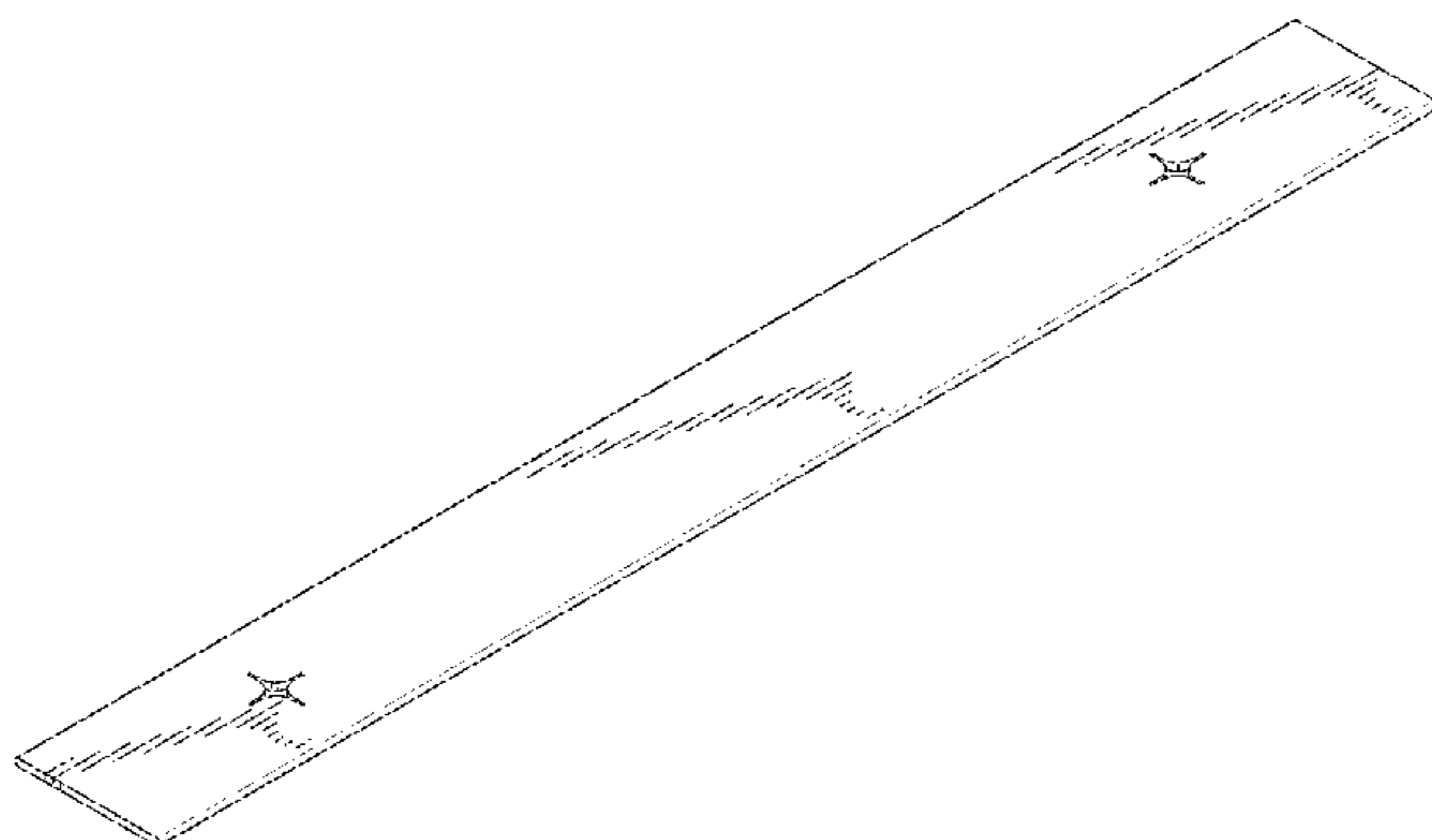
FIG. 2 is a front view thereof, the rear side being an identical image;

FIG. 3 is a left side elevational view thereof, the right side being an identical image;

FIG. 4 is a top plan view thereof, the bottom side being an identical image; and,

FIGS. 5 and 6 are enlarged, broken away perspective views of the venetian blind slat in different viewing angles, respectively.

1 Claim, 4 Drawing Sheets



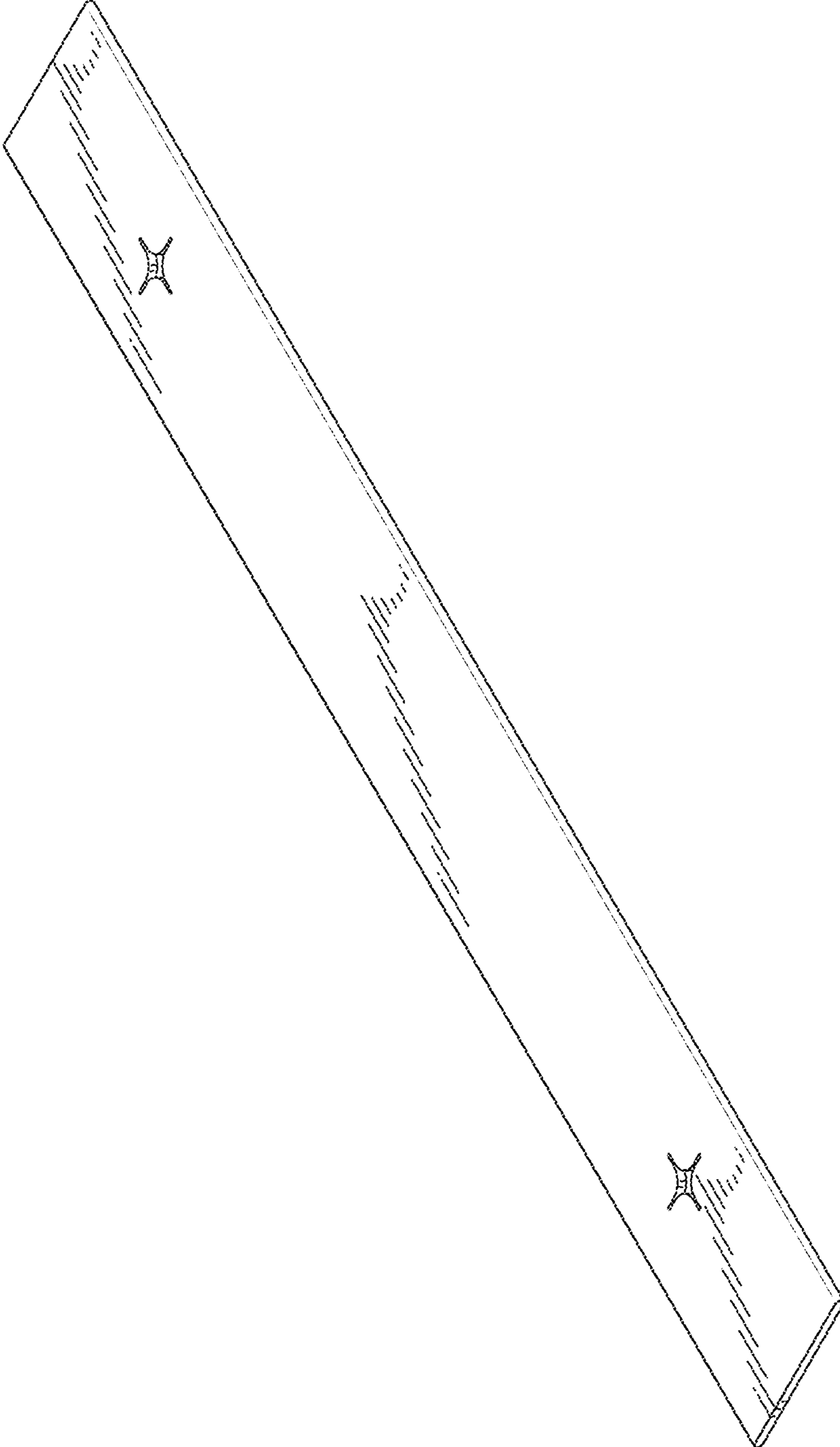


FIG. 1



FIG. 2

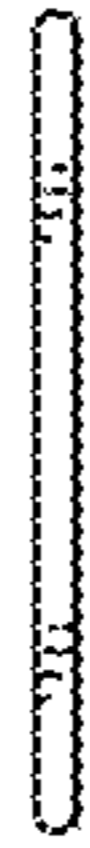


FIG. 3

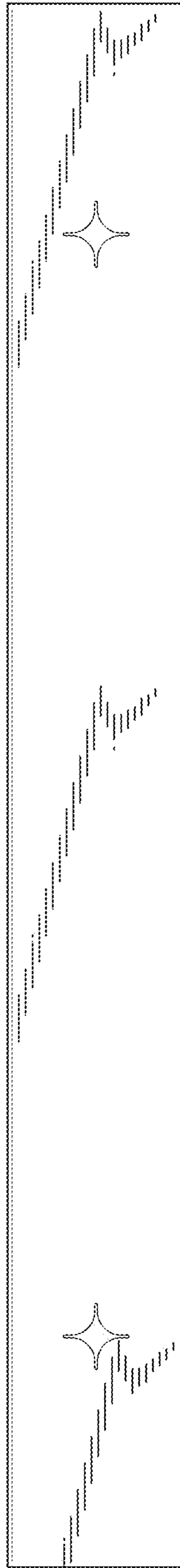


FIG. 4

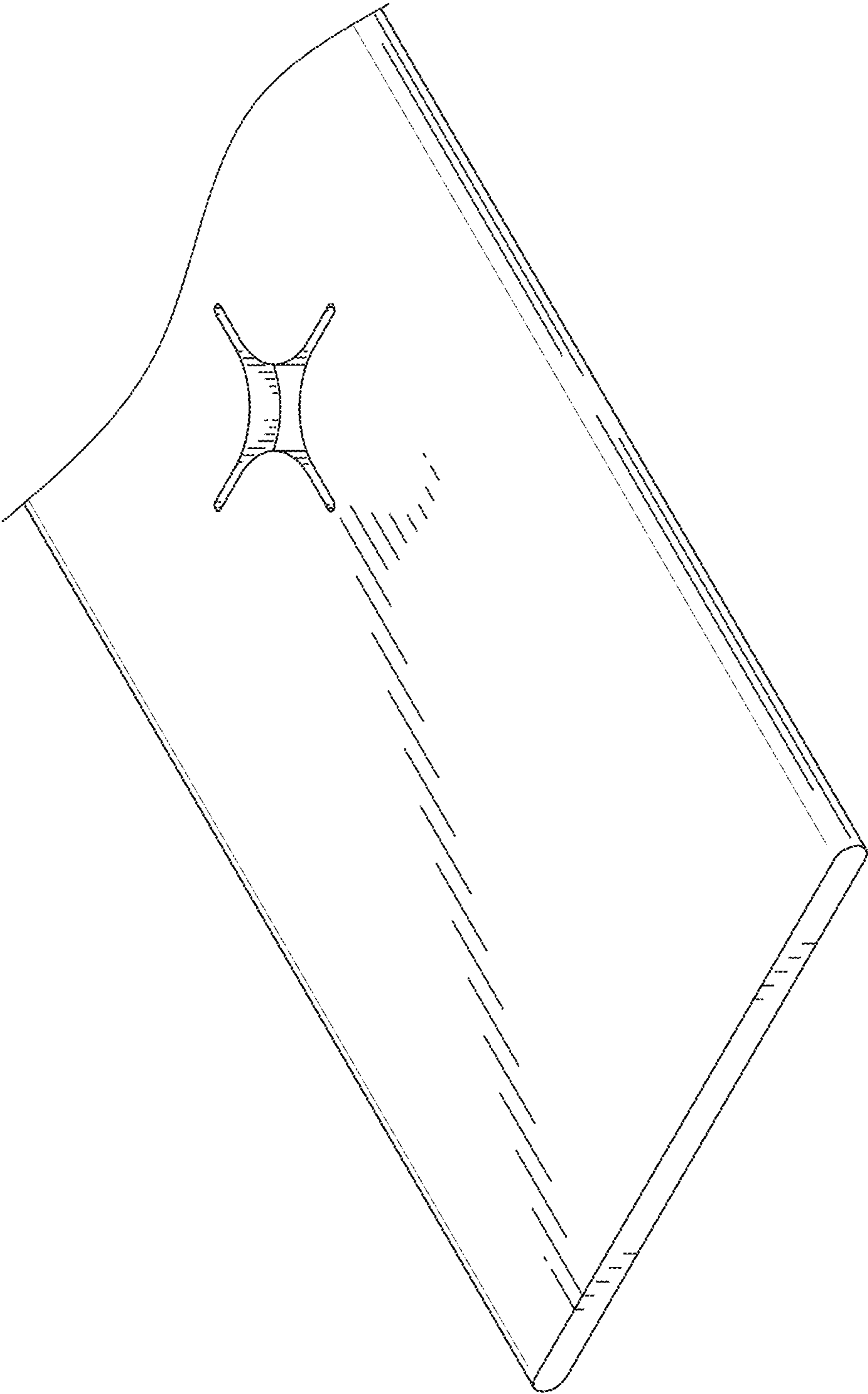


FIG. 5

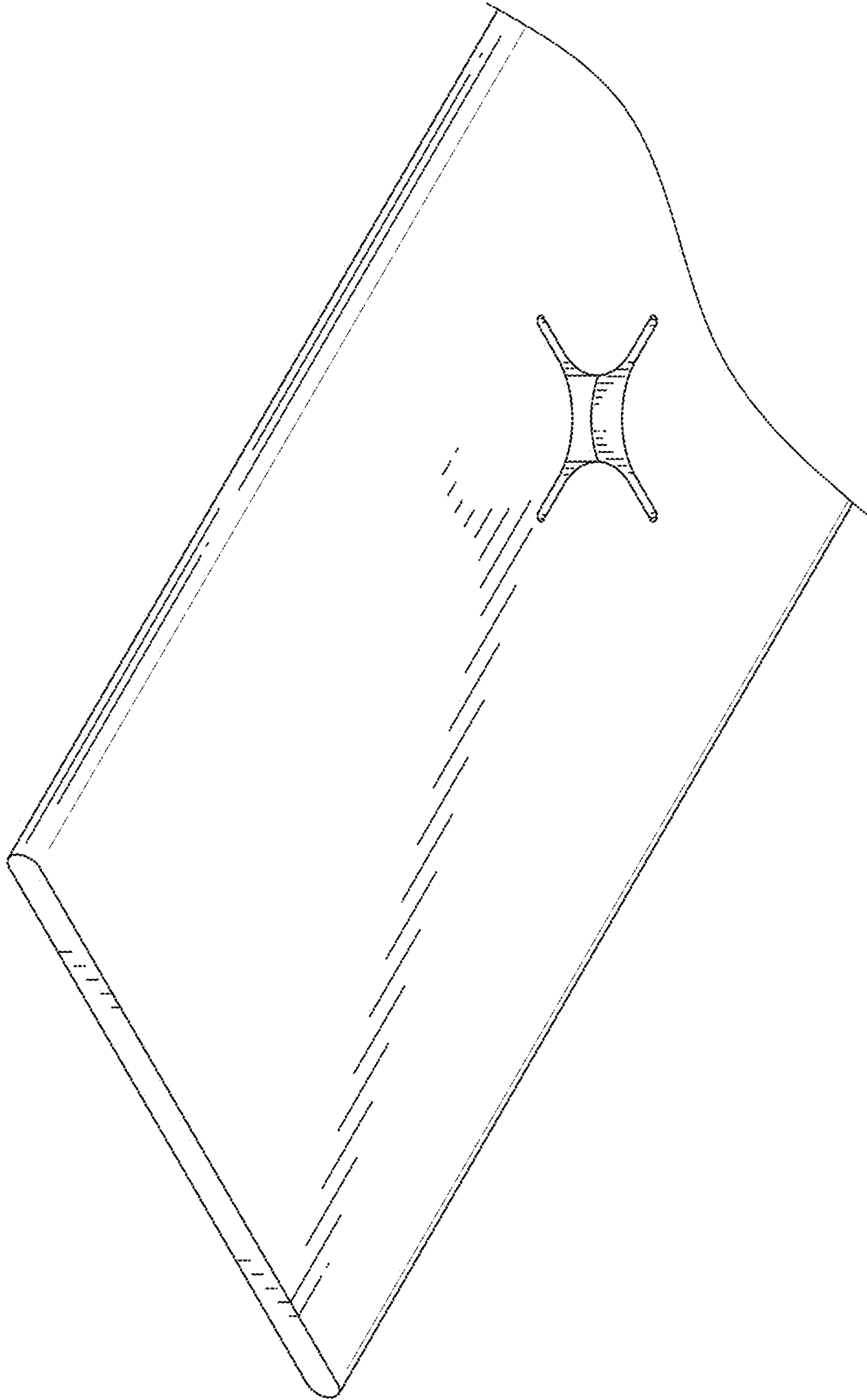


FIG. 6