



US00D988750S

(12) **United States Design Patent** (10) **Patent No.:** **US D988,750 S**
Baskin (45) **Date of Patent:** **** Jun. 13, 2023**

(54) **WALL STORAGE DEVICE**

(71) Applicant: **FourT LLC**, Berea, KY (US)

(72) Inventor: **Thameka Baskin**, Louisville, KY (US)

(73) Assignee: **FOURT LLC**, Berea, KY (US)

(**) Term: **15 Years**

(21) Appl. No.: **29/784,176**

(22) Filed: **May 18, 2021**

(51) **LOC (14) Cl.** **08-08**

(52) **U.S. Cl.**
USPC **D6/572**

(58) **Field of Classification Search**
USPC D6/572, 672, 569, 567, 512, 553;
D11/131, 132, 133, 184
CPC A47F 5/08; A47G 29/10; A47G 29/08
See application file for complete search history.

(56) **References Cited**

U.S. PATENT DOCUMENTS

D149,251 S * 4/1948 Civita D11/131
D267,686 S * 1/1983 Dawson D11/131
D304,793 S * 11/1989 Burke D6/569
D310,454 S * 9/1990 Beasley D6/661.1
5,813,549 A * 9/1998 Sheehan A47F 5/0807
211/87.01
D602,295 S * 10/2009 Ferguson D6/572
D670,196 S * 11/2012 Dunn D11/184

FOREIGN PATENT DOCUMENTS

CN 307524761 * 9/2022
GB 6207120 * 5/2022
JP D1510518 * 11/2014

OTHER PUBLICATIONS

MyGift 3 Tier Triangular Matte Black Metal Bathroom Wall Shelf,
posted May 31, 2017 [online], [retrieved Feb. 8, 2023]. Retrieved

from internet, <https://www.amazon.com/MyGift-Triangular-Display-Mounted-Pyramid/dp/B071W69XMW> (Year: 2017).
Triangle Crystal Shelf, posted unknown [online], [retrieved Feb. 8, 2023]. Retrieved from internet, <https://www.etsy.com/listing/517823014/triangle-crystal-shelf-crystals-triangle?gpla=1&gao=1> (Year: 2023).
Triangular Storage Rack, posted unknown [online], [retrieved Feb. 8, 2023]. Retrieved from internet, <https://www.walmart.com/ip/Triangular-Storage-Rack-Wall-Mounted-Crystal-Display-Shelf-Home-Decoration-for-Home-Office/1800404243> (Year: 2023).
Triangle Shelf, posted Jun. 17, 2021 [online], [retrieved Feb. 8, 2023]. Retrieved from internet, <https://www.amazon.com/Triangle-Shelf-Crystals-Trinkets-Geometric/dp/B097FDPG1G> (Year: 2021).

* cited by examiner

Primary Examiner — Cynthia Ramirez
Assistant Examiner — Jeremy S. Swartz
(74) *Attorney, Agent, or Firm* — Wyatt, Tarrant & Combs, LLP; Max E. Bridges

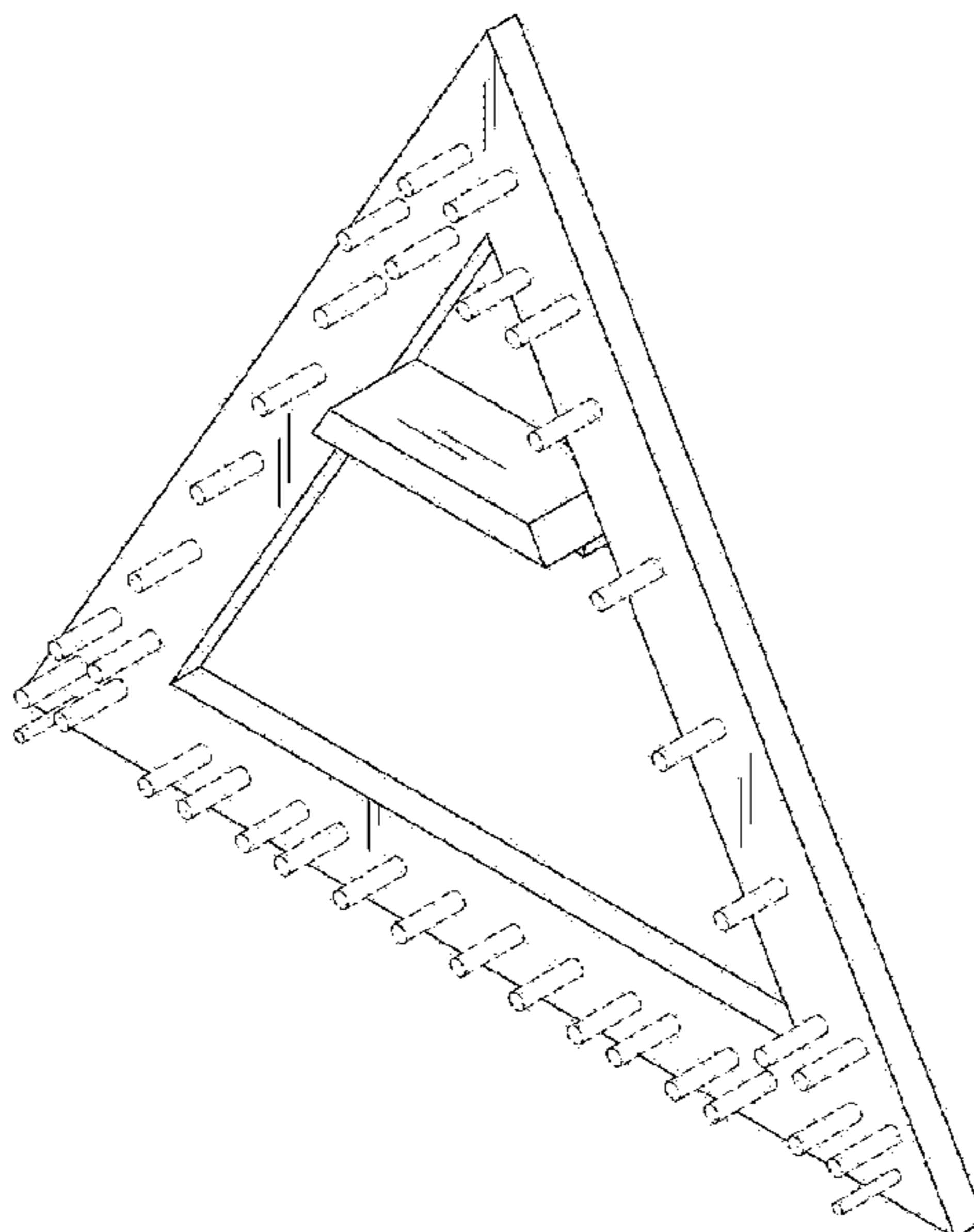
(57) **CLAIM**

The ornamental design for a wall storage device, as shown and described.

DESCRIPTION

FIG. 1 is a front, perspective view of the wall storage device; FIG. 2 is a rear, perspective view thereof; FIG. 3 is a front view thereof; FIG. 4 is a rear view thereof; FIG. 5 is a left-side view thereof; FIG. 6 is a right-side view thereof; FIG. 7 is a top plan view thereof; and, FIG. 8 is a bottom plan view thereof. The broken lines shown are included for the purpose of illustrating portions of the article which form no part of the claimed design.

1 Claim, 6 Drawing Sheets



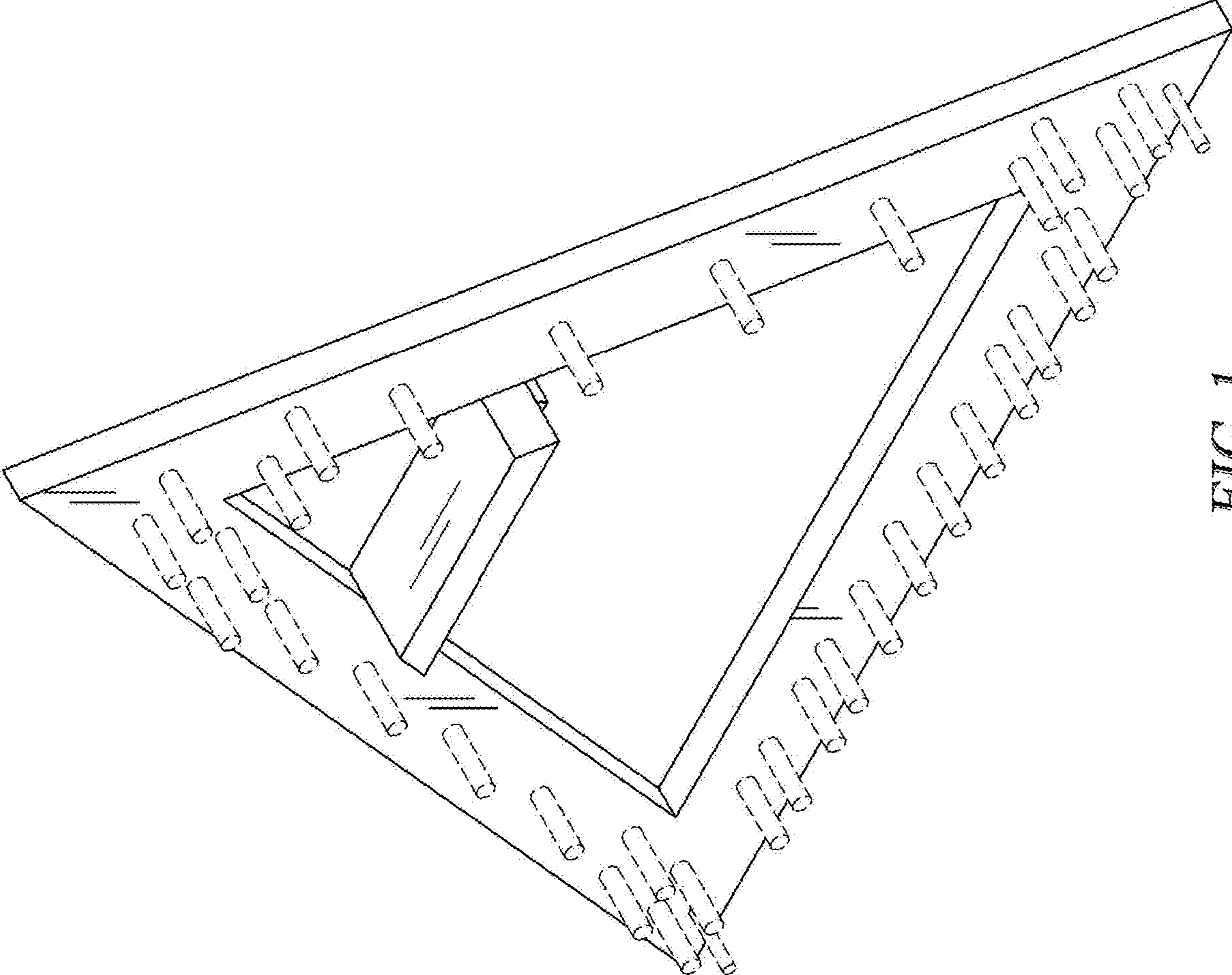


FIG. 1

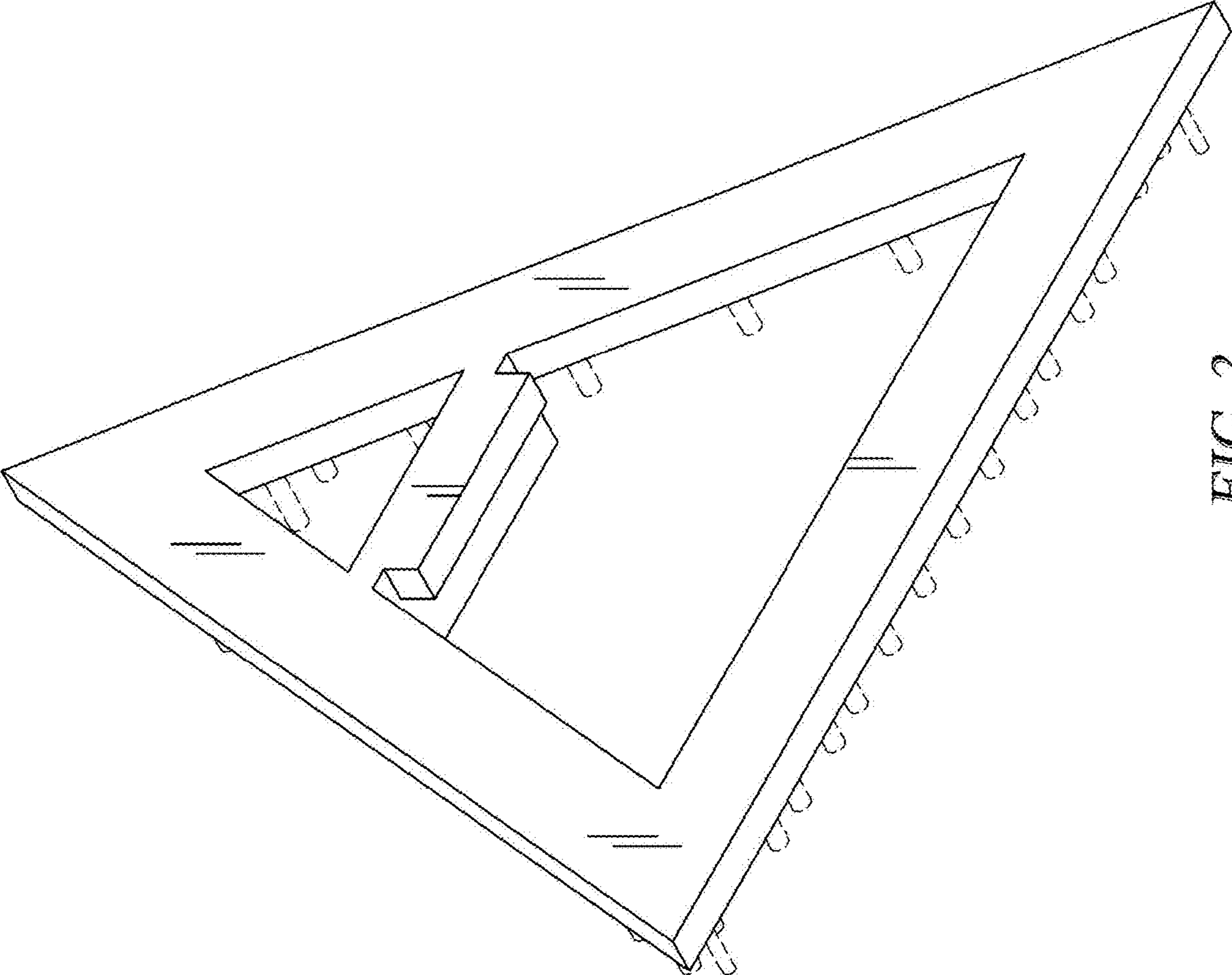


FIG. 2

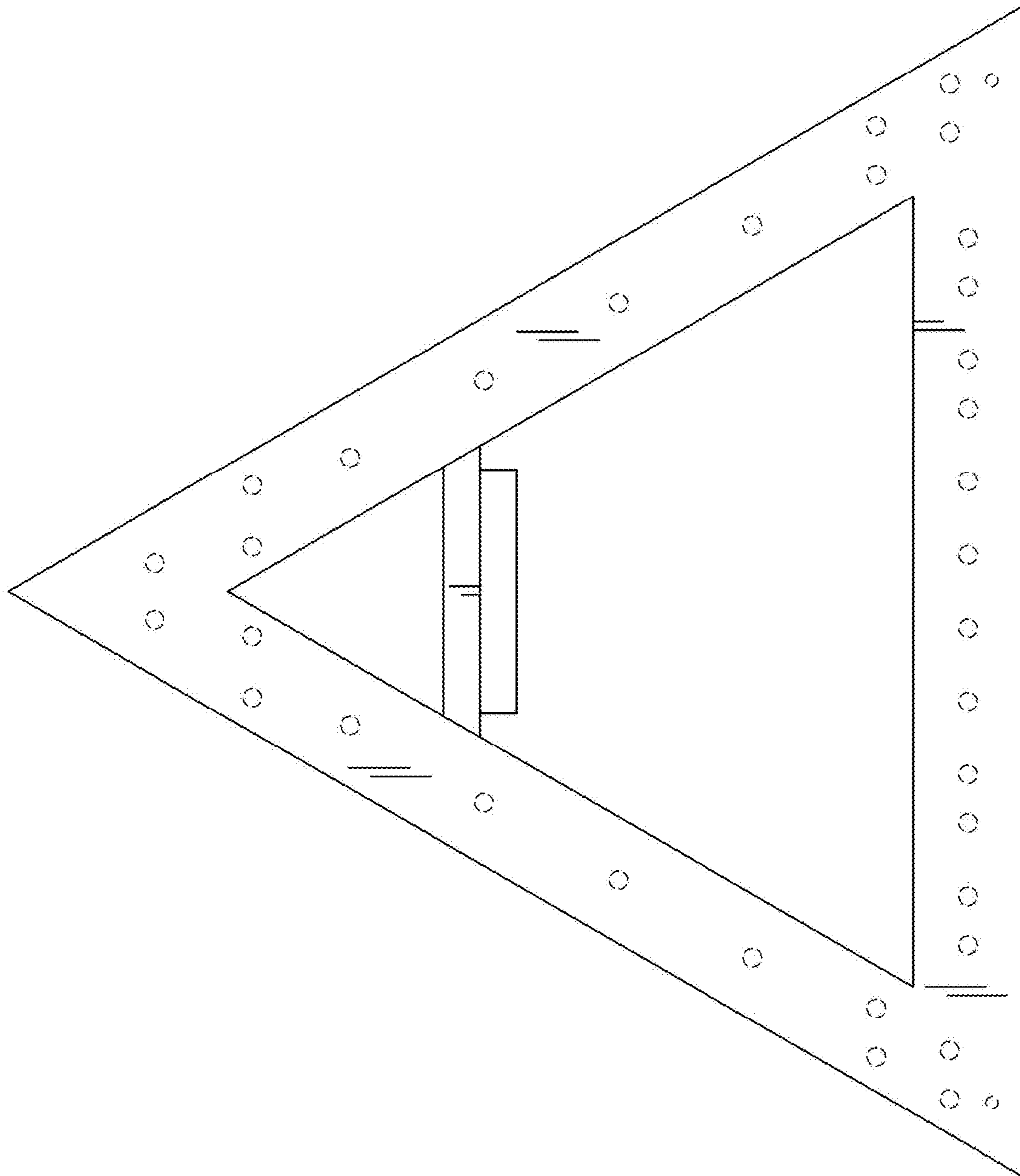


FIG. 3

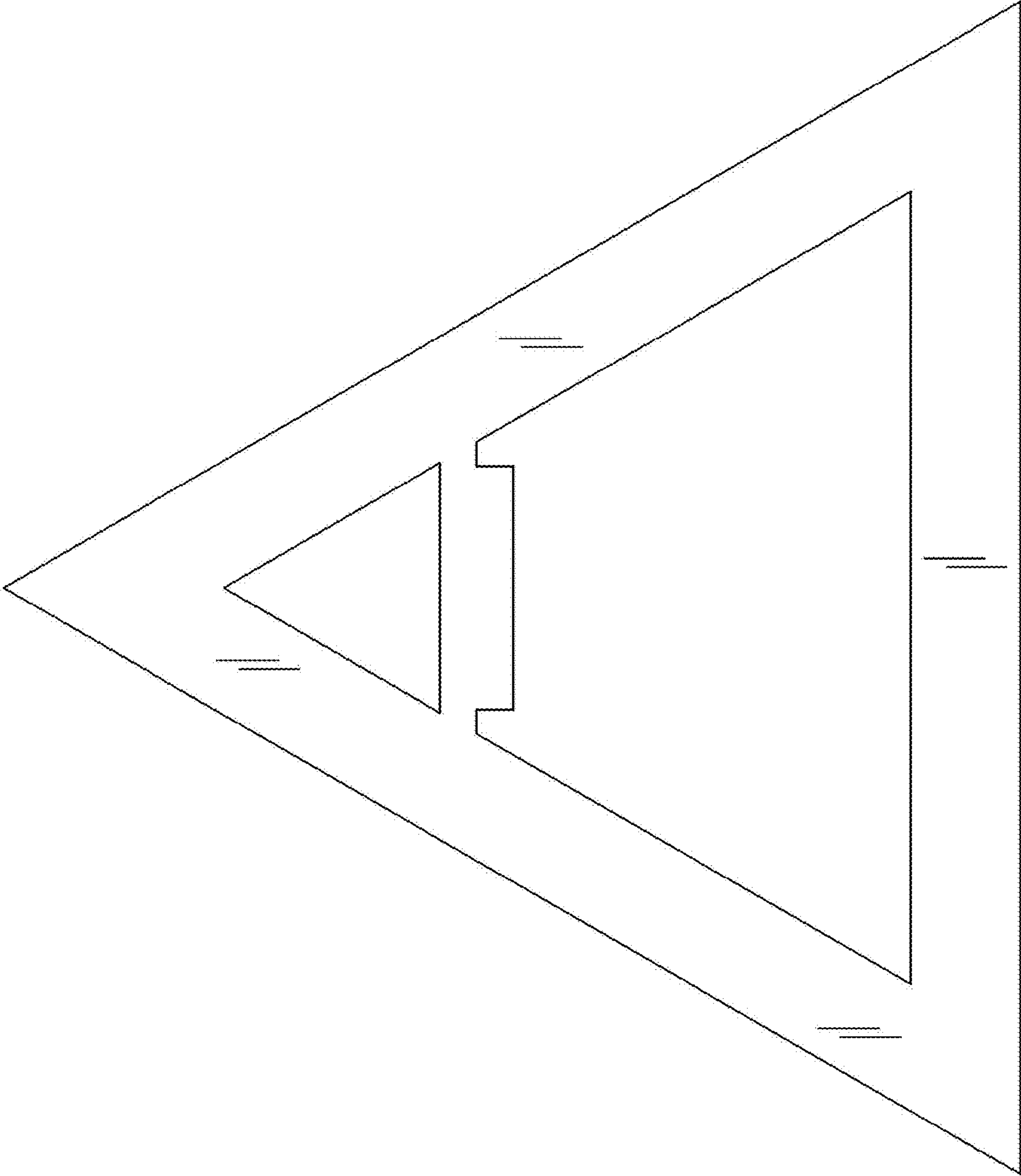


FIG. 4

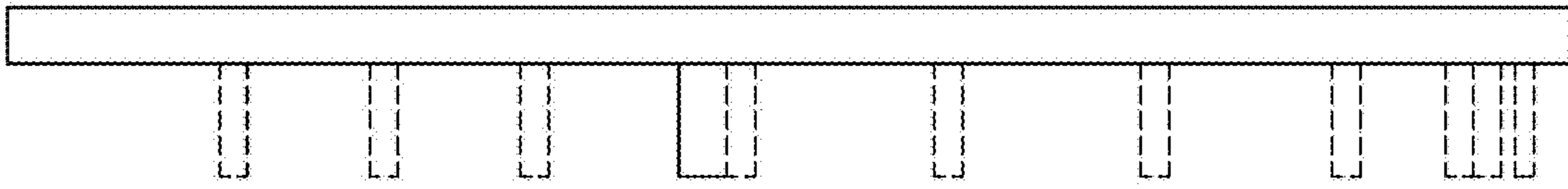


FIG. 6

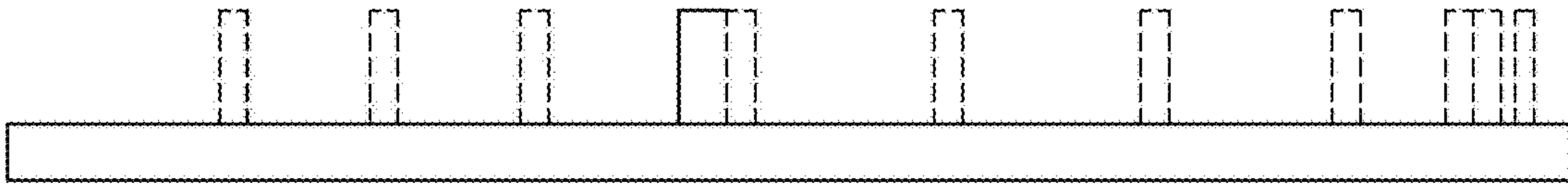


FIG. 5

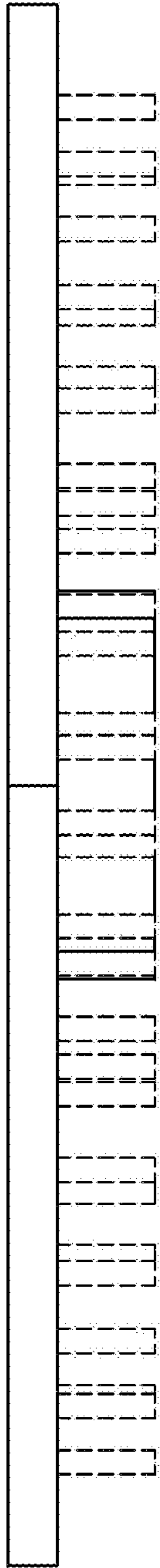


FIG. 7

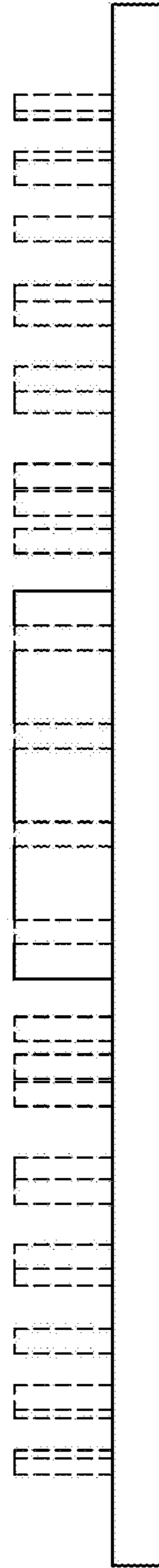


FIG. 8