



US00D988749S

(12) **United States Design Patent**
Yang

(10) **Patent No.:** **US D988,749 S**
(45) **Date of Patent:** **** Jun. 13, 2023**

(54) **KITCHEN RACK FOR SPATULAS**

(71) Applicant: **Shenzhen Aifaer Technology Co., Ltd.**, Shenzhen (CN)

(72) Inventor: **Chao Yang**, Liuzhou (CN)

(**) Term: **15 Years**

(21) Appl. No.: **29/885,180**

(22) Filed: **Feb. 21, 2023**

(30) **Foreign Application Priority Data**

Sep. 7, 2022 (CN) 202230589953.1

(51) **LOC (14) Cl.** **08-08**

(52) **U.S. Cl.**
USPC **D6/567; D7/637**

(58) **Field of Classification Search**
USPC D7/387-388, 704-705, 601, 637, 213;
D6/657, 659, 571-572
CPC A47G 21/14; B25H 3/04; A47B 81/00;
A47B 96/027; A47F 5/0093
See application file for complete search history.

(56) **References Cited**

U.S. PATENT DOCUMENTS

- 4,071,212 A * 1/1978 Burrows A47G 21/14
D7/637
- D279,730 S * 7/1985 Ritchey D6/513
- 4,899,894 A * 2/1990 Crump A47F 5/0846
211/DIG. 1
- D329,346 S * 9/1992 McKeone D6/549
- 5,224,915 A * 7/1993 Kilian B21D 28/12
83/563
- D364,769 S * 12/1995 Hickman D6/567
- 5,611,440 A * 3/1997 Møller A47F 5/0093
211/181.1
- D384,481 S * 9/1997 Sheckells D34/38
- 5,788,092 A * 8/1998 Teeney B25H 3/04
211/70.6
- D436,837 S * 1/2001 Beal D8/363

- D443,161 S * 6/2001 Mahlmann D6/567
- D474,933 S * 5/2003 Kaposi D6/569
- D529,792 S * 10/2006 Klein D8/373
- D675,884 S * 2/2013 Dalling D7/637
- D983,561 S * 4/2023 Mo D6/567
- 2009/0106982 A1 * 4/2009 Kushner A47G 21/14
30/142

(Continued)

FOREIGN PATENT DOCUMENTS

KR 301180680.0000 * 9/2022

OTHER PUBLICATIONS

Ebay update Feb. 25, 2023, Griddle Spatula Holders, site visited Apr. 18, 2023, https://www.ebay.com/itm/225447628280?chn=ps&mkcid=*

Primary Examiner — John R Yeh
(74) *Attorney, Agent, or Firm* — Justin Lampel

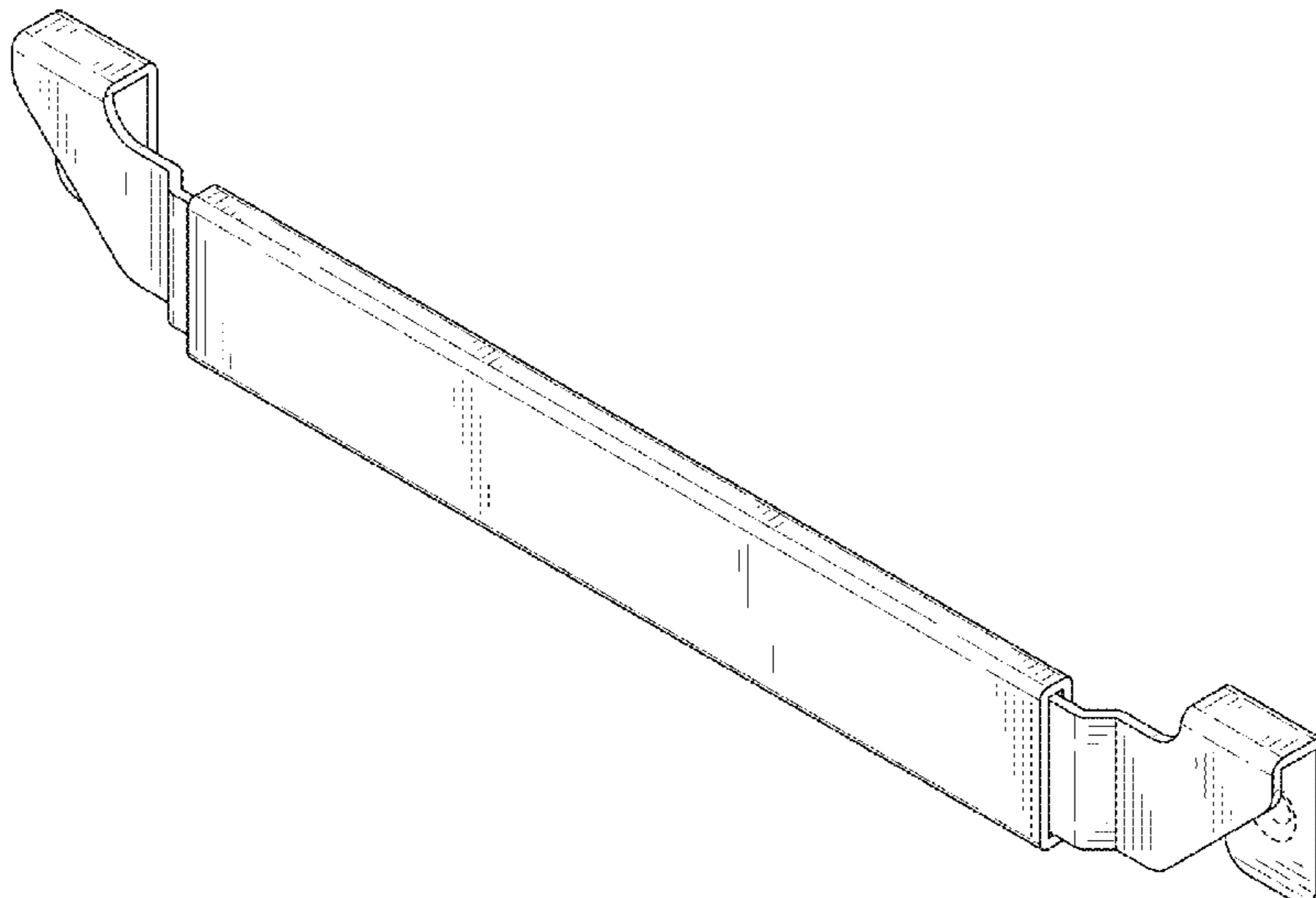
(57) **CLAIM**

The ornamental design for a kitchen rack for spatulas, as shown and described.

DESCRIPTION

FIG. 1 is a perspective view of a kitchen rack for spatulas showing the claimed design;
FIG. 2 is another perspective view of a kitchen rack for spatulas showing the claimed design;
FIG. 3 is a front elevational view thereof;
FIG. 4 is a rear elevational view thereof;
FIG. 5 is a left side view thereof;
FIG. 6 is a right side view thereof;
FIG. 7 is a top plan view thereof;
FIG. 8 is a bottom plan view thereof;
FIG. 9 is the third perspective view thereof; and,
FIG. 10 is the fourth perspective view thereof.
The broken lines illustrate portions of the kitchen rack for spatulas that form no part of the claimed design.

1 Claim, 10 Drawing Sheets



(56)

References Cited

U.S. PATENT DOCUMENTS

2010/0133213 A1* 6/2010 Kao A47F 7/0028
211/70.6
2019/0066637 A1* 2/2019 Ugactz F16M 13/027
2019/0374068 A1* 12/2019 Jones A47J 47/16
2020/0369192 A1* 11/2020 Dworkin A47B 81/00
2021/0094639 A1* 4/2021 Greenblatt A47B 81/00

* cited by examiner

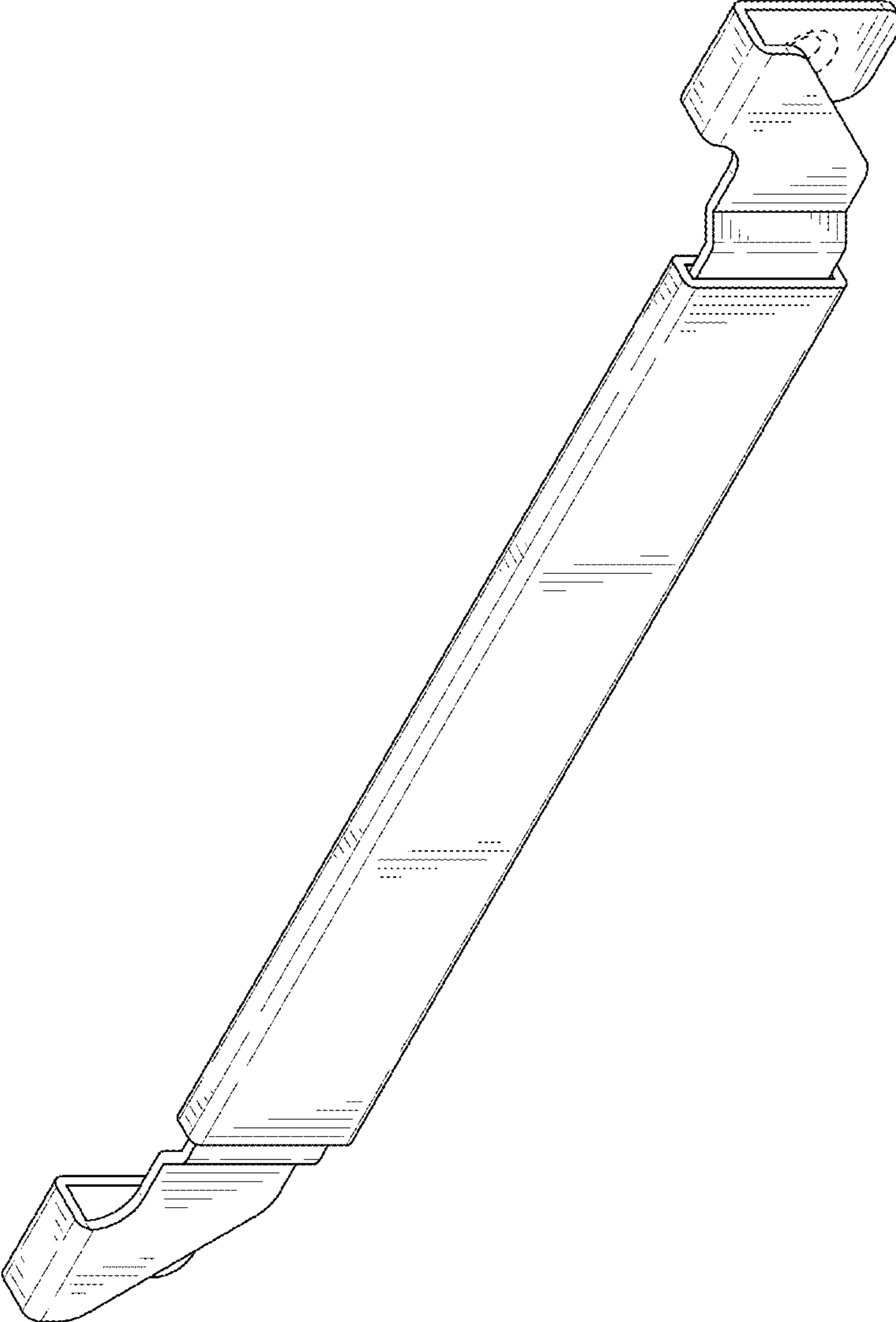


FIG. 1

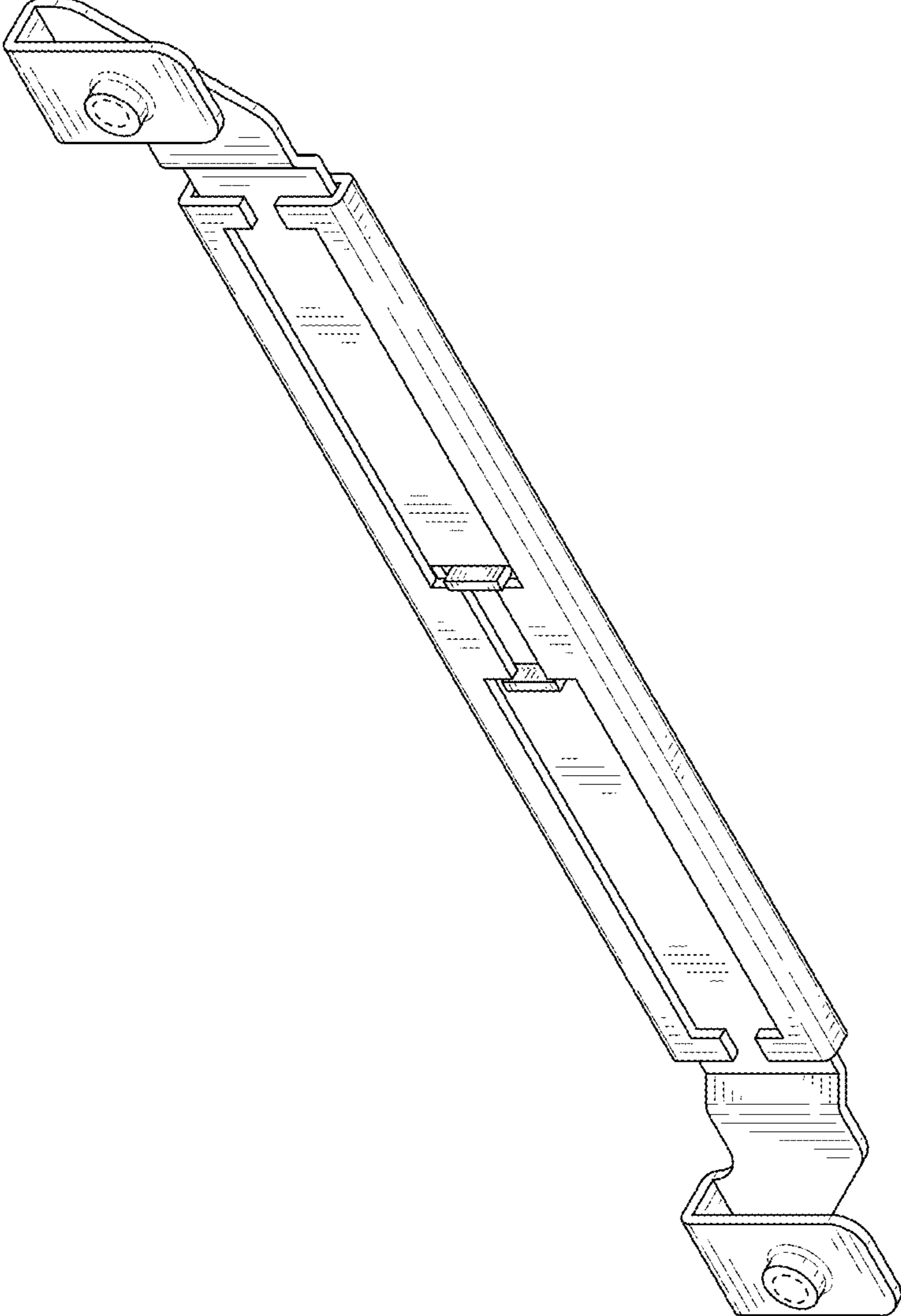


FIG. 2

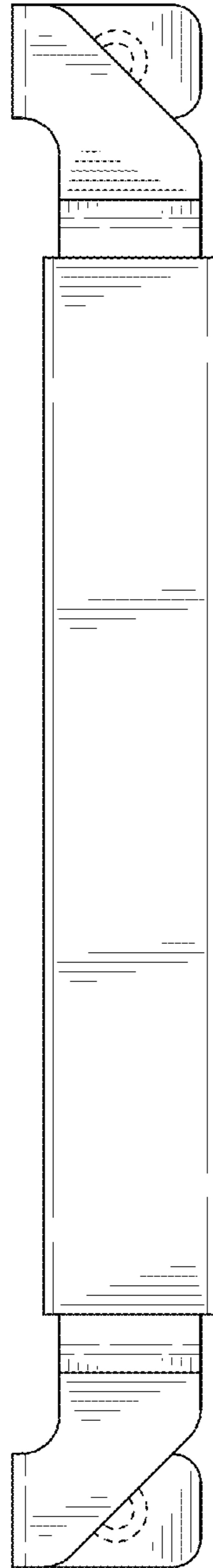


FIG. 3

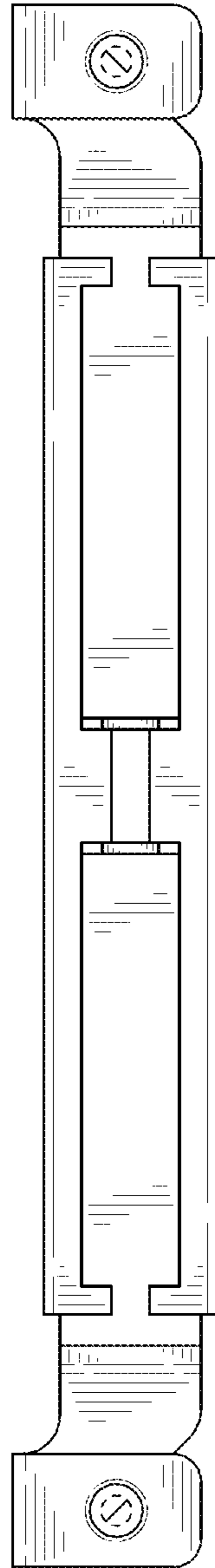


FIG. 4

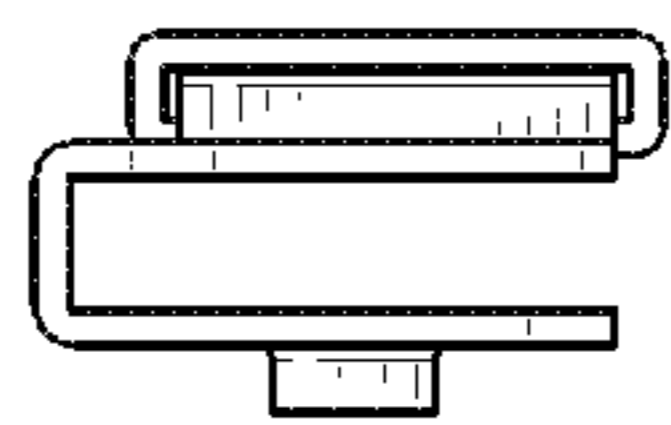


FIG. 5

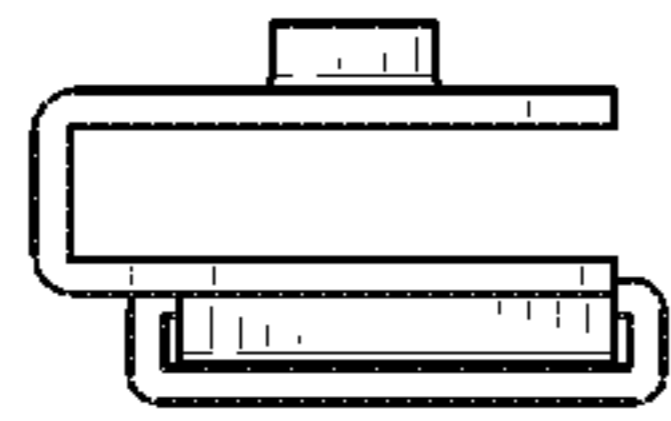


FIG. 6

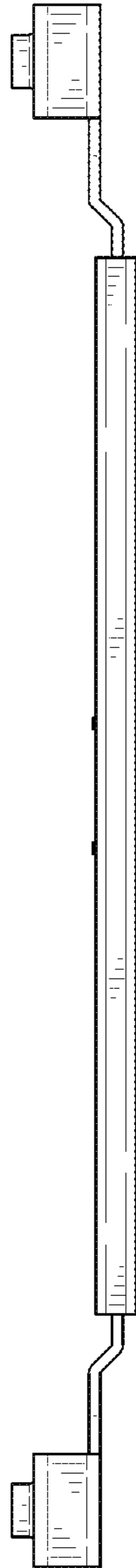


FIG. 7

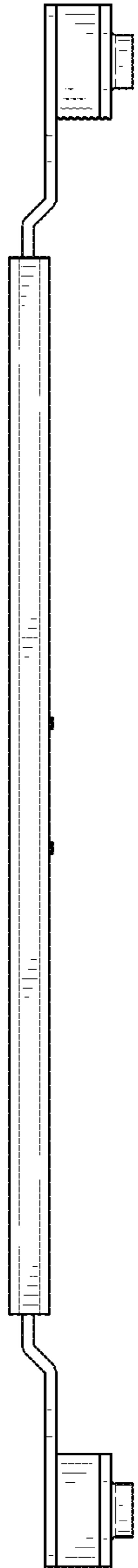


FIG. 8

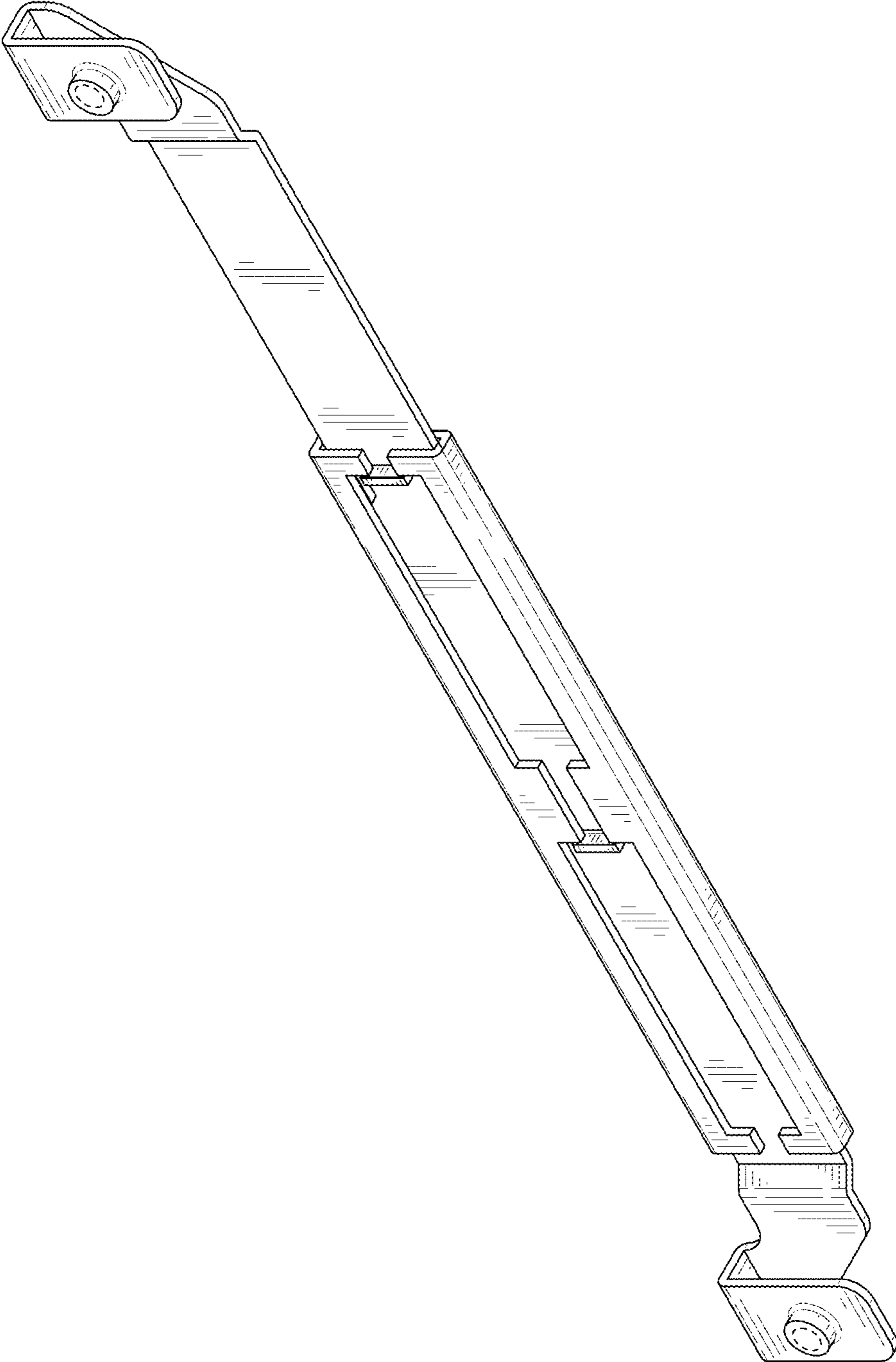


FIG. 9

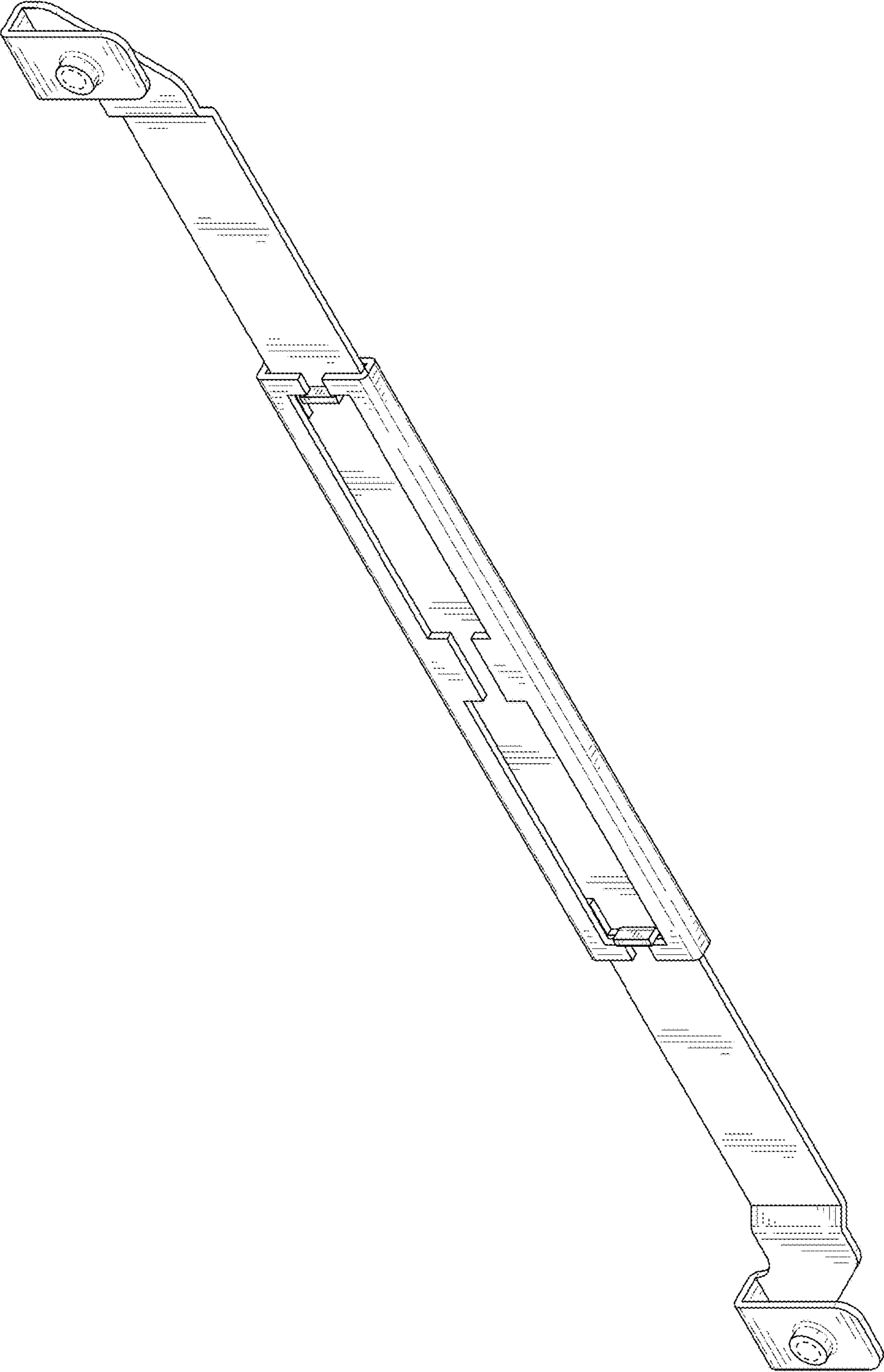


FIG. 10