



US00D988747S

(12) **United States Design Patent**
Oesterle et al.

(10) **Patent No.:** **US D988,747 S**
(45) **Date of Patent:** **** Jun. 13, 2023**

- (54) **TOWEL HOLDER**
- (71) Applicant: **HANSGROHE SE**, Schiltach (DE)
- (72) Inventors: **Matthias Oesterle**, Winterbach (DE);
Marco Flaig, Stuttgart (DE)
- (73) Assignee: **Hansgrohe SE**, Schiltach (DE)
- (**) Term: **15 Years**
- (21) Appl. No.: **29/778,662**
- (22) Filed: **Apr. 14, 2021**
- (51) **LOC (14) Cl.** **23-08**
- (52) **U.S. Cl.**
USPC **D6/546**
- (58) **Field of Classification Search**
USPC D6/546–550, 512–525, 553; D8/300,
D8/315–321, 354, 356, 363, 373, 380,
D8/499; 108/28–29; 211/13.1, 16, 85.5,
211/86.01, 87.01, 88.04, 100, 105.1,
211/105.2, 106, 113, 123, 181.1,
211/182–183; 248/49, 175, 176.1, 200,
248/201, 205.1, 251, 302, 309.1, 315;
242/570, 590, 595–598; D7/642;
D11/13, 86, 93
CPC A47K 10/3836; A47K 10/38
See application file for complete search history.

D946,783 S *	3/2022	Allard	D25/41.1
D949,661 S *	4/2022	Para	D8/319
D951,675 S *	5/2022	Feng	D6/548
D953,771 S *	6/2022	Allard	D6/523

FOREIGN PATENT DOCUMENTS

CA	168525	*	12/2016
CN	3631938	*	4/2007
CN	304695773	*	6/2018
DE	S40106997-0005		3/2002
EM	000294806-0002		5/2005
EM	000300819-0021		5/2005

(Continued)

OTHER PUBLICATIONS

Gedy A147-13 Azzore Oval Shaped Chrome Towel Rail, posted unknown [online], [retrieved Dec. 29, 2022]. Retrieved from internet, <https://www.kbauthority.com/gedy-a147-13-azzorre-18-inch-oval-shaped-chrome-towel-rail-or-accessory-holder.html> (Year: 2022).*

(Continued)

Primary Examiner — Cynthia Ramirez
Assistant Examiner — Jeremy S. Swartz
(74) *Attorney, Agent, or Firm* — Lora J. Graentzdoerffer

(57) **CLAIM**

The ornamental design for a towel holder, as shown and described.

DESCRIPTION

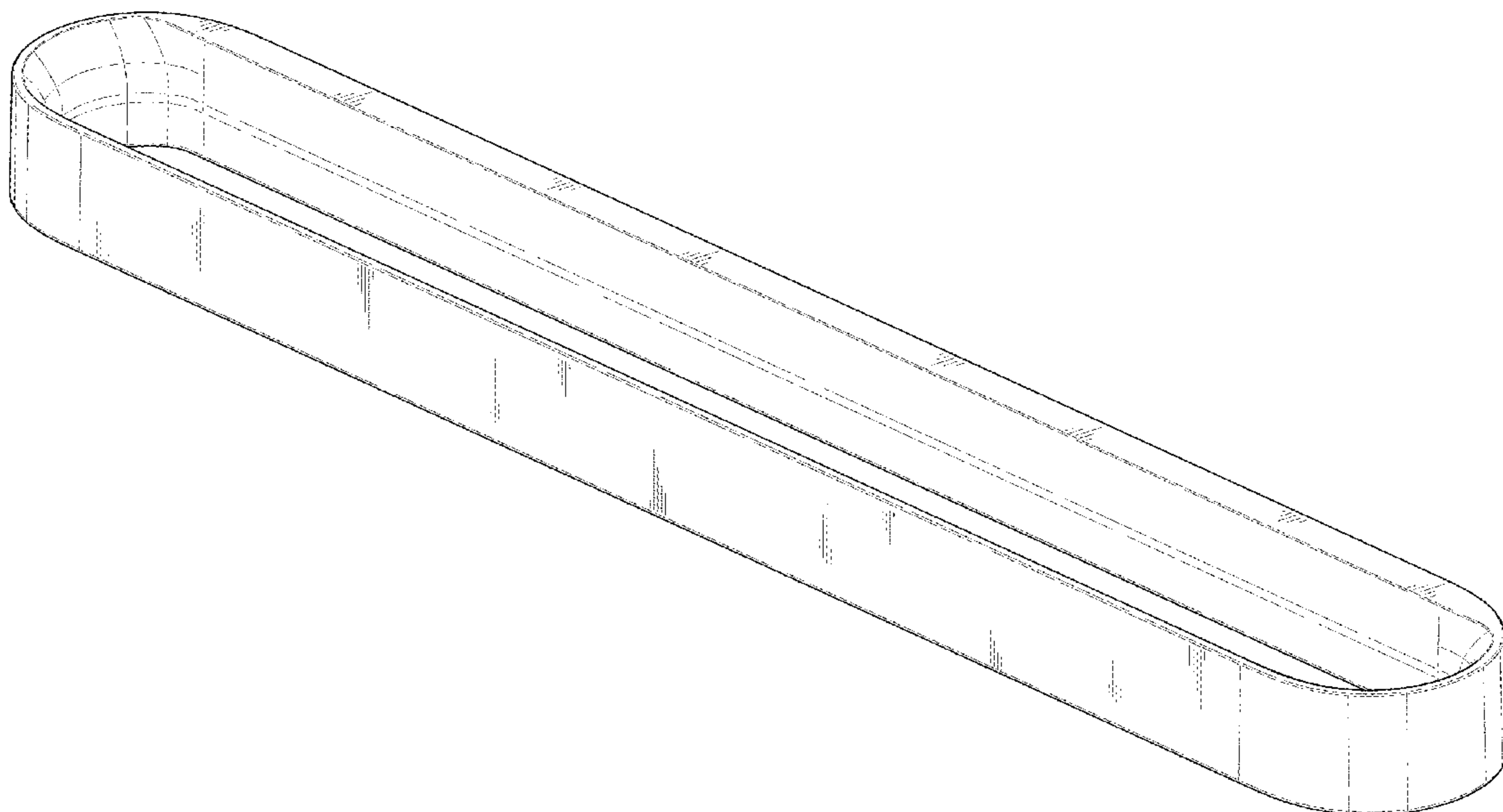
FIG. 1 is a perspective view of a towel holder showing our design;
FIG. 2 is a front elevational view;
FIG. 3 is a rear elevational view;
FIG. 4 is a side elevational view;
FIG. 5 is a side elevational view;
FIG. 6 is a top plan view; and,
FIG. 7 is a bottom plan view.

1 Claim, 7 Drawing Sheets

(56) **References Cited**

U.S. PATENT DOCUMENTS

D764,833 S *	8/2016	Citterio	D6/549
D781,069 S *	3/2017	Marshall	D6/553
D785,367 S *	5/2017	Eads	D6/549
D812,929 S *	3/2018	Garland	D6/549
D891,146 S *	7/2020	Seum	D6/549
D906,724 S *	1/2021	Allard	D6/549
D923,964 S *	7/2021	Seum	D6/549
D937,005 S *	11/2021	Lai	D6/574



(56)

References Cited

FOREIGN PATENT DOCUMENTS

EM	000578877-0007	9/2006
EM	001114599-0012	5/2009
EM	001391742-0006	9/2014
EM	002637082-0020	2/2015
EM	005844156-0013	5/2019
EM	005844156-0014	5/2019
GB	9005844156-0013	12/2018
GB	9005844156-0014	12/2018
HK	0600430-0017	* 4/2006
WO	WOD064897-004	* 1/2004
WO	D102902-008	10/2018

OTHER PUBLICATIONS

Axor Rail Bath Towel Holder 600mm, posted unknown [online]. [retrieved Dec. 29, 2022]. Retrieved from internet, <https://www.axor-design.com/int/articledetail-axor-universal-softsquare-rail-bath-towel-holder-600-mm-42832000#techdata> (Year: 2022).*

Axor Rail Bath Towel Holder 800mm, posted unknown [online], [retrieved Dec. 29, 2022]. Retrieved from internet, <https://www.axor-design.com/int/articledetail-axor-universal-softsquare-rail-bath-towel-holder-800-mm-42833000> (Year: 2022).*

Cielo Oval Towel Rail, posted unknown [online], [retrieved Dec. 29, 2022]. Retrieved from internet, <https://www.tattahome.com/en/bathroom-accessories/10677-cielo-oval-towel-rail.html> (Year: 2022).*

Grohe Selection Wall Mounted Towel Ring, posted Jul. 1, 2020 [online], [retrieved Dec. 29, 2022]. Retrieved from internet, <https://www.build.com/grohe-41-035/s1765067?uid=4168003&searchId=lgd2EnEkxL> (Year: 2020).*

Grohe Defined Wall Mounted Towel Ring, posted unknown [online], [retrieved Dec. 29, 2022]. Retrieved from internet, <https://www.build.com/grohe-40-972/s1604909?uid=3829721> (Year: 2022).*

Gerzwy Bathroom Hardware Hand Towel Holder, posted May 5, 2020 [online], [retrieved Dec. 29, 2022]. Retrieved from internet, <https://www.amazon.com/dp/B0882NVKYB?th=1> (Year: 2020).*

Towel Rail Kiara, posted unknown [online], [retrieved Dec. 29, 2022]. Retrieved from internet, <https://bainsneo.com/p/porte-serviettes-en-solid-surface-kiara-44cm> (Year: 2022).*

* cited by examiner

FIG. 1

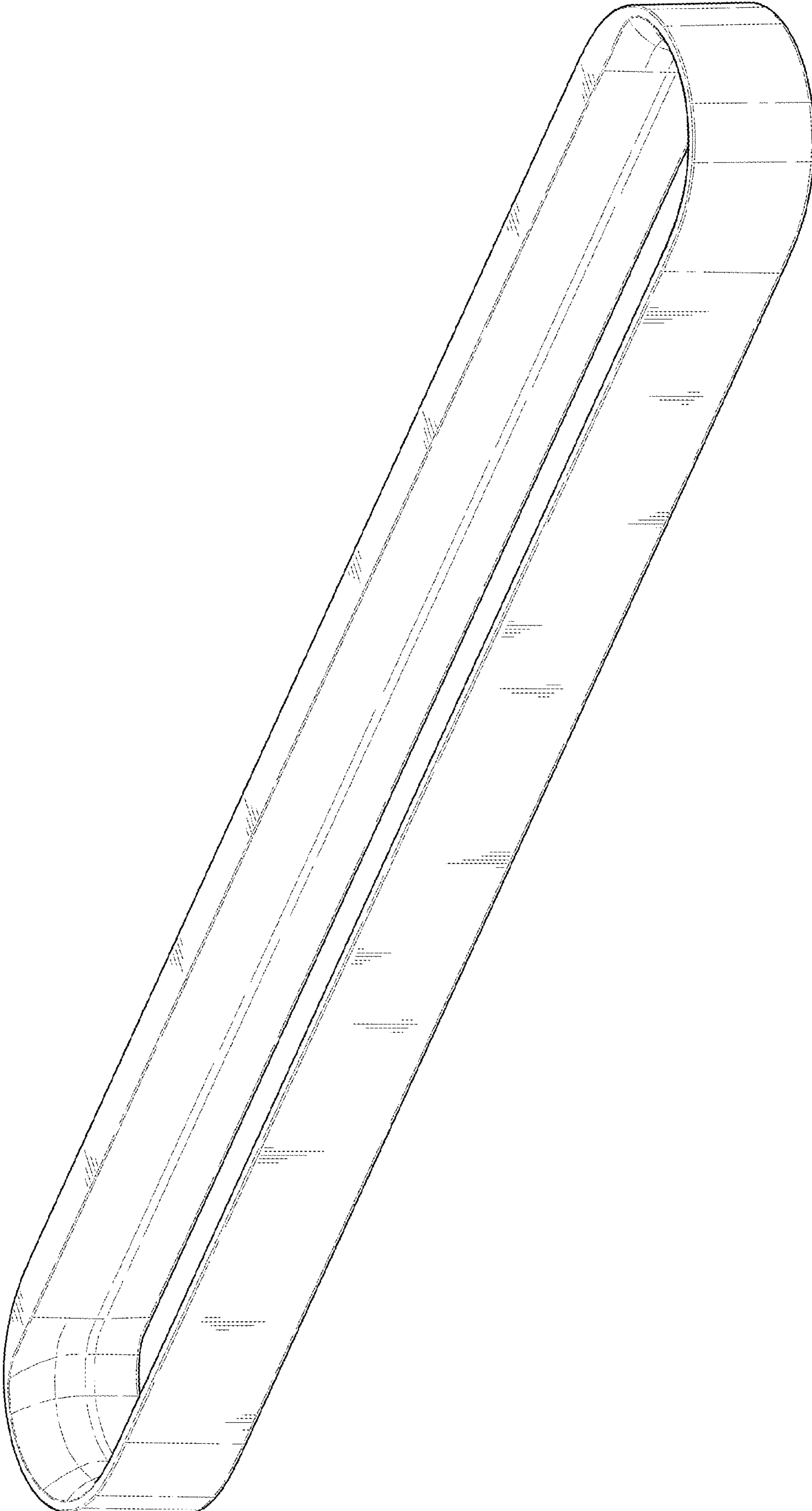


FIG. 2

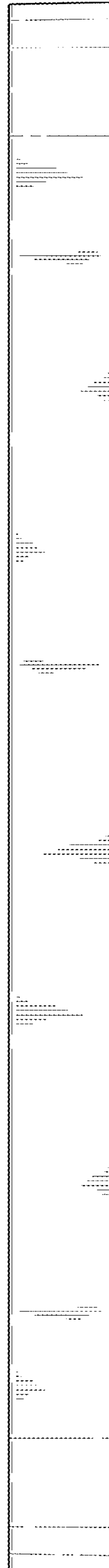


FIG. 3



FIG. 4

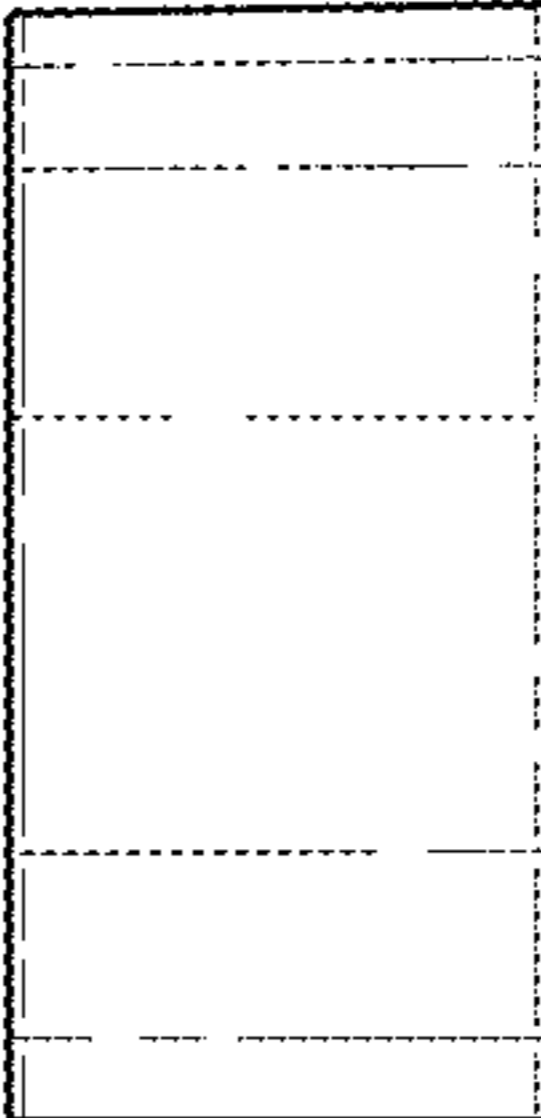


FIG. 5

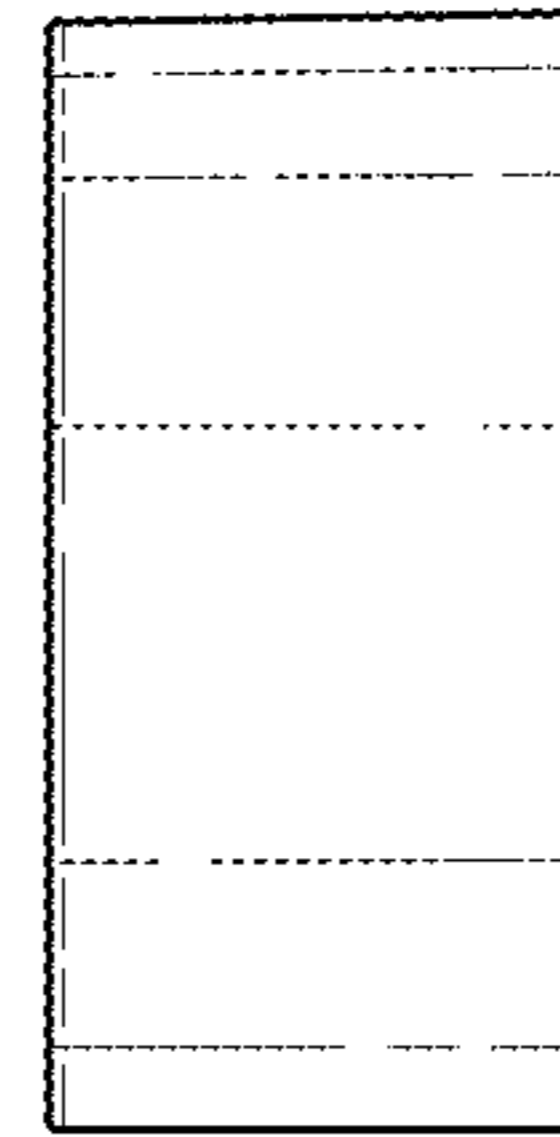


FIG. 6

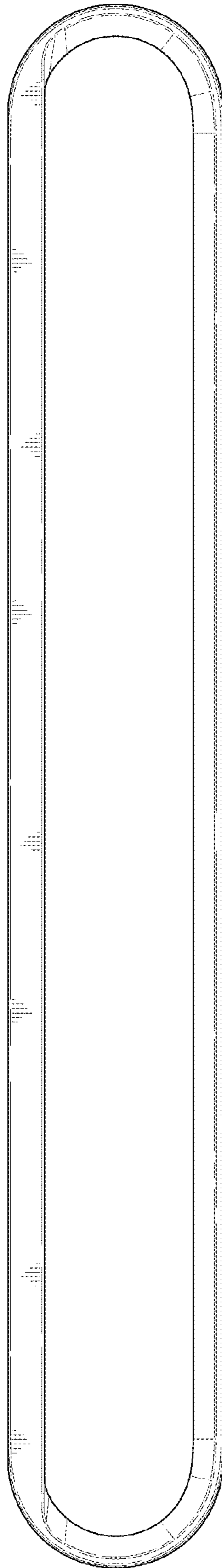


FIG. 7

