



US00D988746S

(12) **United States Design Patent** (10) **Patent No.:** **US D988,746 S**
Yip (45) **Date of Patent:** **** Jun. 13, 2023**

(54) **SOAP BAR HOLDER**

- (71) Applicant: **Justin Brandon Yip**, North Grafton, MA (US)
- (72) Inventor: **Justin Brandon Yip**, North Grafton, MA (US)
- (**) Term: **15 Years**
- (21) Appl. No.: **29/783,862**
- (22) Filed: **May 16, 2021**
- (51) **LOC (14) Cl.** **23-08**
- (52) **U.S. Cl.**
USPC **D6/536**
- (58) **Field of Classification Search**
USPC D6/356, 536
CPC A47K 5/02-05; A47K 5/08
See application file for complete search history.

(56) **References Cited**

U.S. PATENT DOCUMENTS

- 2,704,907 A * 3/1955 Durkee A47K 5/02
206/77.1
- 2,705,385 A * 4/1955 Markward A47K 5/02
248/214
- 5,624,071 A * 4/1997 Sosan E05B 67/003
232/29
- 7,287,668 B1 * 10/2007 Renaud A47K 5/08
221/283
- D612,648 S * 3/2010 Guindi D6/536
- 9,615,699 B2 * 4/2017 Akinpade A47K 5/08
- 2016/0213202 A1 * 7/2016 Akinpade A47K 5/08
- 2021/0247022 A1 * 8/2021 Cockburn F16M 13/022

FOREIGN PATENT DOCUMENTS

- CN 304280919 * 9/2017
- WO WOD077719 * 3/2012
- WO WOD096253 * 6/2017

OTHER PUBLICATIONS

- 2 pcs Sponge Soap Holders, posted Jun. 26, 2018 [online], [retrieved Oct. 28, 2022]. Retrieved from internet, <https://www.amazon.com/Holders-ANIN-Adjustable-Organizer-Bathroom/dp/B07F1V2842> (Year: 2018).*
- Duo Over the Cabinet Towel Bar and Small Basket, posted unknown [online], [retrieved Oct. 28, 2022]. Retrieved from internet, <https://www.homedepot.com/p/Spectrum-Duo-Over-the-Cabinet-Towel-Bar-and-Small-Basket-in-Chrome-81170/302698882> (Year: 2022).*
- Hanging Soap Dish, posted unknown [online], [retrieved Oct. 28, 2022]. Retrieved from internet, <http://www.urbanarchaeology.com/accessories/accessories/HangingSoapDish.html> (Year: 2022).*

* cited by examiner

Primary Examiner — Kevin K Rudzinski
Assistant Examiner — Jeremy S. Swartz

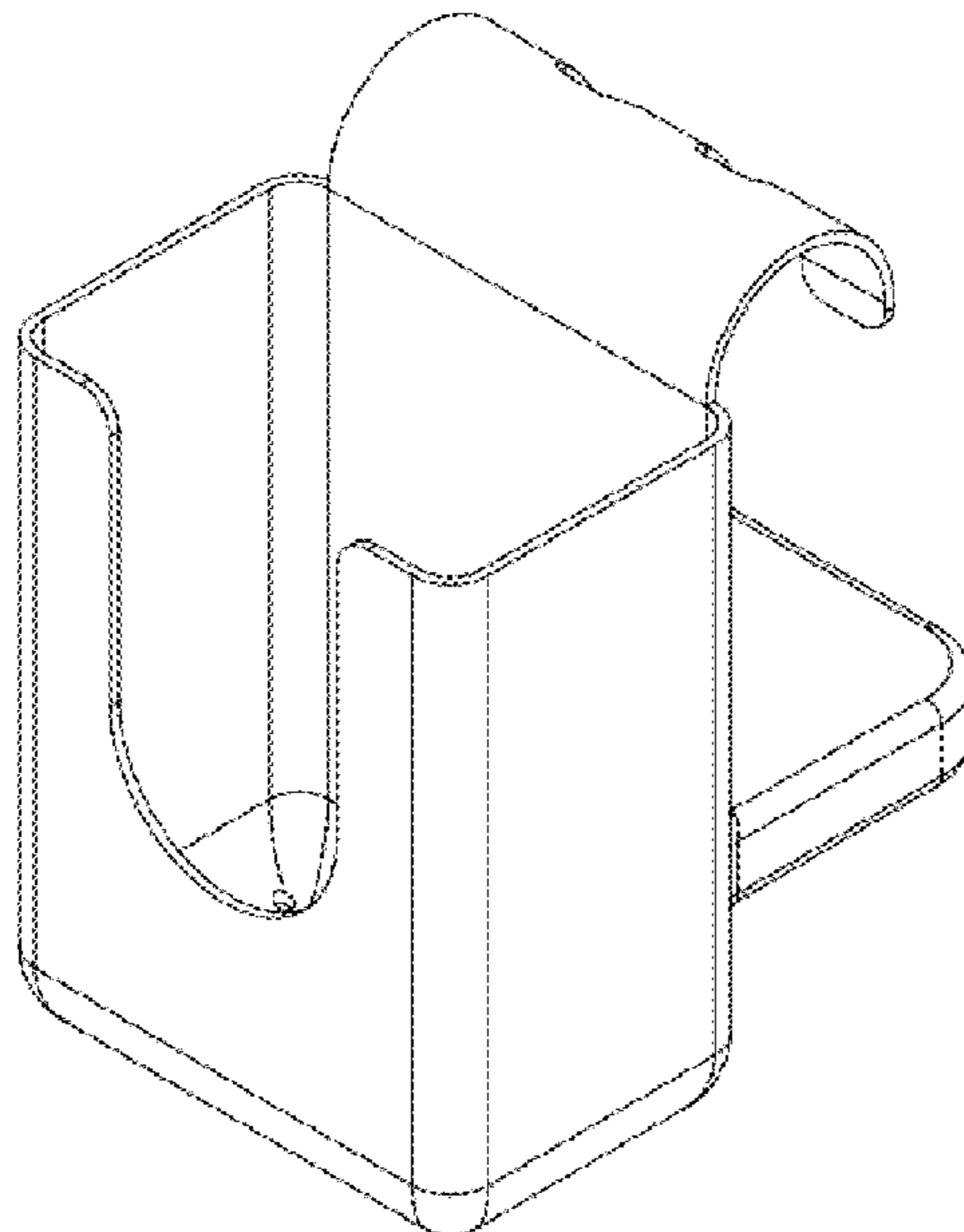
(57) **CLAIM**

I claim the ornamental design for a soap bar holder, as shown and described.

DESCRIPTION

FIG. 1 is a perspective view of a soap bar holder of my design;
FIG. 2 is a perspective view thereof,
FIG. 3 is a right side view thereof,
FIG. 4 is a left side view thereof,
FIG. 5 is a front view thereof,
FIG. 6 is a rear view thereof,
FIG. 7 is a top view thereof; and,
FIG. 8 is a bottom view thereof.

1 Claim, 8 Drawing Sheets



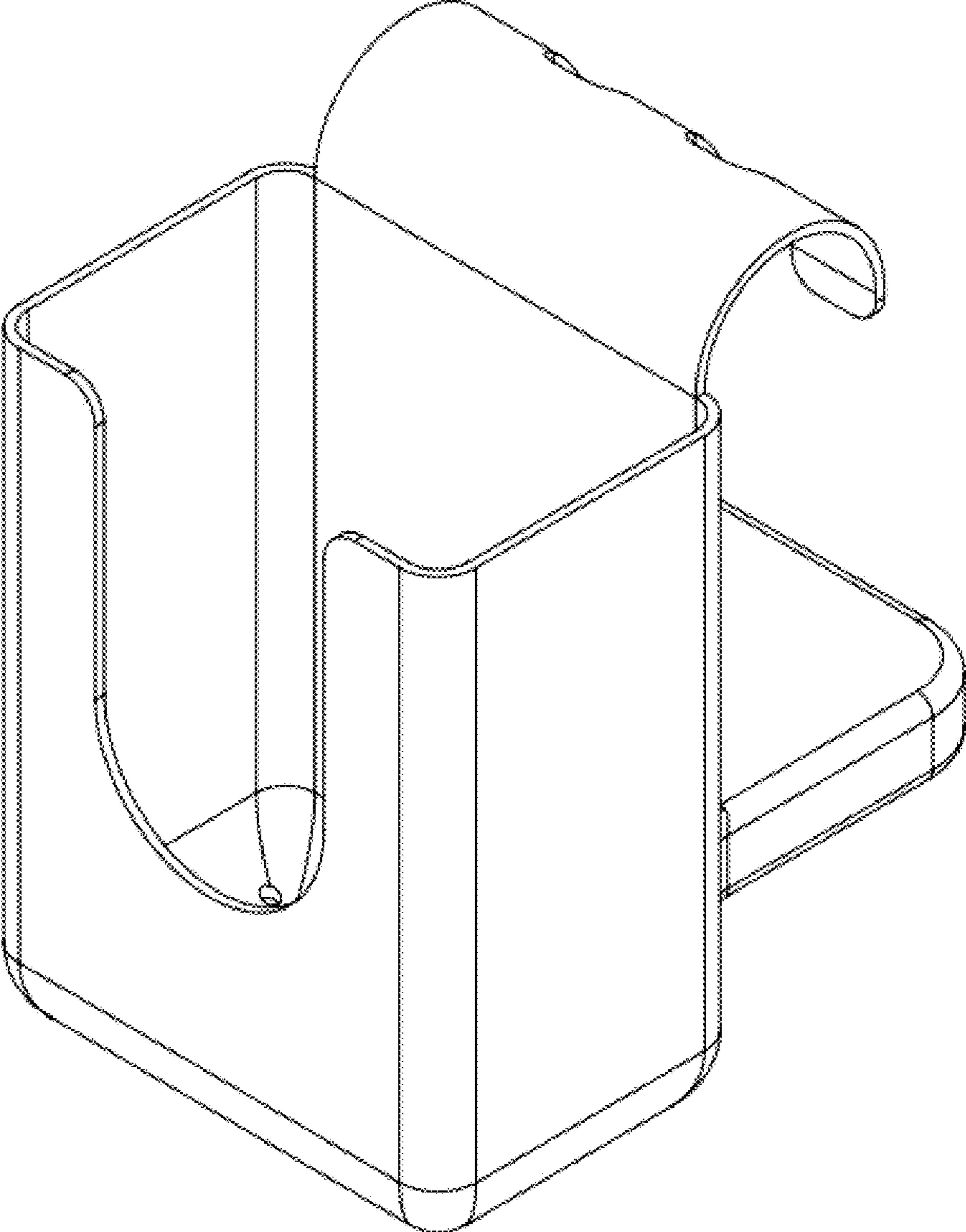


FIG. 1

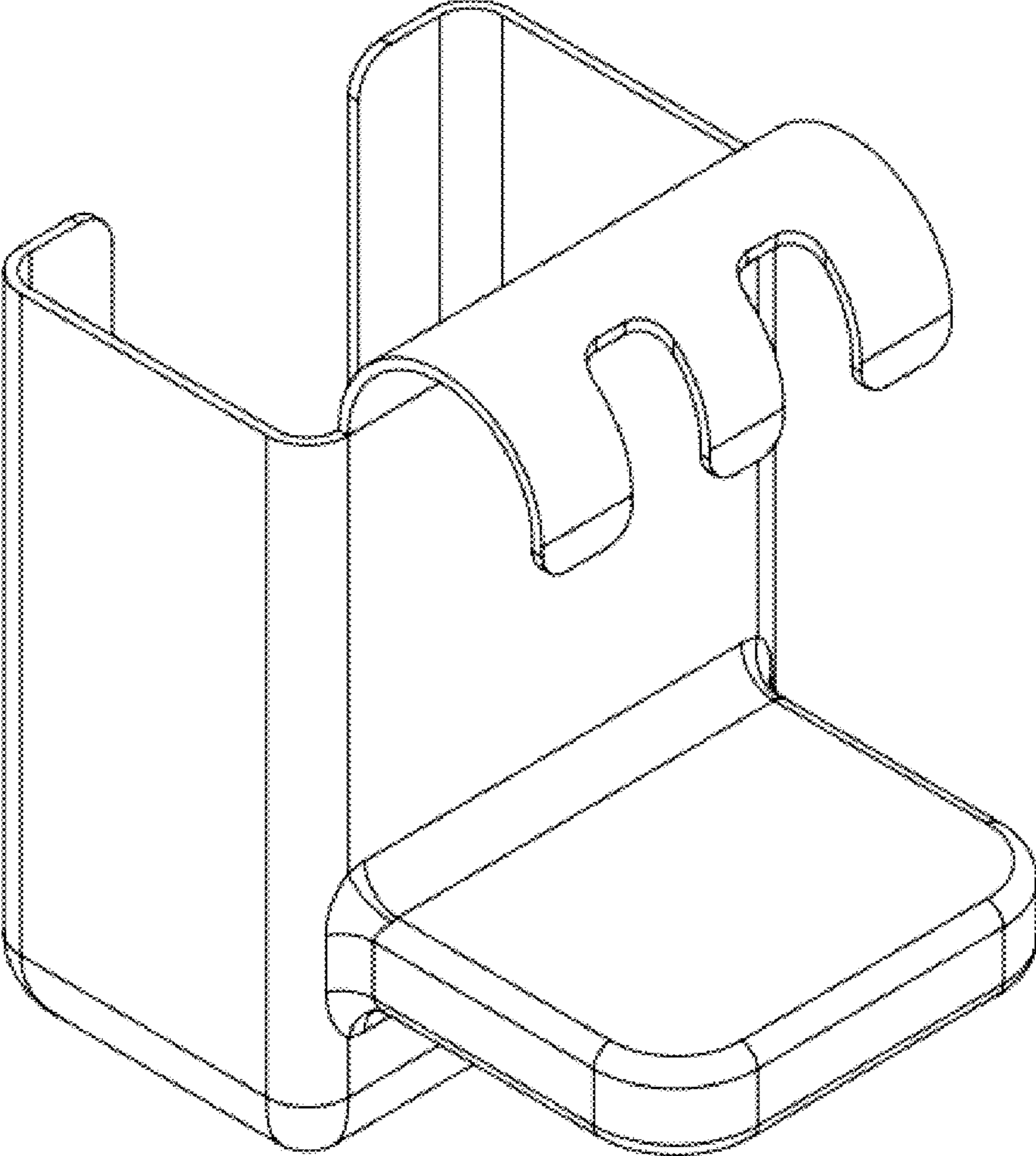


FIG. 2

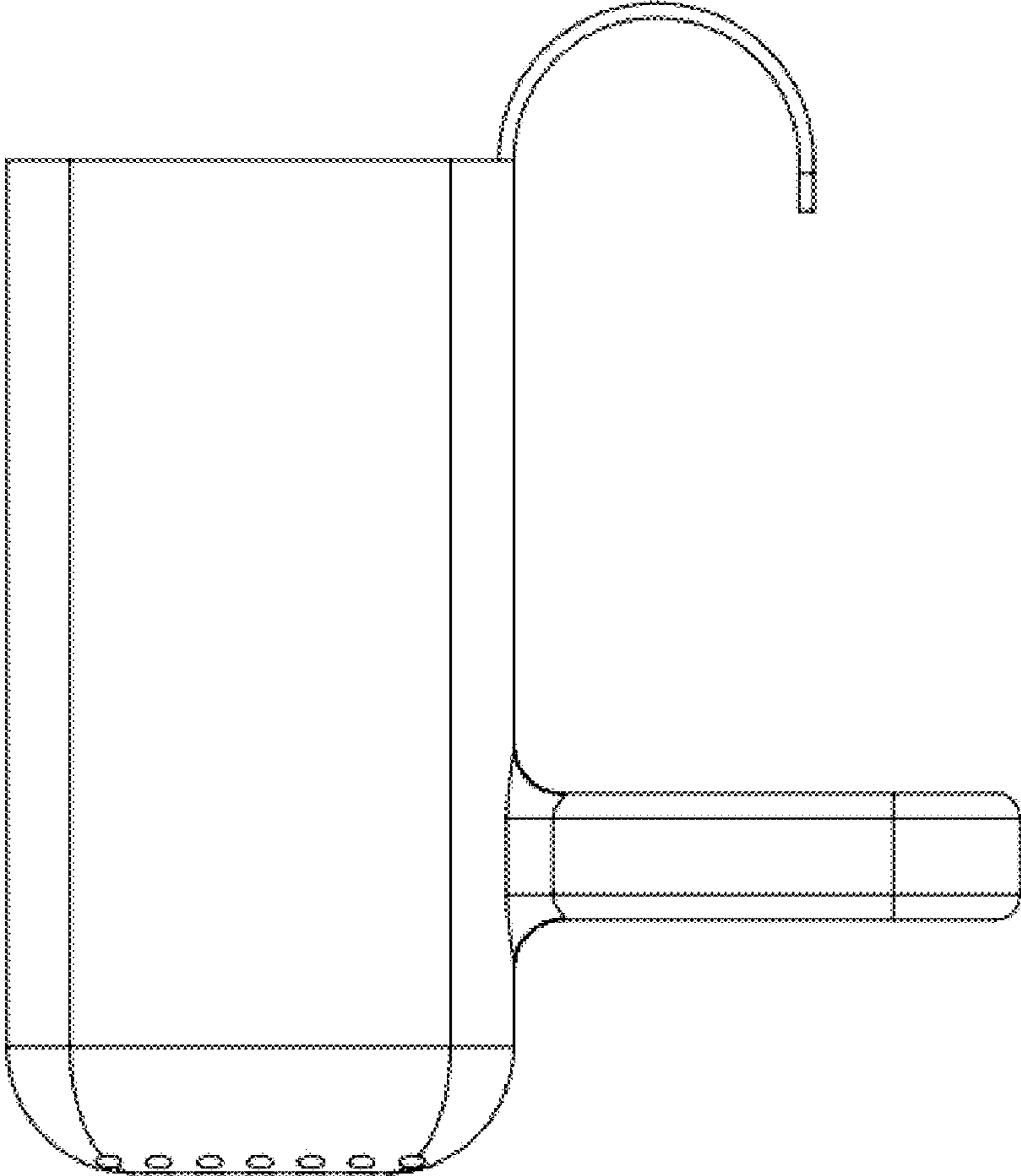


FIG. 3

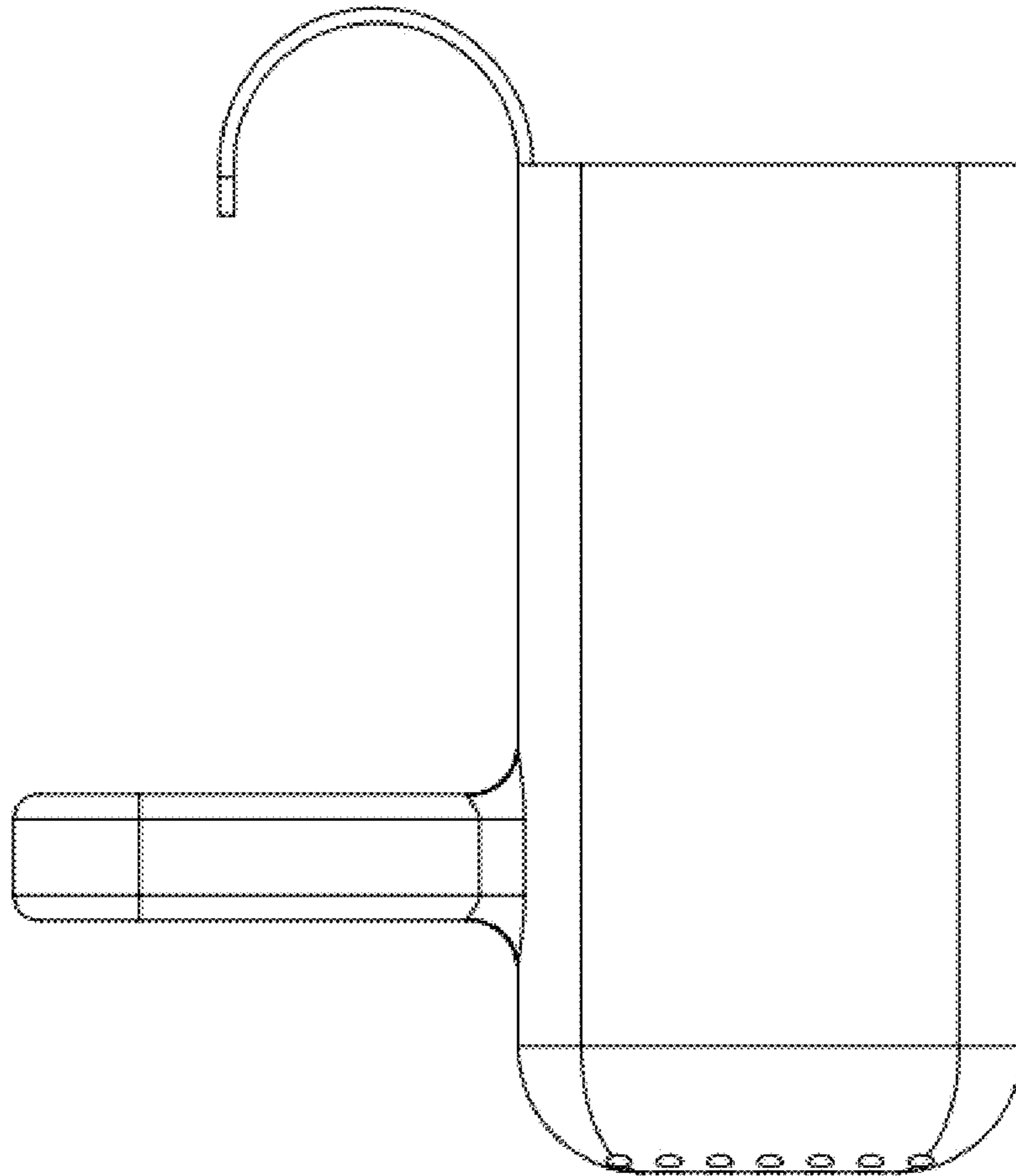


FIG. 4

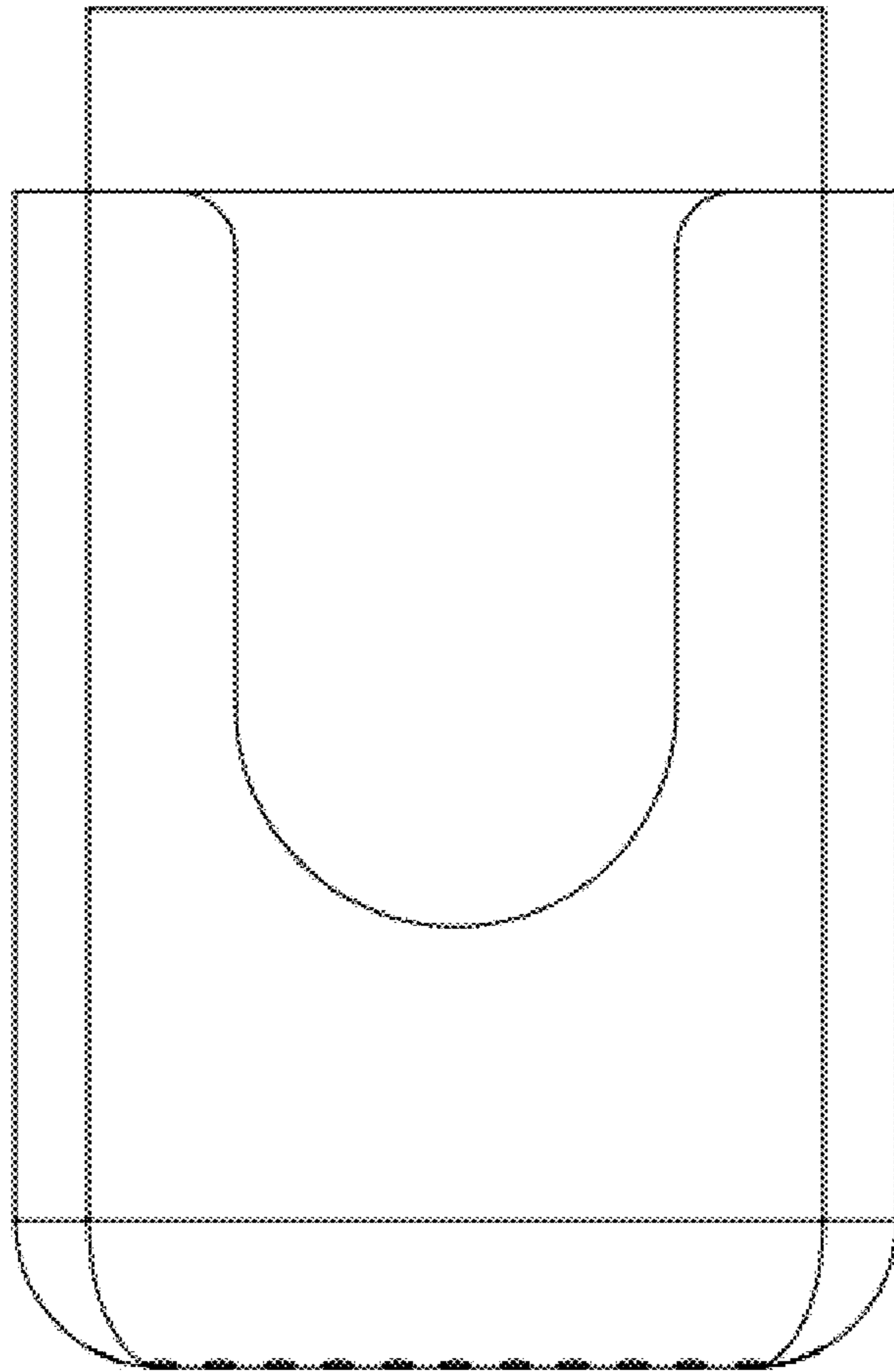


FIG. 5

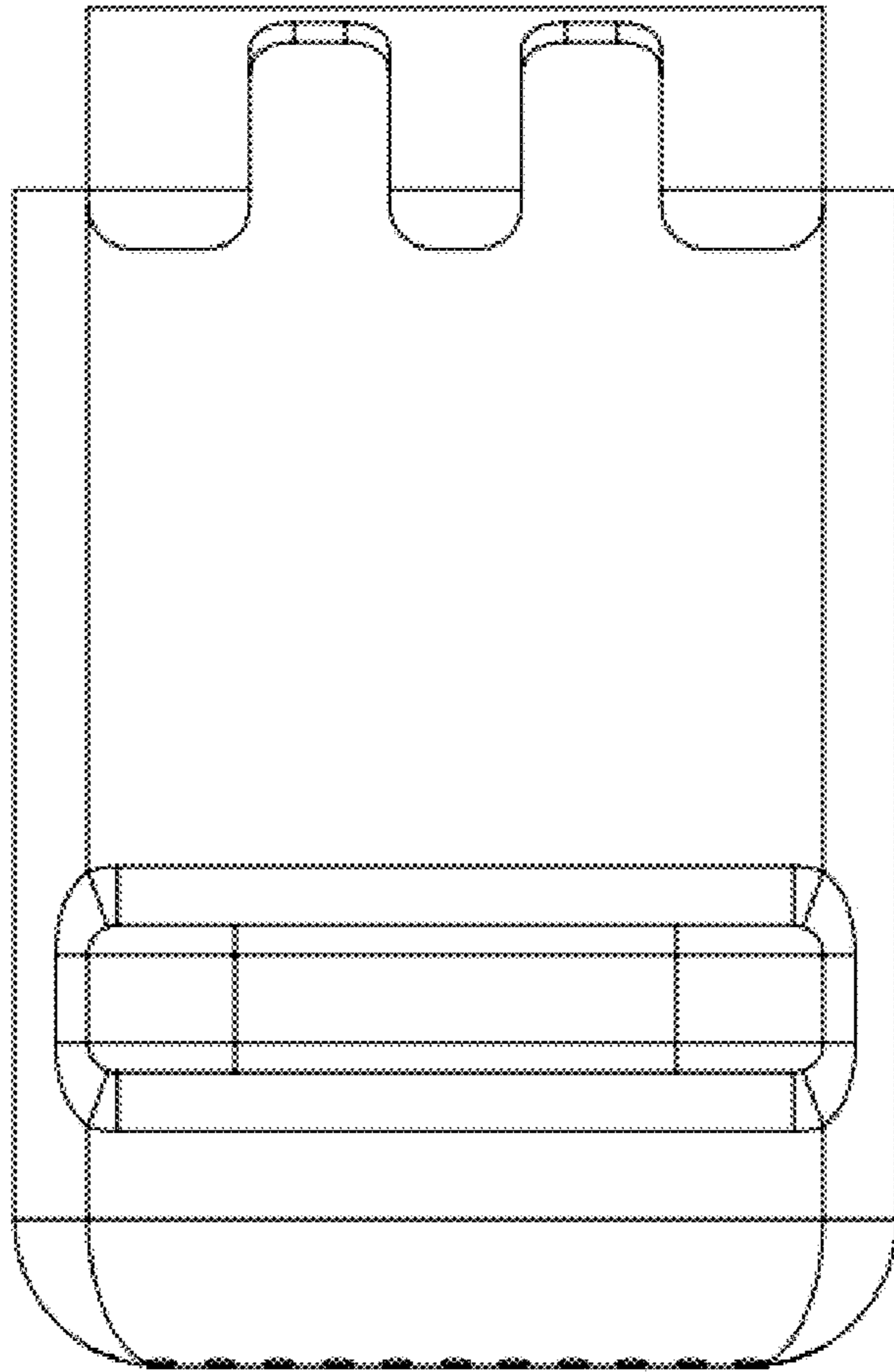


FIG. 6

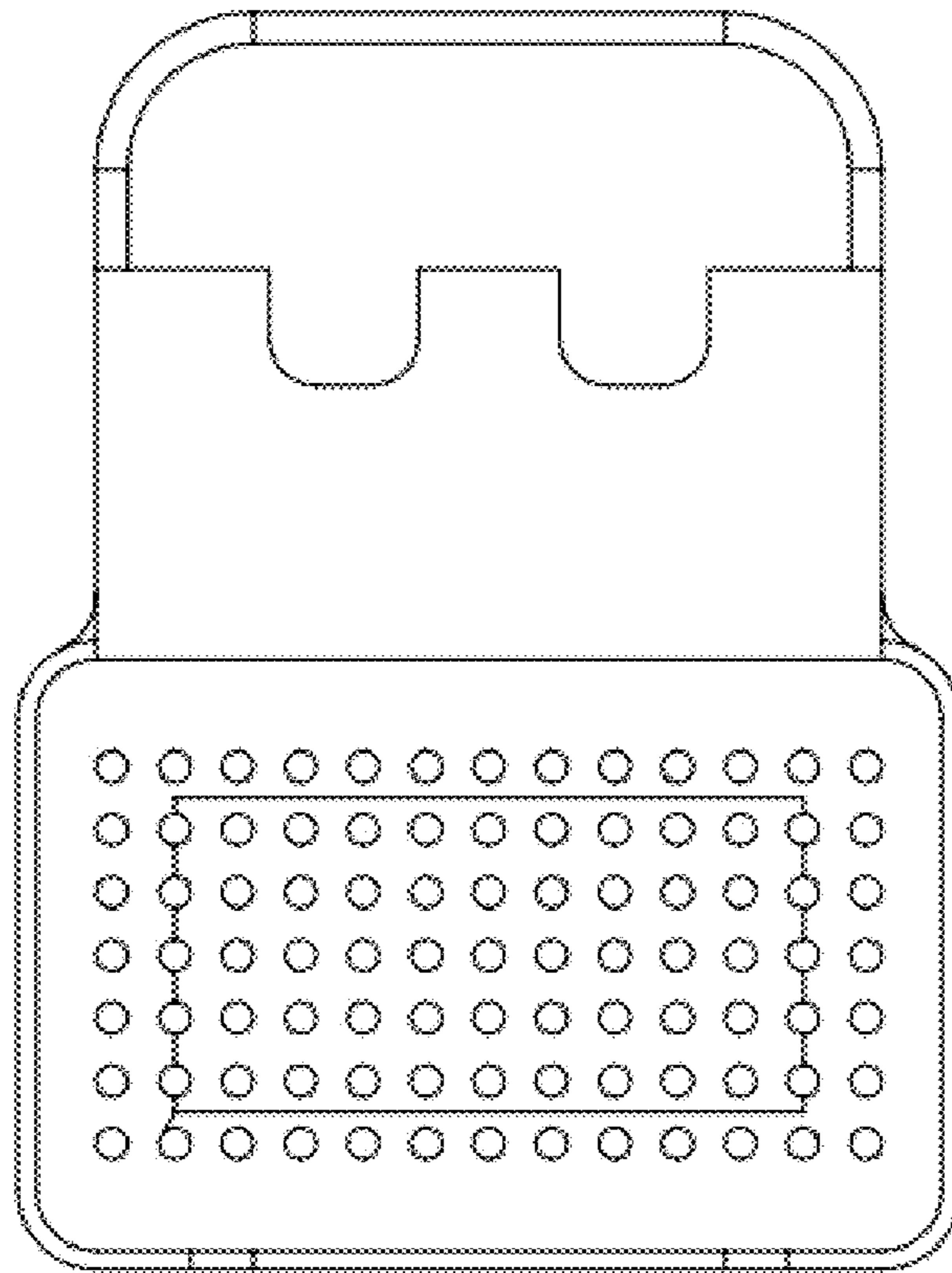


FIG. 7

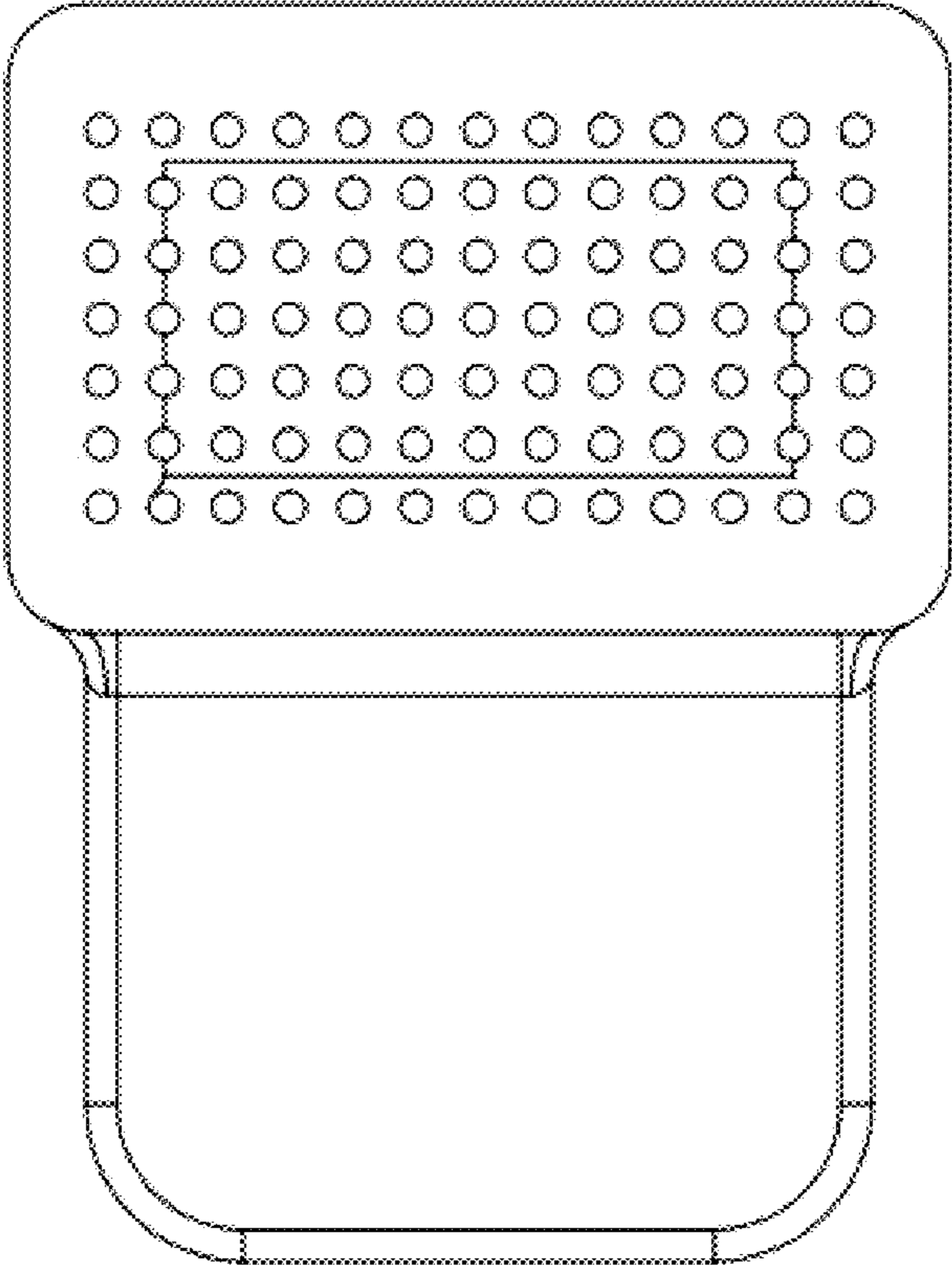


FIG. 8