



US00D988745S

(12) **United States Design Patent**
Lin

(10) **Patent No.:** **US D988,745 S**
(45) **Date of Patent:** **** Jun. 13, 2023**

(54) **HAMMOCK**

(71) Applicant: **Taizhou Zeyu Leisure Products Co., Ltd.**, Taizhou (CN)

(72) Inventor: **Ruqian Lin**, Taizhou (CN)

(73) Assignee: **Taizhou Zeyu Leisure Products Co., Ltd.**, Taizhou (CN)

(**) Term: **15 Years**

(21) Appl. No.: **29/862,125**

(22) Filed: **Dec. 6, 2022**

(51) **LOC (14) Cl.** **06-02**

(52) **U.S. Cl.**
USPC **D6/718.1; D6/387**

(58) **Field of Classification Search**
USPC D6/385-387, 718.1, 383, 608, 595
CPC A45F 3/22; A45F 3/26
See application file for complete search history.

(56) **References Cited**

U.S. PATENT DOCUMENTS

4,800,601	A *	1/1989	DeCaro	A45F 3/22 403/331
D555,932	S *	11/2007	Karabin	D6/387
D557,924	S *	12/2007	Karabin	D6/387
7,788,745	B1 *	9/2010	Beaton	A45F 3/22 5/120
D683,994	S	6/2013	Logothetis		
D706,069	S *	6/2014	Robbins	D6/718.1
D706,070	S *	6/2014	Matthews, II	D6/718.1
D714,071	S	9/2014	Matthews, II		
D906,030	S *	12/2020	Chen	D6/718.1
2004/0154098	A1 *	8/2004	Bhatt	A45F 3/22 5/122
2014/0289962	A1 *	10/2014	Watkins	A45F 3/24 5/120
2018/0000256	A1 *	1/2018	Saunders, Sr.	A47C 21/00
2021/0321752	A1 *	10/2021	Demin	A45F 3/24

FOREIGN PATENT DOCUMENTS

CN 306417364 * 3/2021

OTHER PUBLICATIONS

Suncreat-Hammock, posted at amazon.com, posting date Dec. 9, 2020, retrieved Jan. 27, 2023, online, URL: https://www.amazon.com/SUNCREAT-Hammocks-Spreader-Portable-Carrying/dp/B08Q3FYY6G/ref=sr_1_55?crd=ZUXCAIKUD1FY&keywords=ha... (Year: 2020).*

INNO-STAGE-Brazilian-Hammock, posted at amazon.com, posting date Oct. 9, 2020, retrieved Jan. 27, 2023, online, URL: https://www.amazon.com/INNOSTAGE-Brazilian-Hammock-Canvas-Portable/dp/B083NTSX8V/ref=sr_1_5?crd=3NSLRCPG61PHB&keywords=ham... (Year: 2020).*

* cited by examiner

Primary Examiner — Mary Shannon Malley
Assistant Examiner — Michelle Marquart Christeon
(74) *Attorney, Agent, or Firm* — ScienBiziP, P.C.

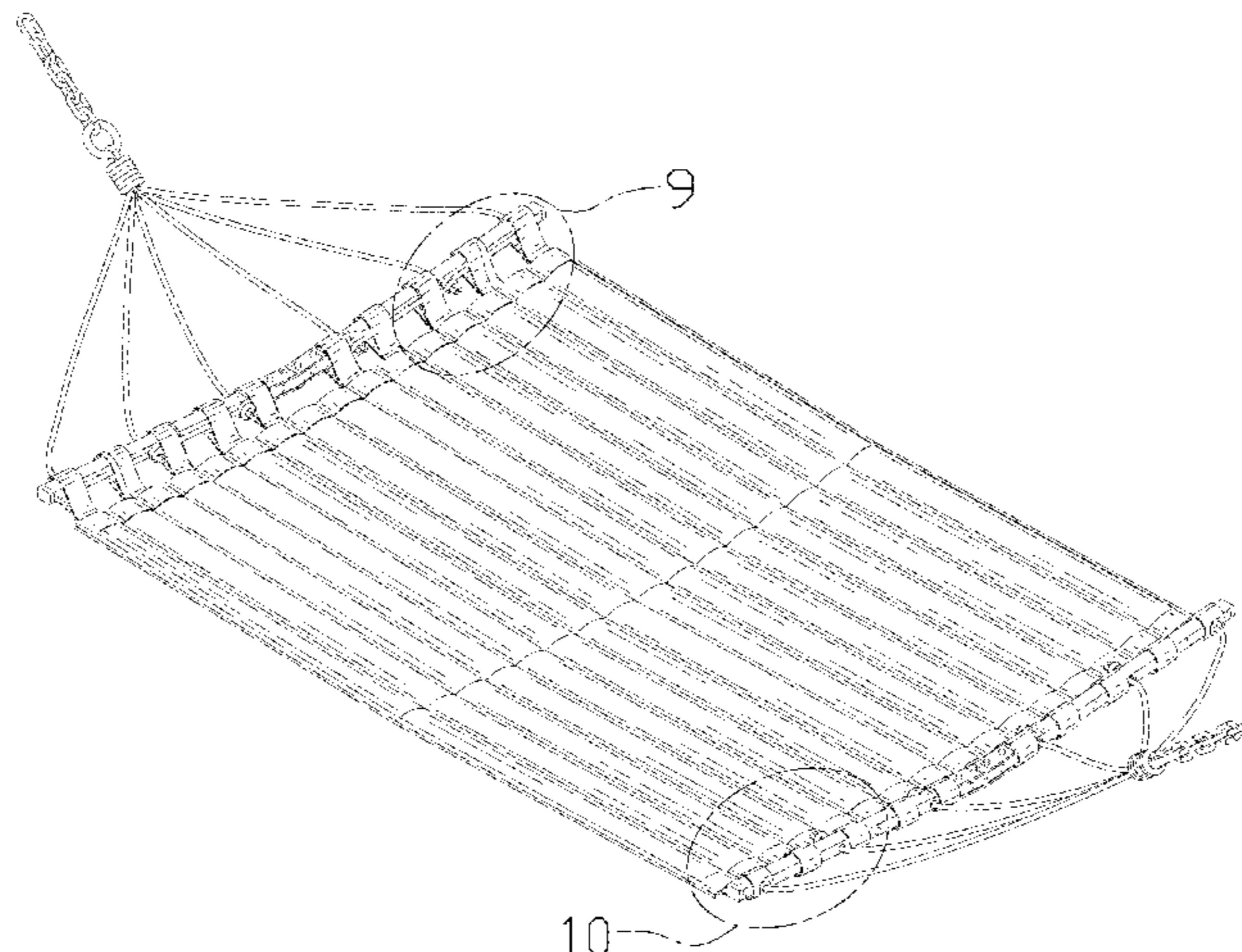
(57) **CLAIM**

The ornamental design for a hammock, as shown and described.

DESCRIPTION

FIG. 1 is a front, right and top perspective view of a hammock, showing my design.
FIG. 2 is a rear, left and bottom perspective view thereof.
FIG. 3 is a front elevation view thereof.
FIG. 4 is a rear elevation view thereof.
FIG. 5 is a left side elevation view thereof.
FIG. 6 is a right side elevation view thereof.
FIG. 7 is a top plan view thereof.
FIG. 8 is a bottom plan view thereof.
FIG. 9 is an enlarged view of detail 9 in FIG. 1; and,
FIG. 10 is an enlarged view of detail 10 in FIG. 1.
The broken lines depict portions of the hammock that form no part of the claimed design. The dot-dash broken lines in FIGS. 1, 9 and 10 depict the boundaries of the enlargements that form no part of the claimed design.

1 Claim, 10 Drawing Sheets



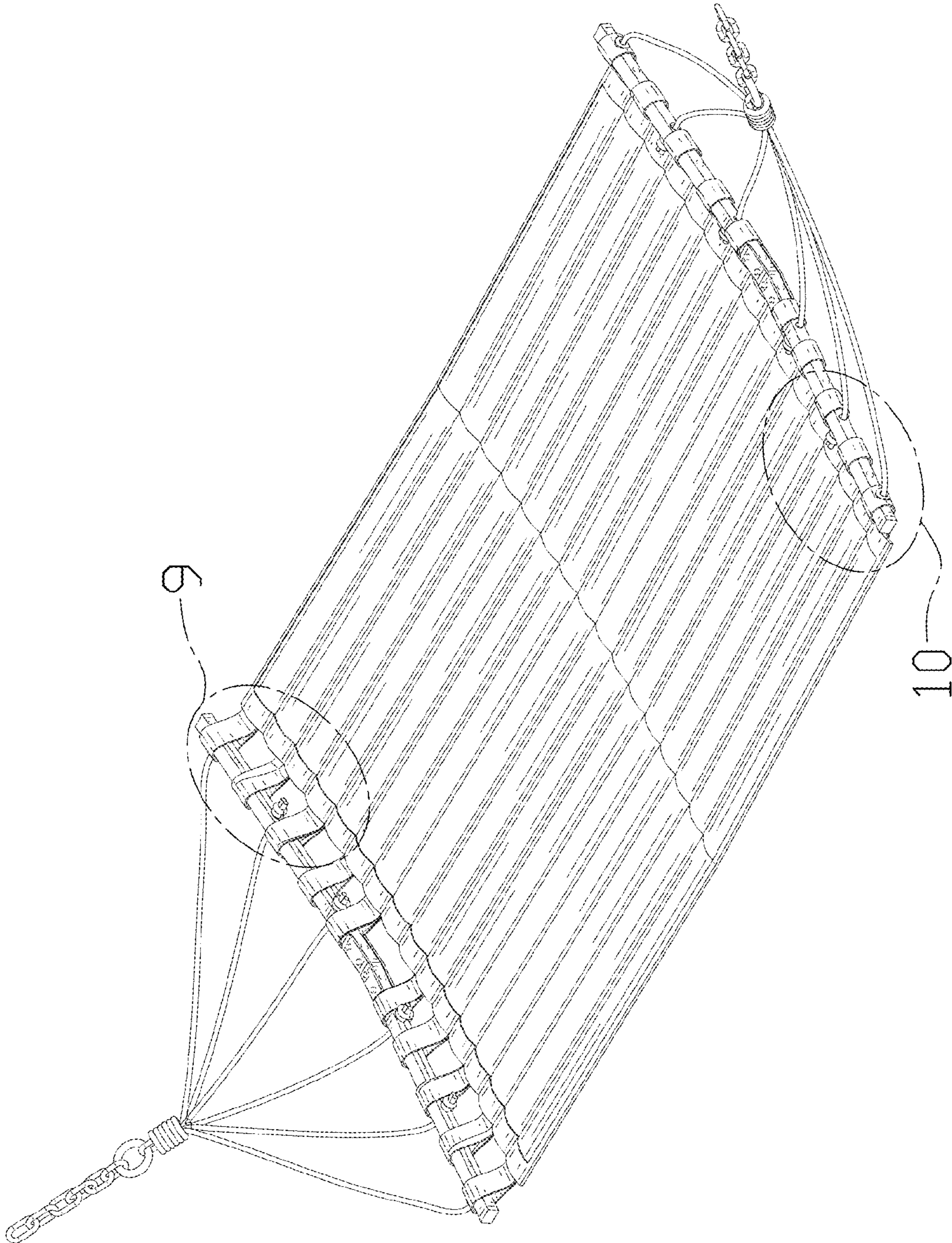


FIG. 1

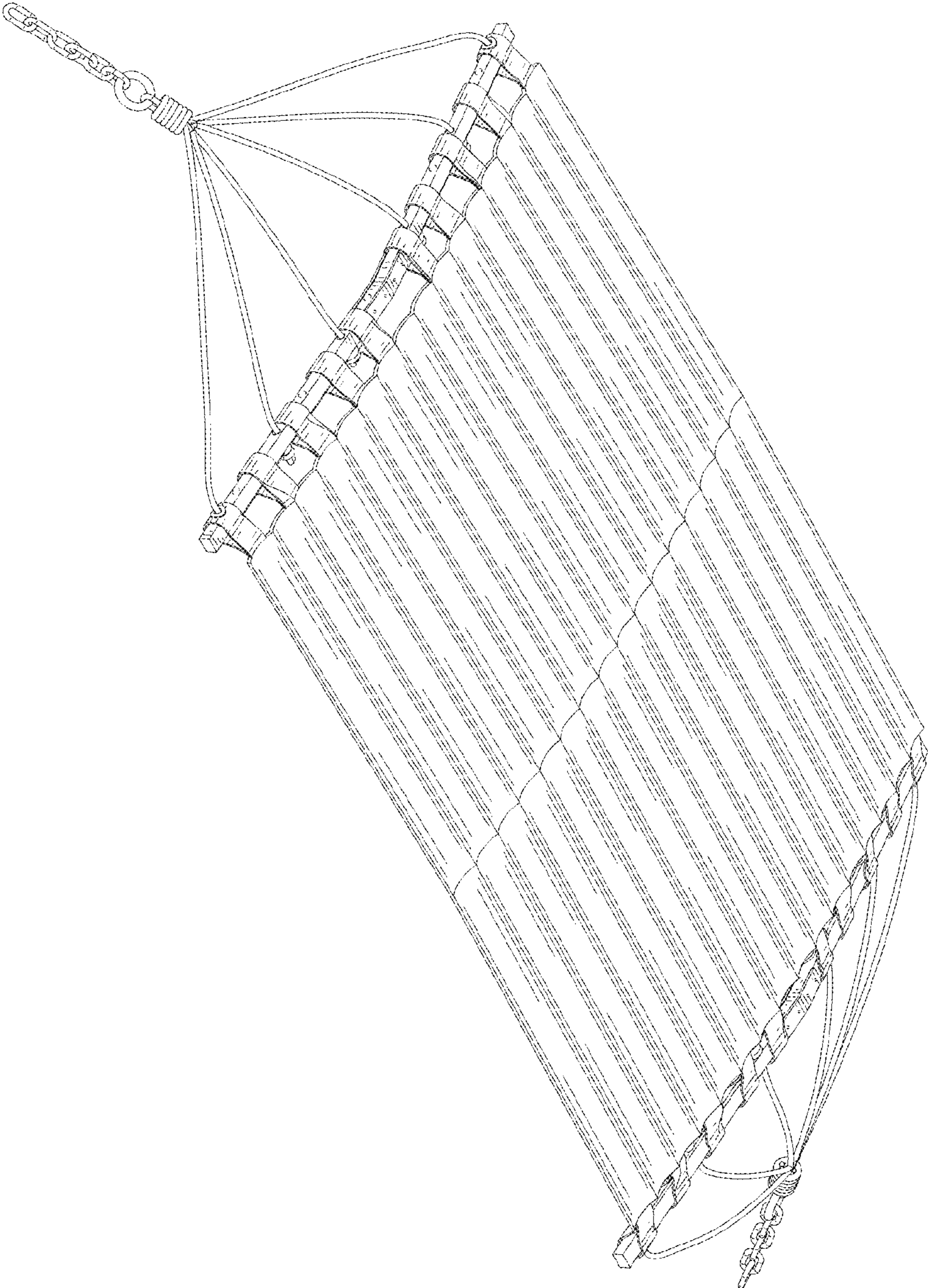


FIG. 2

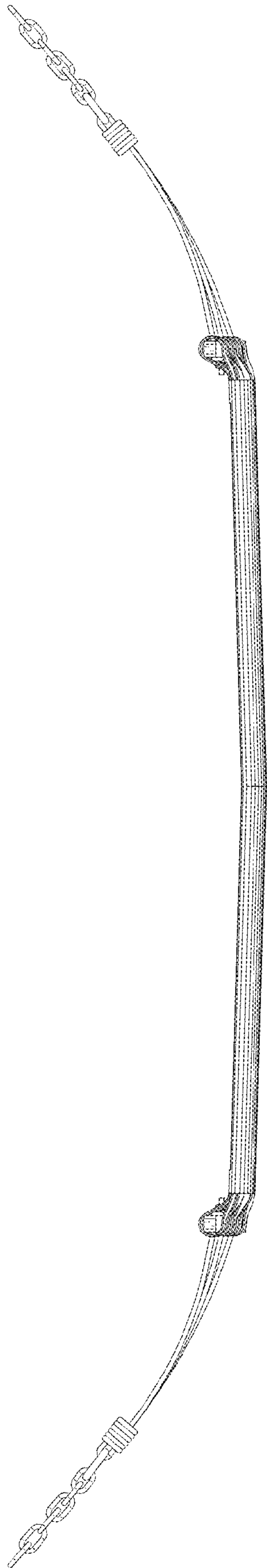


FIG. 3

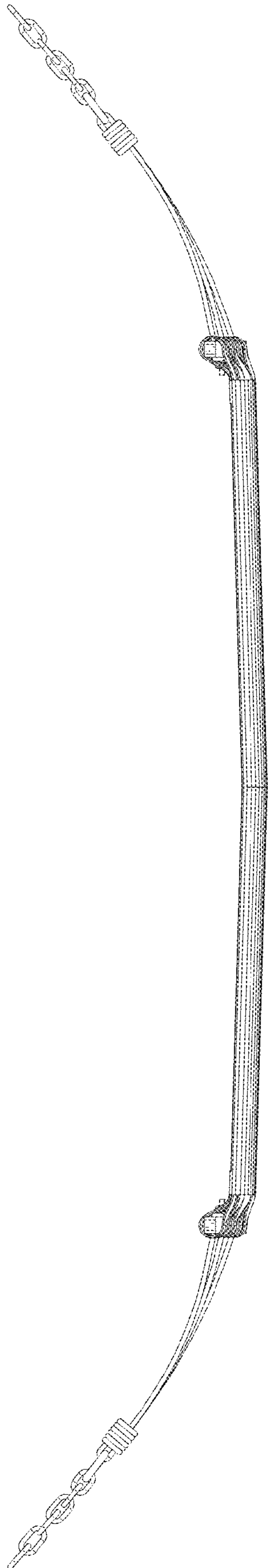


FIG. 4

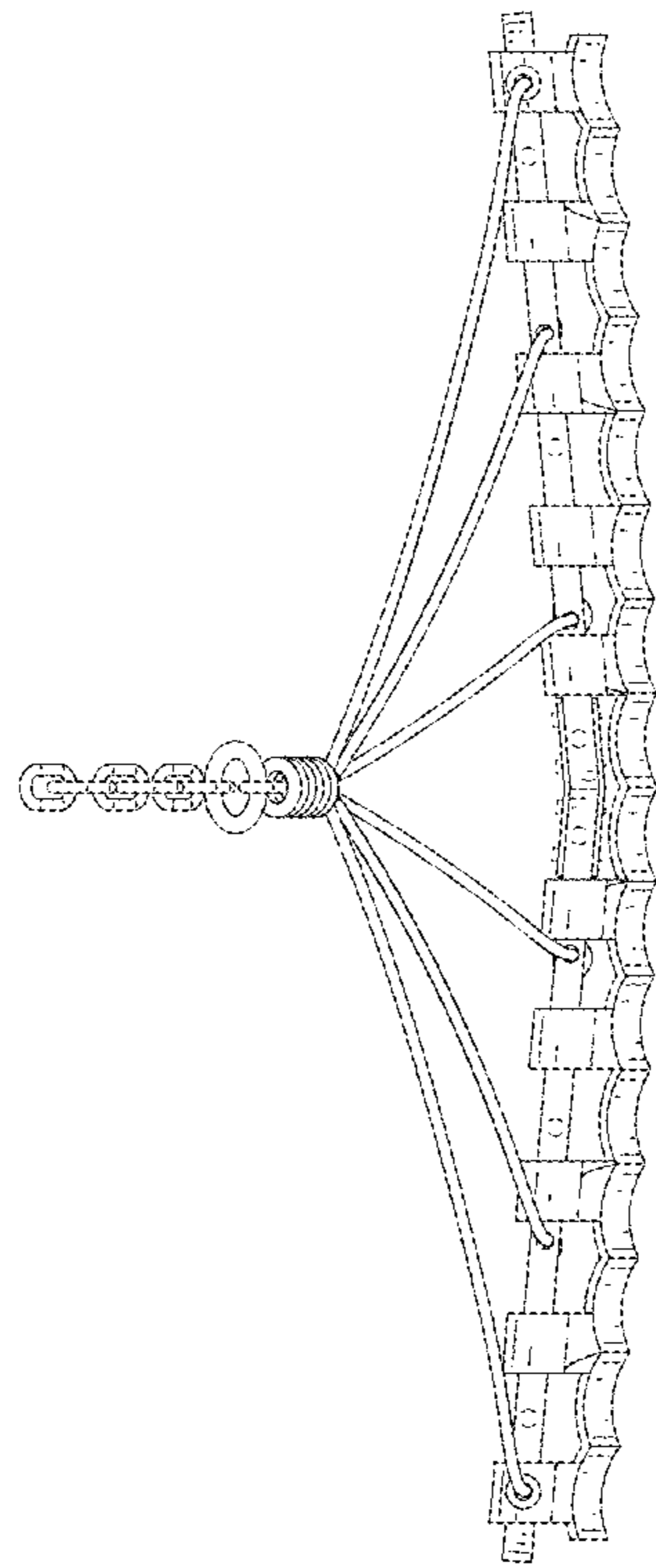


FIG. 5

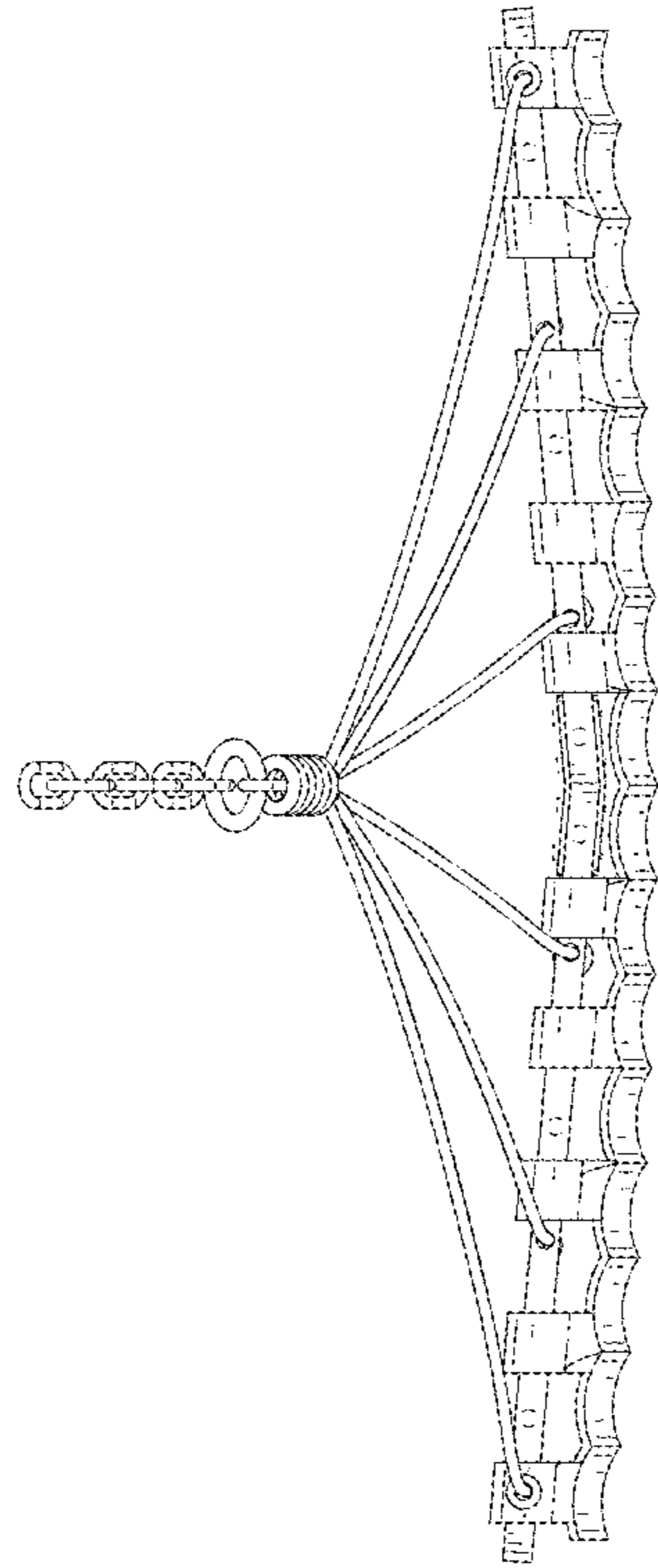


FIG. 6

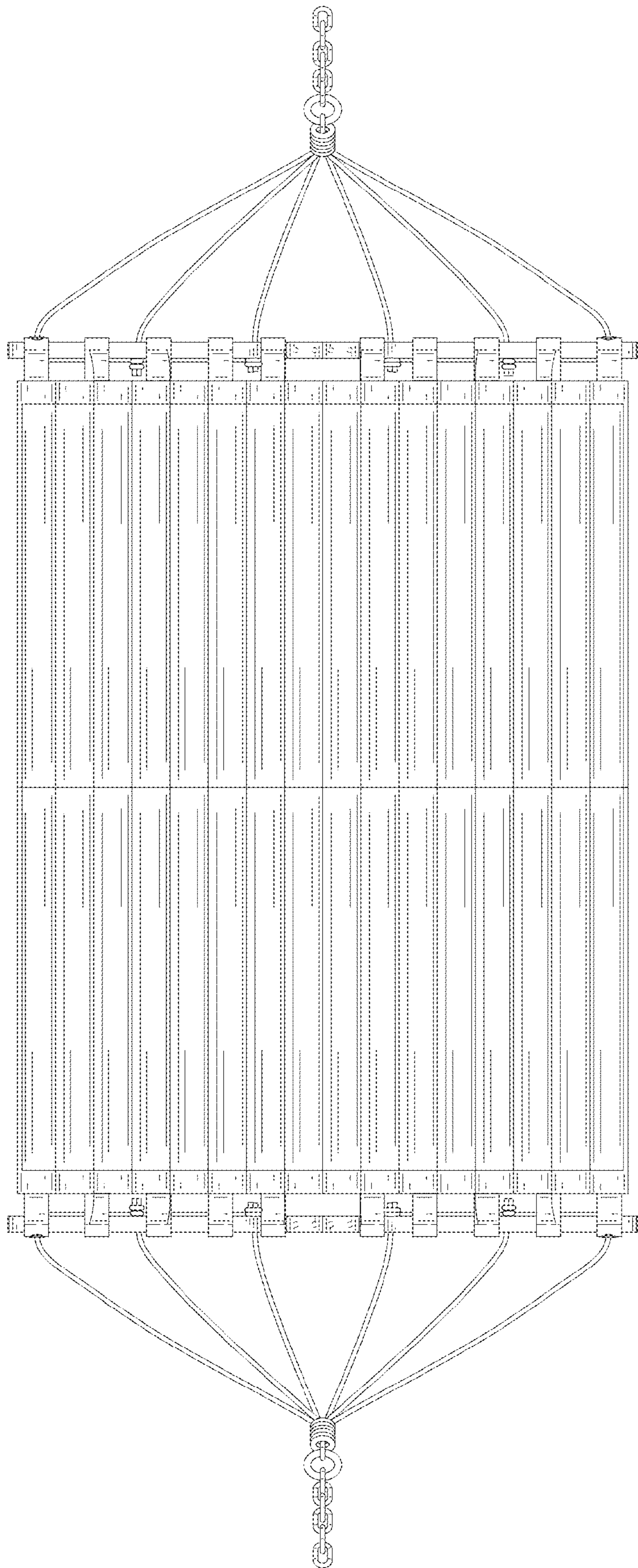


FIG. 7

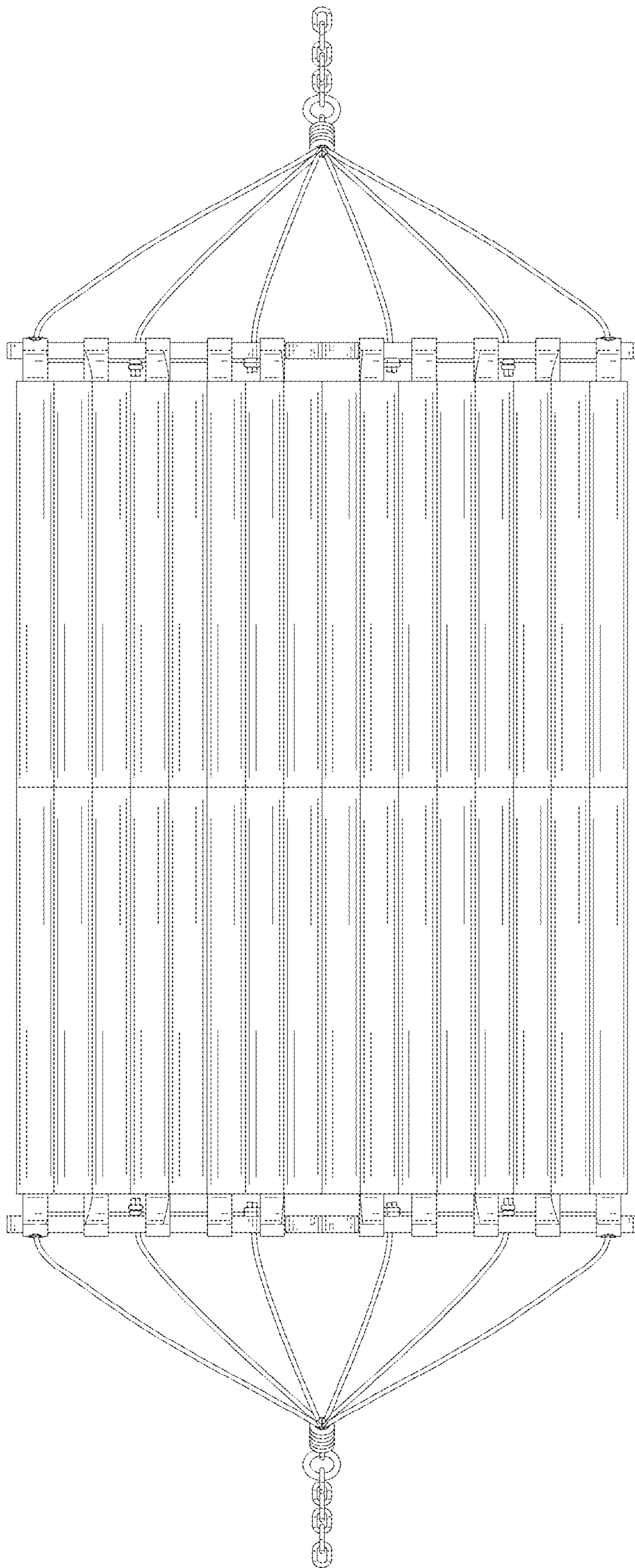


FIG. 8

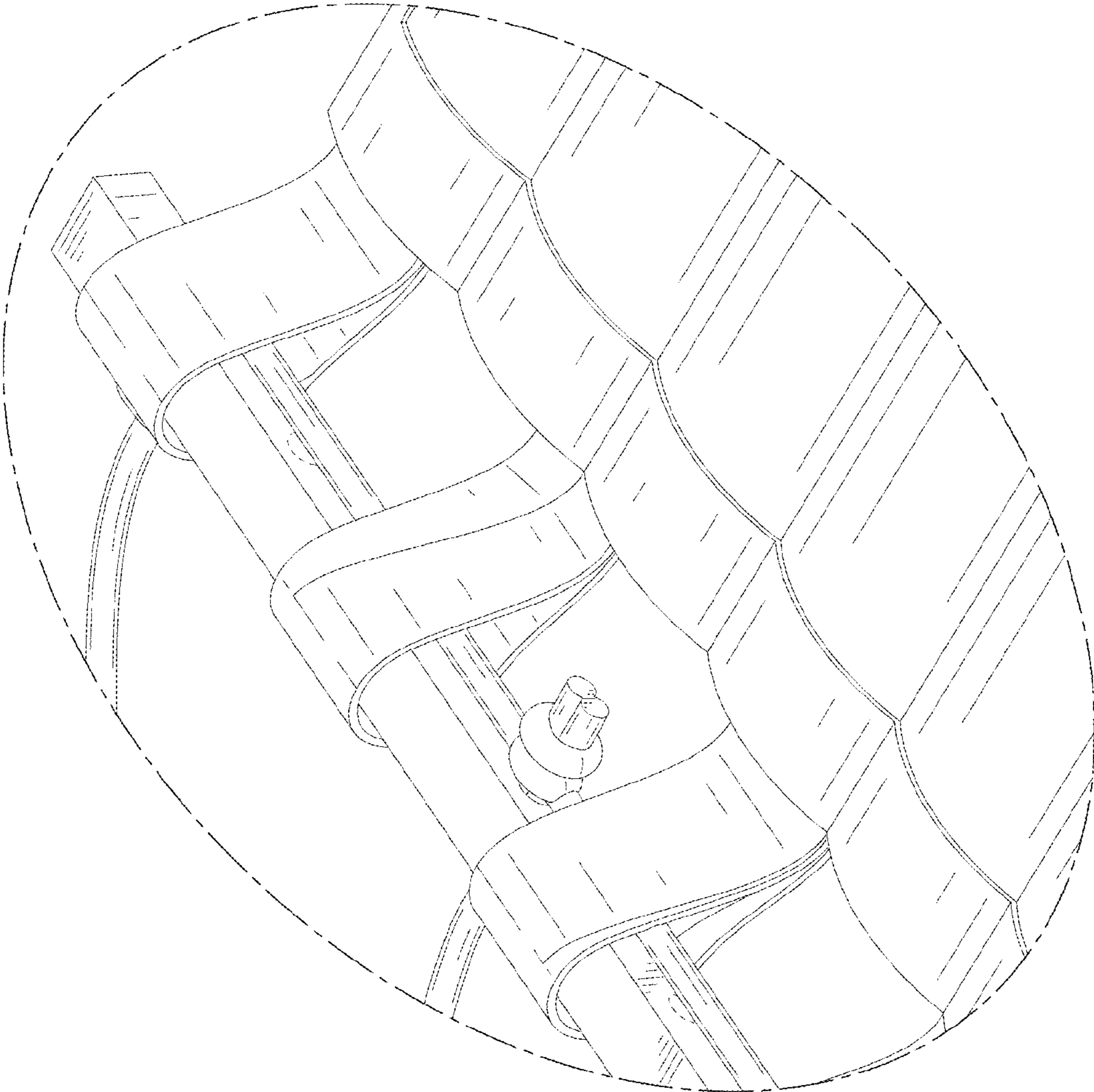


FIG. 9

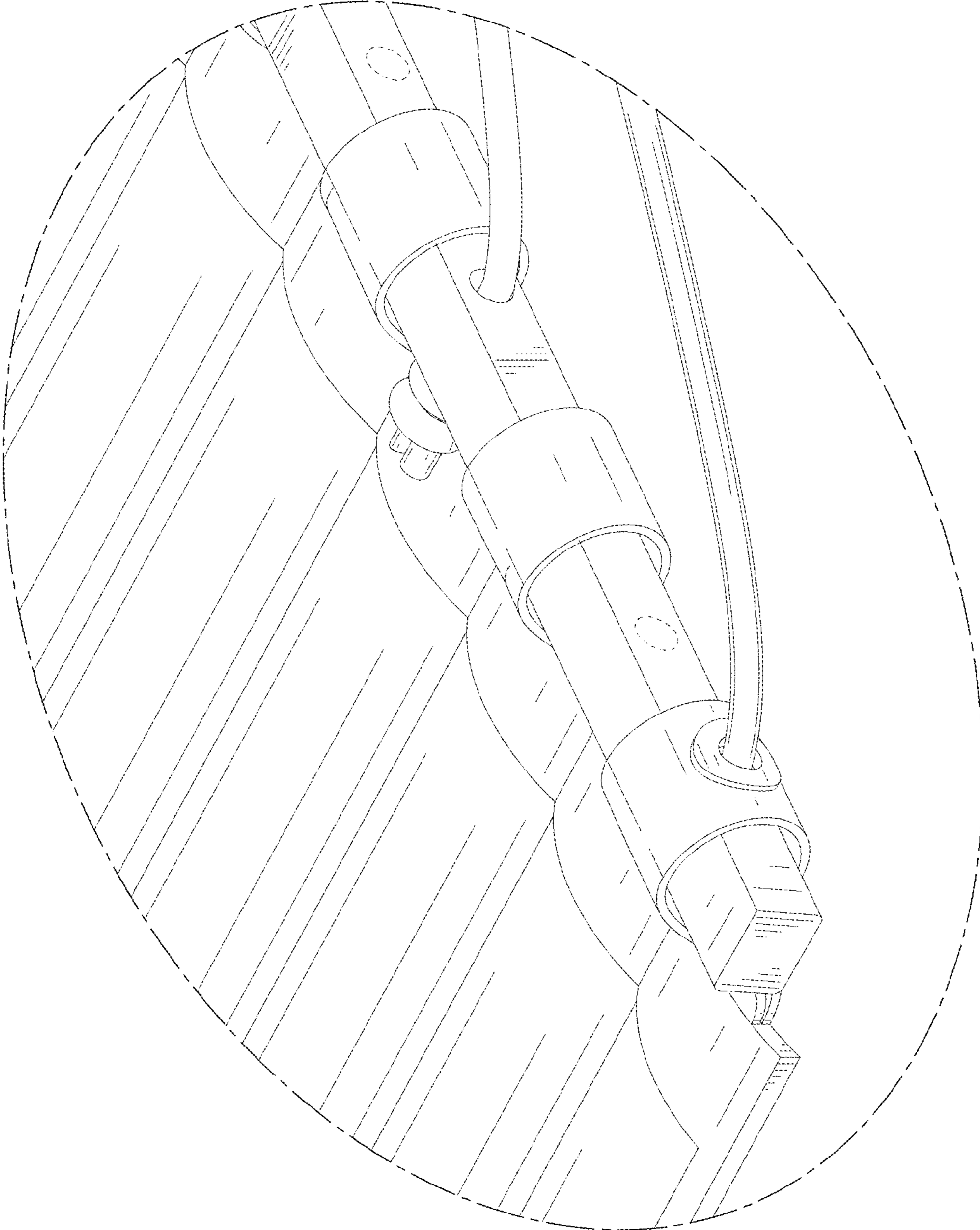


FIG. 10