



US00D988742S

(12) **United States Design Patent** (10) **Patent No.:** **US D988,742 S**
Slaatto (45) **Date of Patent:** **** Jun. 13, 2023**

(54) **CHAIR**
(71) Applicant: **Magnus Olesen A/S**, Durup (DK)
(72) Inventor: **Øivind Slaatto**, Copenhagen (DK)
(73) Assignee: **Magnus Olesen A/S**, Durup (DK)
(**) Term: **15 Years**

D800,474 S * 10/2017 Tran D6/380
D933,988 S * 10/2021 Li D6/374
D950,266 S * 5/2022 Li D6/380

FOREIGN PATENT DOCUMENTS

GB 8208993000-1000 * 2/2020
GB 8208993000-2000 * 2/2020
GB 8208993000-3000 * 2/2020
GB 8208993000-4000 * 2/2020

(Continued)

(21) Appl. No.: **29/748,463**

(22) Filed: **Aug. 28, 2020**

(30) **Foreign Application Priority Data**

Feb. 28, 2020 (WO) WIPO92619

(51) **LOC (14) Cl.** **06-01**

(52) **U.S. Cl.**
USPC **D6/376; D6/375**

(58) **Field of Classification Search**
USPC D6/373, 374, 369, 370, 371, 376, 377,
D6/378, 379, 380, 716-716.5
CPC A47C 5/02; A47C 5/08; A47C 3/04; A47C
3/12
See application file for complete search history.

(56) **References Cited**

U.S. PATENT DOCUMENTS

D227,961 S * 7/1973 Ekuan D6/374
D346,501 S * 5/1994 Llusca D6/374
5,868,468 A * 2/1999 Wang A47C 3/04
297/319
D471,729 S * 3/2003 Glass D6/375
D553,380 S * 10/2007 Natuzzi D6/375
D580,674 S * 11/2008 Naranjo Cardona D6/375
D670,099 S * 11/2012 Olivares D6/375
D686,857 S * 7/2013 Fletcher D6/716
8,678,504 B1 * 3/2014 Bakker A47C 3/12
297/440.22

OTHER PUBLICATIONS

Ø Chair by Øivind Slaatto—Magnus Olesen, available in scandinaviandesign.com, published Sep. 4, 2020 [online], Retrieved on May 6, 2022 from URL: <https://www.scandinaviandesign.com/o-chair-by-ovind-slaatto-magnus-olesen/> (Year: 2020).*

Primary Examiner — Vy N Koenig
Assistant Examiner — Michelle M Reeves
(74) *Attorney, Agent, or Firm* — Knobbe Martens Olson & Bear, LLP

(57) **CLAIM**

The ornamental design for a chair, as shown and described.

DESCRIPTION

FIG. 1 is a perspective view of a chair embodying the new design and including a backrest, a seat, a frame, and a fastening assembly including a first fastener and a second fastener.

FIG. 2 is a front view thereof.

FIG. 3 is a rear view thereof.

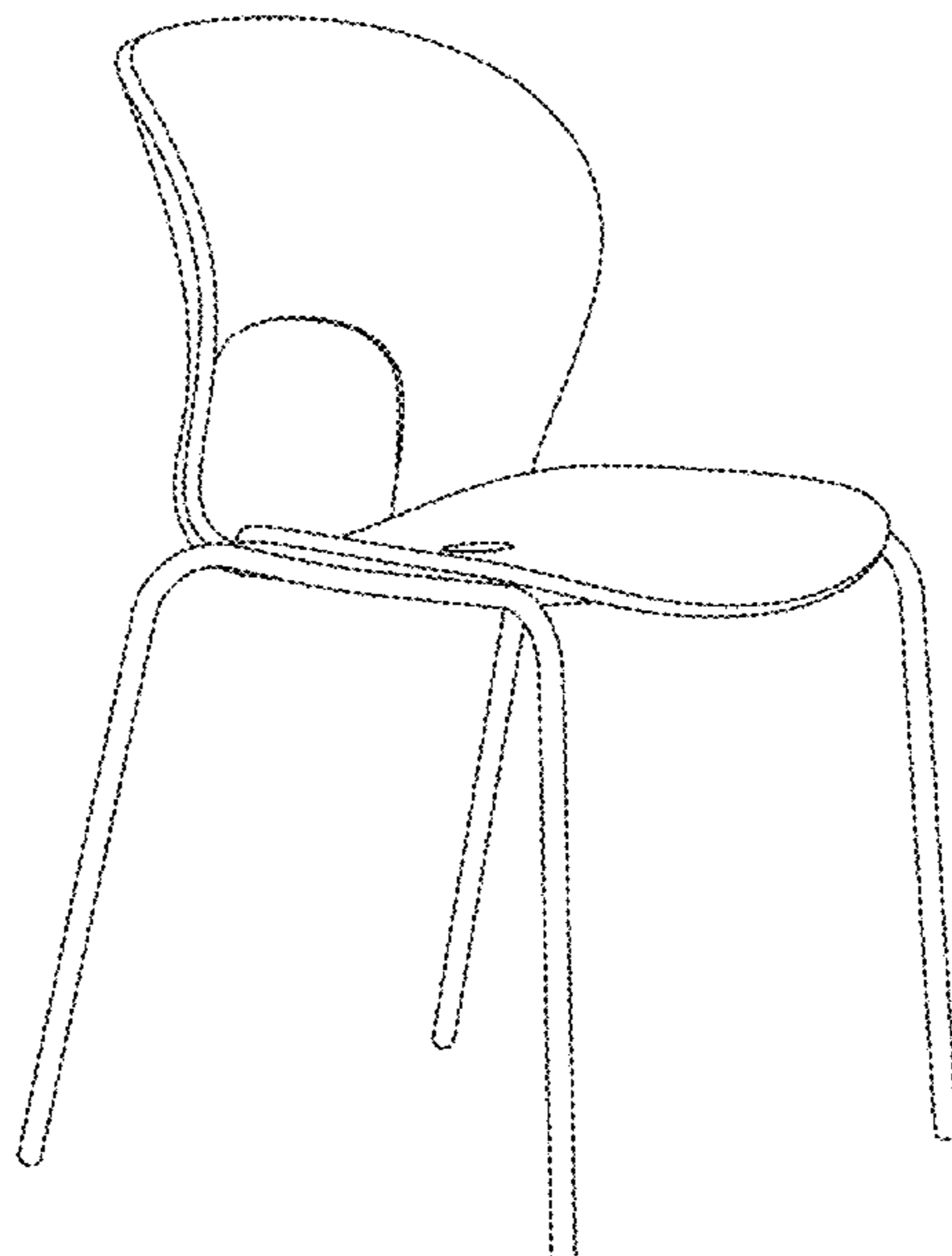
FIG. 4 is a first side view thereof.

FIG. 5 is a second side view thereof; and,

FIG. 6 is a top view thereof.

All features in broken lines are for the purpose of illustrating environmental structure and form no part of the claimed subject matter.

1 Claim, 6 Drawing Sheets



(56)

References Cited

FOREIGN PATENT DOCUMENTS

GB	8208993000-5000	*	2/2020
GB	8210784000-1000	*	2/2020
WO	D208993-001	*	7/2020
WO	D208993-002	*	7/2020
WO	D208993-003	*	7/2020
WO	D208993-004	*	7/2020
WO	D208993-005	*	7/2020
WO	D210784-001	*	10/2020

* cited by examiner

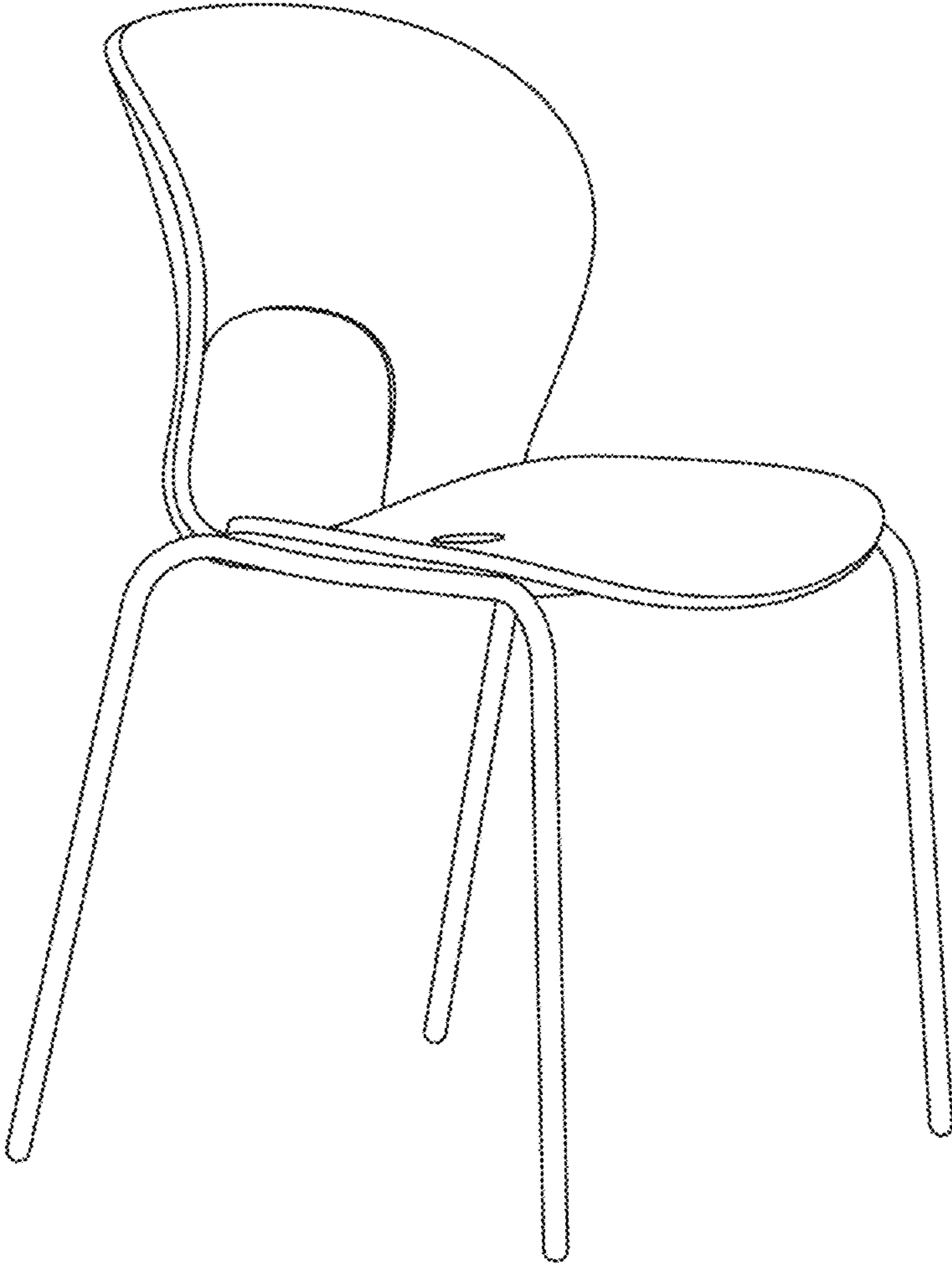


FIG. 1

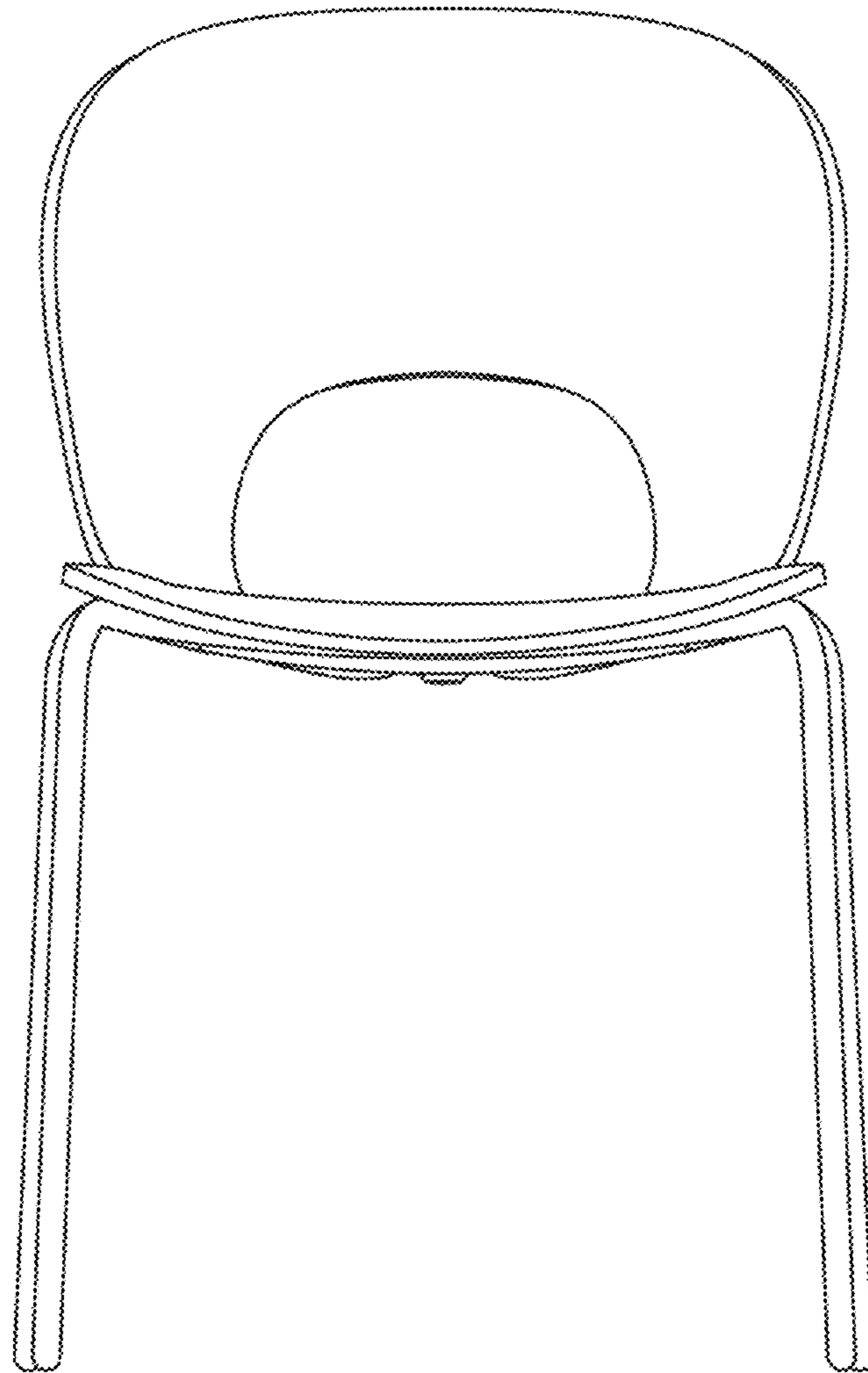


FIG. 2

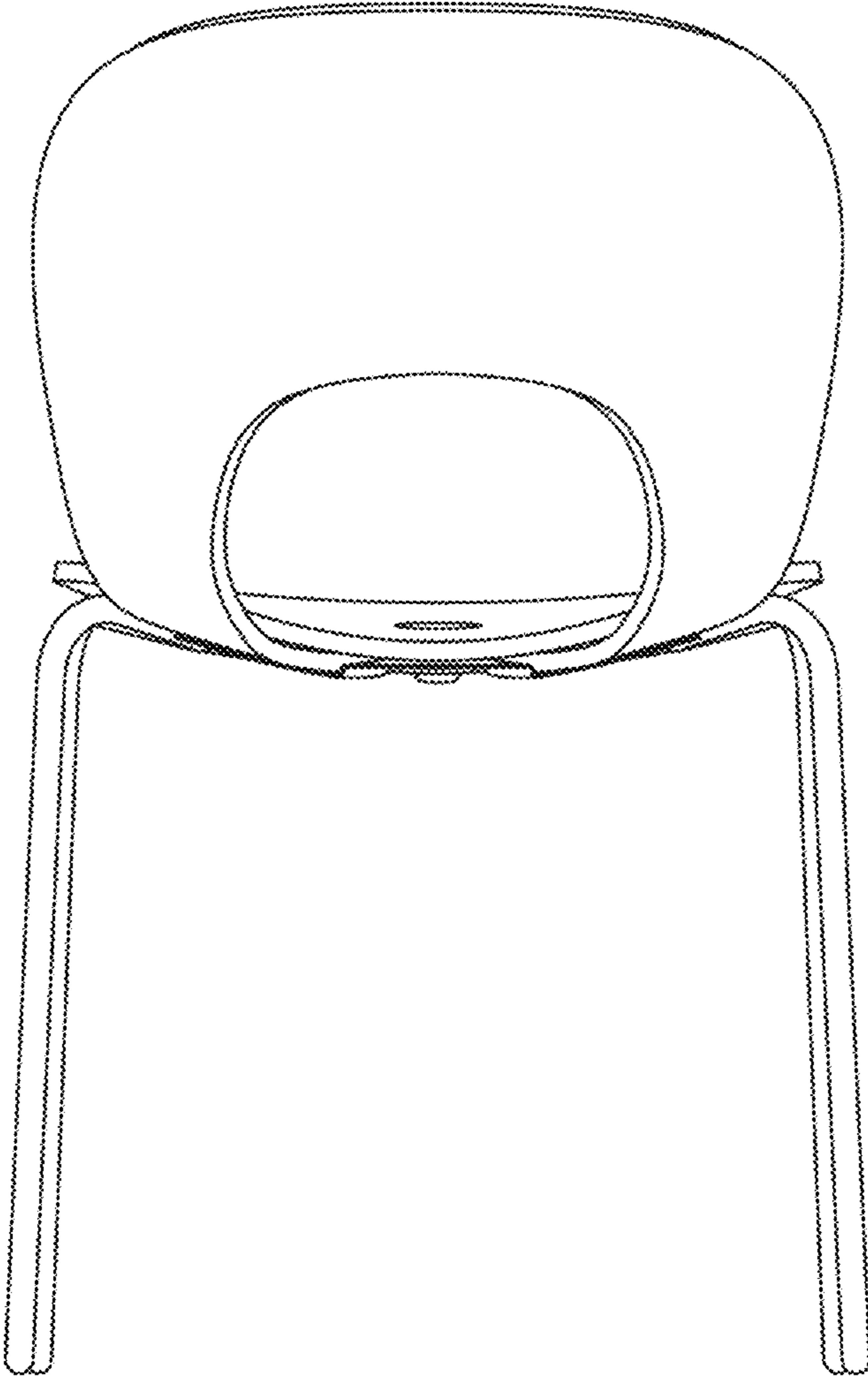


FIG. 3

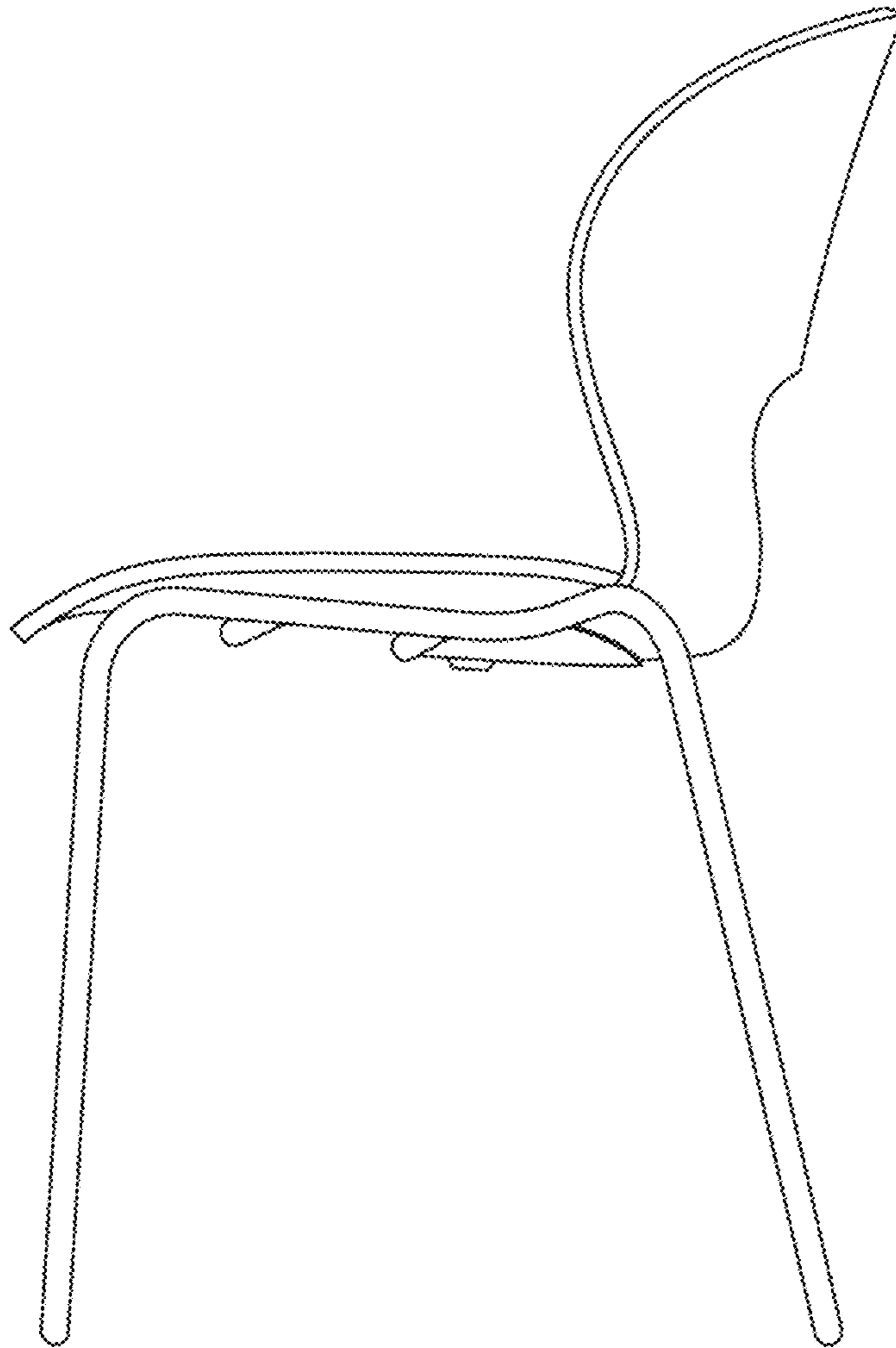


FIG. 4

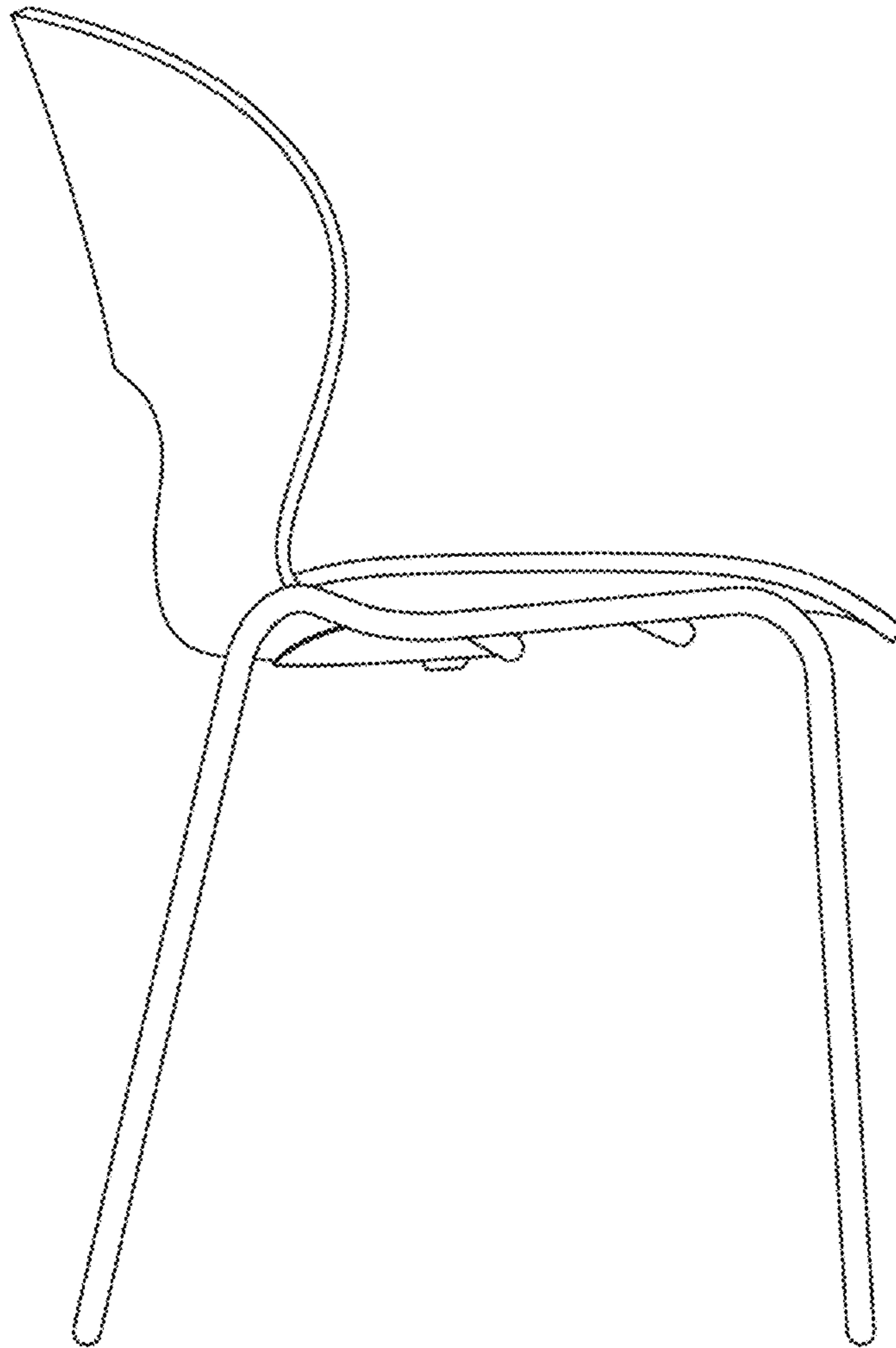


FIG. 5

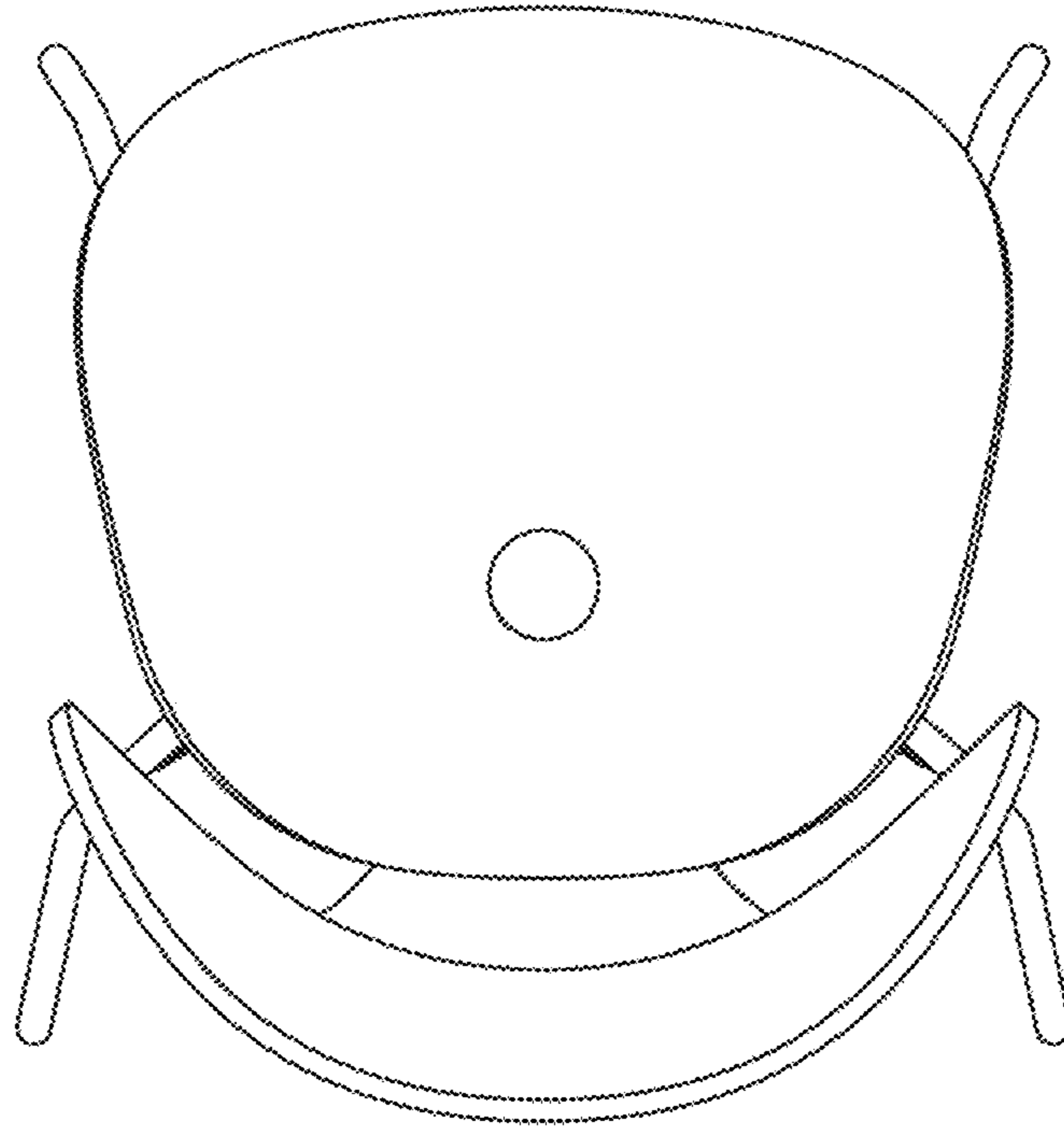


FIG. 6