



US00D988740S

(12) **United States Design Patent** (10) **Patent No.:** **US D988,740 S**  
**Wu** (45) **Date of Patent:** **\*\* Jun. 13, 2023**

(54) **GAMING CHAIR**

(71) Applicant: **Wudi Industrial (Shanghai) Co., Ltd.**,  
Shanghai (CN)

(72) Inventor: **Peng Wu**, Shanghai (CN)

(73) Assignee: **Wudi Industrial (Shanghai) Co., Ltd.**,  
Shanghai (CN)

(\*\*) Term: **15 Years**

(21) Appl. No.: **29/789,802**

(22) Filed: **Oct. 19, 2021**

(51) **LOC (14) Cl.** ..... **06-01**

(52) **U.S. Cl.**  
USPC ..... **D6/366**

(58) **Field of Classification Search**  
USPC ..... D6/356, 362, 364, 366, 367, 374, 375,  
D6/379, 380, 716.1, 716.2  
CPC ..... A47C 1/02; A47C 1/022; A47C 1/024;  
A47C 1/032; A47C 1/03255; A47C 3/18;  
A47C 3/20; A47C 3/025; A47C 3/026;  
A47C 7/18; A47C 7/24; A47C 7/36;  
A47C 7/46; A47C 9/02; A47C 5/04;  
A47C 5/06; A47C 5/08; A47C 5/10

See application file for complete search history.

(56) **References Cited**

**U.S. PATENT DOCUMENTS**

D854,345 S *	7/2019	Rost	.....	D6/356
D869,214 S	12/2019	Chen	.....	
D879,524 S *	3/2020	Huang	.....	D6/366
D897,709 S *	10/2020	Li	.....	D6/366
D910,329 S *	2/2021	Wang	.....	D6/366
D911,055 S *	2/2021	Wang	.....	D6/366
D934,606 S *	11/2021	Liao	.....	D6/716
D937,023 S *	11/2021	Wang	.....	D6/716
D938,177 S *	12/2021	Wang	.....	D6/366
D955,129 S *	6/2022	Shao	.....	D6/366
D957,840 S *	7/2022	Cai	.....	D6/366
D962,688 S *	9/2022	Xiao	.....	D6/716.1
D962,691 S *	9/2022	Xiao	.....	D6/716.1
2018/0015859 A1 *	1/2018	Aida	.....	B60N 2/5883

**OTHER PUBLICATIONS**

Amazon.com. [https://www.amazon.com/Dowinx-Massage-Support-Adjustable-Footrest/dp/B07VYQY3H7/ref=sr\\_1\\_1\\_sspa?crd=34CD44GIHKZE0&keywords=gaming%2Bchair&qid=1673576841&srefix=gamin%2Caps%2C76&sr=8-1-spons&ufe=app\\_do%3Aamzn1.fos.f5122f16-c3e8-4386-bf32-\(Year:2019\)63e904010ad0&spLa=ZW5jcnlwdGVkUXVhbGlmaWVyPUFLWFZCSINEUjU5WSZlbnNyeXB0ZWZlZD1BMDkzNjM2NjE2RUZFOtZzWkM3MkYmZW5jcnlwdGVkQWRJZD1BMDA5MTM1MzRUZjhBTiJLWjBNUSZ3aWRnZXROYW1IPXNwX2F0ZiZhY3Rpb249Y2xpY2tSZWRpcmVjdCZkb05vdExvZ0NsaWNrPXRydWU&th=1](https://www.amazon.com/Dowinx-Massage-Support-Adjustable-Footrest/dp/B07VYQY3H7/ref=sr_1_1_sspa?crd=34CD44GIHKZE0&keywords=gaming%2Bchair&qid=1673576841&srefix=gamin%2Caps%2C76&sr=8-1-spons&ufe=app_do%3Aamzn1.fos.f5122f16-c3e8-4386-bf32-(Year:2019)63e904010ad0&spLa=ZW5jcnlwdGVkUXVhbGlmaWVyPUFLWFZCSINEUjU5WSZlbnNyeXB0ZWZlZD1BMDkzNjM2NjE2RUZFOtZzWkM3MkYmZW5jcnlwdGVkQWRJZD1BMDA5MTM1MzRUZjhBTiJLWjBNUSZ3aWRnZXROYW1IPXNwX2F0ZiZhY3Rpb249Y2xpY2tSZWRpcmVjdCZkb05vdExvZ0NsaWNrPXRydWU&th=1). "Dowinx Gaming Chair". Aug. 2019 (Year: 2019).\*

Amazon.com. [https://www.amazon.com/noblechairs-Epic-Gaming-Chair-Leather/dp/B01EMA3TX8/ref=sxin\\_14\\_ac\\_d\\_rm?ac\\_md=7-4-bm9ibGVjaGFpcnMgZXBPYyByZWFlGx1YXRoZXI%3D-ac\\_d\\_rm\\_rm\\_rm&content-id=amzn1.sym.b09913c7-88ee-4b06-b977-3fd4ebd29a25%3Aamzn1.sym.b09913c7-88ee-4b06-b977-3fd4ebd29a25&crd=\(Year:2016\)34CD44GIHKZE0&cv\\_ct\\_cx=gaming%2Bchair&keywords=gaming%2Bchair&pd\\_rd\\_i=B01EMA3TX8&pd\\_rd\\_r=73da4331-4f68-483e-8a39-c565489fd728&pd\\_rd\\_w=xW0IY&pd\\_rd\\_wg=PyUto&pf\\_rd\\_p=b09913c7-88ee-4b06-b977-3fd4ebd29a25&pf\\_rd\\_r=BC4ZWSYDQ26KYD6QN4AW&qid=1673576841&\(Year:2016\)srefix=gamin%2Caps%2C76&sr=1-5-7d9bfb42-6e38-4445-b604-42cab39e191b&ufe=app\\_do%3Aamzn1.fos.2b70bf2b-6730-4ccf-ab97-eb60747b8daf&th=1](https://www.amazon.com/noblechairs-Epic-Gaming-Chair-Leather/dp/B01EMA3TX8/ref=sxin_14_ac_d_rm?ac_md=7-4-bm9ibGVjaGFpcnMgZXBPYyByZWFlGx1YXRoZXI%3D-ac_d_rm_rm_rm&content-id=amzn1.sym.b09913c7-88ee-4b06-b977-3fd4ebd29a25%3Aamzn1.sym.b09913c7-88ee-4b06-b977-3fd4ebd29a25&crd=(Year:2016)34CD44GIHKZE0&cv_ct_cx=gaming%2Bchair&keywords=gaming%2Bchair&pd_rd_i=B01EMA3TX8&pd_rd_r=73da4331-4f68-483e-8a39-c565489fd728&pd_rd_w=xW0IY&pd_rd_wg=PyUto&pf_rd_p=b09913c7-88ee-4b06-b977-3fd4ebd29a25&pf_rd_r=BC4ZWSYDQ26KYD6QN4AW&qid=1673576841&(Year:2016)srefix=gamin%2Caps%2C76&sr=1-5-7d9bfb42-6e38-4445-b604-42cab39e191b&ufe=app_do%3Aamzn1.fos.2b70bf2b-6730-4ccf-ab97-eb60747b8daf&th=1). "noblechairs Epic Reclining Gaming Chair". Nov. 2016 (Year: 2016).\*

\* cited by examiner

*Primary Examiner* — R. Johnson

(74) *Attorney, Agent, or Firm* — Bayramoglu Law Offices LLC

(57) **CLAIM**

The ornamental design for a gaming chair, as shown and described.

**DESCRIPTION**

FIG. 1 is a front elevational view of a gaming chair showing our new design;

FIG. 2 is a right side elevational view of thereof;

FIG. 3 is a rear elevational view thereof;

FIG. 4 is a left side elevational view thereof;

(Continued)

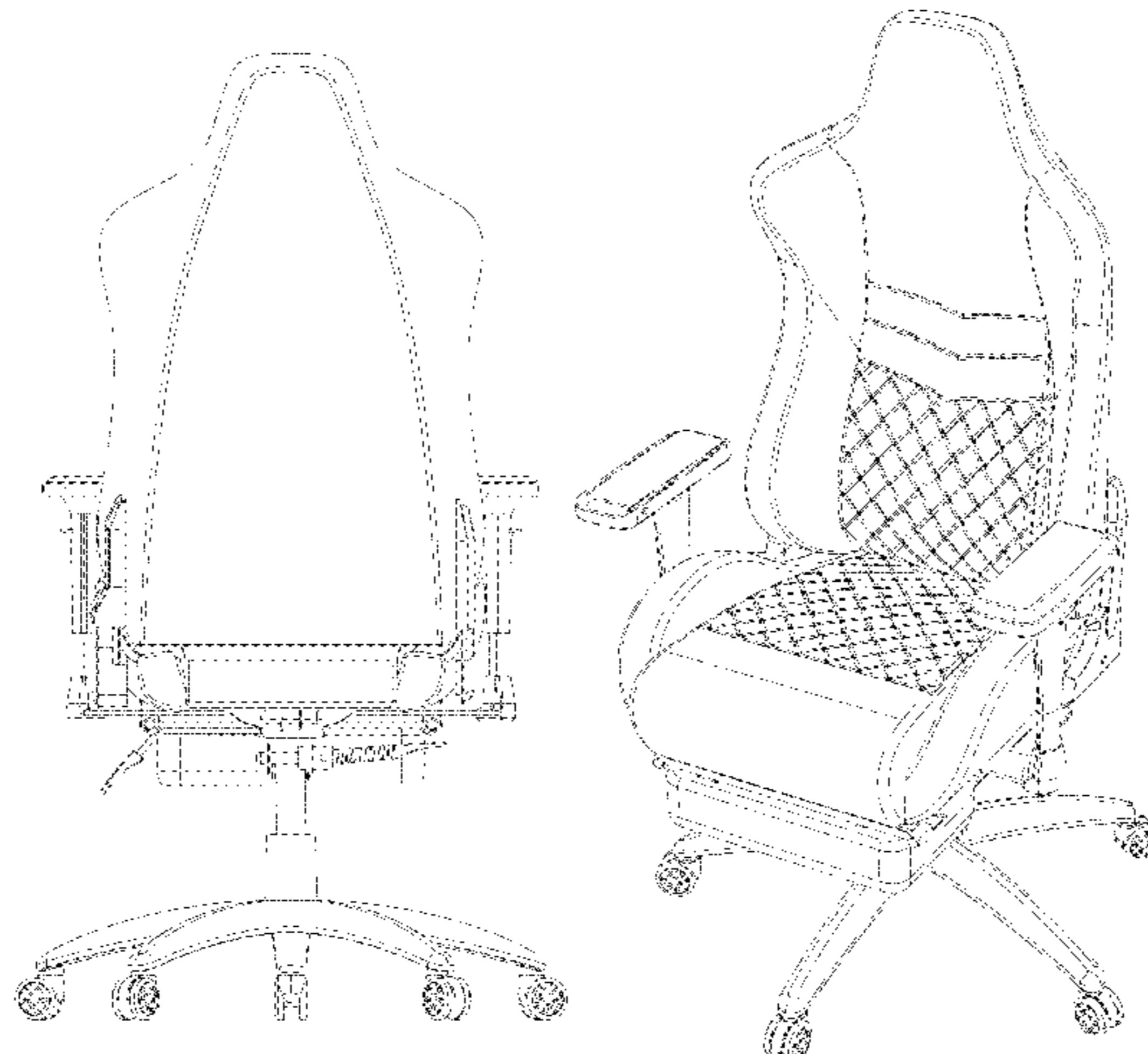


FIG. 5 is a bottom plan view thereof;  
FIG. 6 is a perspective right view thereof;  
FIG. 7 is a perspective left view thereof; and,  
FIG. 8 is a top view thereof.

**1 Claim, 8 Drawing Sheets**

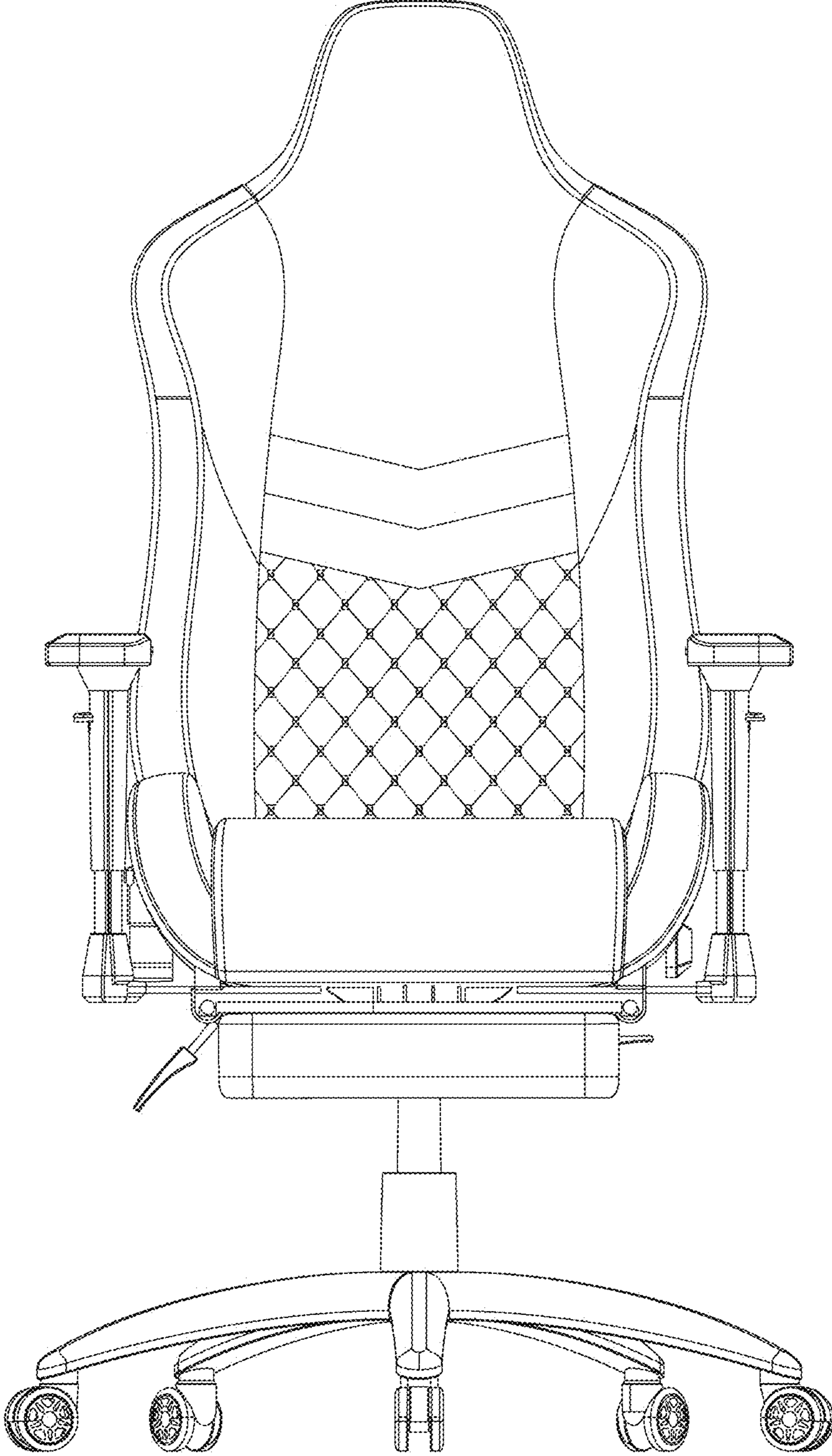


FIG. 1

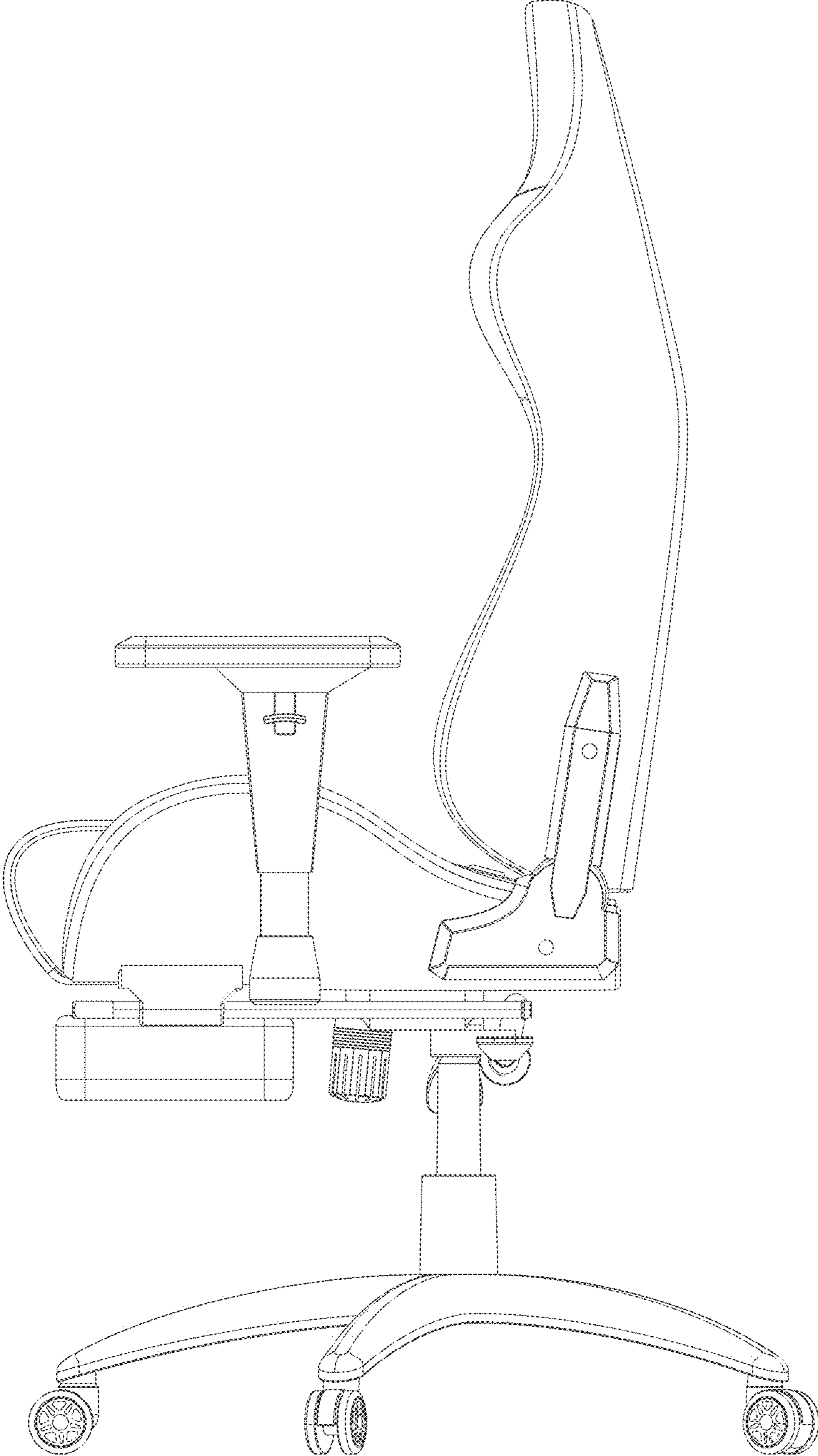


FIG. 2

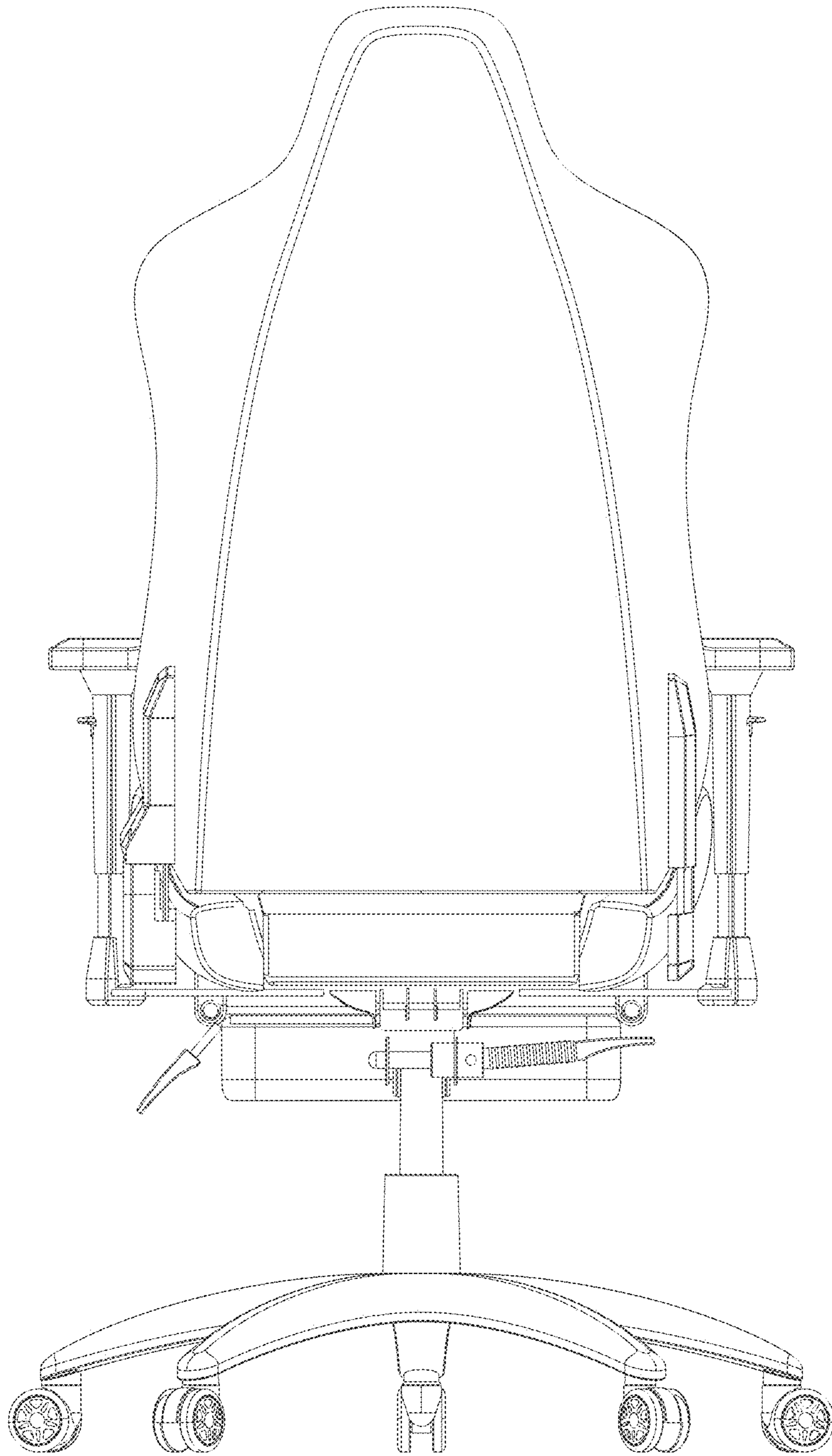


FIG. 3

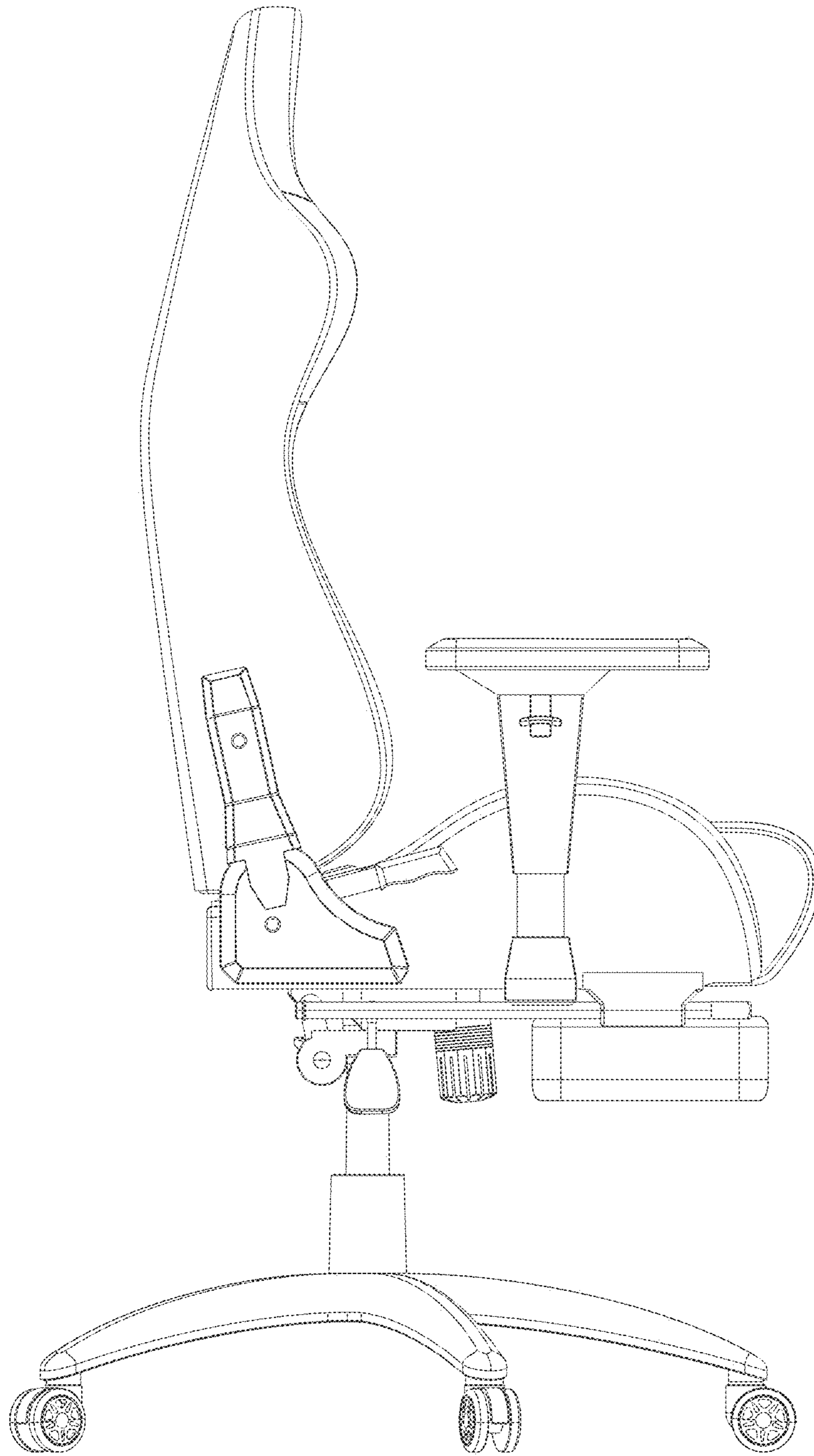


FIG. 4

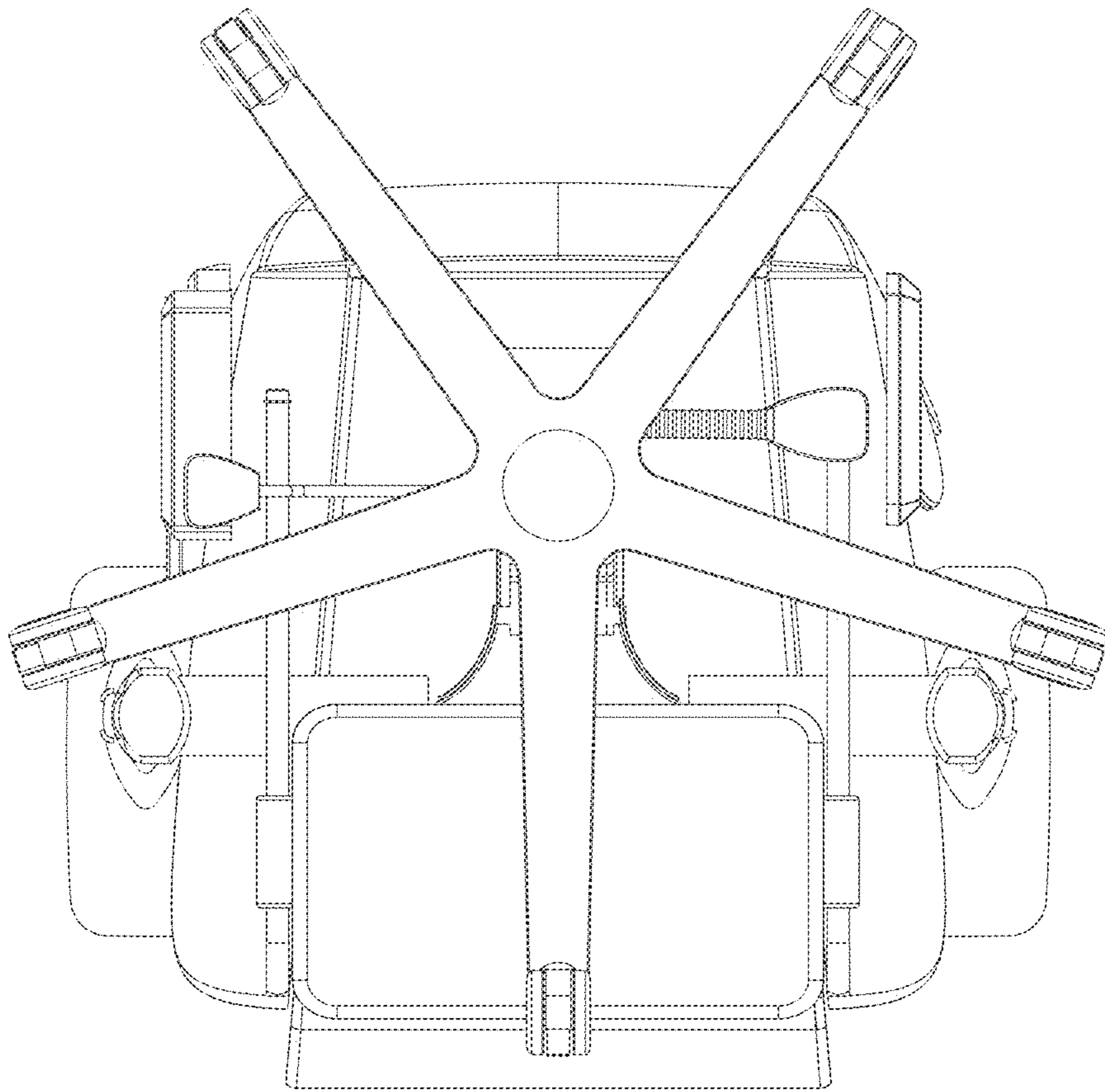


FIG. 5



FIG. 6



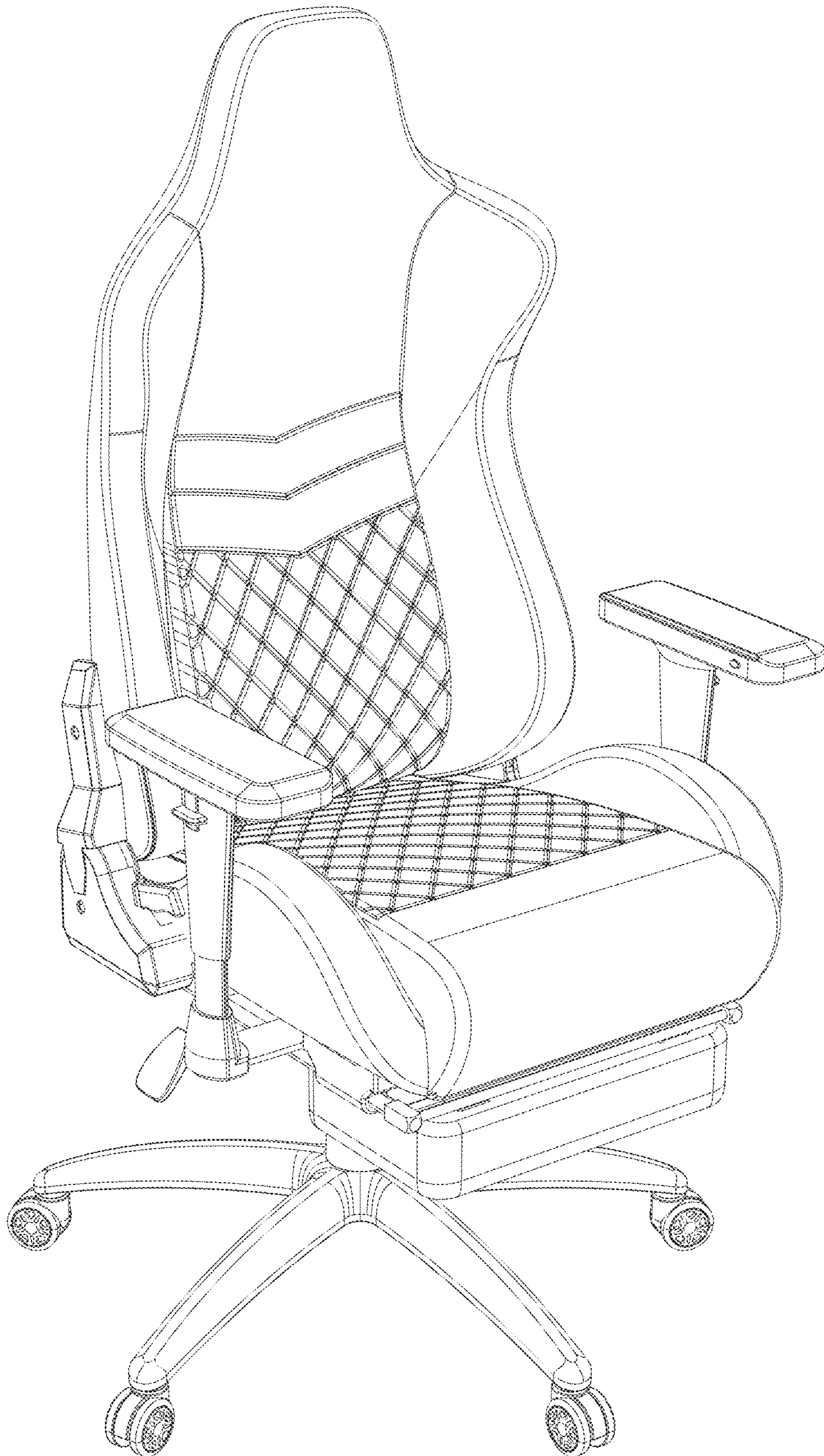


FIG. 7

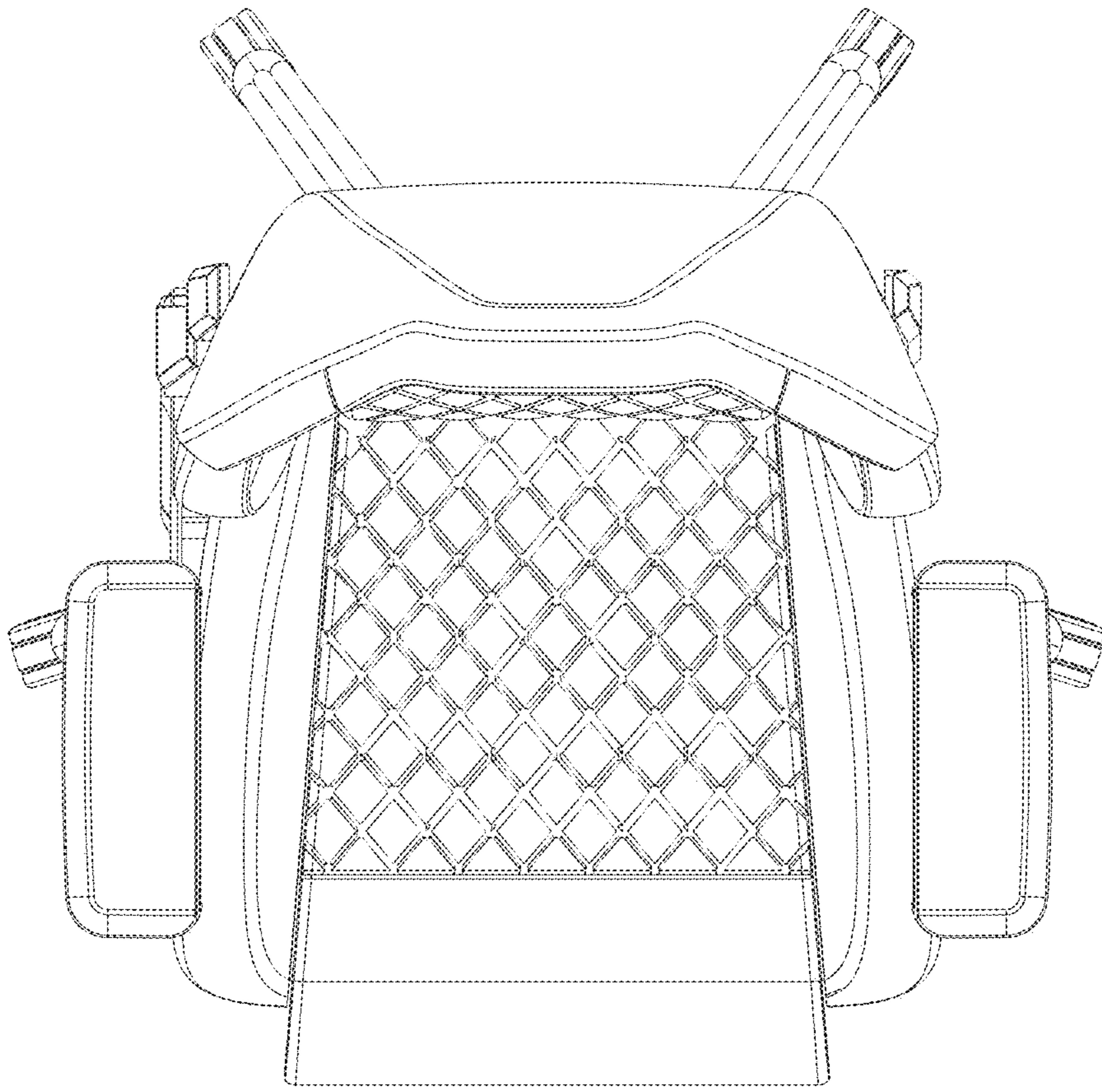


FIG. 8