



US00D988738S

(12) **United States Design Patent** (10) **Patent No.:** **US D988,738 S**  
**Citterio** (45) **Date of Patent:** **\*\* Jun. 13, 2023**

(54) **CHAIR**  
(71) Applicant: **Vitra AG**, Birsfelden (CH)  
(72) Inventor: **Antonio Citterio**, Milan (IT)  
(73) Assignee: **Vitra AG**, Birsfelden (CH)  
(\*\*) Term: **15 Years**

D925,244 S \* 7/2021 Citterio ..... D6/366  
D937,592 S \* 12/2021 Ni ..... D6/366  
D971,623 S \* 12/2022 Yang ..... D6/366

**FOREIGN PATENT DOCUMENTS**

CN 303261349 \* 7/2015  
CN 305106615 \* 4/2019  
JP D1703574 \* 1/2022  
WO WOD210970-001 \* 4/2021

(21) Appl. No.: **29/779,161**  
(22) Filed: **Apr. 16, 2021**

**OTHER PUBLICATIONS**

Vitra ID Cloud, posted unknown [online], [retrieved Jan. 18, 2023]. Retrieved from internet, <https://www.vitra.com/en-us/office/product/details/id-cloud> (Year: 2021).\*

(30) **Foreign Application Priority Data**

Oct. 16, 2020 (WO) ..... WIPO98649

(Continued)

(51) **LOC (14) Cl.** ..... **06-01**  
(52) **U.S. Cl.**  
USPC ..... **D6/366**  
(58) **Field of Classification Search**  
USPC ..... D6/359, 365, 366  
CPC ..... A47C 1/03255; A47C 1/032; A47C 3/026;  
A47C 7/004  
See application file for complete search history.

*Primary Examiner* — Cynthia Ramirez  
*Assistant Examiner* — Jeremy S. Swartz  
(74) *Attorney, Agent, or Firm* — Dentons US LLP

(57) **CLAIM**

An ornamental design of a chair, as shown and described.

**DESCRIPTION**

FIG. 1 is a perspective view of our new design for a chair;  
FIG. 2 is a front view thereof;  
FIG. 3 is a right view thereof;  
FIG. 4 is a back view thereof;  
FIG. 5 is a left view thereof;  
FIG. 6 is a top view thereof; and,  
FIG. 7 is a bottom view thereof.

Various figures are illustrated with various grayscale levels of surface shading to show various contrasting appearances of different portions of this design. No particular color or design pattern is claimed.

(56) **References Cited**

**U.S. PATENT DOCUMENTS**

D507,422 S \* 7/2005 Seiler ..... D6/366  
D540,049 S \* 4/2007 Yang ..... D6/366  
D562,574 S \* 2/2008 Dallmann ..... D6/334  
D799,843 S \* 10/2017 Chen ..... D6/366  
D801,067 S \* 10/2017 Barber ..... D6/366  
D851,951 S \* 6/2019 Wu ..... D6/366  
D873,044 S \* 1/2020 Citterio ..... D6/366  
D883,689 S \* 5/2020 Dassen ..... D6/366  
D884,376 S \* 5/2020 Pensi ..... D6/366  
D912,419 S \* 3/2021 Chen ..... D6/366

**1 Claim, 7 Drawing Sheets**



(56)

**References Cited**

OTHER PUBLICATIONS

Tuofu Office Chair, posted Jul. 20, 2020 [online], [retrieved Jan. 18, 2023]. Retrieved from internet, <https://www.amazon.com/TUOFU-Adjustable-Executive-High-Back-Computer/dp/B0B6VT845X?th=1> (Year: 2020).\*

Steelcase Gesture Office Chair, posted Jan. 1, 2014 [online], [retrieved Jan. 18, 2023]. Retrieved from internet, <https://www.amazon.com/Steelcase-Gesture-Chair-Licorice-442A40/dp/B016OIF2U4?th=1> (Year: 2014).\*

Haworth Fern High Performance Office Chair, posted May 2, 2022 [online], [retrieved Jan. 18, 2023]. Retrieved from internet, <https://www.amazon.com/Haworth-Performance-Office-Ergonomic-Innovations/dp/B09Z9XLX8L> (Year: 2022).\*

\* cited by examiner



FIG. 1



FIG. 2



FIG. 3



FIG. 4



FIG. 5



FIG. 6



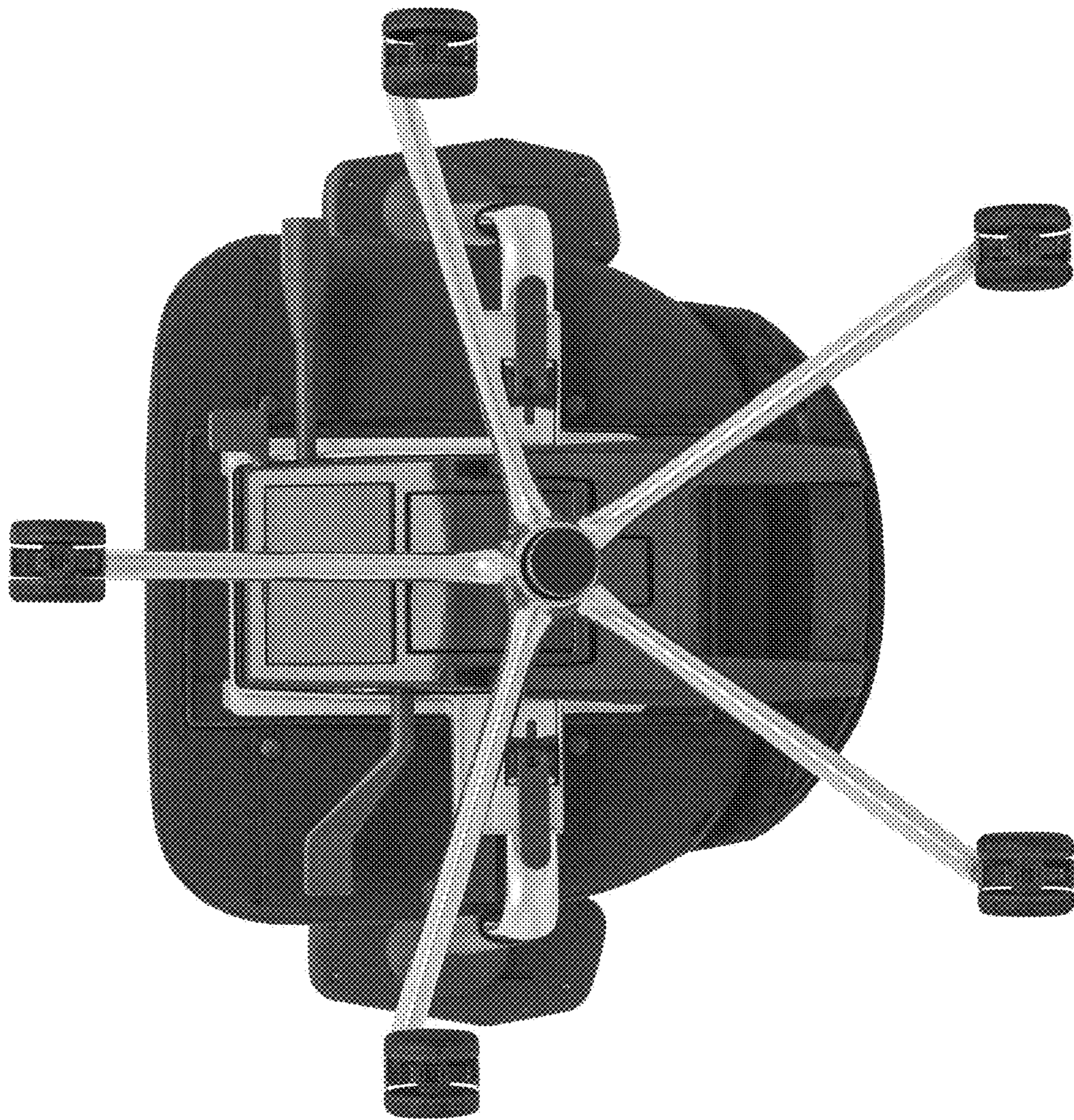


FIG. 7