



US00D988737S

(12) **United States Design Patent**
Green

(10) **Patent No.:** **US D988,737 S**

(45) **Date of Patent:** **** Jun. 13, 2023**

(54) **STOOL**

(71) Applicant: **Dylan Green**, Los Angeles, CA (US)

(72) Inventor: **Dylan Green**, Los Angeles, CA (US)

(**) Term: **15 Years**

(21) Appl. No.: **29/783,936**

(22) Filed: **May 17, 2021**

(51) **LOC (14) Cl.** **06-03**

(52) **U.S. Cl.**
USPC **D6/691**; D30/133

(58) **Field of Classification Search**
USPC D6/334, 349, 335, 336, 655, 657, 675,
D6/367, 685, 691.4, 372, 656.1, 656.16,
D6/688.19, 691.1, 691.5, 691.7, 699.5;
D14/207; D30/133
CPC A47C 13/00; A47C 17/132; A47C 16/02
See application file for complete search history.

(56) **References Cited**

U.S. PATENT DOCUMENTS

D221,072	S	*	7/1971	Arenhold	D6/349
D303,190	S	*	9/1989	Suttles	D6/699.5
D328,677	S	*	8/1992	White	D6/688.19
6,116,165	A	*	9/2000	Kadesky	A47B 23/002 108/43
D456,643	S	*	5/2002	Harner	D6/691.5
D505,523	S	*	5/2005	Rahman	D30/133
D575,558	S	*	8/2008	Garzon	D6/691.1
D647,667	S	*	10/2011	Siklosi	D30/131
D682,485	S	*	5/2013	Wygle	D30/129
D693,610	S	*	11/2013	Denby	D6/675
D710,550	S	*	8/2014	Elliott	D30/133
D723,814	S	*	3/2015	Hagstrom	D6/335

D745,286	S	*	12/2015	Thibault	D6/349
D777,702	S	*	1/2017	Maina	D14/207
D781,086	S	*	3/2017	Velez	D6/656
D926,504	S	*	8/2021	Van Faasen	D6/691

OTHER PUBLICATIONS

Untitled—Dogsfurniture, available in instagram.com, published Feb. 3, 2021 Year 2021 [online]. Retrieved on Dec. 8, 2022 from URL: <https://www.instagram.com/p/CK2QxQpHu6-/?hl=en> (Year: 2021).*

* cited by examiner

Primary Examiner — Vy N Koenig
Assistant Examiner — Michelle M Reeves
(74) *Attorney, Agent, or Firm* — Scarinci Hollenbeck LLC; Libby Babu Varghese, Esq.

(57) **CLAIM**

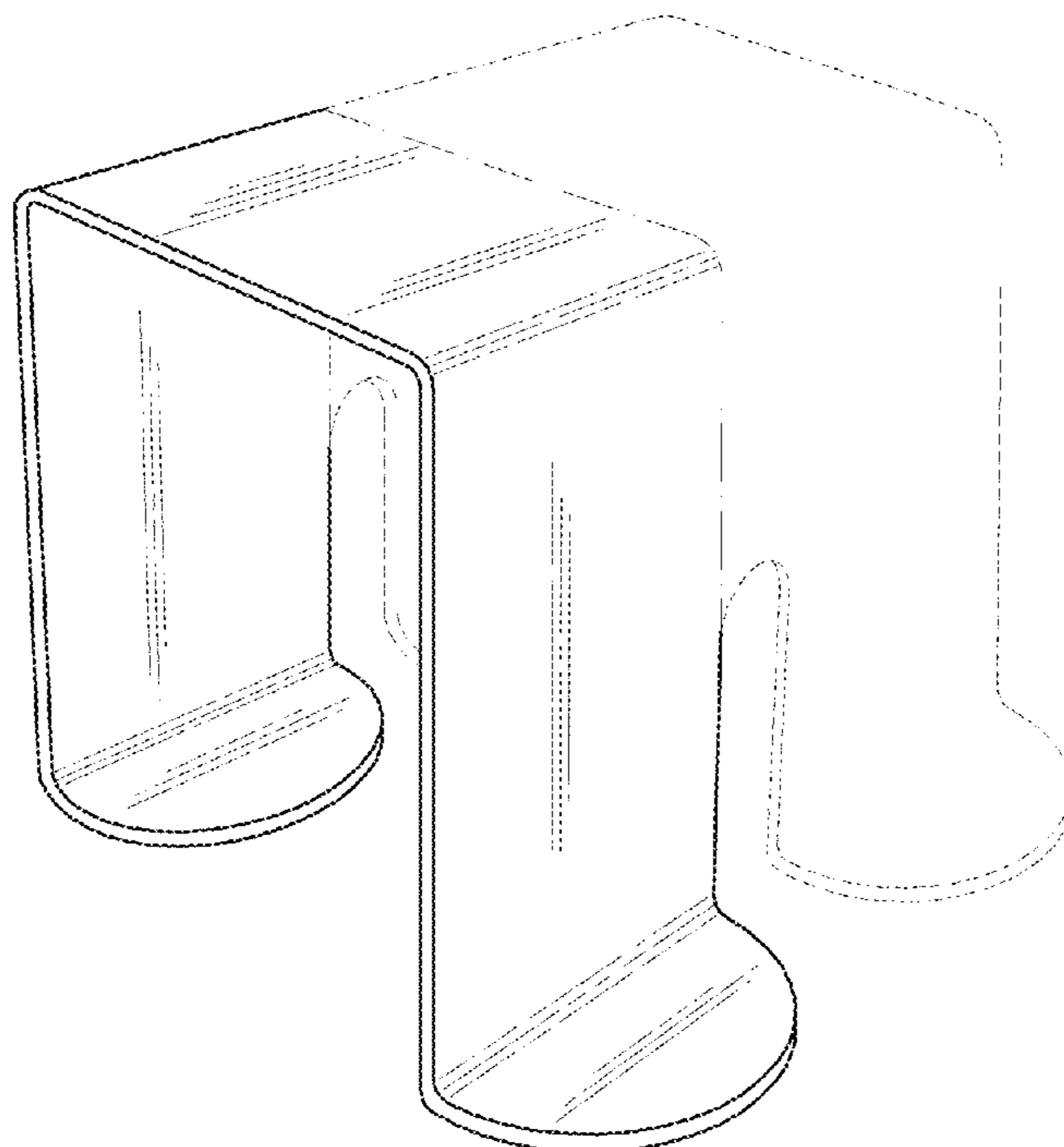
The ornamental design for a stool, as shown and described.

DESCRIPTION

FIG. 1 is a perspective view of a stool, showing my new design;
FIG. 2 is a front view thereof;
FIG. 3 is a rear view thereof;
FIG. 4 is a left- side view thereof;
FIG. 5 is a right-side view thereof;
FIG. 6 is a top view thereof; and,
FIG. 7 is a bottom view thereof.

The equally dashed broken lines in FIGS. 1-3 and 5-7 depict environmental subject matter only and form no part of the claimed design. The dot dash broken line in FIGS. 1-3 and 6-7 is a boundary line representing the bounds of the claimed portion of the design.

1 Claim, 7 Drawing Sheets



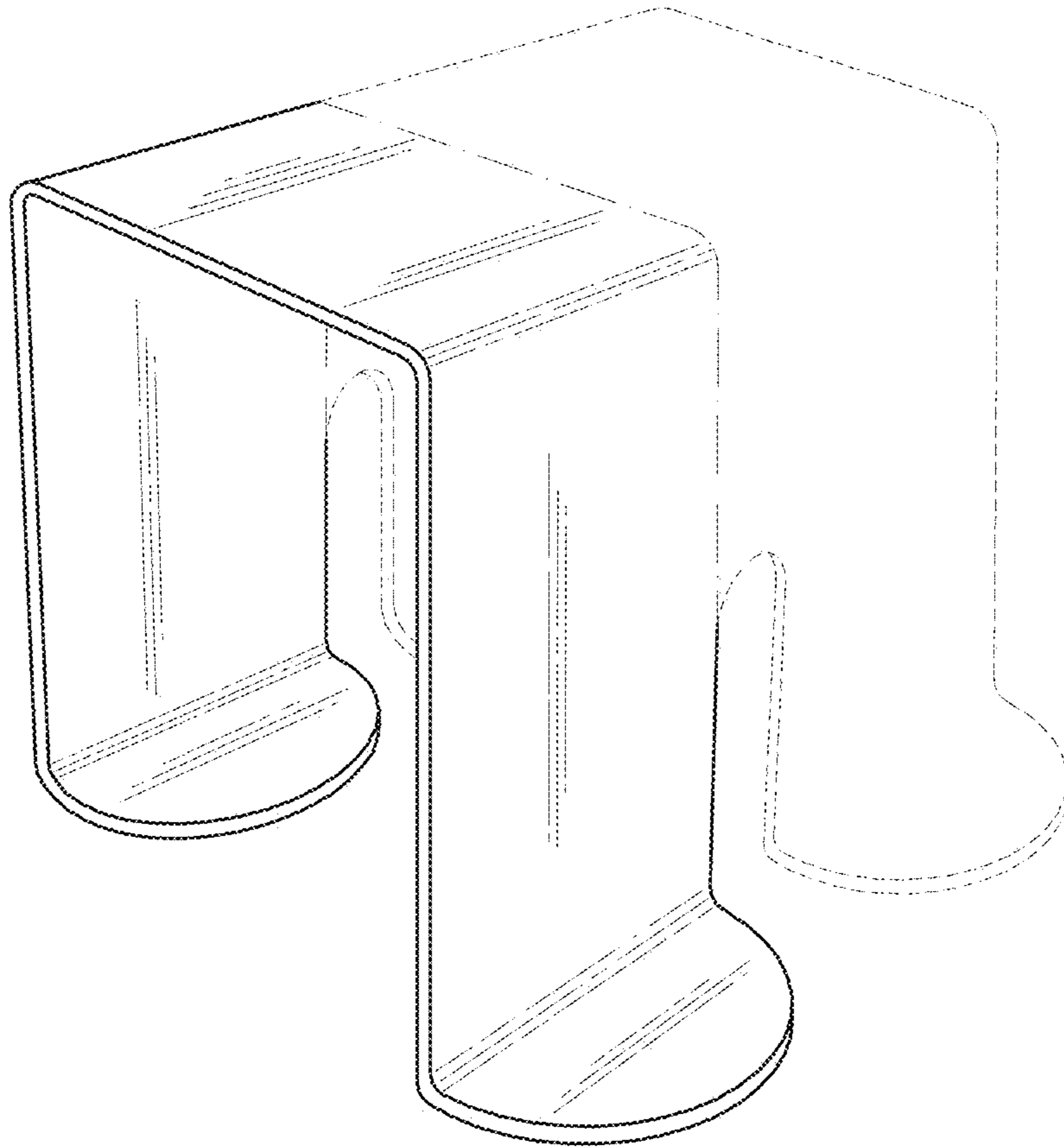


FIG. 1

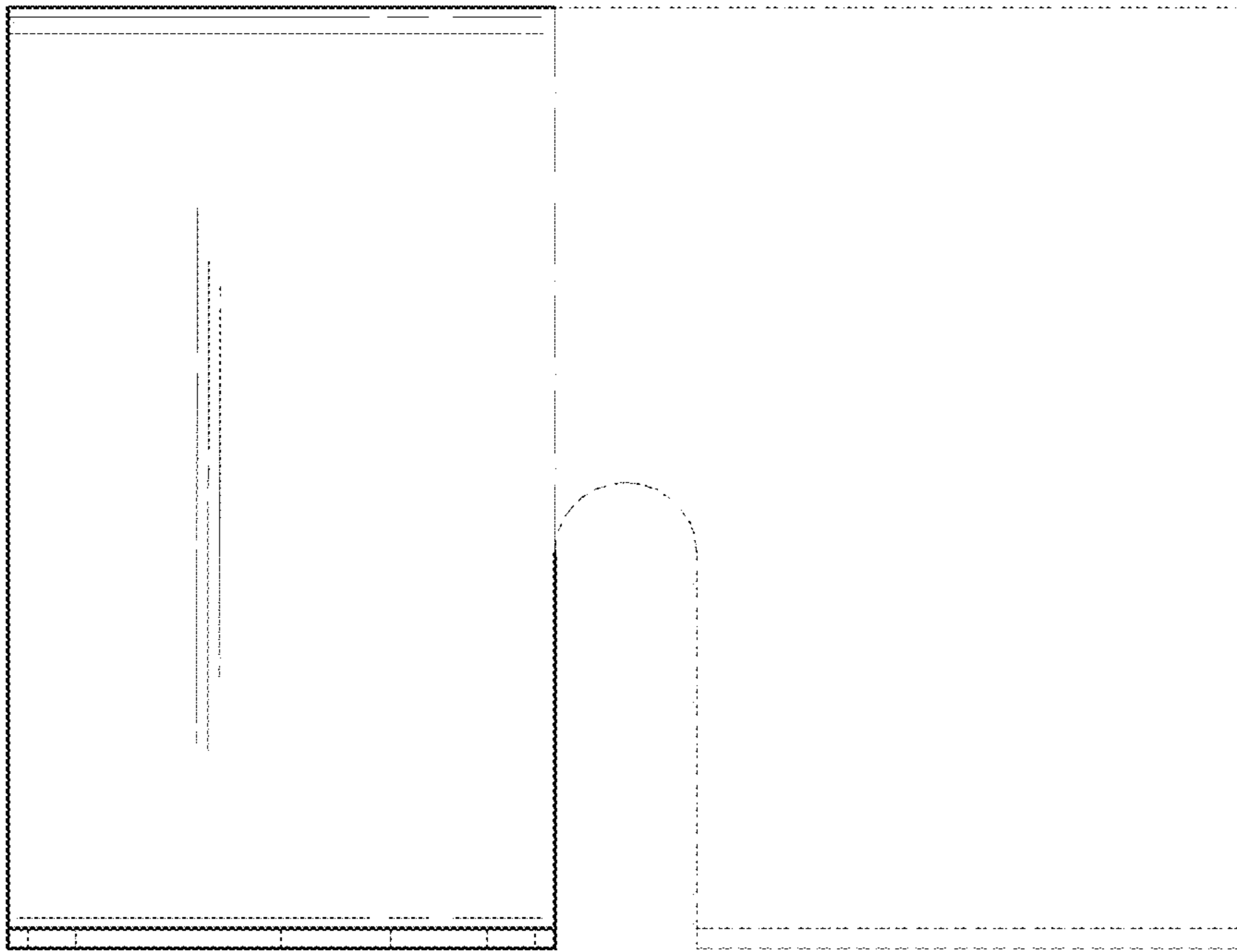


FIG. 2

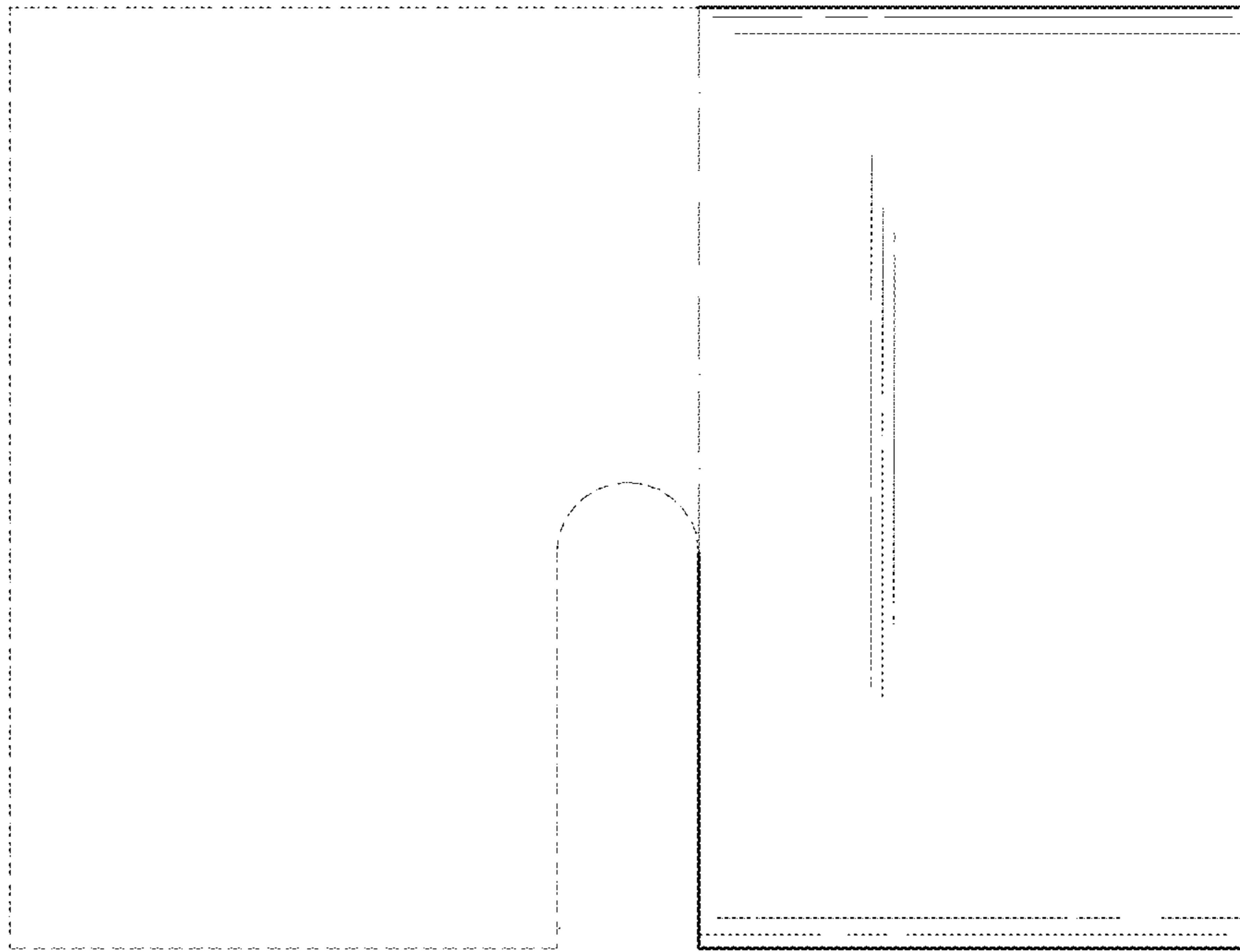


FIG. 3

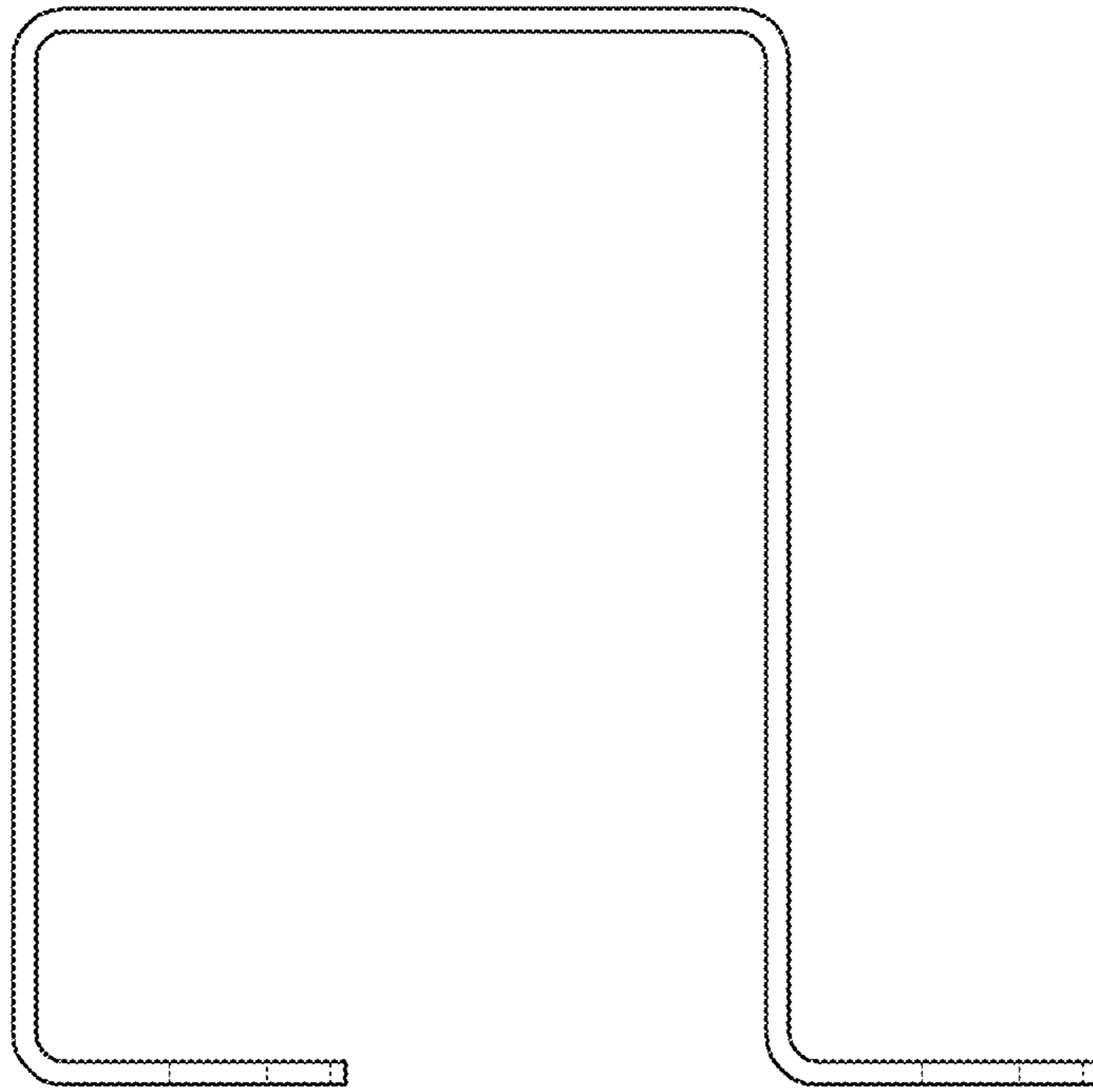


FIG. 4

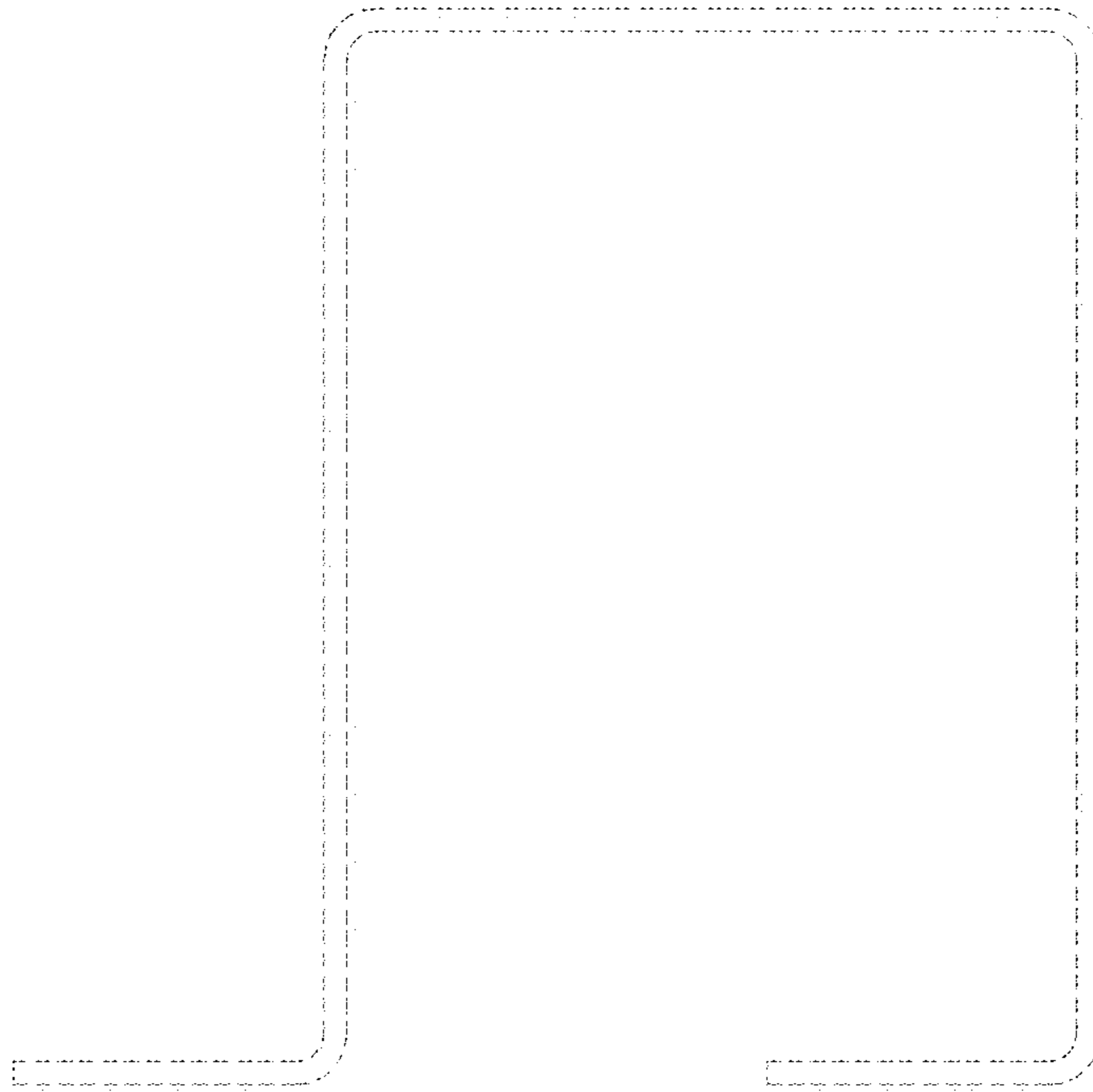


FIG. 5

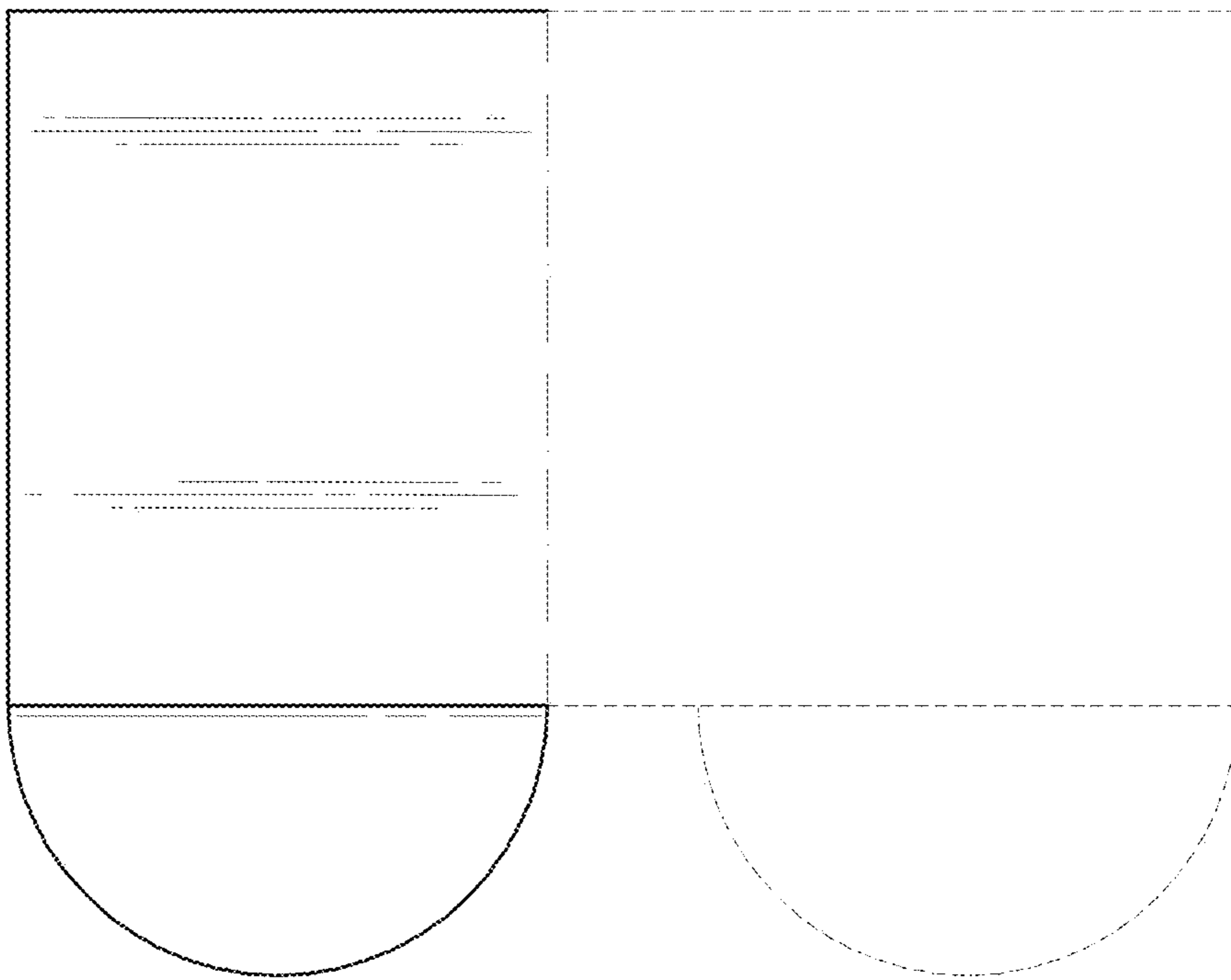


FIG. 6

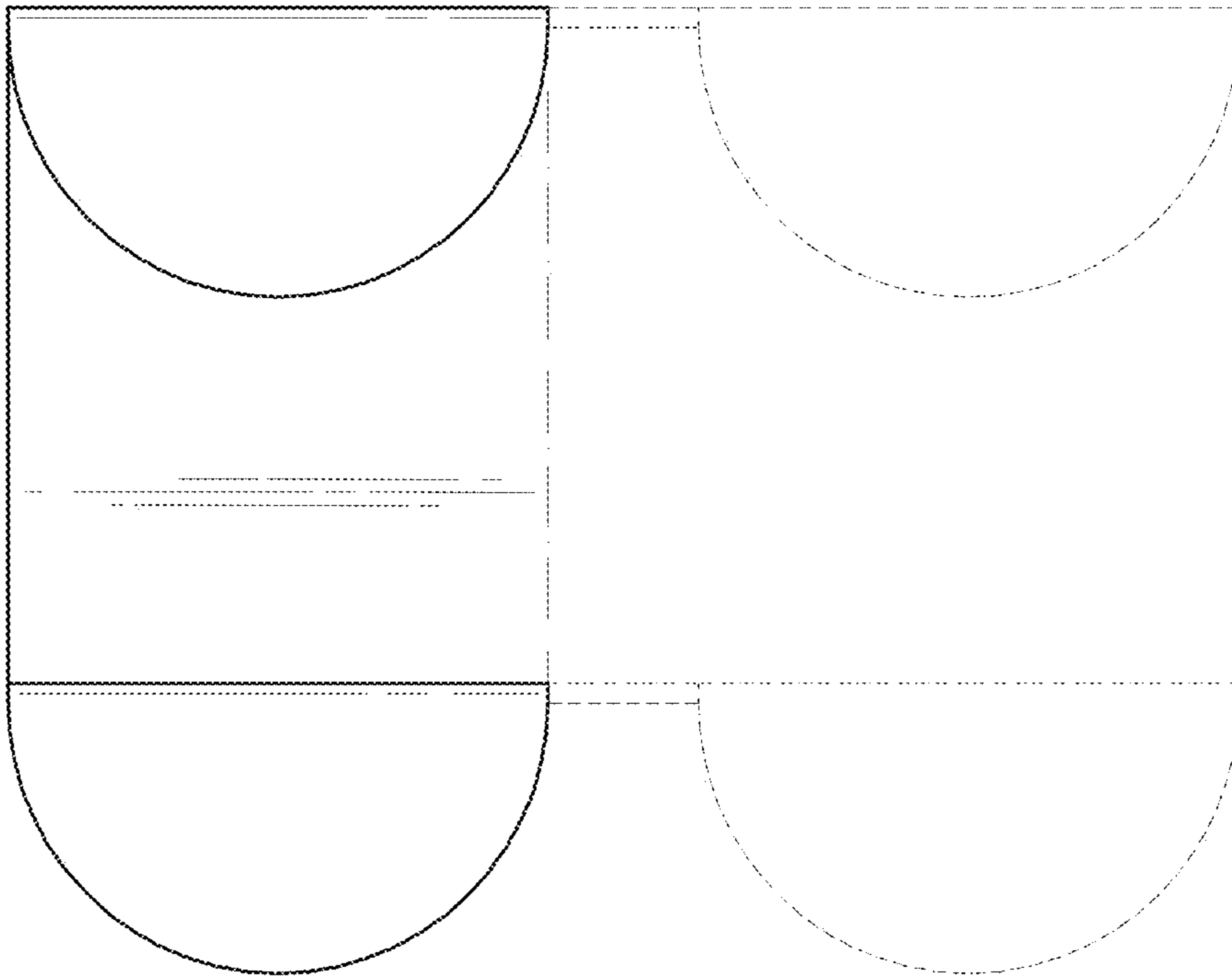


FIG. 7