



US00D988735S

(12) **United States Design Patent** (10) **Patent No.:** **US D988,735 S**
Reicks et al. (45) **Date of Patent:** **** Jun. 13, 2023**

(54) **STACKING STOOL**
(71) Applicant: **School Specialty, LLC**, Greenville, WI (US)
(72) Inventors: **Amanda Reicks**, Green Bay, WI (US); **Martin Hewitt**, Chicago, IL (US)
(73) Assignee: **School Specialty, LLC**, Greenville, WI (US)

(**) Term: **15 Years**
(21) Appl. No.: **29/757,226**
(22) Filed: **Nov. 4, 2020**
(51) **LOC (14) Cl.** **06-01**
(52) **U.S. Cl.**
USPC **D6/349**
(58) **Field of Classification Search**
USPC D6/334, 336, 349, 351, 353, 355, 352, D6/344, 380, 667, 692.3, 716.1; D7/608; D8/374; D21/671
CPC A47C 9/025; A47C 9/002; A47C 3/04
See application file for complete search history.

(56) **References Cited**
U.S. PATENT DOCUMENTS
2,552,693 A * 5/1951 Smith A47C 3/16 297/461
3,719,272 A * 3/1973 Bodine B65H 75/22 220/4.27
D277,719 S * 2/1985 Spaneas D6/596
D305,850 S * 2/1990 Peterson D6/349
5,037,084 A * 8/1991 Flor A63B 23/0458 482/52
D355,077 S * 2/1995 Tegner D30/118
D360,664 S * 7/1995 Stone D6/349
D385,317 S * 10/1997 Henriksen D21/671
D395,143 S * 6/1998 McMahon D30/118
D449,455 S * 10/2001 Rheault D6/349
6,478,374 B1 * 11/2002 Sinoway A47C 3/04 297/239

D485,746 S * 1/2004 Abraham D8/374
D553,414 S * 10/2007 Boutin D6/601
D737,385 S * 8/2015 Woniger D21/671
D809,309 S * 2/2018 Theesfeld D6/349
D809,310 S * 2/2018 Mathur D6/352
D837,543 S 1/2019 Risdall et al.
10,258,160 B2 4/2019 Risdall et al.
D865,388 S * 11/2019 Pedersen D6/692.3
(Continued)

OTHER PUBLICATIONS

Classroom Select Zoom Stack Stool, available in schoolspecialty.com, published Spring 2021 Catalog Year 2021 [print and online], Retrieved on Apr. 26, 2022 from URL: www.qgdigitalpublishing.com/publication/index.php?m=63494&i=704561&p=12&ver=html5 (Year: 2021).*

(Continued)

Primary Examiner — Vy N Koenig
Assistant Examiner — Michelle M Reeves
(74) *Attorney, Agent, or Firm* — Nicholas A. Kees; Godfrey & Kahn, S.C.

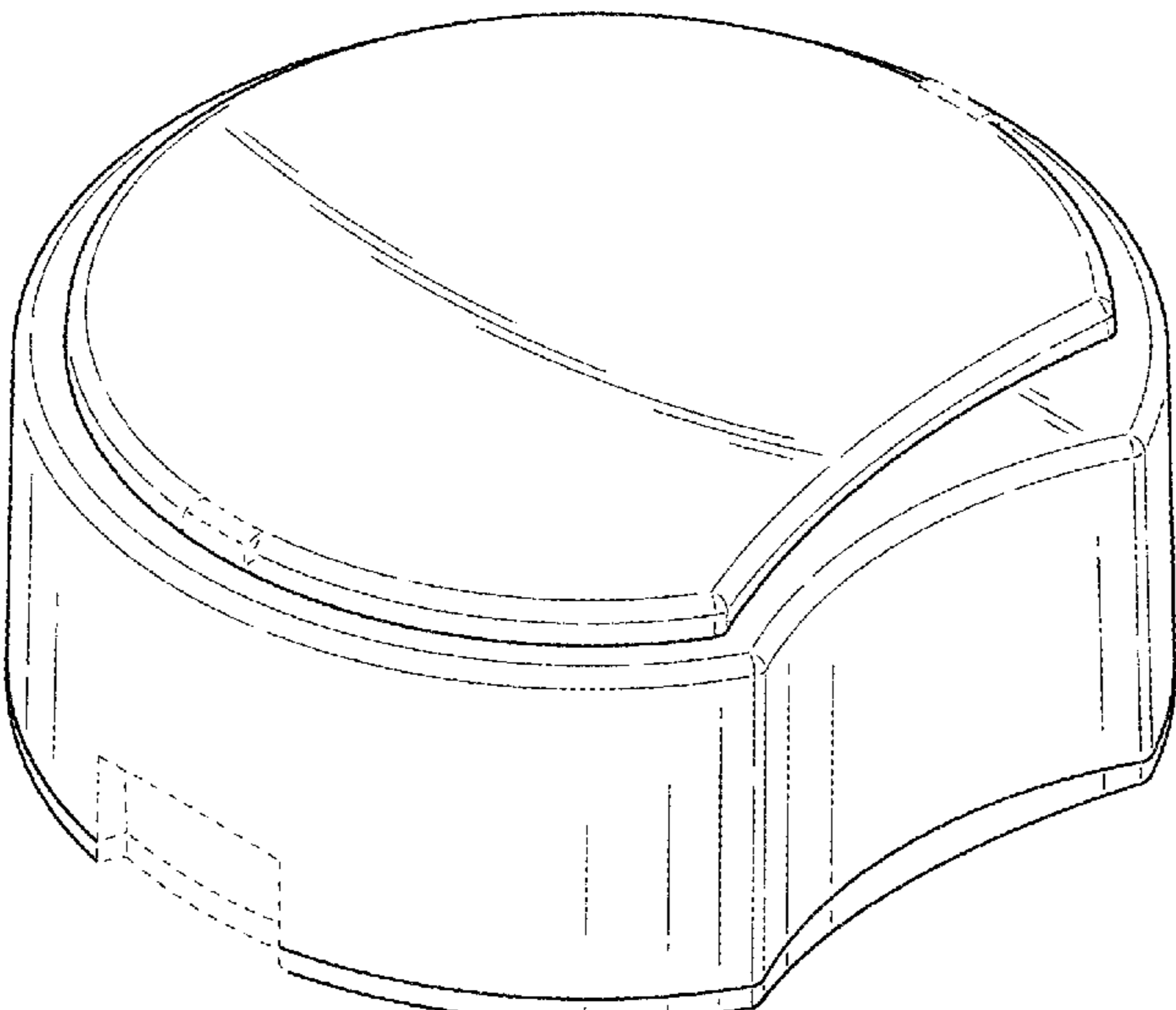
(57) **CLAIM**

The ornamental design for a stacking stool, as shown and described.

DESCRIPTION

FIG. 1 is an isometric view of a stacking stool according to our new design, generally from an upper angle;
FIG. 2 is front view thereof;
FIG. 3 is a rear view thereof;
FIG. 4 is a left side view thereof;
FIG. 5 is a right side view thereof;
FIG. 6 is a top plan view thereof; and,
FIG. 7 is a bottom plan view thereof.
The broken lines in the drawings depict portions of the stool that form no part of the claimed design.

1 Claim, 5 Drawing Sheets



(56)

References Cited

U.S. PATENT DOCUMENTS

D876,113 S * 2/2020 Chhetri D6/601
10,568,431 B2 2/2020 Risdall et al.
2013/0320727 A1* 12/2013 Martin A47C 3/30
297/258.1
2020/0022499 A1* 1/2020 Davidson A47C 7/002
2022/0053937 A1* 2/2022 Lee A47C 7/62

OTHER PUBLICATIONS

<https://www.moorecoinc.com/products/dot-5-pack-soft-seating>; captured Apr. 19, 2021.

* cited by examiner

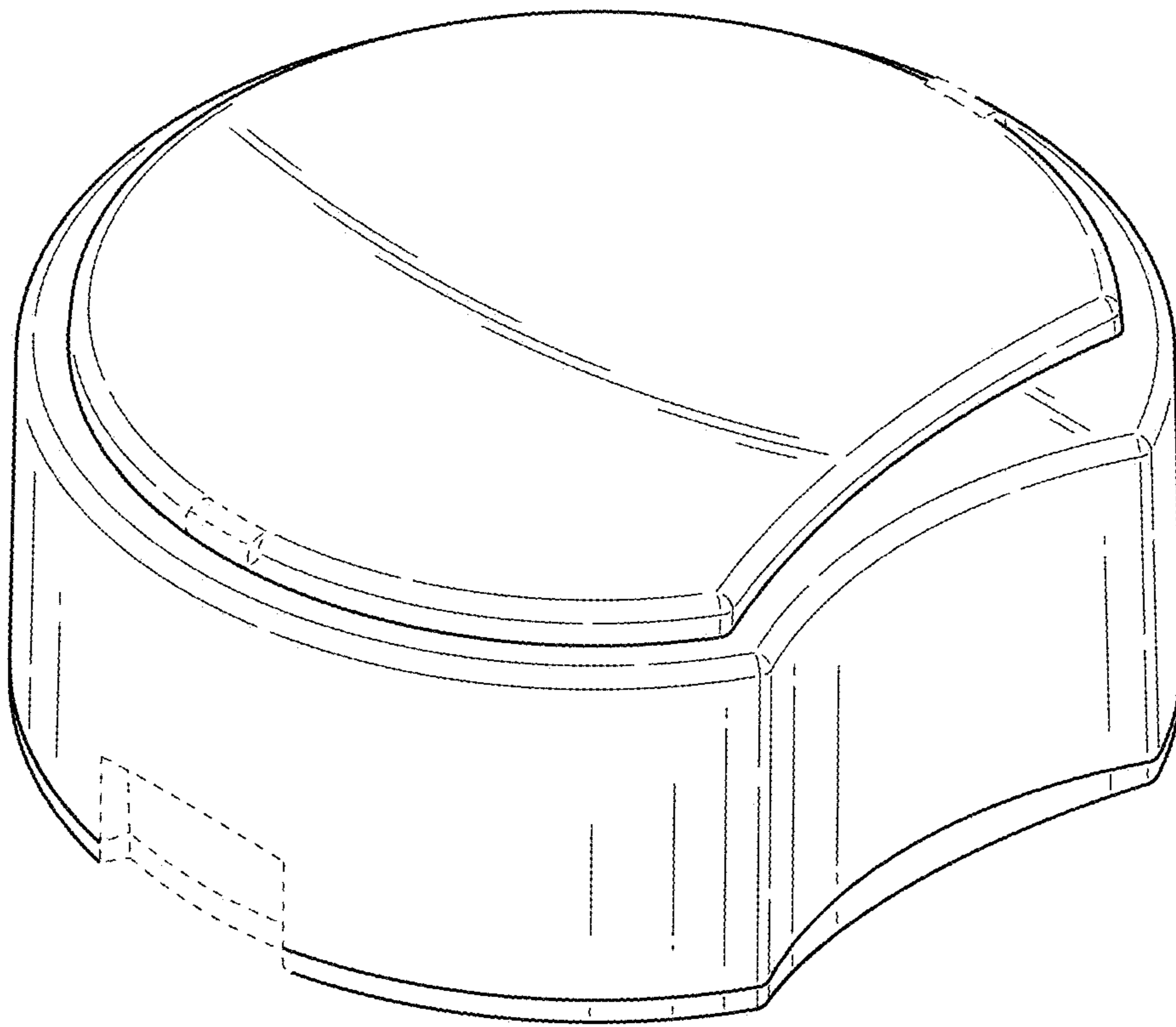


FIG. 1

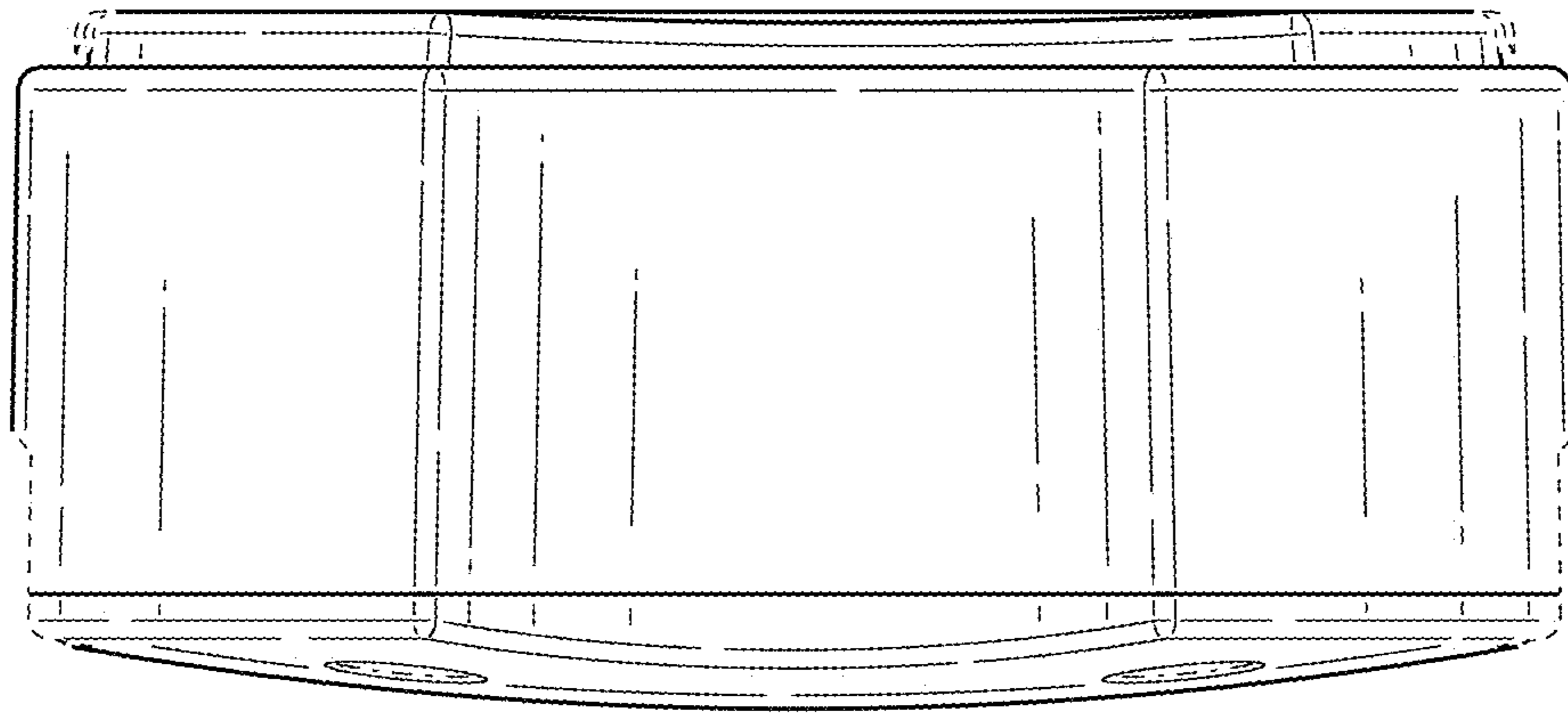


FIG. 2

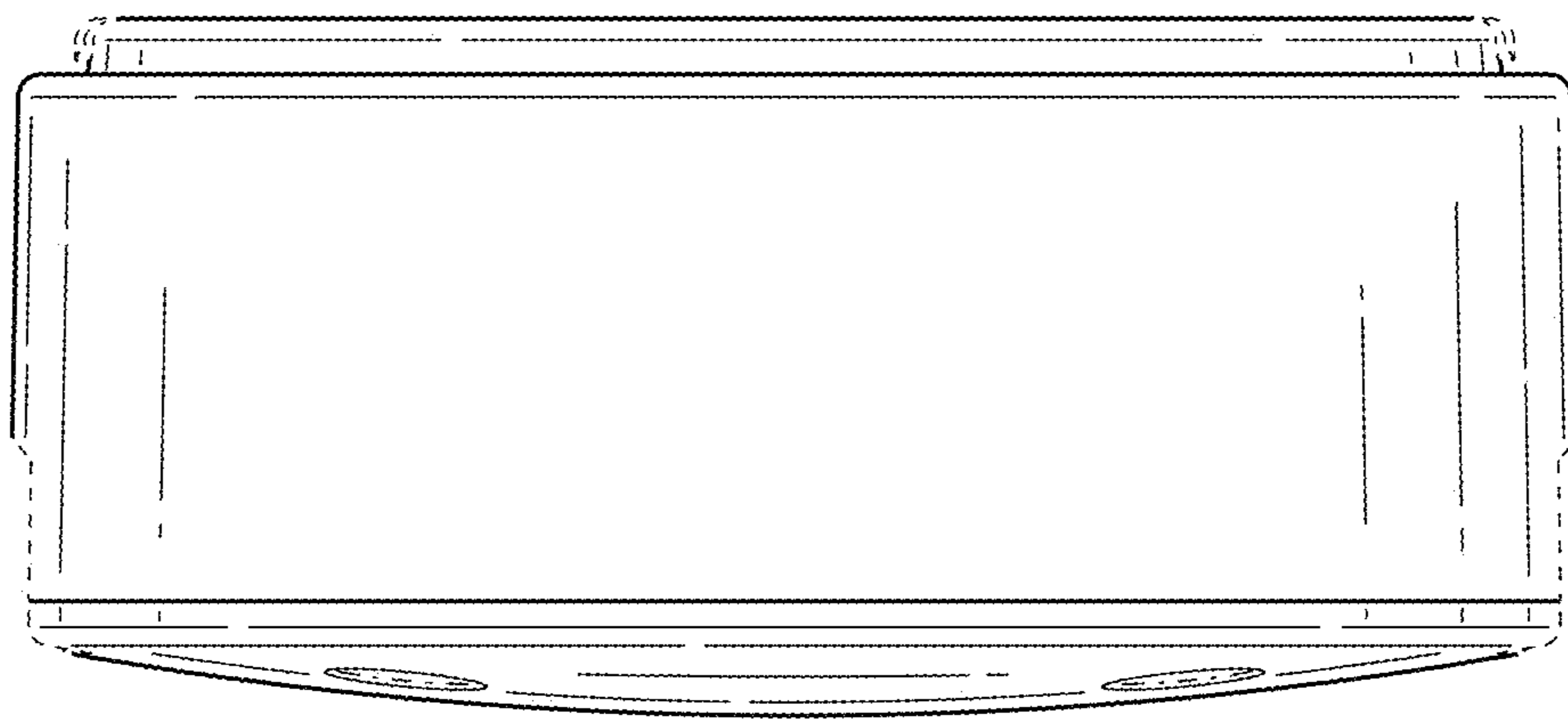


FIG. 3

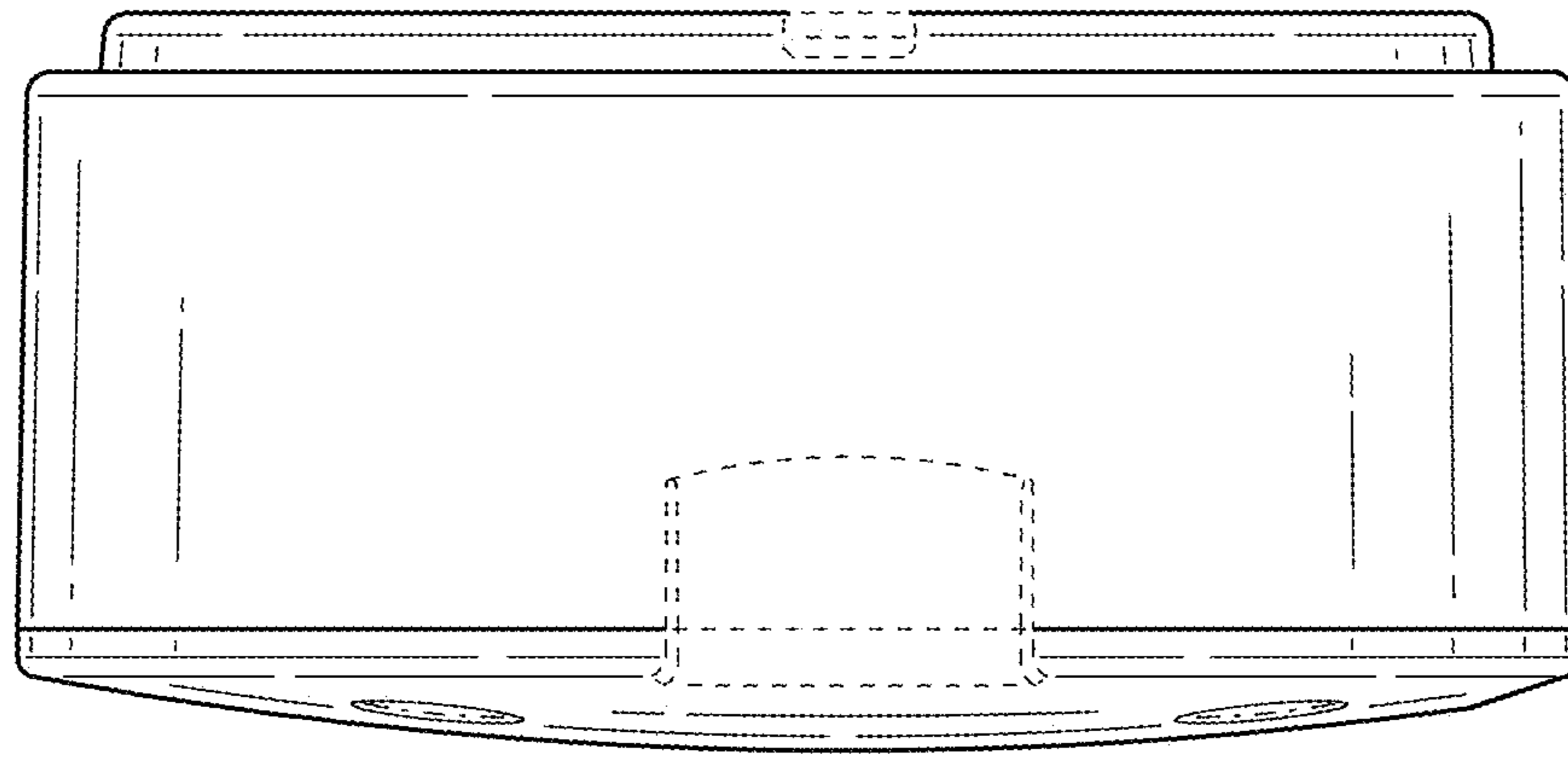


FIG. 4

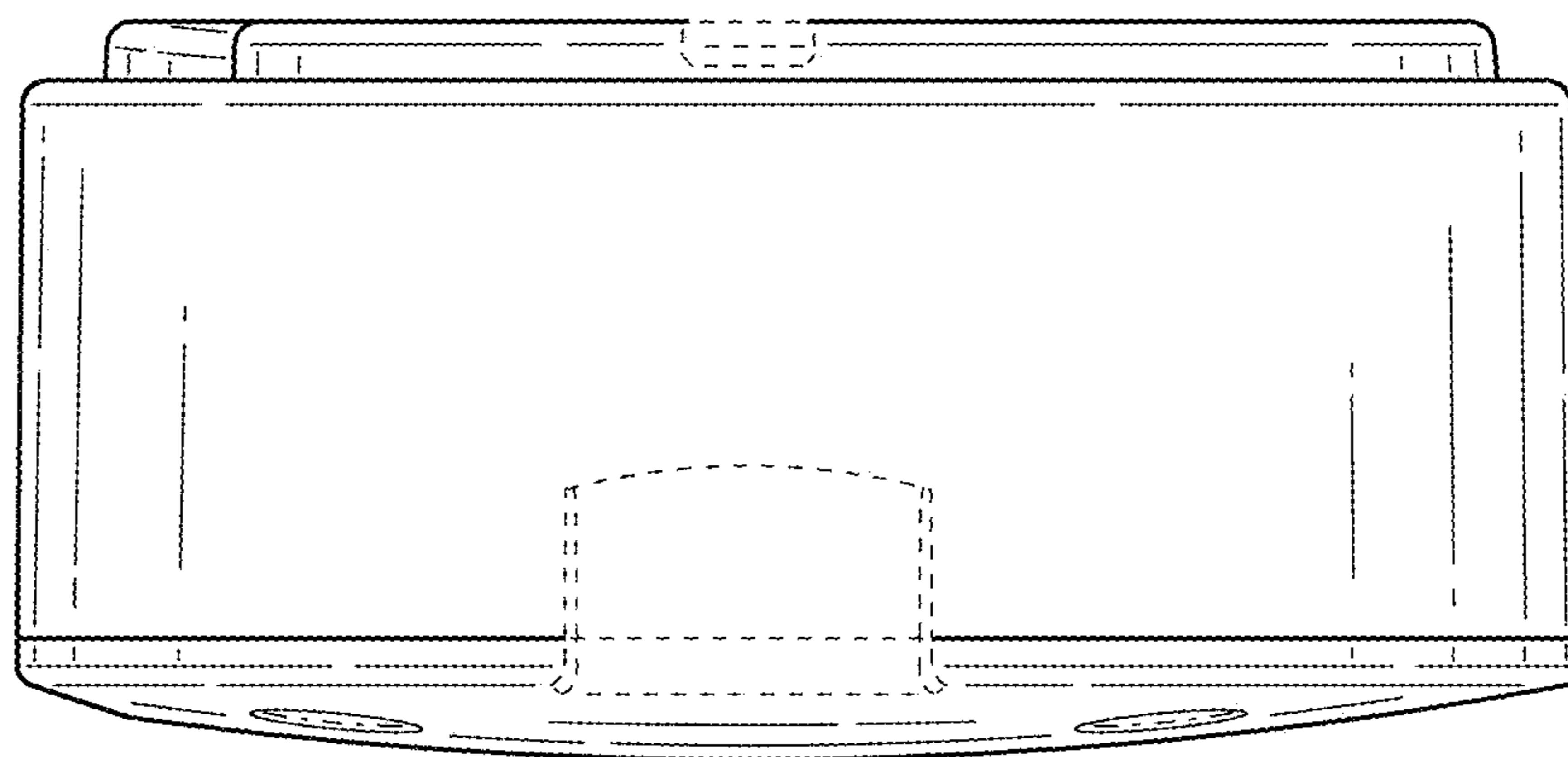


FIG. 5

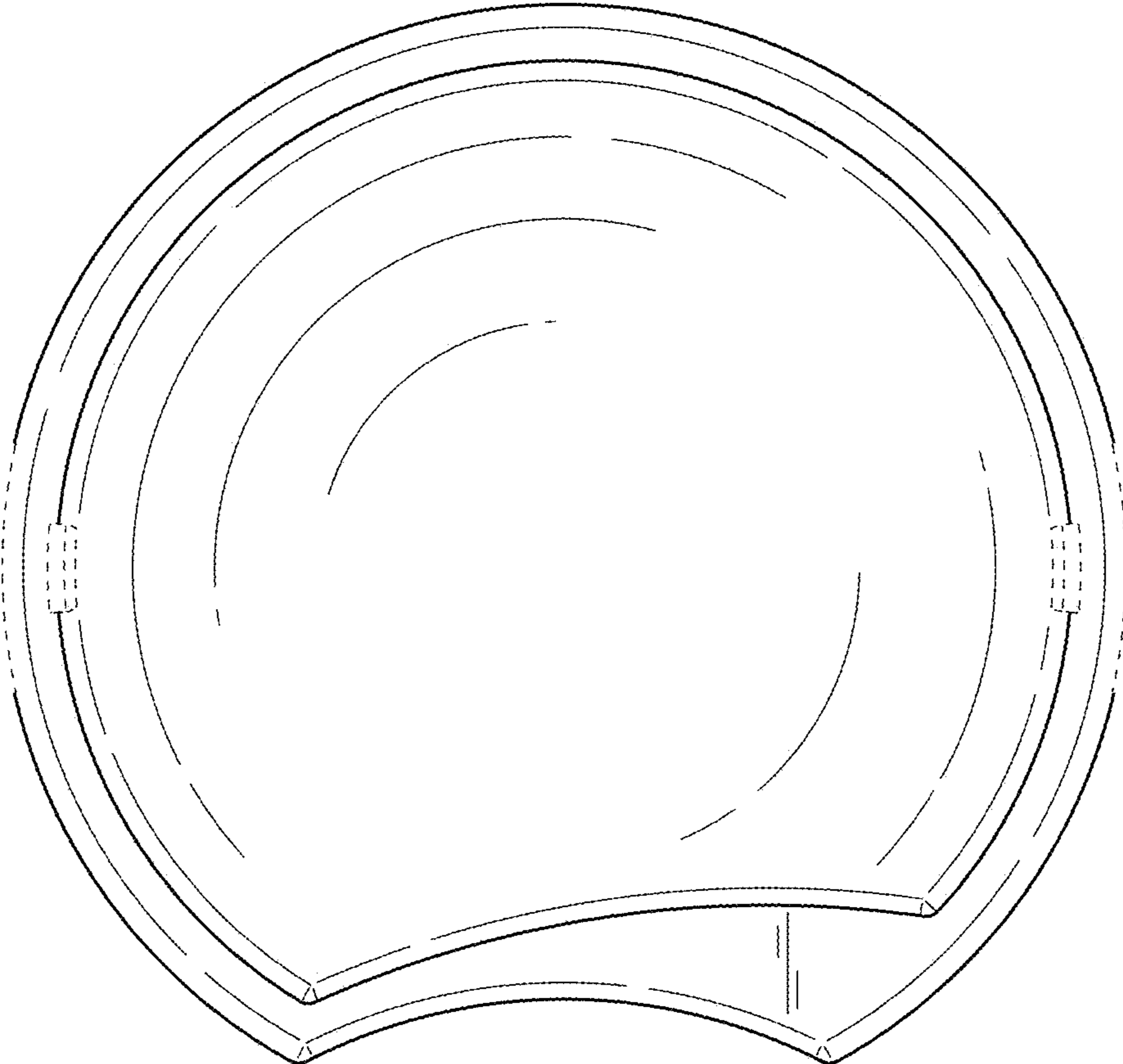


FIG. 6

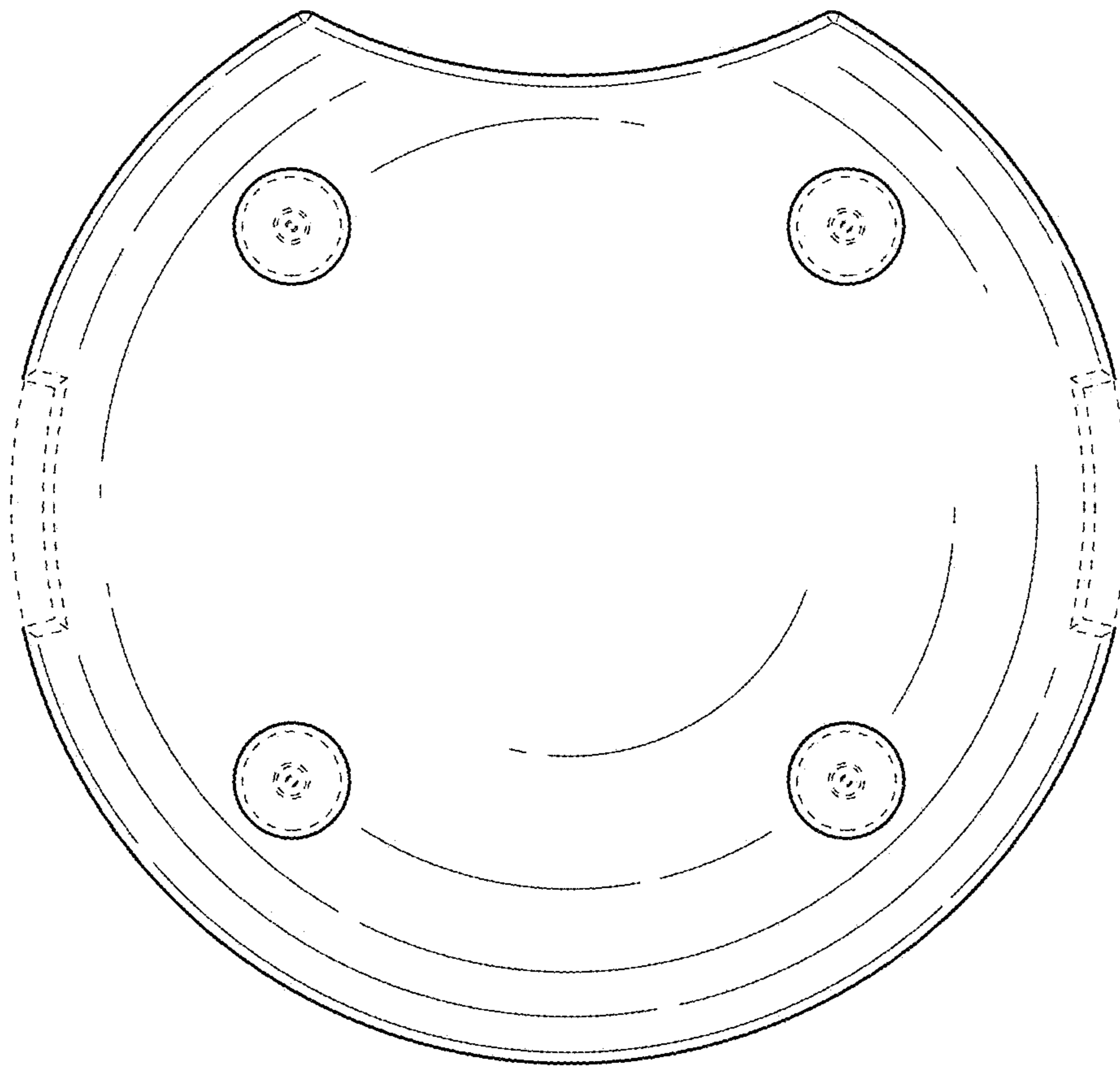


FIG. 7