



US00D988730S

(12) **United States Design Patent**  
**Zhang**

(10) **Patent No.:** **US D988,730 S**  
(45) **Date of Patent:** **\*\* Jun. 13, 2023**

(54) **MIRROR**

(71) Applicant: **Jia Zhang**, Shenzhen (CN)

(72) Inventor: **Jia Zhang**, Shenzhen (CN)

(\*\*) Term: **15 Years**

(21) Appl. No.: **29/855,186**

(22) Filed: **Sep. 30, 2022**

(51) **LOC (14) Cl.** ..... **06-07**

(52) **U.S. Cl.**  
USPC ..... **D6/302; D6/312**

(58) **Field of Classification Search**  
USPC ..... D6/300, 301, 302, 308, 309, 310, 311,  
D6/312, 313; D28/64.1, 64.3, 64.6, 64.7,  
D28/78, 82, 79, 84; D14/252, 253  
CPC .. A47G 1/00; A47G 2001/002; F21V 33/004;  
A45D 42/10  
See application file for complete search history.

(56) **References Cited**

**U.S. PATENT DOCUMENTS**

D874,836 S *	2/2020	Li	.....	D6/312
D902,607 S	11/2020	Liu		
D905,442 S	12/2020	Yang		
D927,862 S *	8/2021	Yang	.....	D6/310
D935,792 S *	11/2021	Li	.....	D6/310
D946,909 S *	3/2022	Yu	.....	D6/310
D976,011 S *	1/2023	Shen	.....	D6/310

**OTHER PUBLICATIONS**

“Jack & Rose Travel Mirror with Lights and Magnification, Portable Makeup Mirror with Light, 3X 7X, Light up Led Mirror for Makeup” product listing, Amazon. Listed as first available on Jul. 15, 2022. Retrieved on Feb. 7, 2023 from <https://a.co/d/bWYarJ4> (Year: 2022).\*

“NewTri-fold LED Makeup Mirror with Magnify Glass Handheld Travel Mirror Memory Function Light Mirror accept Customize Metallic” product listing, Alibaba. Best date of availability Aug. 15,

2022. Retrieved on Feb. 7, 2023 from [https://www.alibaba.com/product-detail/New-Tri-fold-LED-Makeup-Mirror\\_1600653734177.html](https://www.alibaba.com/product-detail/New-Tri-fold-LED-Makeup-Mirror_1600653734177.html) (Year: 2022).\*

“Sejoy Travel Lighted Makeup Mirror, 1X/3X/7X Magnifying Mirror with Lights, 3-Color Light Trifold Vanity Mirror, Adjustable Brightness, Rechargeable, for Tabletop, Desk” product listing, Amazon. Listed as first available on Jul. 18, 2022. Retrieved on Feb. 7, 2023 from <https://a.co/d/47Y8qVv> (Year: 2022).\*

\* cited by examiner

*Primary Examiner* — Deanna L Pratt

(74) *Attorney, Agent, or Firm* — Daniel M. Cohn;  
Howard M. Cohn

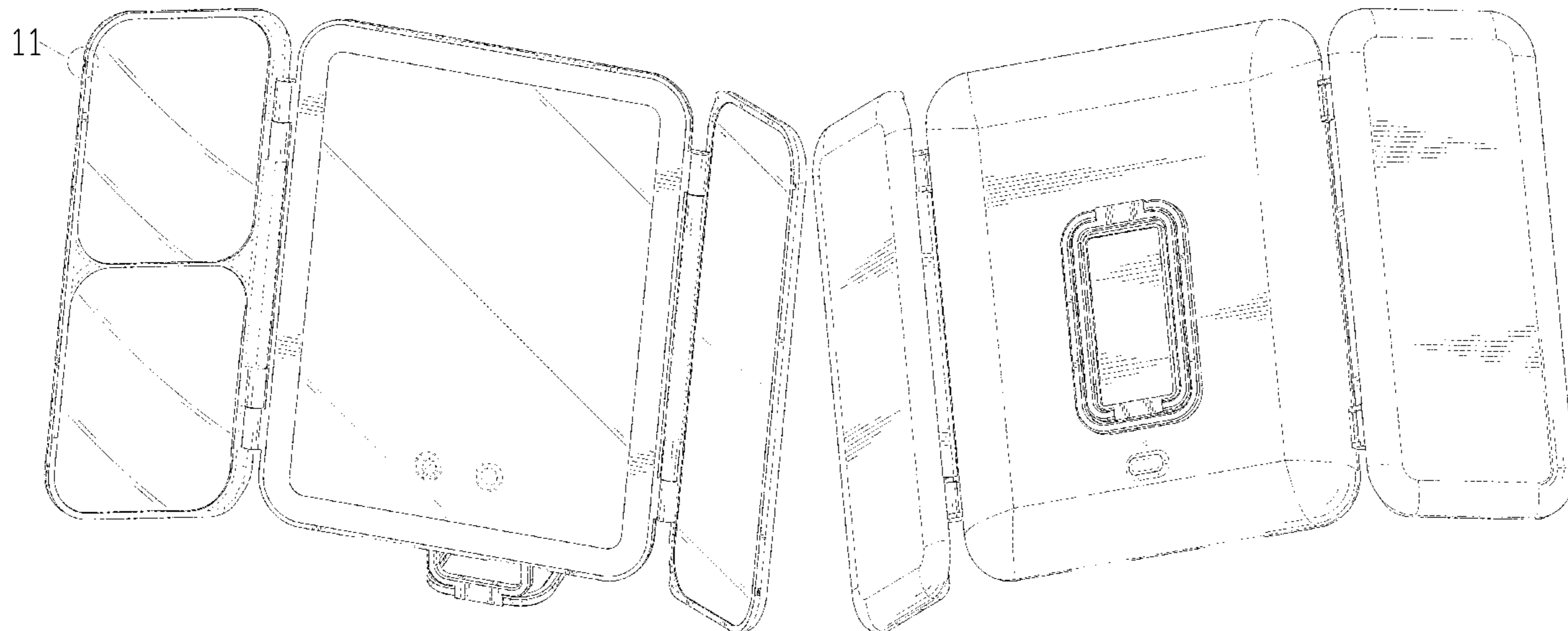
(57) **CLAIM**

The ornamental design for a mirror, as shown and described.

**DESCRIPTION**

FIG. 1 is a perspective view of a mirror showing my new design, shown in a first configuration of use;  
FIG. 2 is another perspective view thereof;  
FIG. 3 is a front elevational view thereof;  
FIG. 4 is a rear elevational view thereof;  
FIG. 5 is a left side elevational view thereof;  
FIG. 6 is a right side elevational view thereof;  
FIG. 7 is a top plan view thereof;  
FIG. 8 is a bottom plan view thereof;  
FIG. 9 is a perspective view of the mirror where the mirror is in a second configuration of use;  
FIG. 10 is a perspective view of the mirror where the mirror is in a folded state;  
FIG. 11 is an enlarged view of portion 11 shown in FIG. 1; and,  
FIG. 12 is an enlarged view of portion 12 shown in FIG. 2. The dash-dash broken lines in the drawings depict portions of the mirror that form no part of the claimed design. The dot-dash broken lines represent boundaries of the enlarged portions and form no part of the claimed design.

**1 Claim, 12 Drawing Sheets**



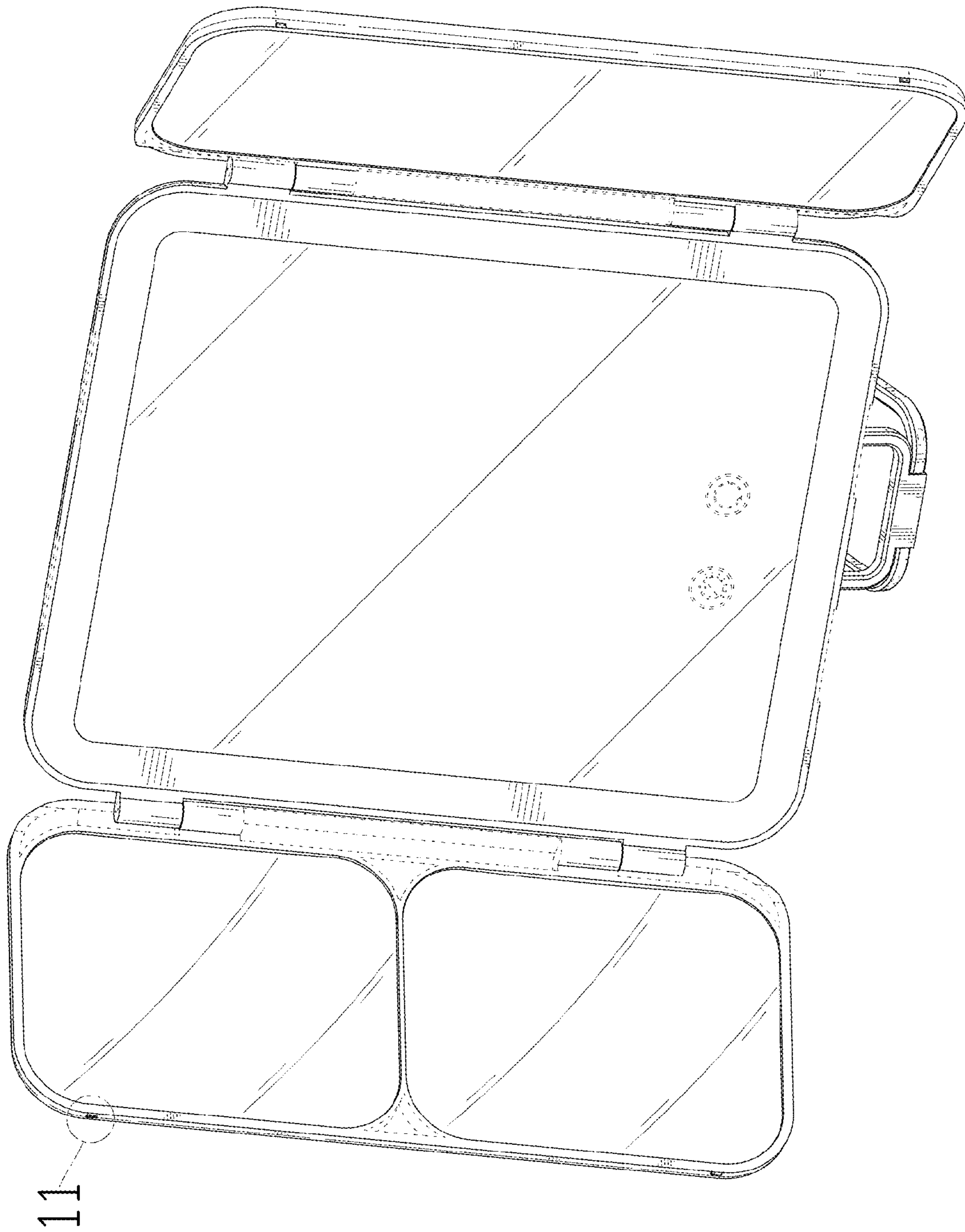


FIG. 1

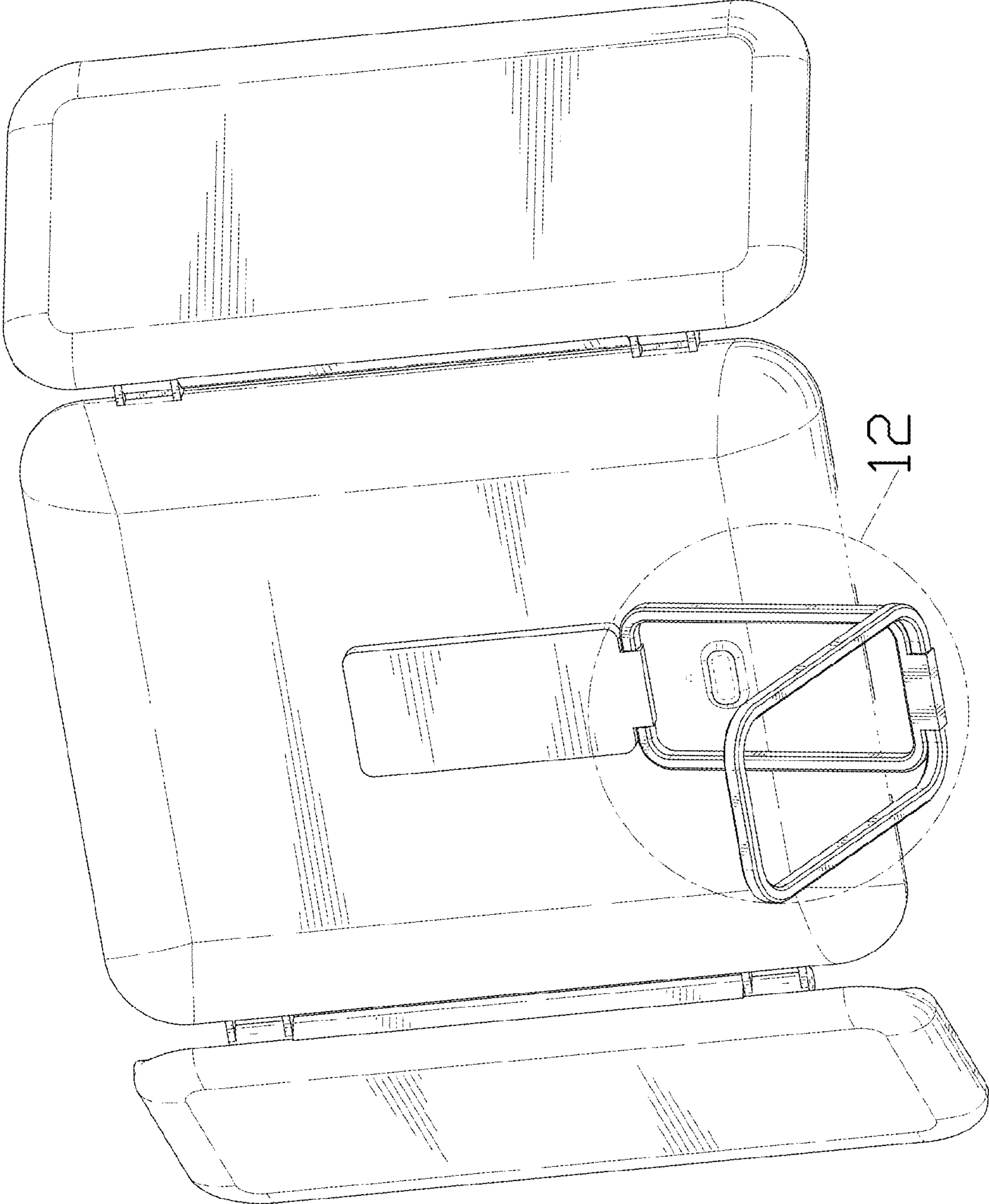


FIG. 2

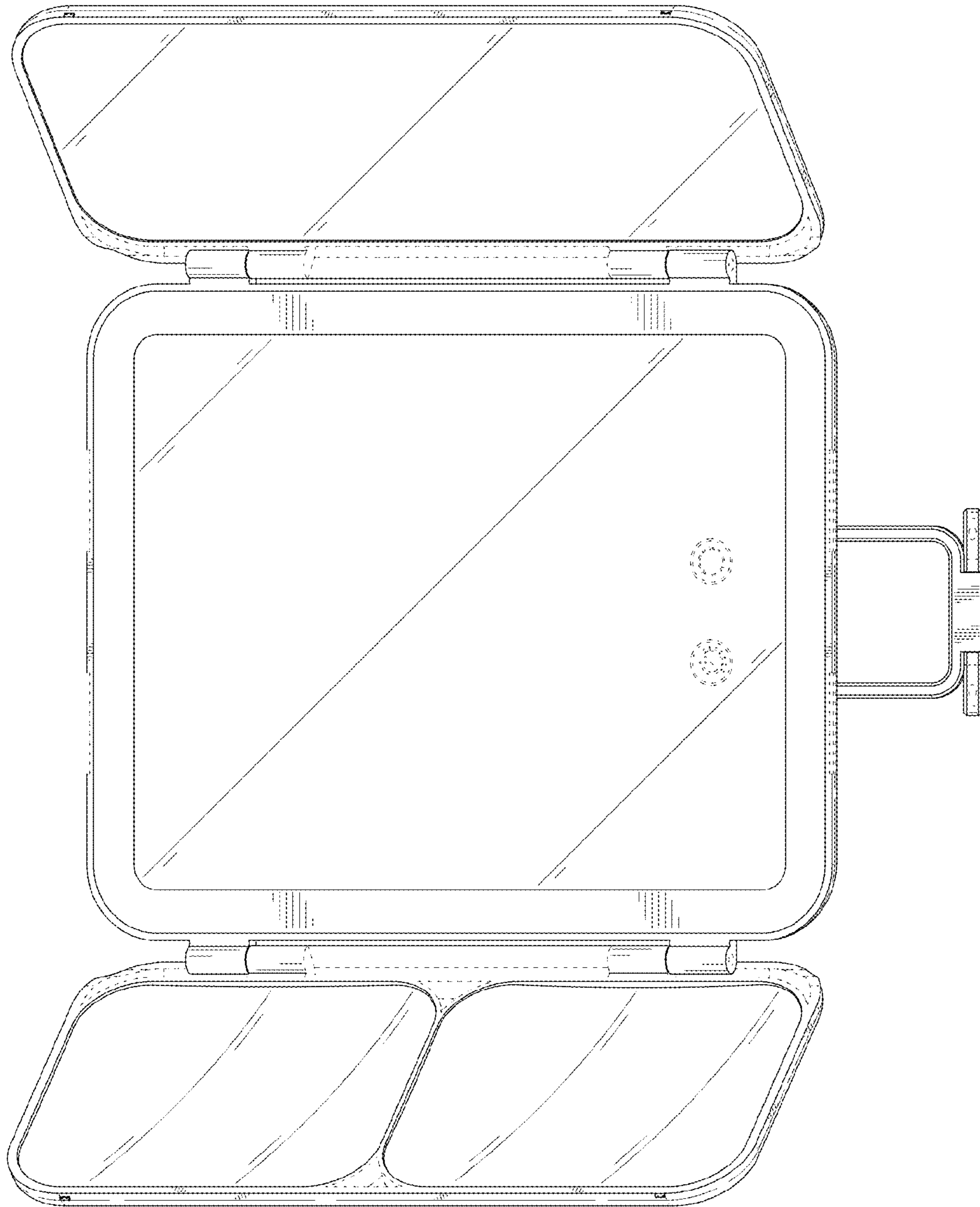


FIG. 3

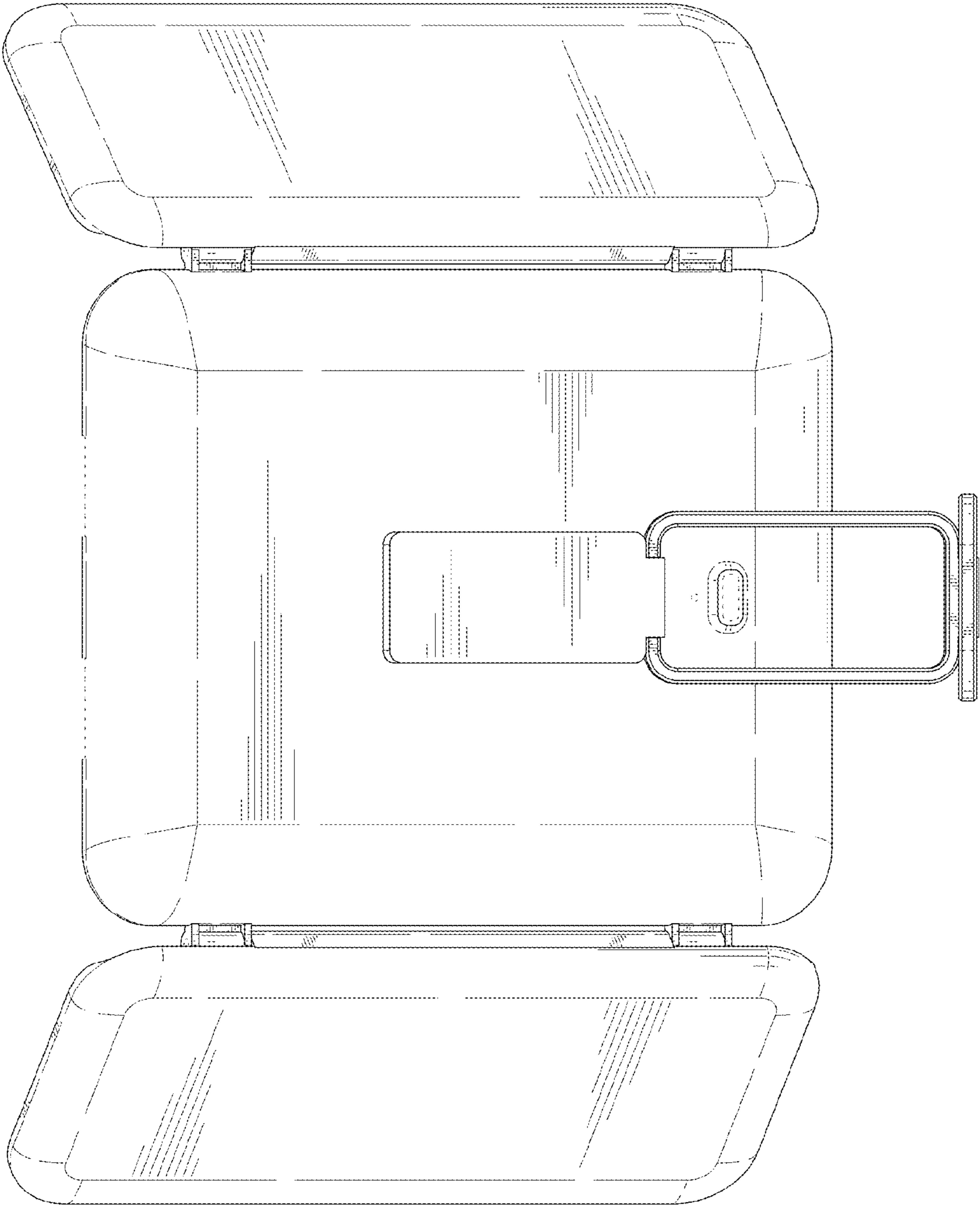


FIG. 4

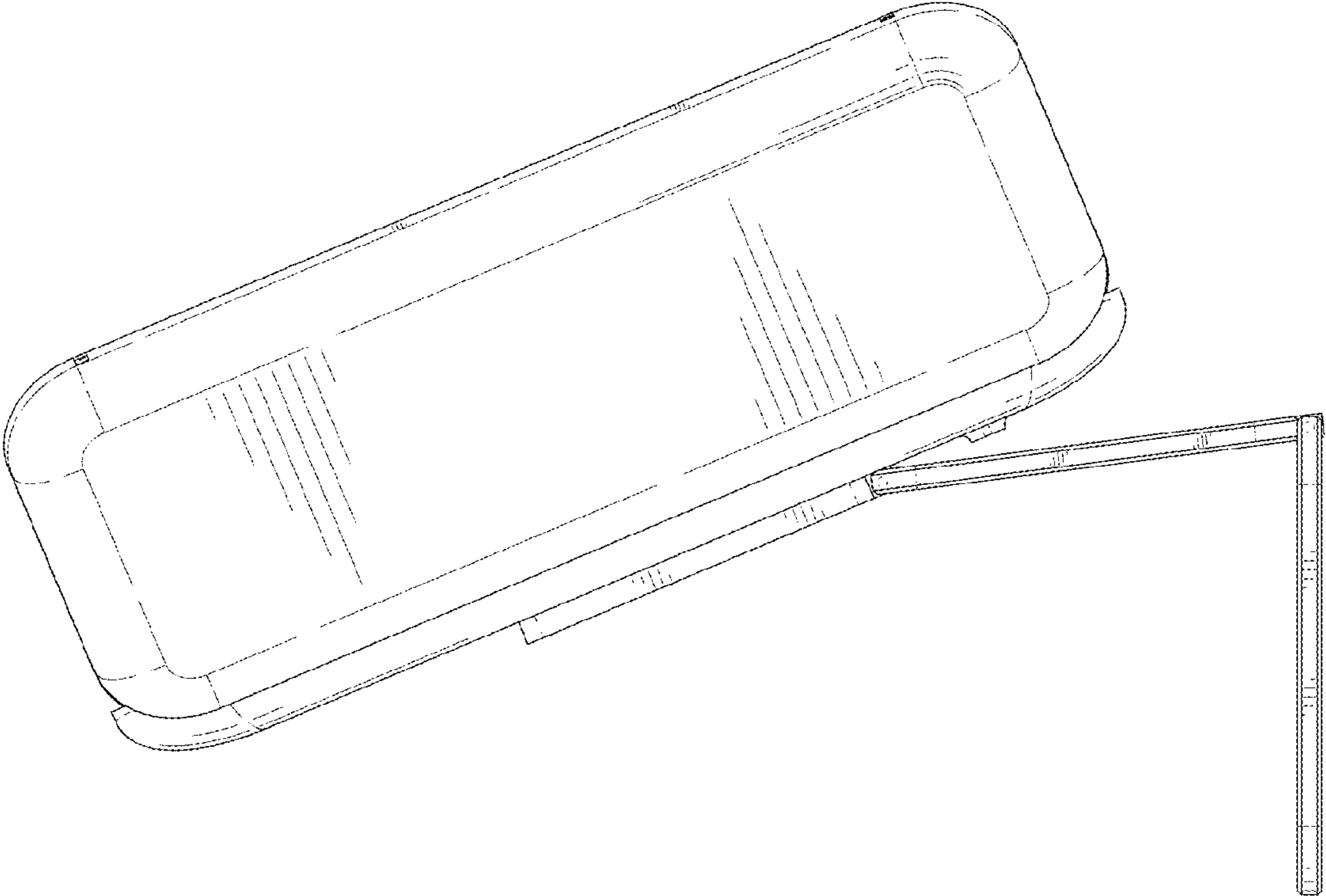


FIG. 5

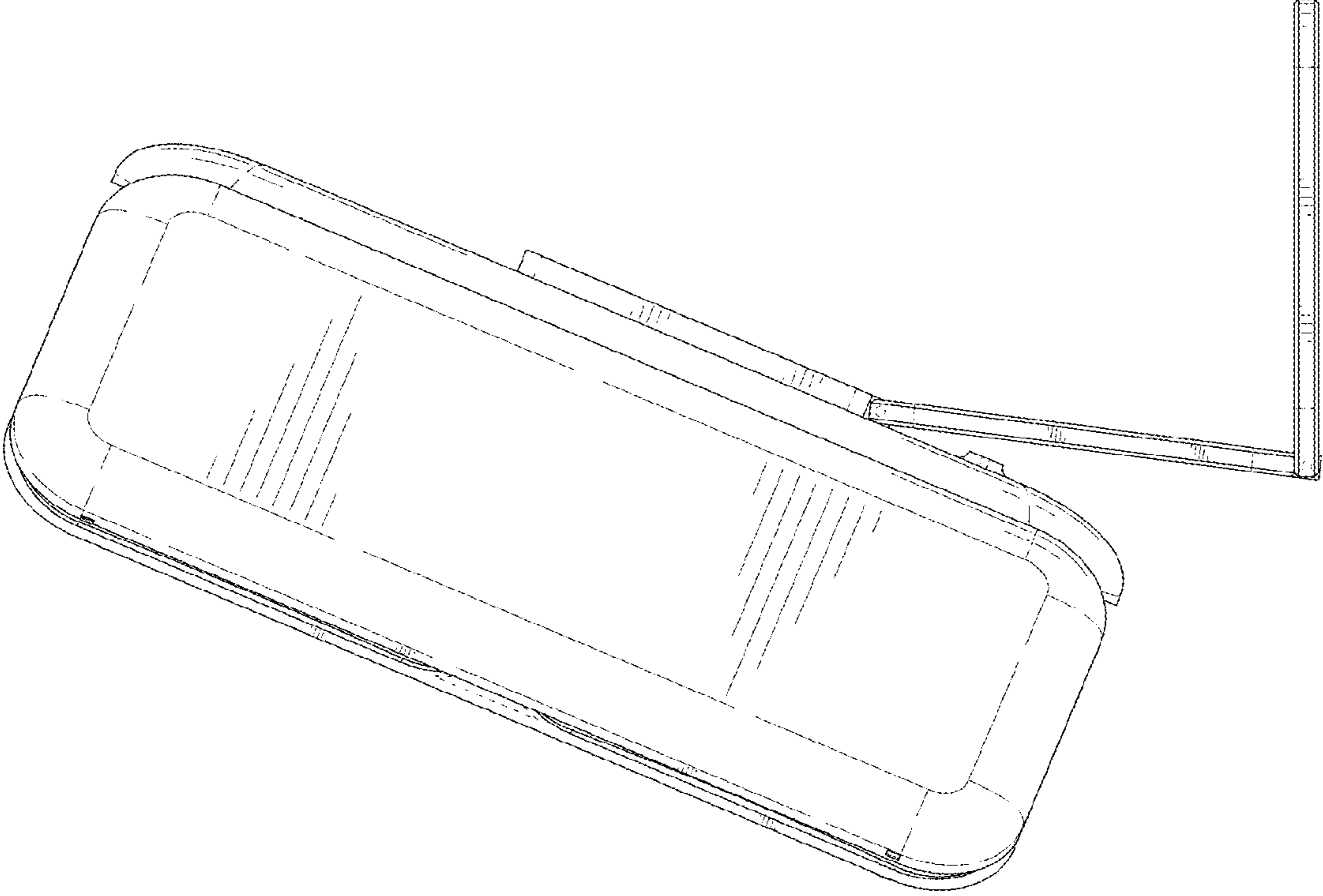


FIG. 6

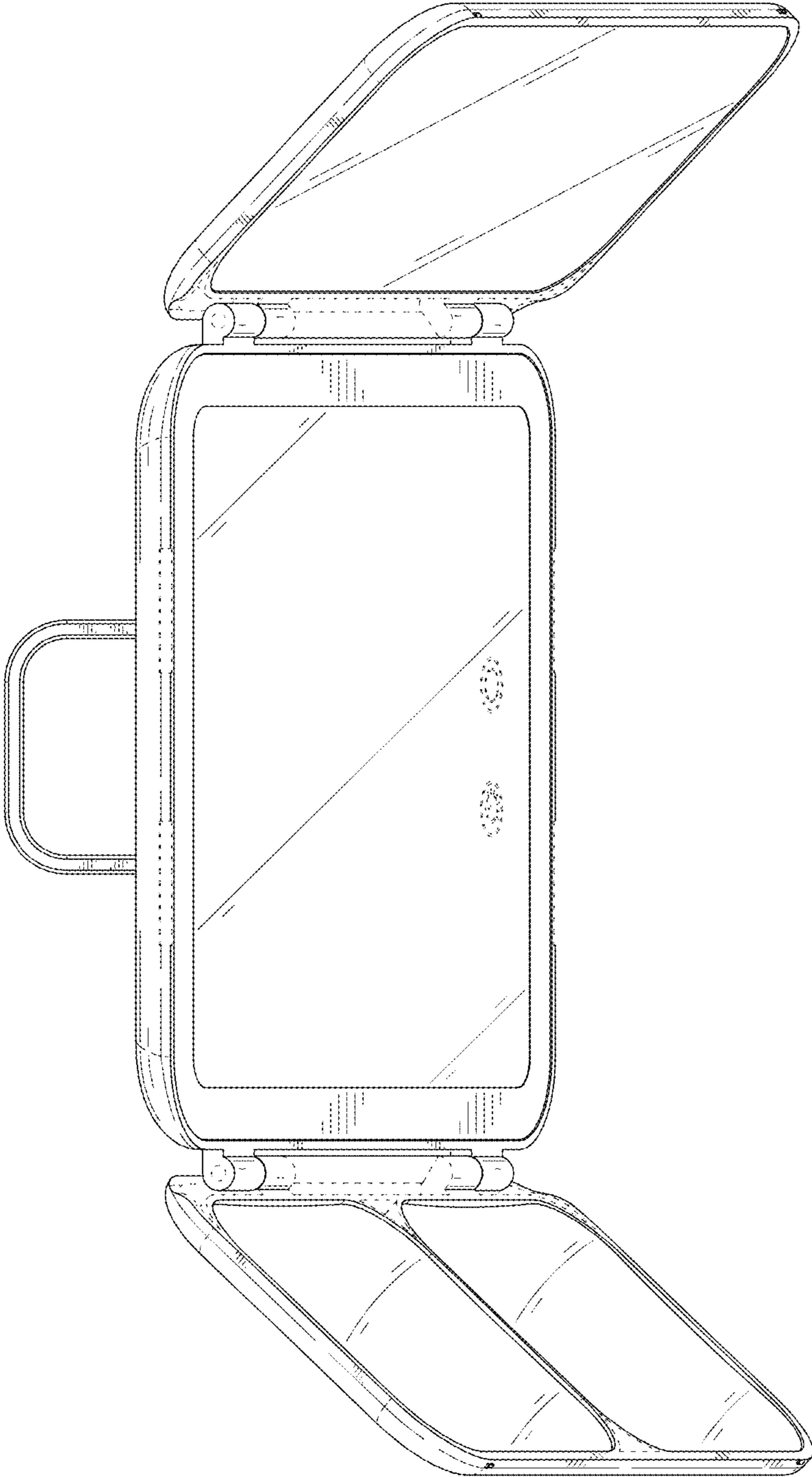


FIG. 7



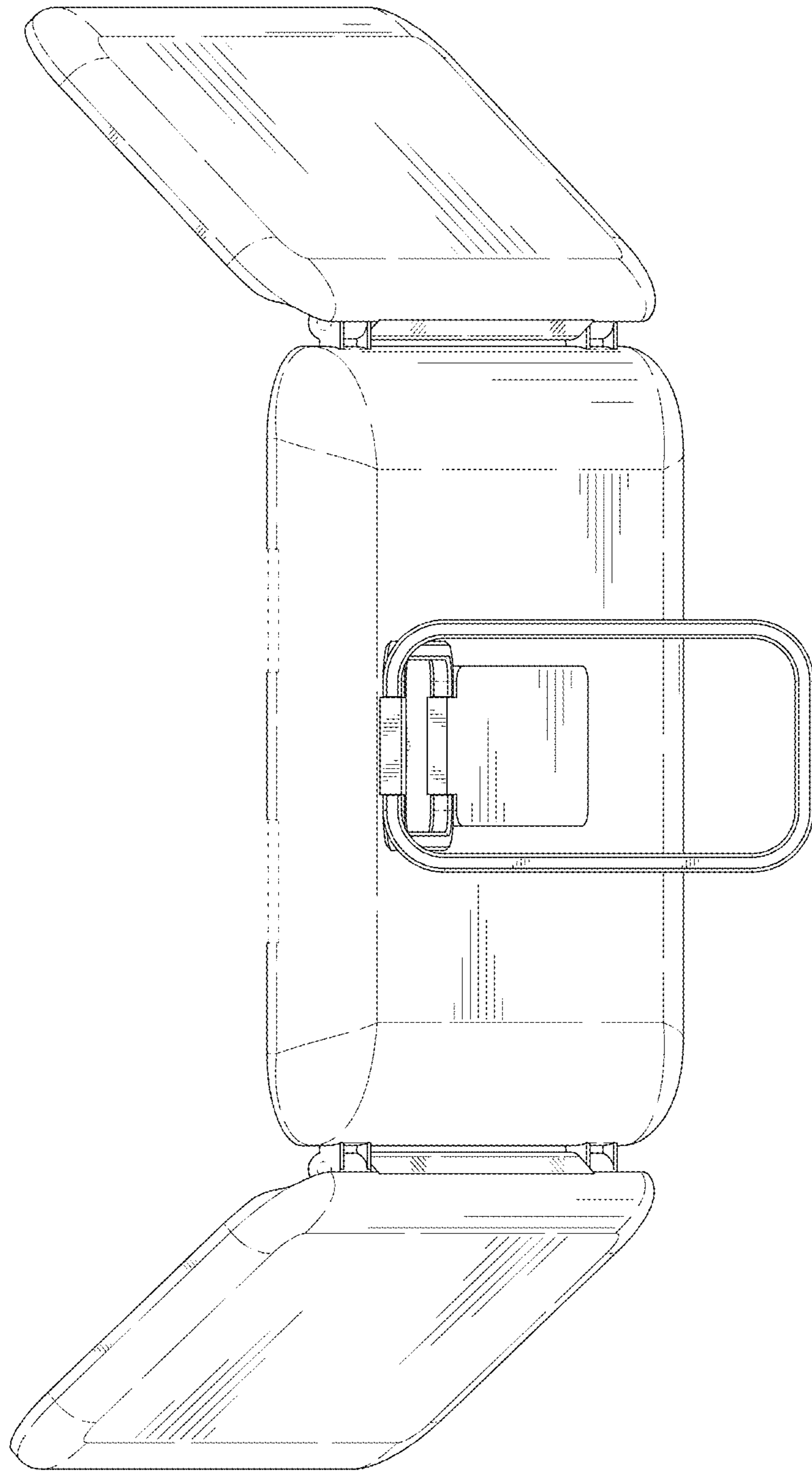


FIG. 8

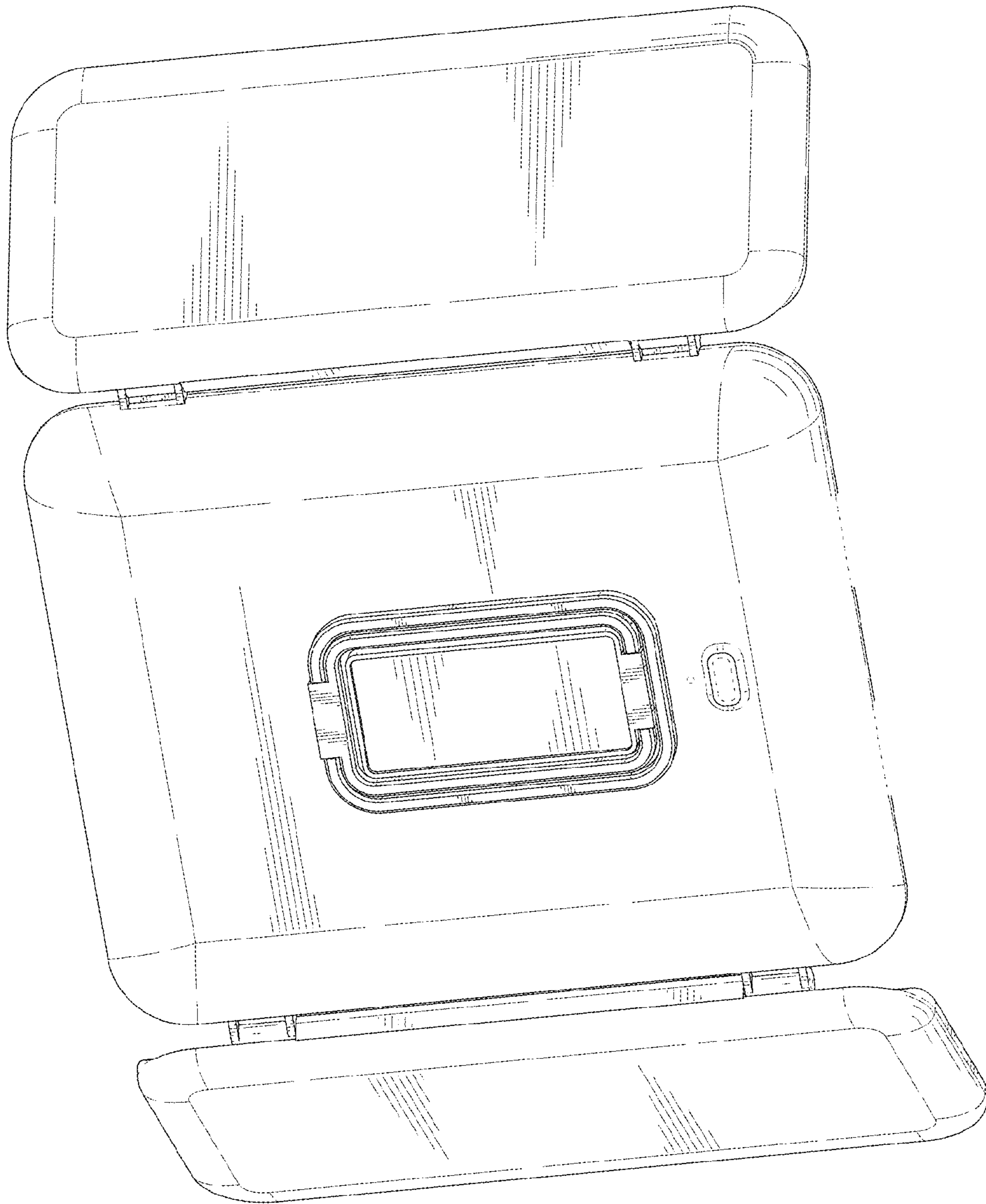


FIG. 9

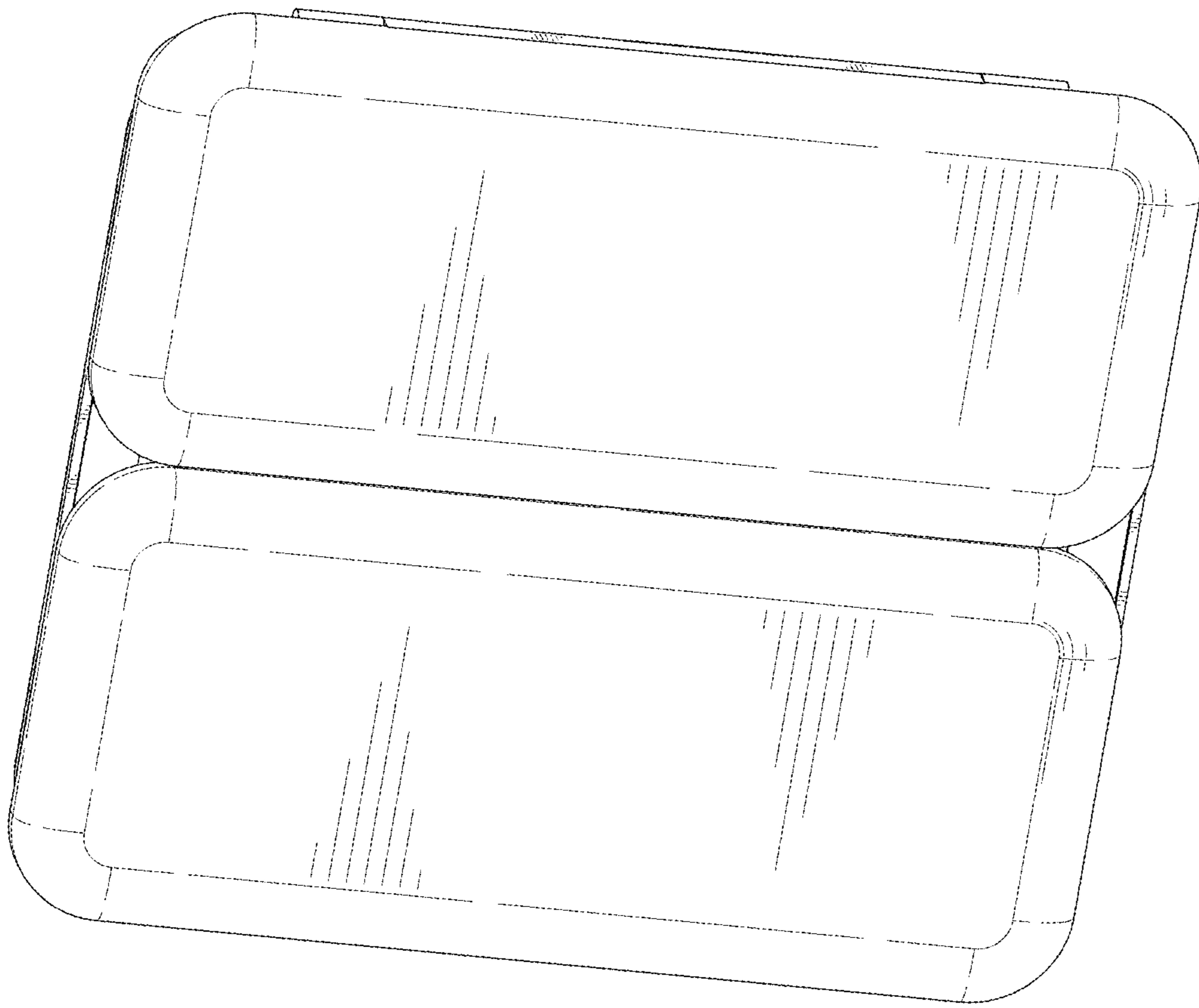


FIG. 10

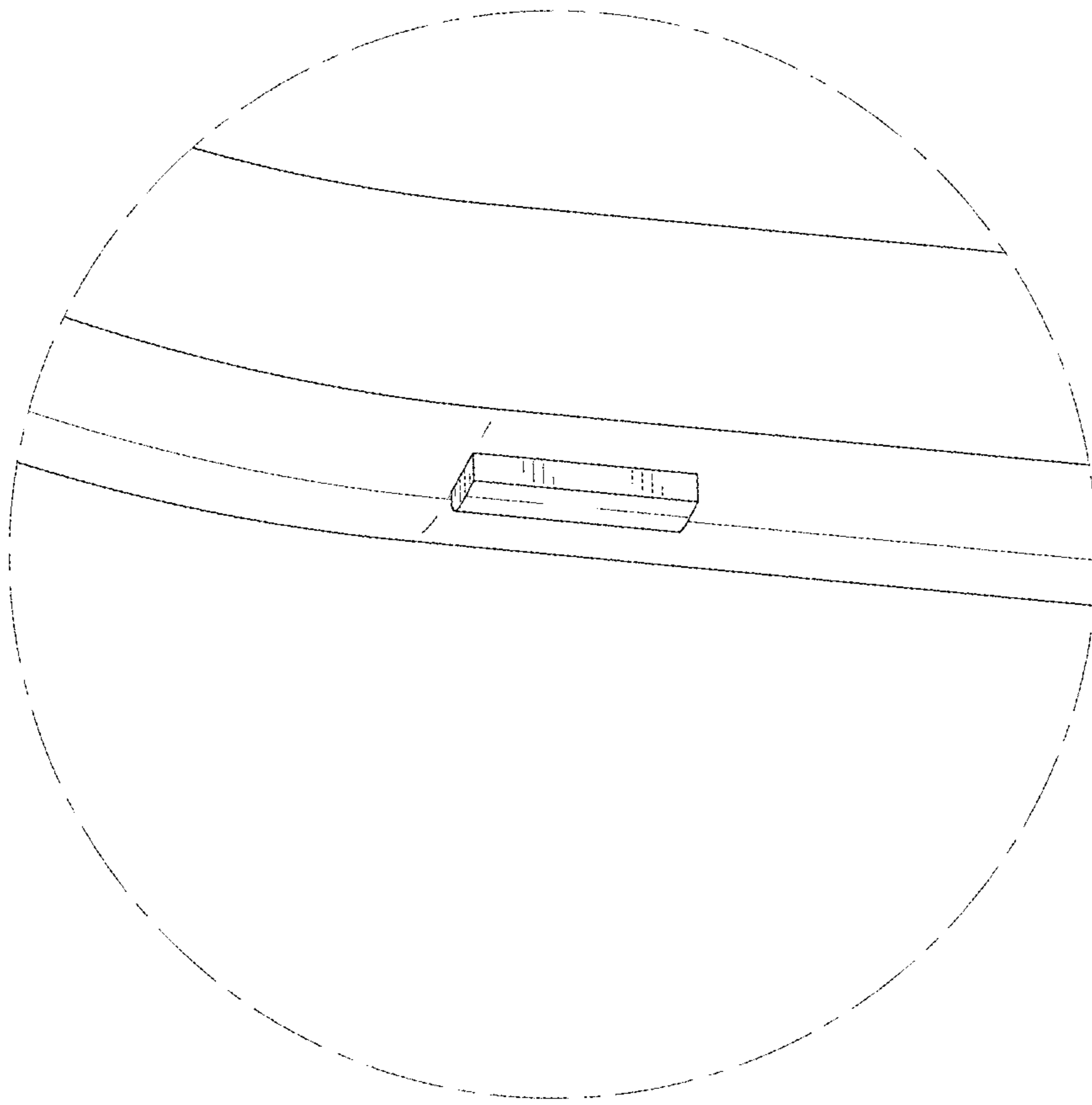


FIG. 11

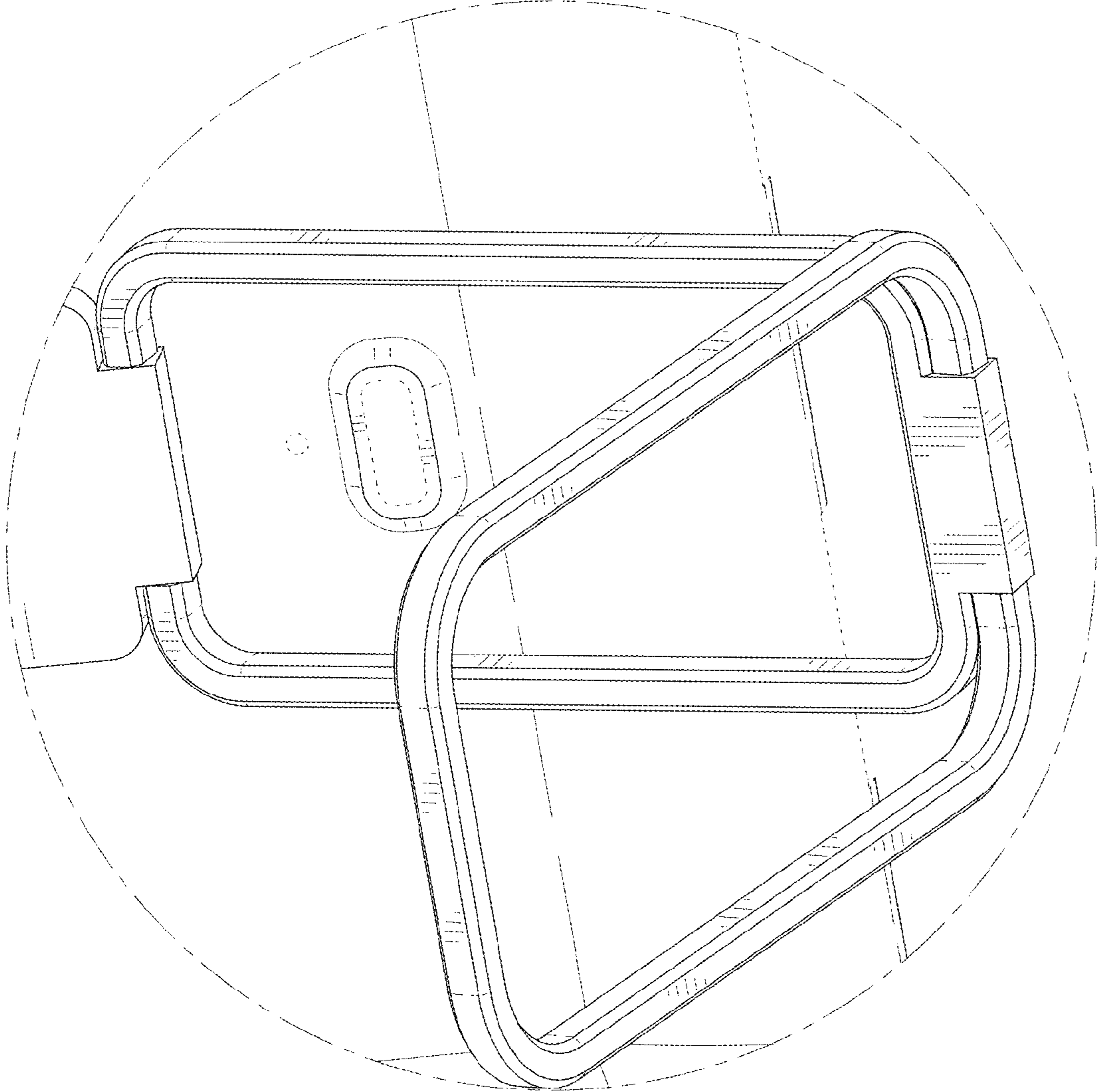


FIG. 12