



US00D988727S

(12) **United States Design Patent**
Chen

(10) **Patent No.:** **US D988,727 S**
(45) **Date of Patent:** **** Jun. 13, 2023**

(54) **COMB**
(71) Applicant: **NINGBO LET IT BE ARTS AND CRAFTS CO., LTD**, Ningbo (CN)
(72) Inventor: **Jiayan Chen**, Ningbo (CN)
(73) Assignee: **NINGBO LET IT BE ARTS AND CRAFTS CO., LTD**, Ningbo (CN)

D834,332 S * 11/2018 Chen D4/134
D893,888 S * 8/2020 Sze D4/134
D895,299 S * 9/2020 Sun D4/134
D913,703 S * 3/2021 Sze D4/134
11,166,542 B2 * 11/2021 Sze A46B 5/0025
D939,221 S * 12/2021 Park D4/138
11,202,498 B2 * 12/2021 Sze A46B 9/023
D946,905 S * 3/2022 Hinds D4/134

(**) Term: **15 Years**
(21) Appl. No.: **29/773,878**
(22) Filed: **Mar. 12, 2021**

(30) **Foreign Application Priority Data**
Dec. 21, 2020 (CN) 202030788226.9
(51) **LOC (14) Cl.** **04-02**
(52) **U.S. Cl.**
USPC **D4/130**
(58) **Field of Classification Search**
USPC D4/100, 102, 114, 116, 127, 128, 129,
D4/130, 131, 132, 133, 134, 135, 136,
D4/137, 138, 199; D30/158
CPC A46B 7/06; A46B 9/023; A46B 2200/104
See application file for complete search history.

(56) **References Cited**
U.S. PATENT DOCUMENTS
825,910 A * 7/1906 Kleinsorgen A46B 7/06
15/201
D739,660 S * 9/2015 Rennette D4/138
D749,326 S * 2/2016 Rennette D4/136
D750,896 S * 3/2016 Park D4/136

OTHER PUBLICATIONS

Zero Carbon Nest Hairbrush by Biofriendly [on-line]. [Availability date unavailable.] [Retrieved from the Internet on Feb. 25, 2023.] URL: <<https://www.biohairbrush.com/hair-brush/detangling-brushes/nest-brush-coconut-husk.html>> (Year: 2023).*

* cited by examiner

Primary Examiner — Karen E Eldridge Powers
(74) *Attorney, Agent, or Firm* — Bayramoglu Law Offices LLC

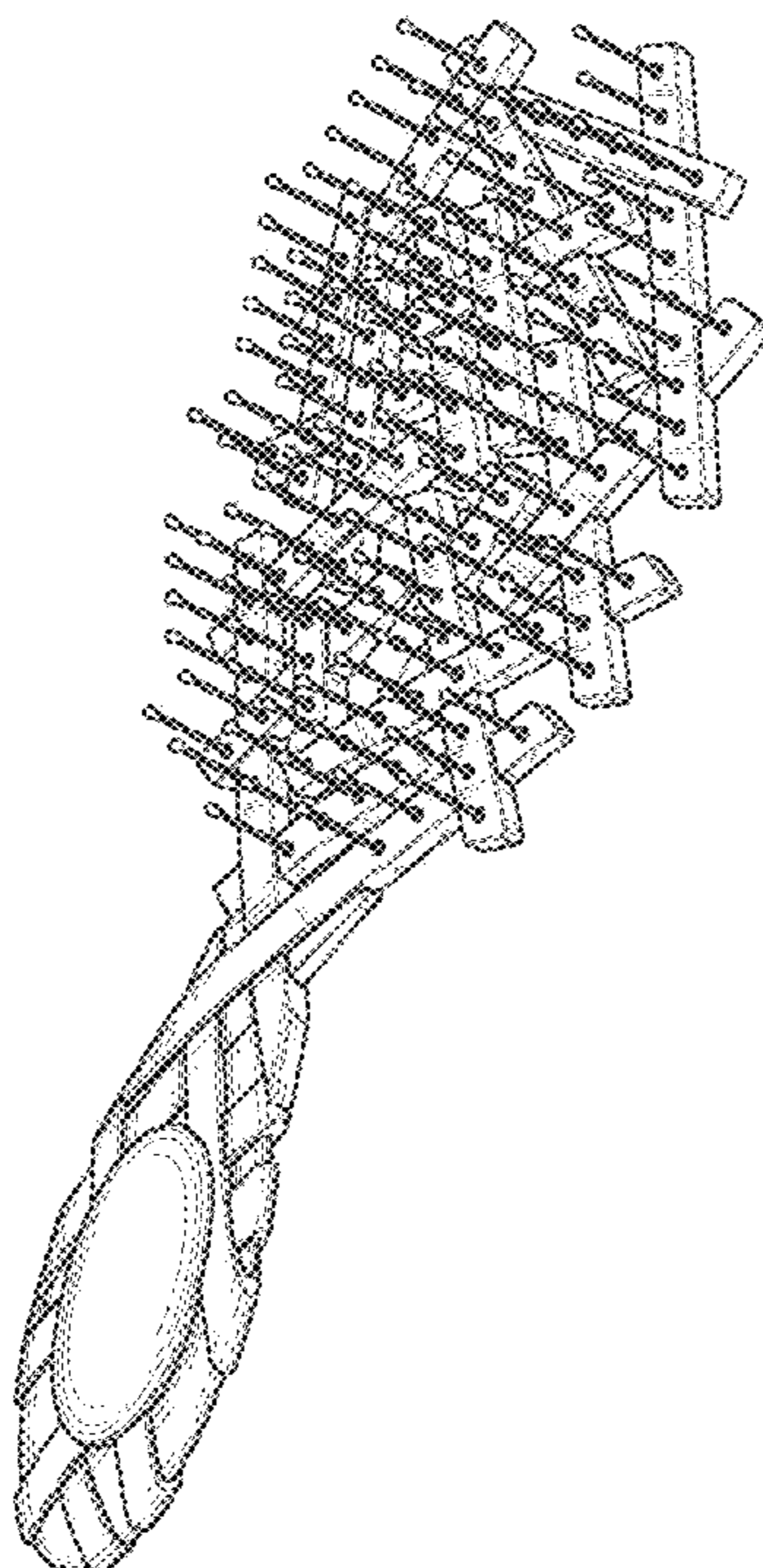
(57) **CLAIM**

The ornamental design for a comb, as shown and described.

DESCRIPTION

FIG. 1 is a perspective view of a comb showing my new design;
FIG. 2 is a rear elevational view thereof;
FIG. 3 is a front elevational view thereof;
FIG. 4 is a right side elevational view thereof;
FIG. 5 is a left side elevational view thereof;
FIG. 6 is a bottom plan view thereof; and,
FIG. 7 is a top plan view thereof.

1 Claim, 7 Drawing Sheets



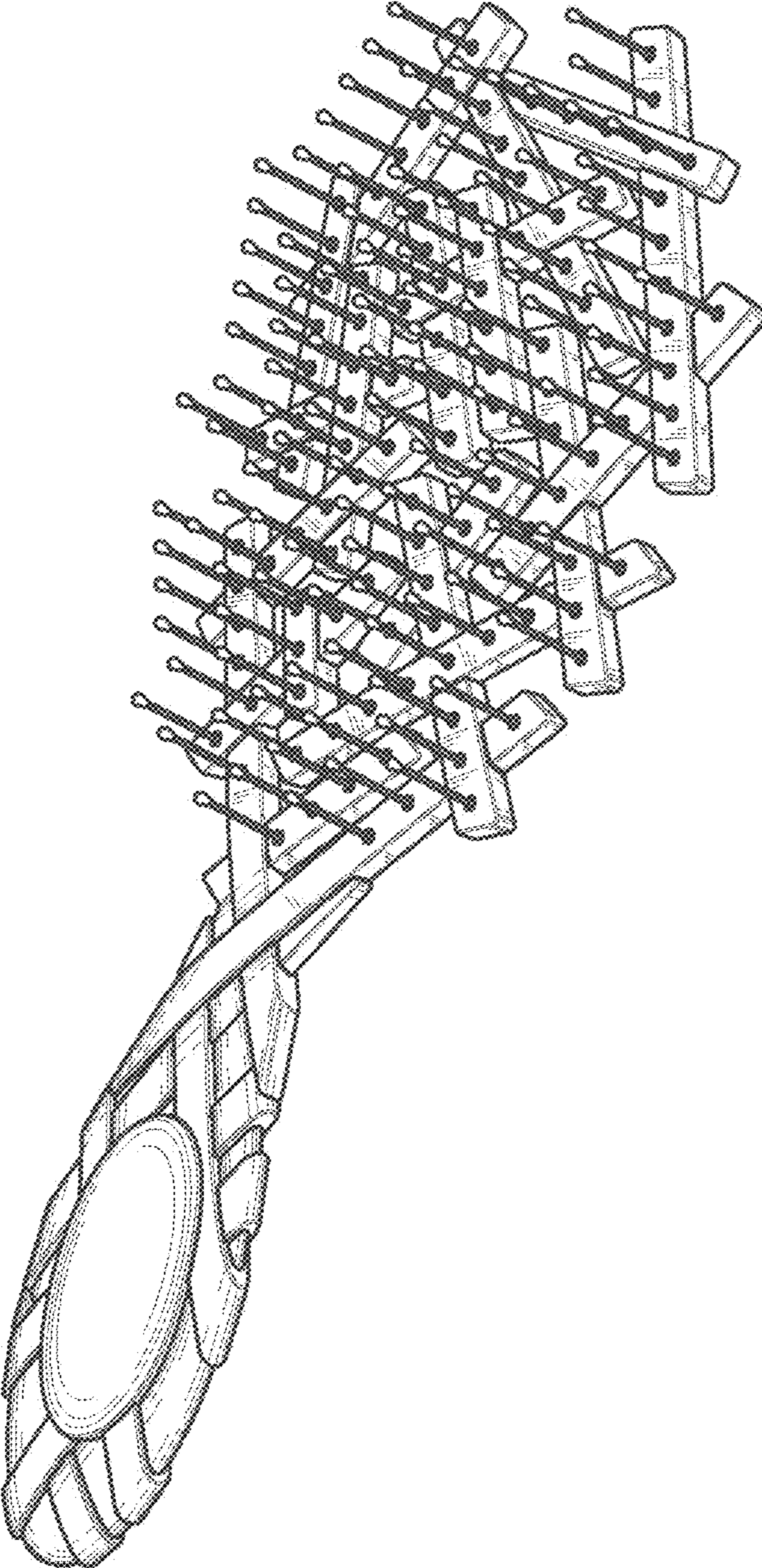


Fig. 1

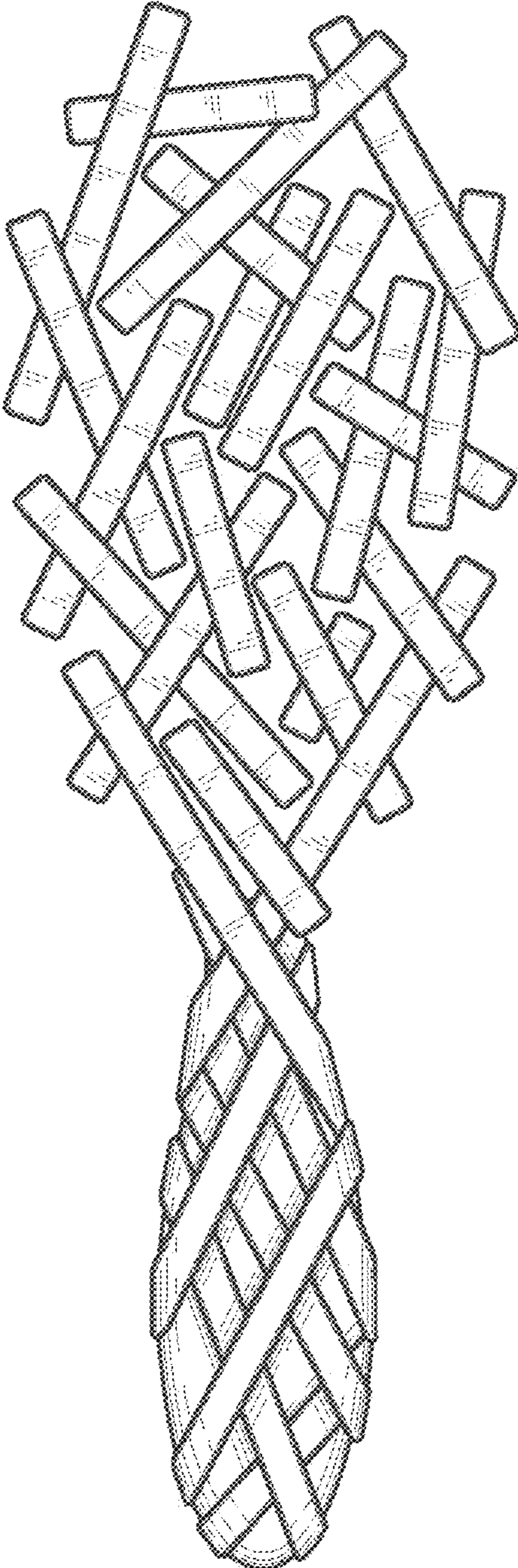


Fig. 2

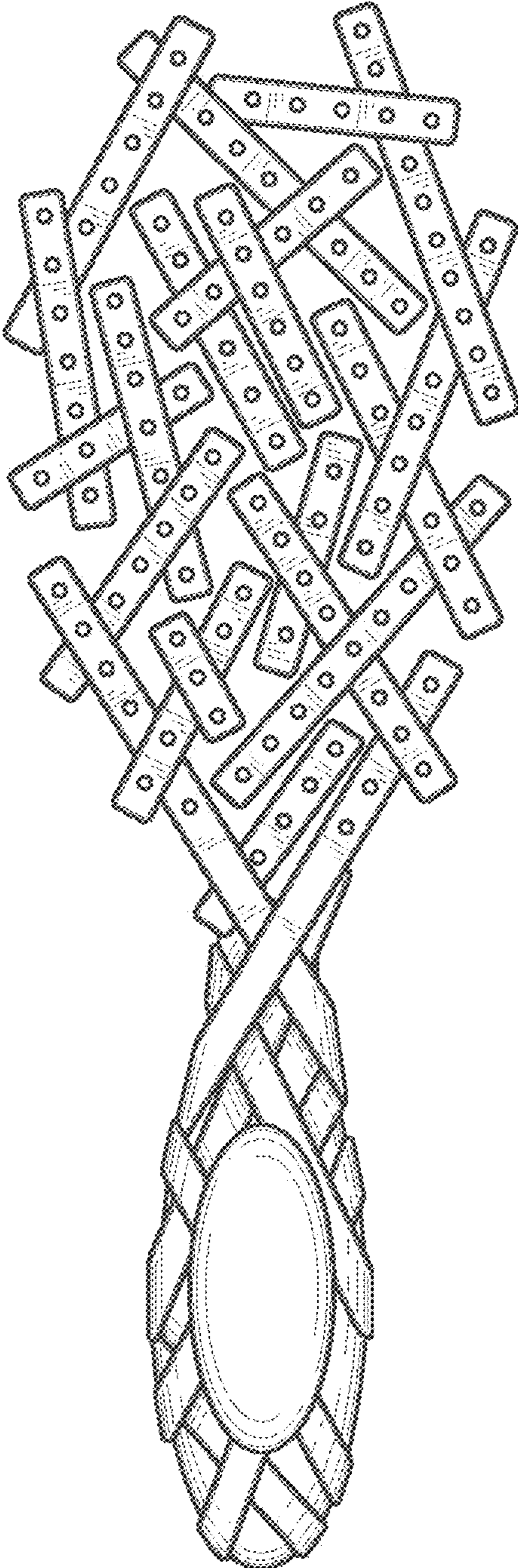


Fig. 3

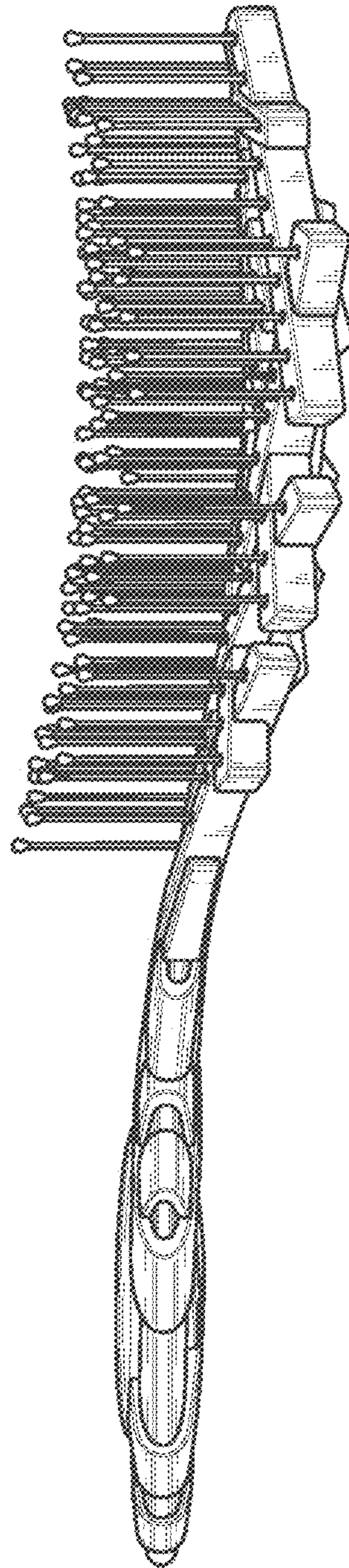


Fig. 4

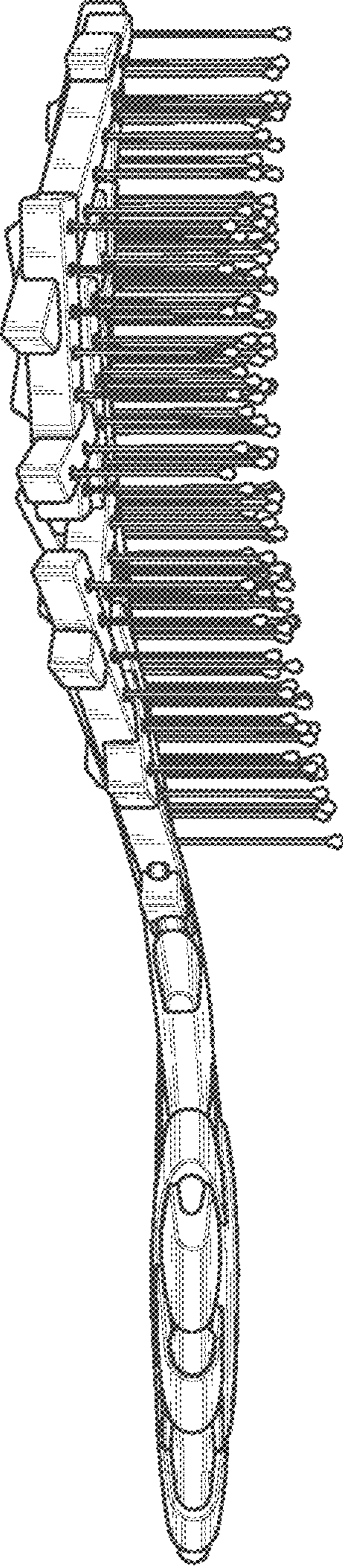


Fig. 5

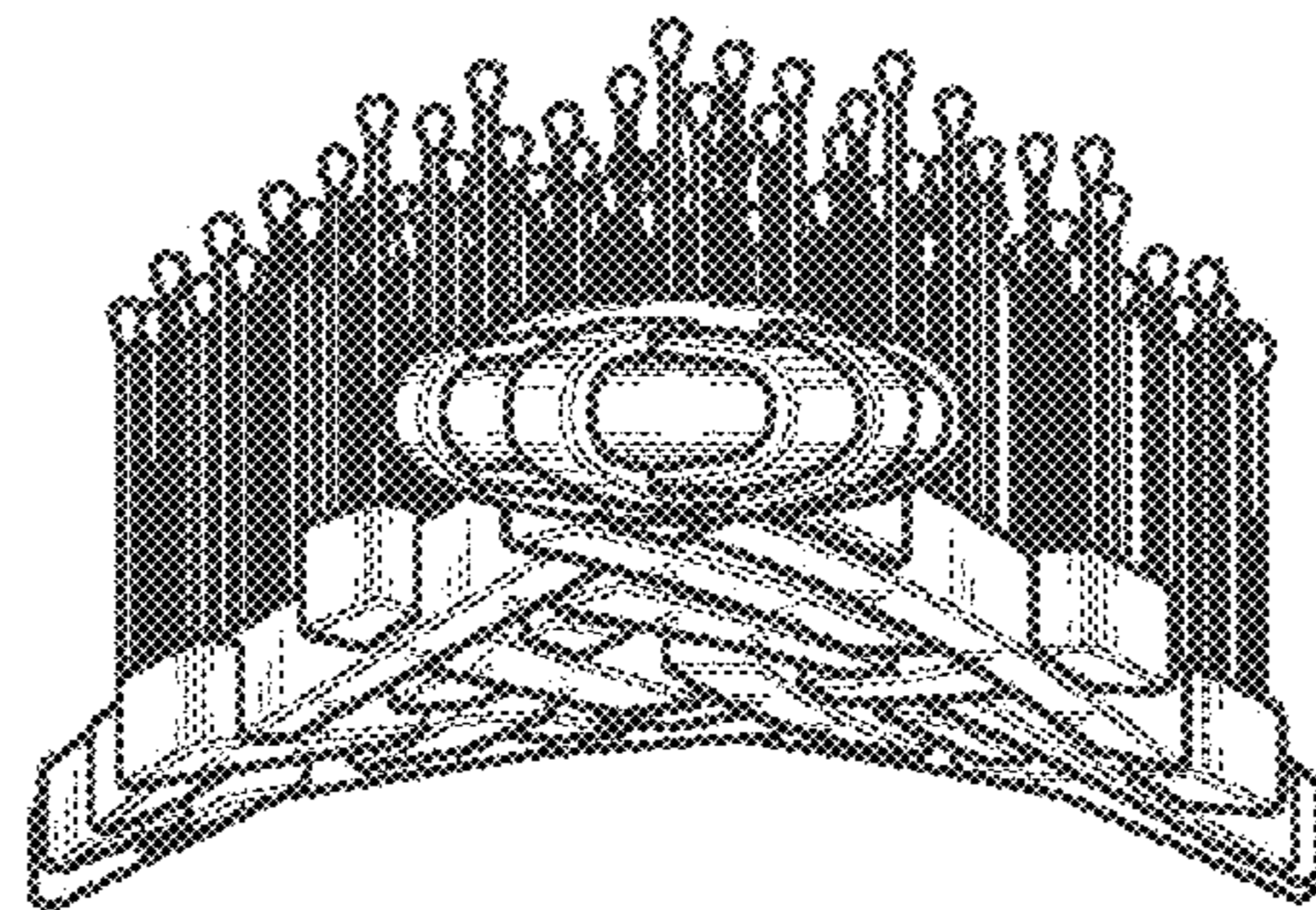


Fig. 6

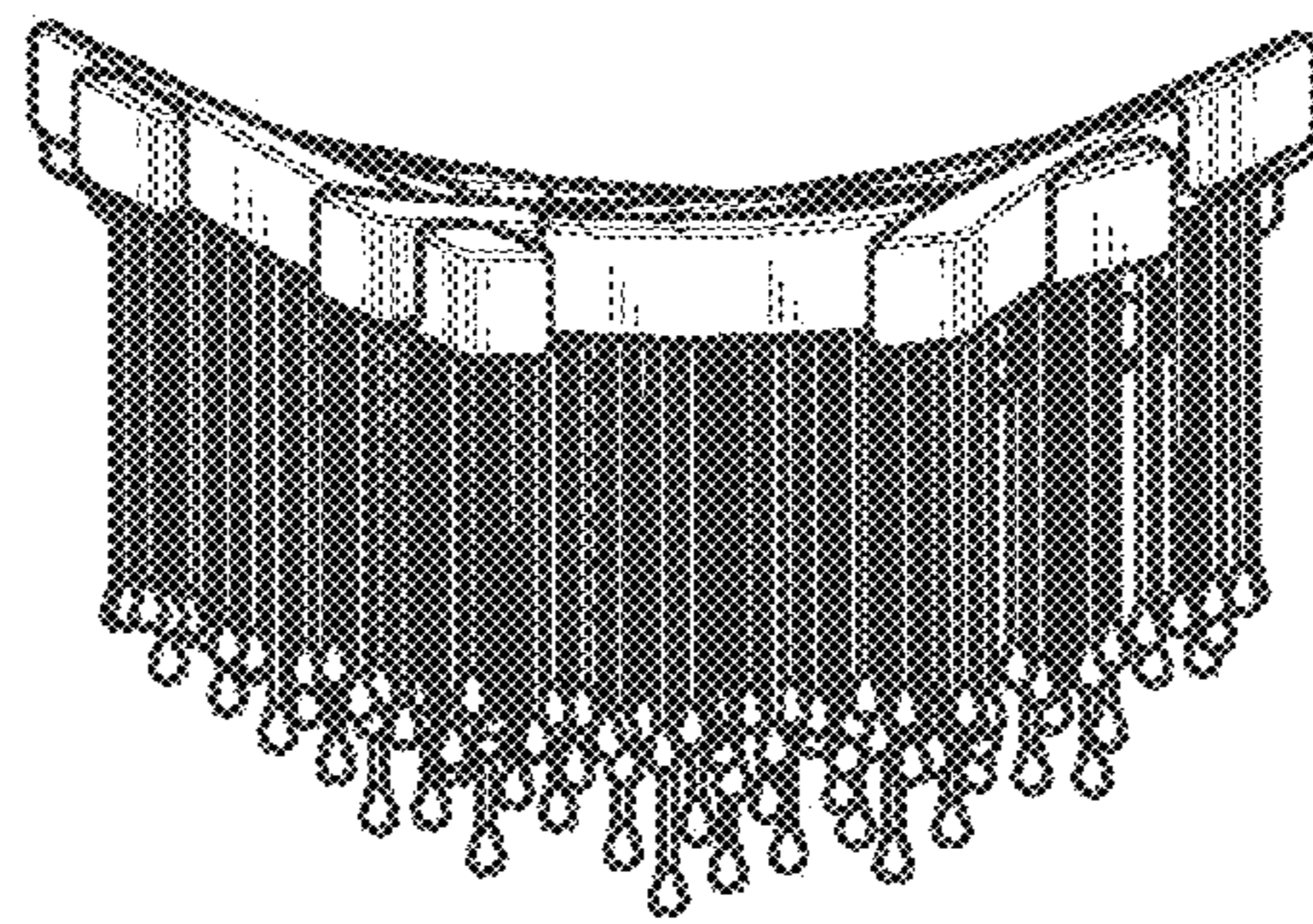


Fig. 7