



US00D988725S

(12) **United States Design Patent**
Zhang

(10) **Patent No.:** **US D988,725 S**
(45) **Date of Patent:** **** Jun. 13, 2023**

(54) **TOOTHBRUSH**

(71) Applicant: **Hui Zhang**, Ningbo (CN)

(72) Inventor: **Hui Zhang**, Ningbo (CN)

(**) Term: **15 Years**

(21) Appl. No.: **29/764,800**

(22) Filed: **Jan. 3, 2021**

(30) **Foreign Application Priority Data**

Dec. 14, 2020 (CN) 202030768234.7

(51) **LOC (14) Cl.** **04-02**

(52) **U.S. Cl.**
USPC **D4/110**

(58) **Field of Classification Search**
USPC D4/100, 101, 104, 105, 106, 108, 113,
D4/114

CPC A46B 2200/1066; A46B 2200/1086; A46B
9/04; A46B 9/045; A46B 9/026; A46B
5/0095; A46B 7/04; A46B 7/06

See application file for complete search history.

(56) **References Cited**

U.S. PATENT DOCUMENTS

2,317,485 A * 4/1943 Rider A46D 1/0261
401/268
D278,002 S * 3/1985 Swope, Jr. D4/114
D315,448 S * 3/1991 Ambasz D4/104
D340,808 S * 11/1993 Sherman D4/104
D379,268 S * 5/1997 Chemtob D4/104

(Continued)

FOREIGN PATENT DOCUMENTS

CN 307332741 * 5/2022
CN 307373867 * 5/2022

(Continued)

OTHER PUBLICATIONS

Curapox, announced 2014 [online], [site visited Dec. 8, 2022]. Avail from int, URL: https://www.amazon.com/Curaprox-5460-Ultrasoft-Toothbrush-Pack/dp/B004W6PAJE/ref=sr_1_17 (Year: 2014).*

Primary Examiner — Cynthia Ramirez
Assistant Examiner — Tamara L Hahn

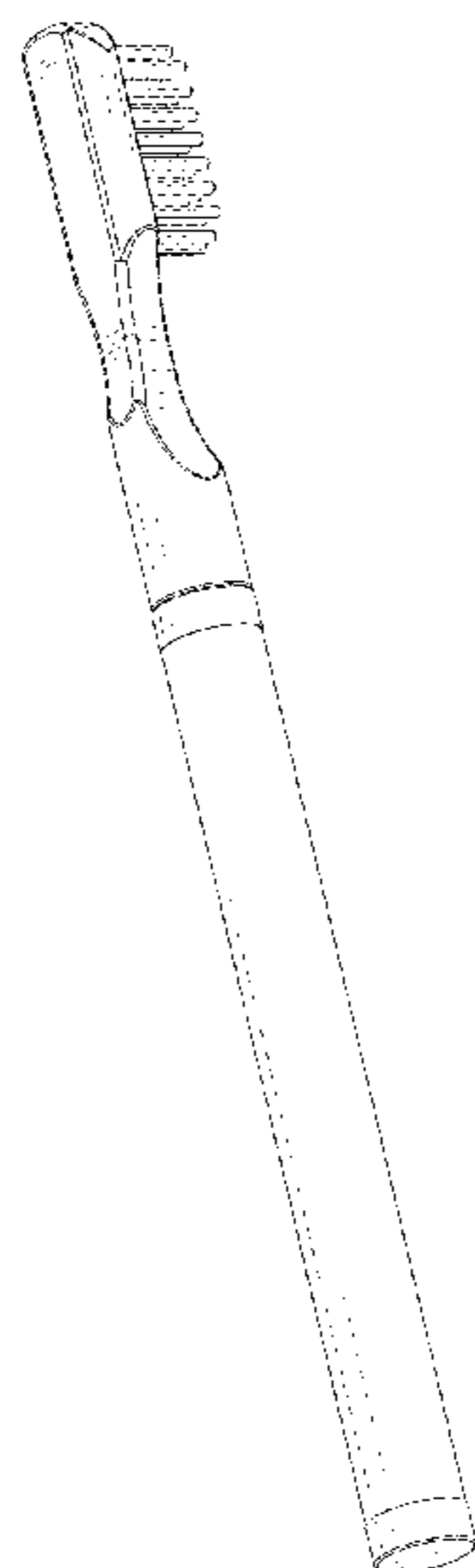
(57) **CLAIM**

The ornamental design for a toothbrush, as shown and described.

DESCRIPTION

FIG. 1 is a perspective view of a toothbrush showing my new design in an assembled state;
FIG. 2 is a front view of a toothbrush showing my new design in an assembled state;
FIG. 3 is a left view of a toothbrush showing my new design in an assembled state;
FIG. 4 is a right view of a toothbrush showing my new design in an assembled state;
FIG. 5 is an enlarged top view of a toothbrush showing my new design in an assembled state;
FIG. 6 is an enlarged bottom view of a toothbrush showing my new design in an assembled state;
FIG. 7 is a perspective view of a toothbrush showing my new design in a disassembled state;
FIG. 8 is a front view of a toothbrush showing my new design in a disassembled state;
FIG. 9 is a left view of a toothbrush showing my new design in a disassembled state;
FIG. 10 is a right view of a toothbrush showing my new design in a disassembled state;
FIG. 11 is an enlarged top view of a toothbrush showing my new design in a disassembled state; and,
FIG. 12 is an enlarged bottom view of a toothbrush showing my new design in a disassembled state.
The broken lines in the figures depict portions of the toothbrush that form no part of the claimed design.

1 Claim, 10 Drawing Sheets



(56)

References Cited

U.S. PATENT DOCUMENTS

D402,120 S * 12/1998 Ganci D4/108
D413,204 S * 8/1999 Mitchell D4/114
7,743,452 B1 * 6/2010 Tcholakov A46B 15/0002
15/201
D806,397 S * 1/2018 Xi D4/110
D957,824 S * 7/2022 Park D4/108
2002/0114658 A1 * 8/2002 Allen A46B 11/0037
401/176
2016/0135578 A1 * 5/2016 Tschol A46B 9/04
15/167.1

FOREIGN PATENT DOCUMENTS

CN 307439608 * 7/2022
CN 307552470 * 9/2022
CN D1723908 * 9/2022

* cited by examiner

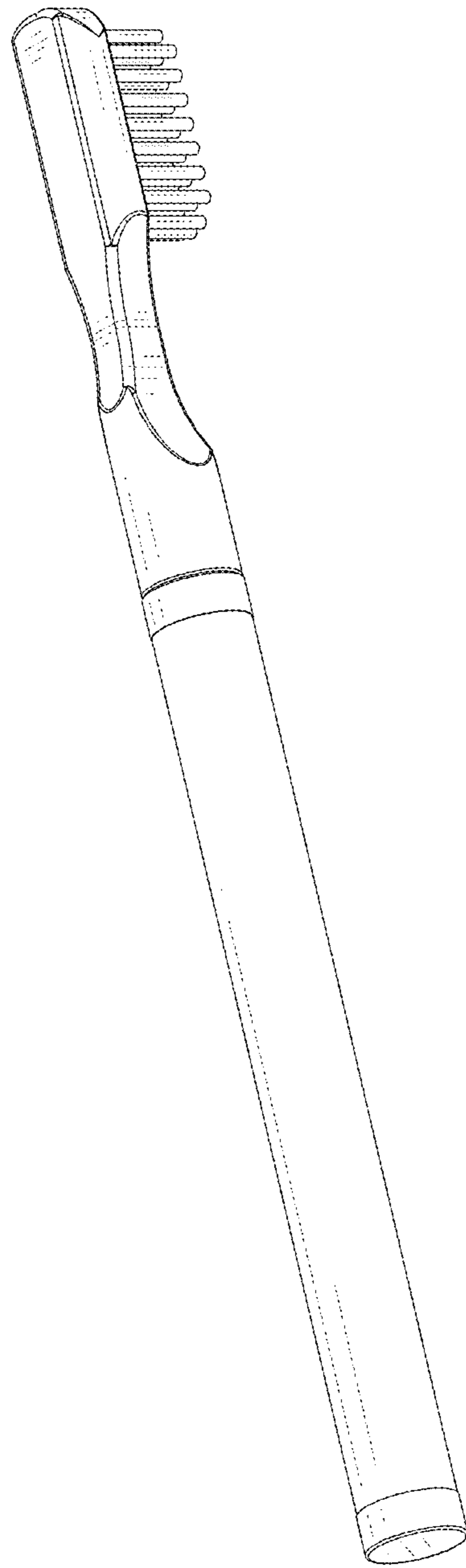


FIG. 1

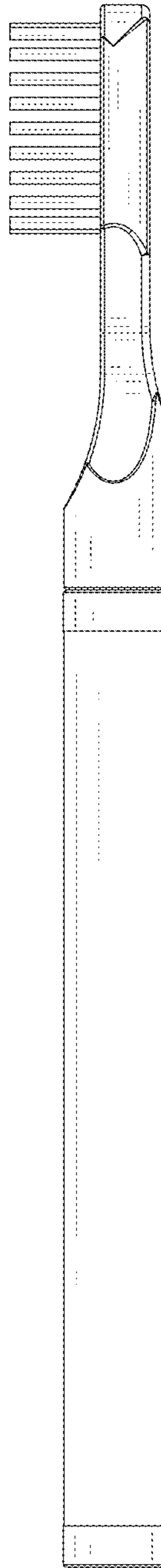


FIG. 2

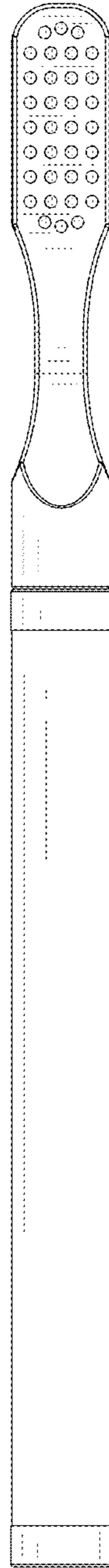


FIG. 3

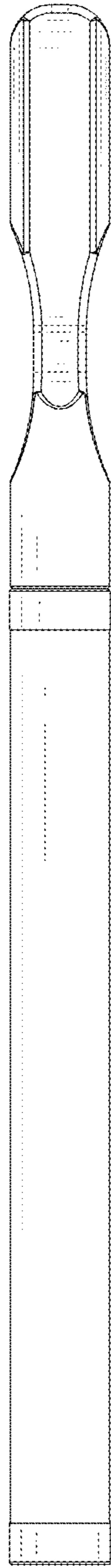


FIG. 4

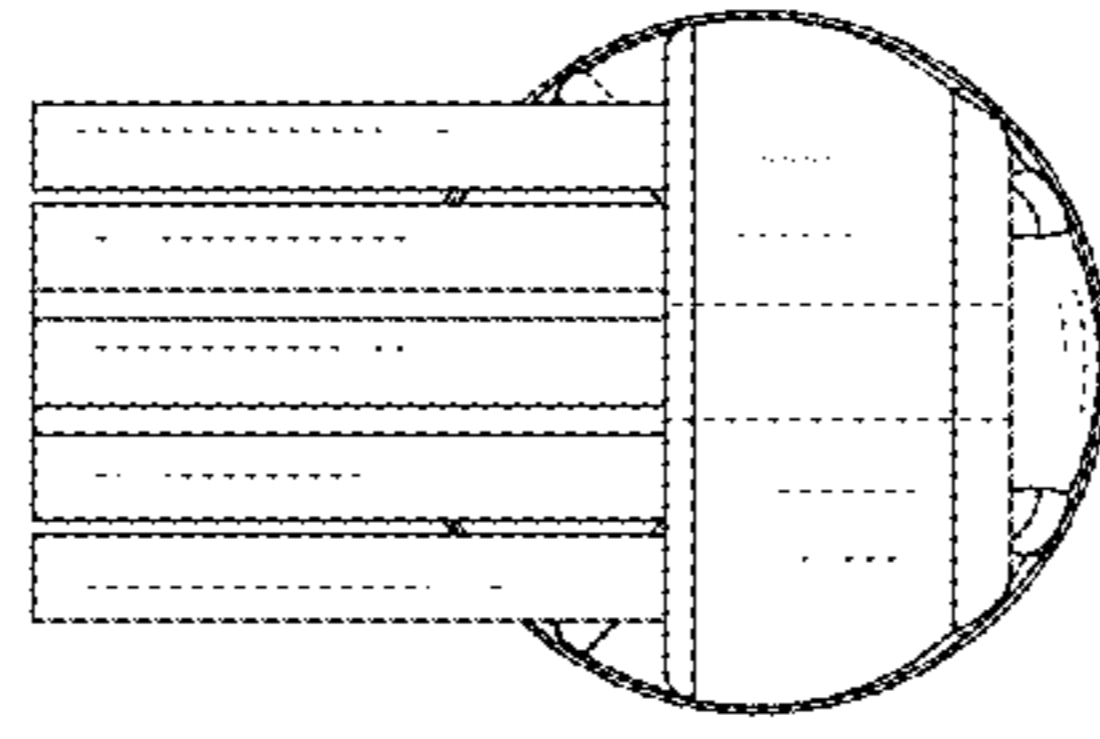


FIG. 5

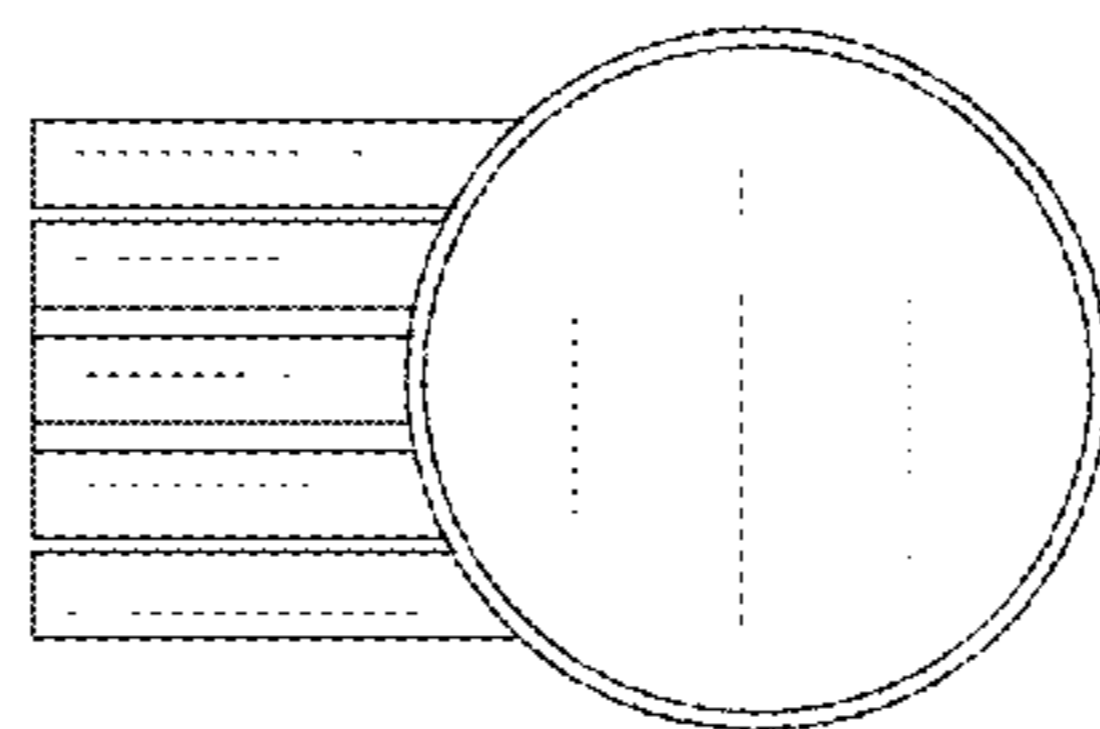


FIG. 6

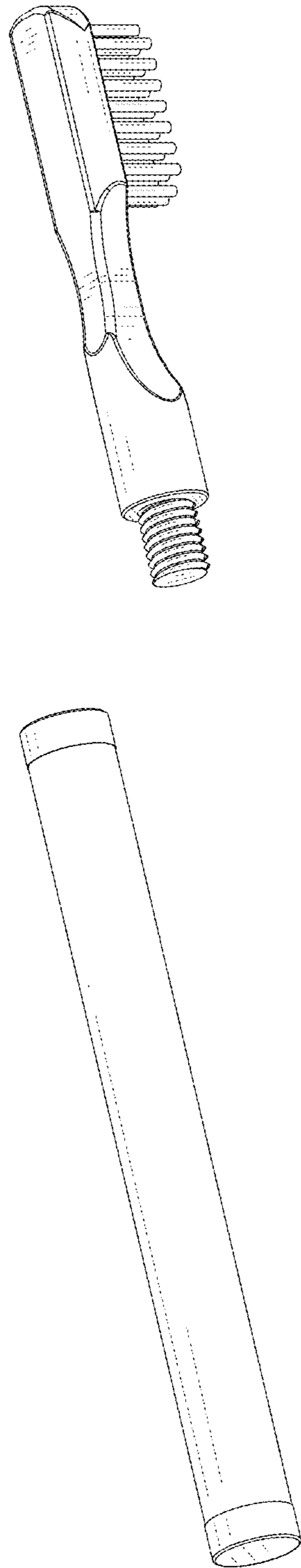


FIG. 7

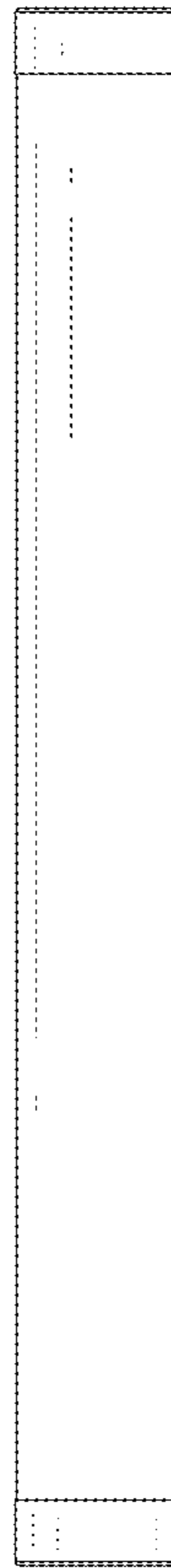
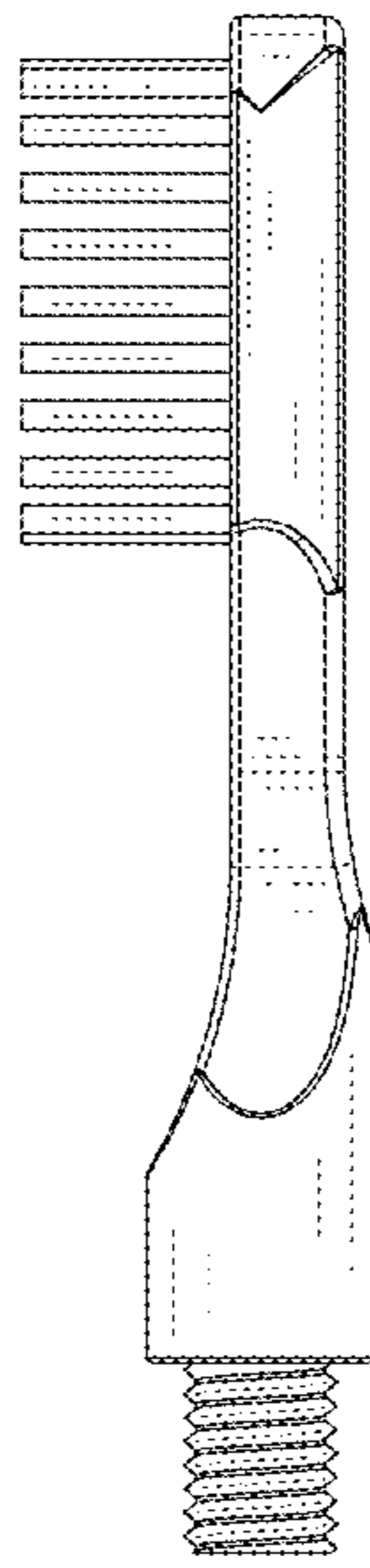


FIG. 8

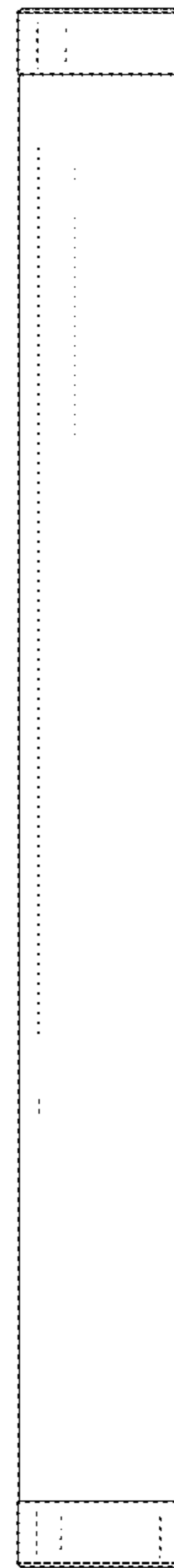
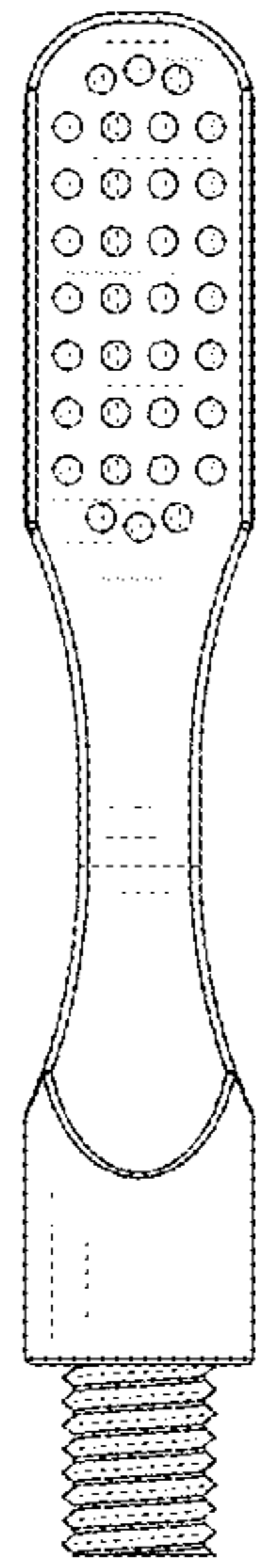


FIG. 9

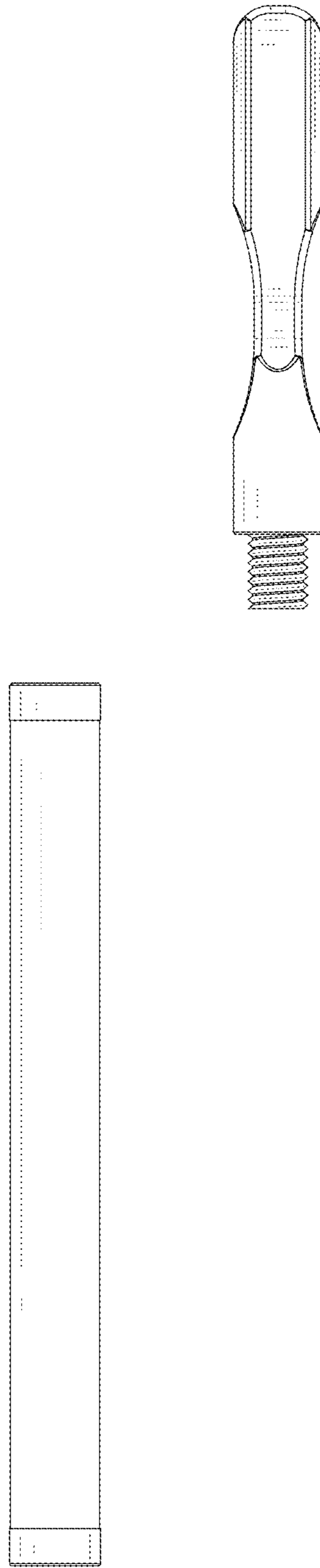


FIG. 10

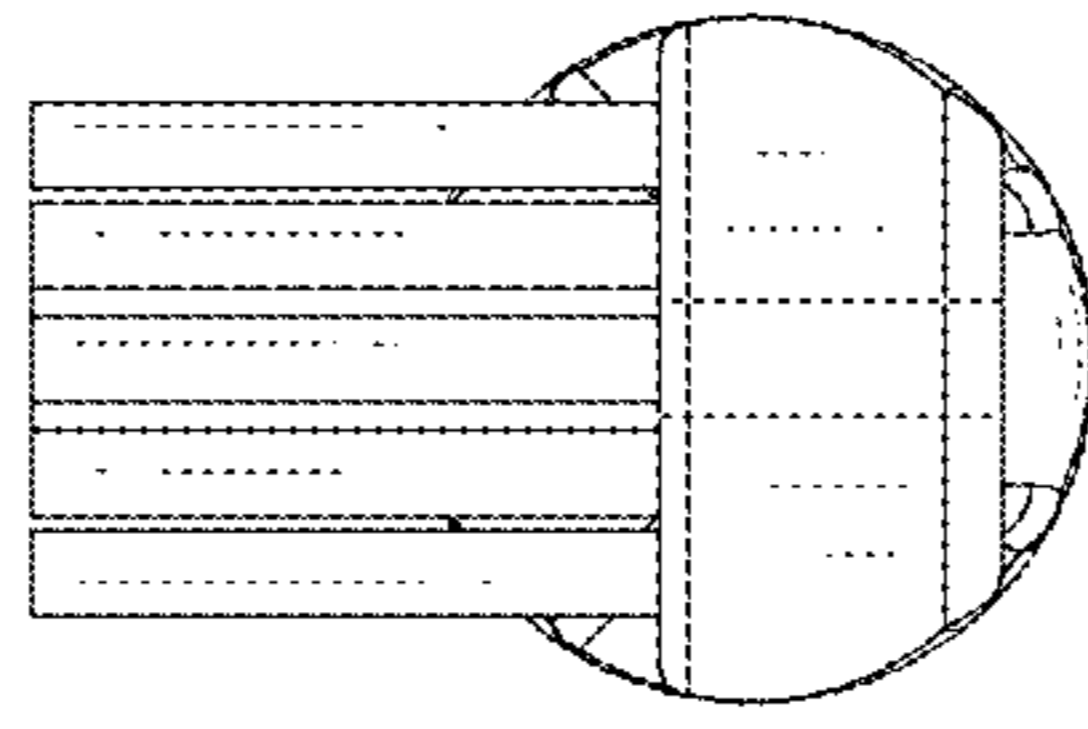


FIG. 11

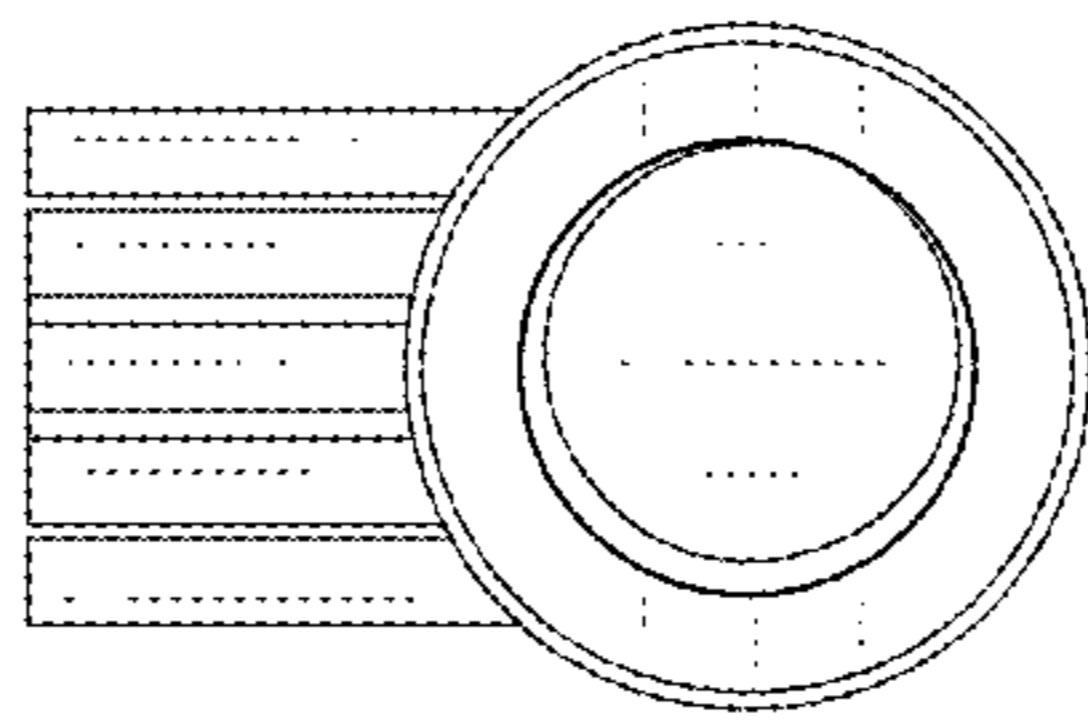
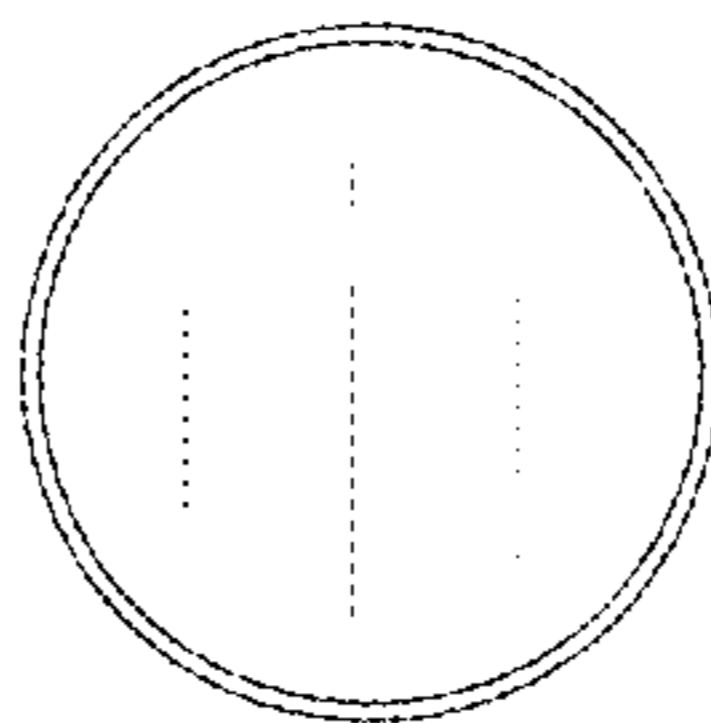
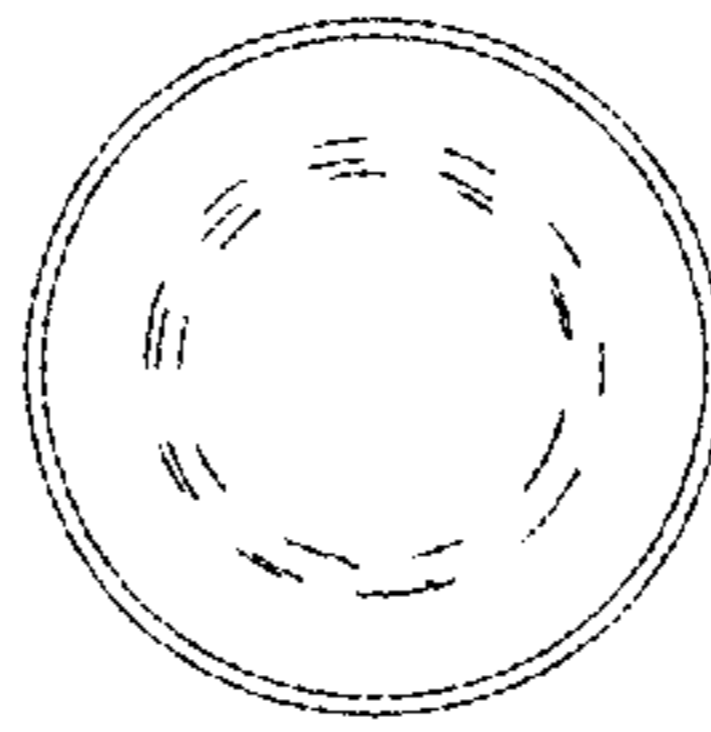


FIG. 12