



US00D988723S

(12) **United States Design Patent** (10) **Patent No.:** **US D988,723 S**
Wolfram (45) **Date of Patent:** **** *Jun. 13, 2023**

(54) **SUITCASE**
(71) Applicant: **Galton Voysey, Ltd**, Lai Chi Kok
Kowloon (HK)
(72) Inventor: **William Wolfram**, Lai Chi Kok
Kowloon (HK)
(73) Assignee: **Galton Voysey, Ltd**, Lai Chi Kok
Kowloon (HK)

D287,429 S * 12/1986 Esslinger D3/292
D457,724 S * 5/2002 Och D3/273
D644,435 S * 9/2011 Weng D3/279
D711,104 S * 8/2014 Lai D3/279
D711,646 S * 8/2014 Ke D3/279
D712,143 S * 9/2014 Chehebar D3/289

(Continued)

FOREIGN PATENT DOCUMENTS

CN 306789944 * 8/2021
EM 002917799-0001 * 1/2016
EM 008334247-0001 * 1/2021

(*) Notice: This patent is subject to a terminal disclaimer.

(**) Term: **15 Years**

(21) Appl. No.: **29/729,547**

(22) Filed: **Mar. 27, 2020**

(51) **LOC (14) Cl.** **03-01**

(52) **U.S. Cl.**
USPC **D3/279**

(58) **Field of Classification Search**
USPC D3/203.1–203.2, 203.5–203.6, 206, 254,
D3/263, 267–268, 272–273, 276, 279,
D3/281–290, 294, 299, 301, 303,
D3/318–319, 321, 327, 902
CPC .. A45C 1/024; A45C 3/00; A45C 3/02; A45C
2003/007; A45C 2003/008; A45C 5/00;
A45C 5/02; A45C 5/03; A45C 5/04;
A45C 5/06; A45C 5/14; A45C 5/005;
A45C 2005/032; A45C 2005/035; A45C
2005/037; A45C 2005/142; A45C
2005/148; A45C 7/00; A45C 7/0018;
A45C 7/0036; A45C 2011/003; A45C
13/02; A45C 13/28; A45C 13/36; A45C
13/385

See application file for complete search history.

(56) **References Cited**

U.S. PATENT DOCUMENTS

D82,596 S * 11/1930 Apter D3/272
D285,626 S * 9/1986 Yen D3/292

OTHER PUBLICATIONS

TravelKing Multi-size All Aluminum Hard Shell Luggage., available from Jul. 18, 2019 based on customer photo review, amazon.com [online], [site visited Oct. 29, 2021], Available at URL: <https://www.amazon.com/dp/B07CJ5K7CG/> (Year: 2019).*

(Continued)

Primary Examiner — Michelle E. Wilson

Assistant Examiner — Caitlin A Laverty

(74) *Attorney, Agent, or Firm* — Haug Partners LLP

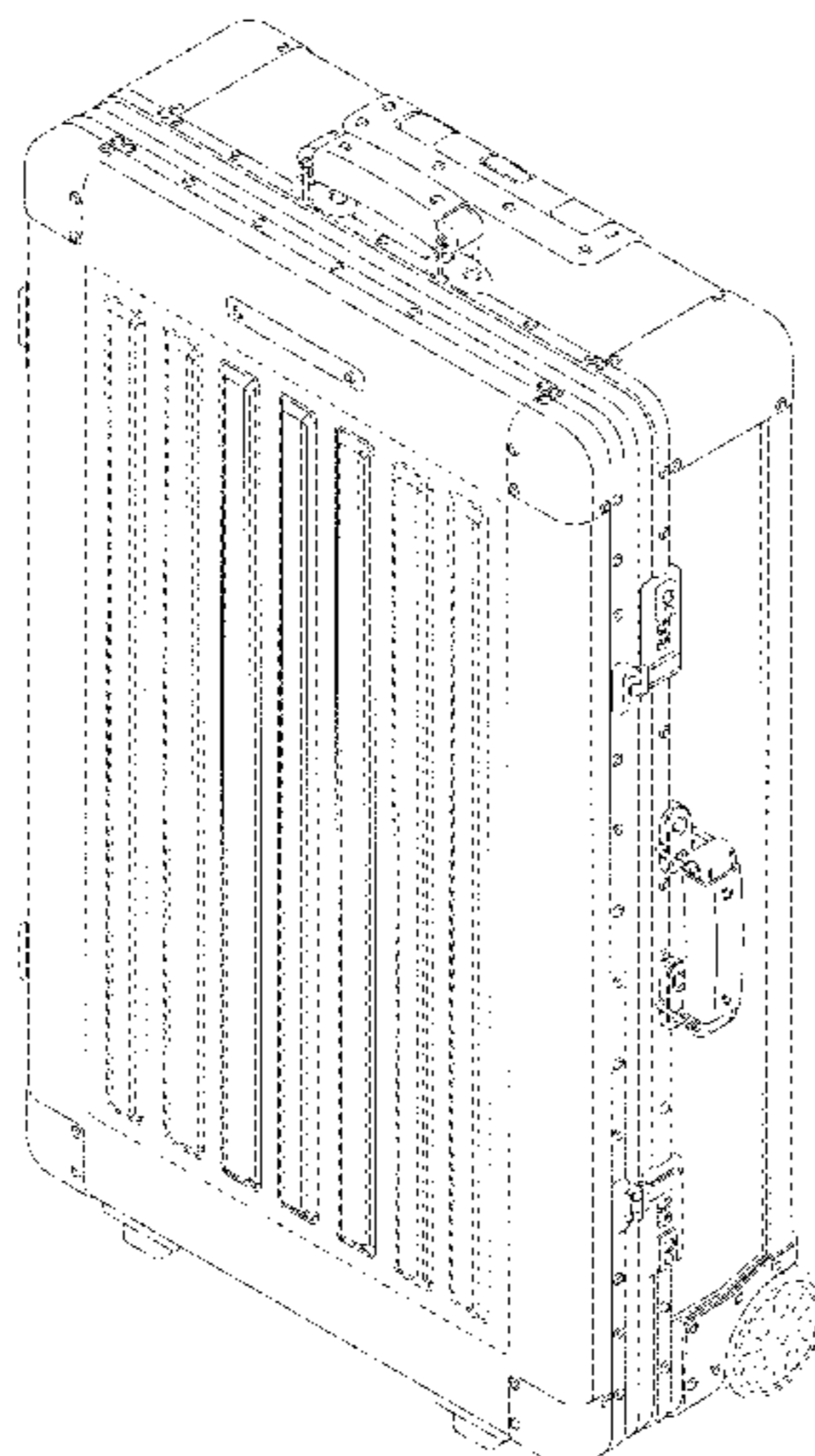
(57) **CLAIM**

The ornamental design for a suitcase, as shown and described.

DESCRIPTION

FIG. 1 is a front perspective view of a suitcase showing my new design;
FIG. 2 is a rear perspective view thereof;
FIG. 3 is a rear side view thereof;
FIG. 4 is a front side view thereof;
FIG. 5 is a left side view thereof;
FIG. 6 is a right side view thereof;
FIG. 7 is a top side view thereof; and,
FIG. 8 is a bottom side view thereof.
The broken lines show portions of the suitcase which form no part of the claimed design.

1 Claim, 6 Drawing Sheets



(56)

References Cited

U.S. PATENT DOCUMENTS

D791,477 S *	7/2017	Liu	D3/279
D805,772 S *	12/2017	Oshima	D3/279
D824,169 S *	7/2018	Guo	D3/279
D873,024 S *	1/2020	Usui	D3/321
D882,267 S *	4/2020	Prommel	D3/318
D882,948 S *	5/2020	Xu	D3/279
D915,767 S *	4/2021	Moon	D3/279
D920,669 S *	6/2021	Tu	D3/279
D947,537 S *	4/2022	Wu	D3/321
D954,436 S *	6/2022	Nichols	D3/279
2022/0248820 A1 *	8/2022	Dauchin	A45C 5/14

OTHER PUBLICATIONS

Facebook User Sterling Pacific, photo posted Mar. 25, 2021, facebook.com [online], [site visited Oct. 29, 2021], Available at URL: <https://www.facebook.com/sterlingpacific1907/photos/a.539641989858176/1051970721958631/?type=3&theater>(Year: 2021).*

80L Check-In Travel Case, unknown first available date, sterlingpacific.com [online], [site visited Oct. 29, 2021], Available at URL: <https://sterlingpacific.com/products/sterling-pacific-80l-check-in-travel-case> (Year: 2021).*

* cited by examiner

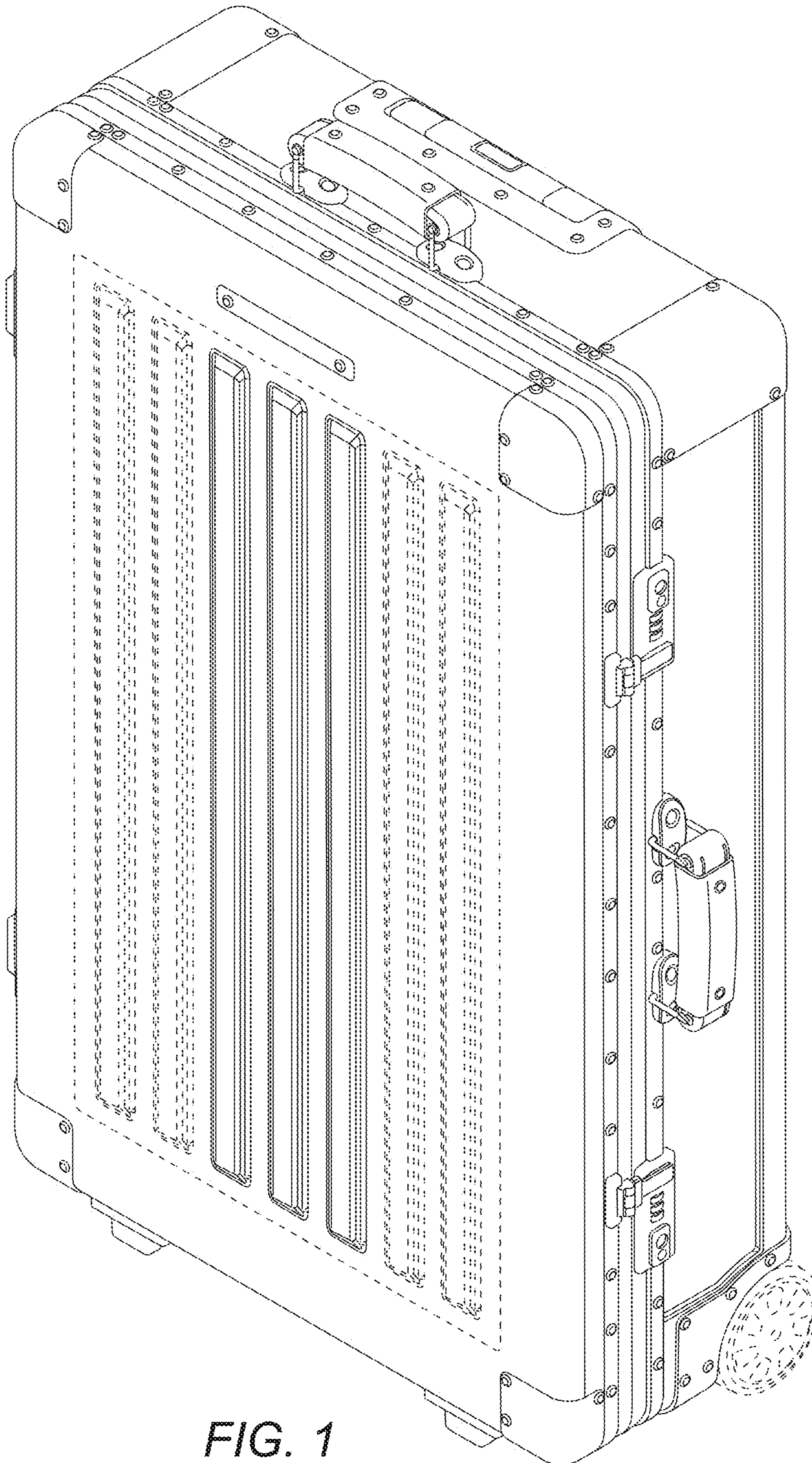


FIG. 1

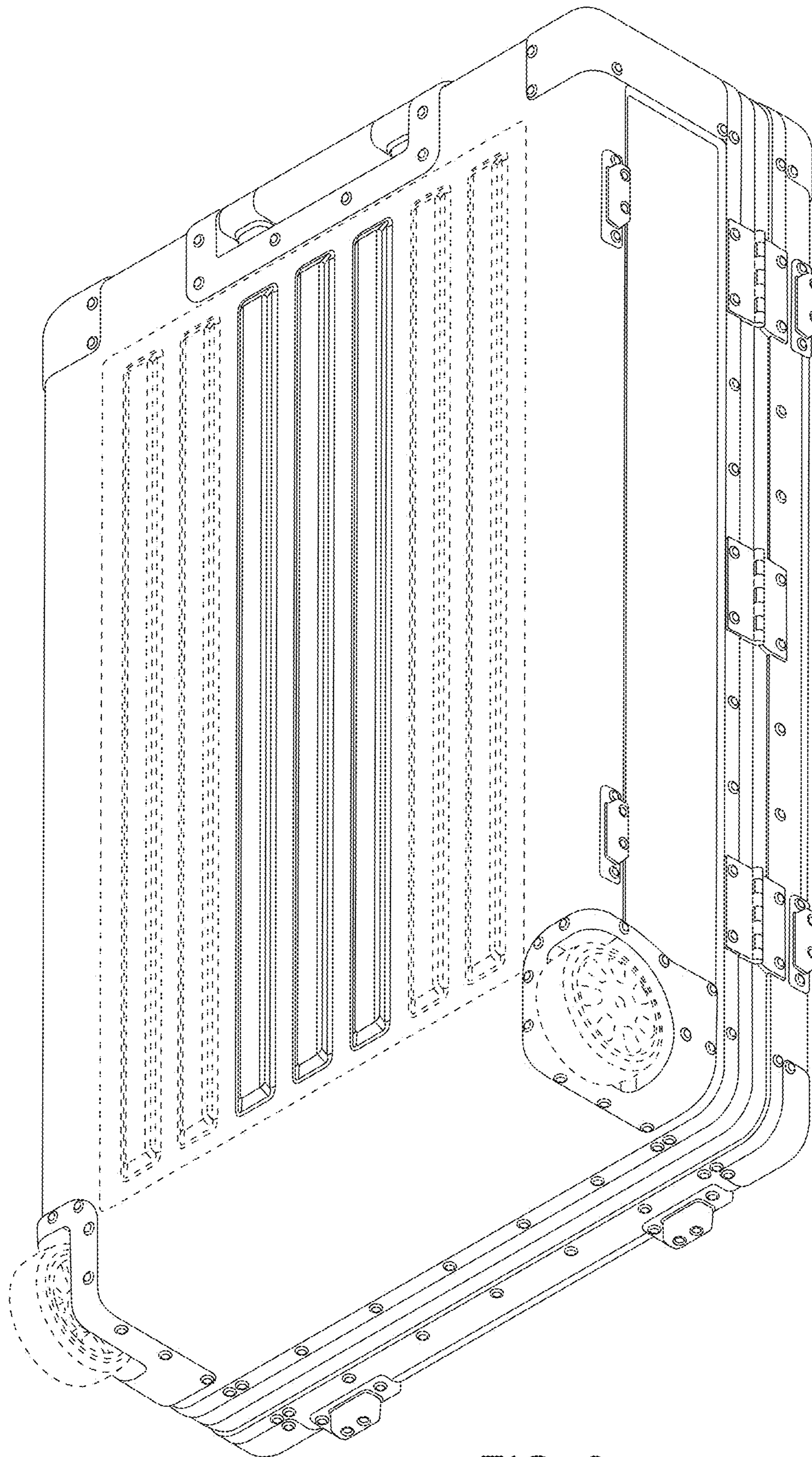


FIG. 2

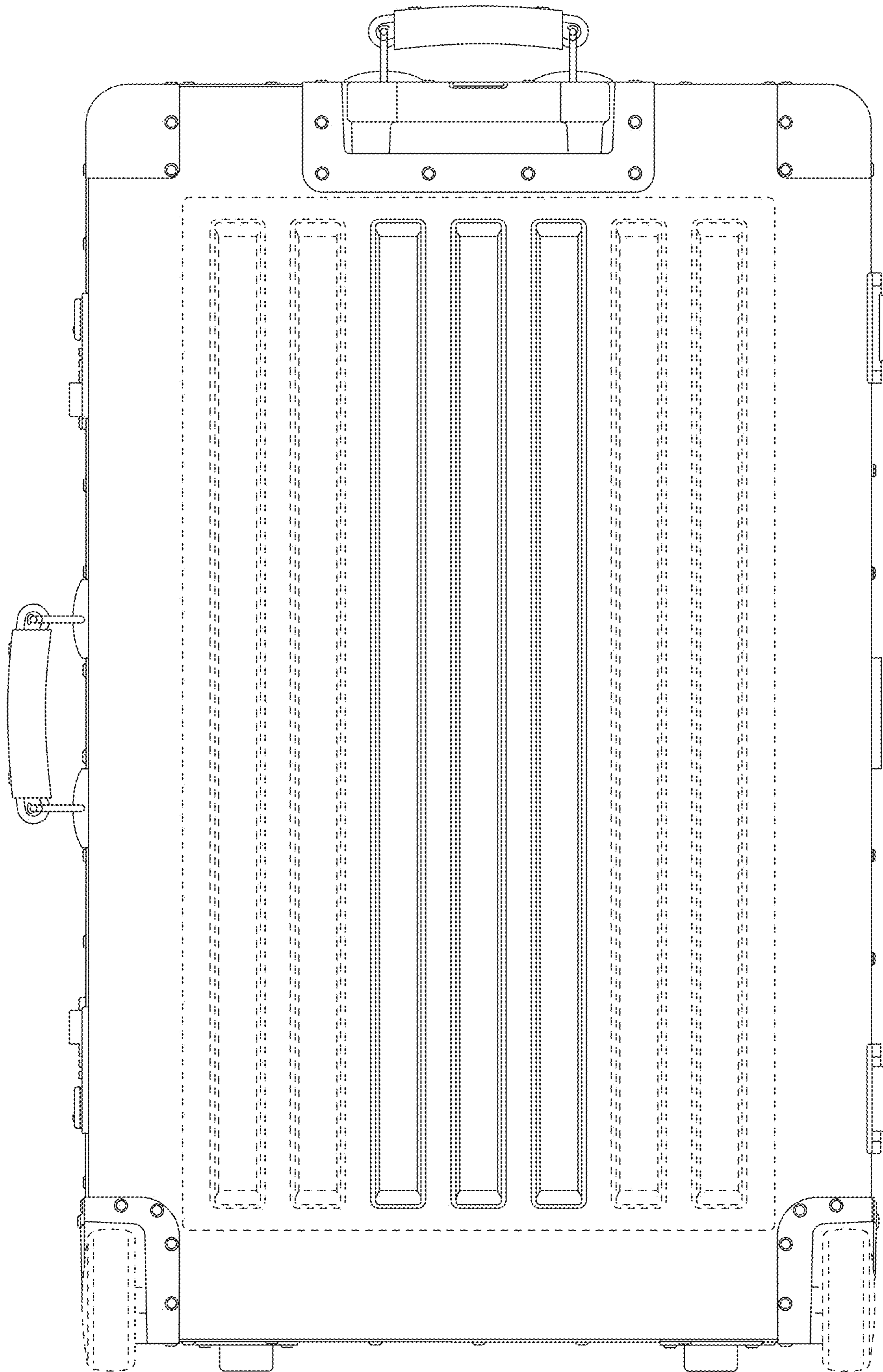


FIG. 3

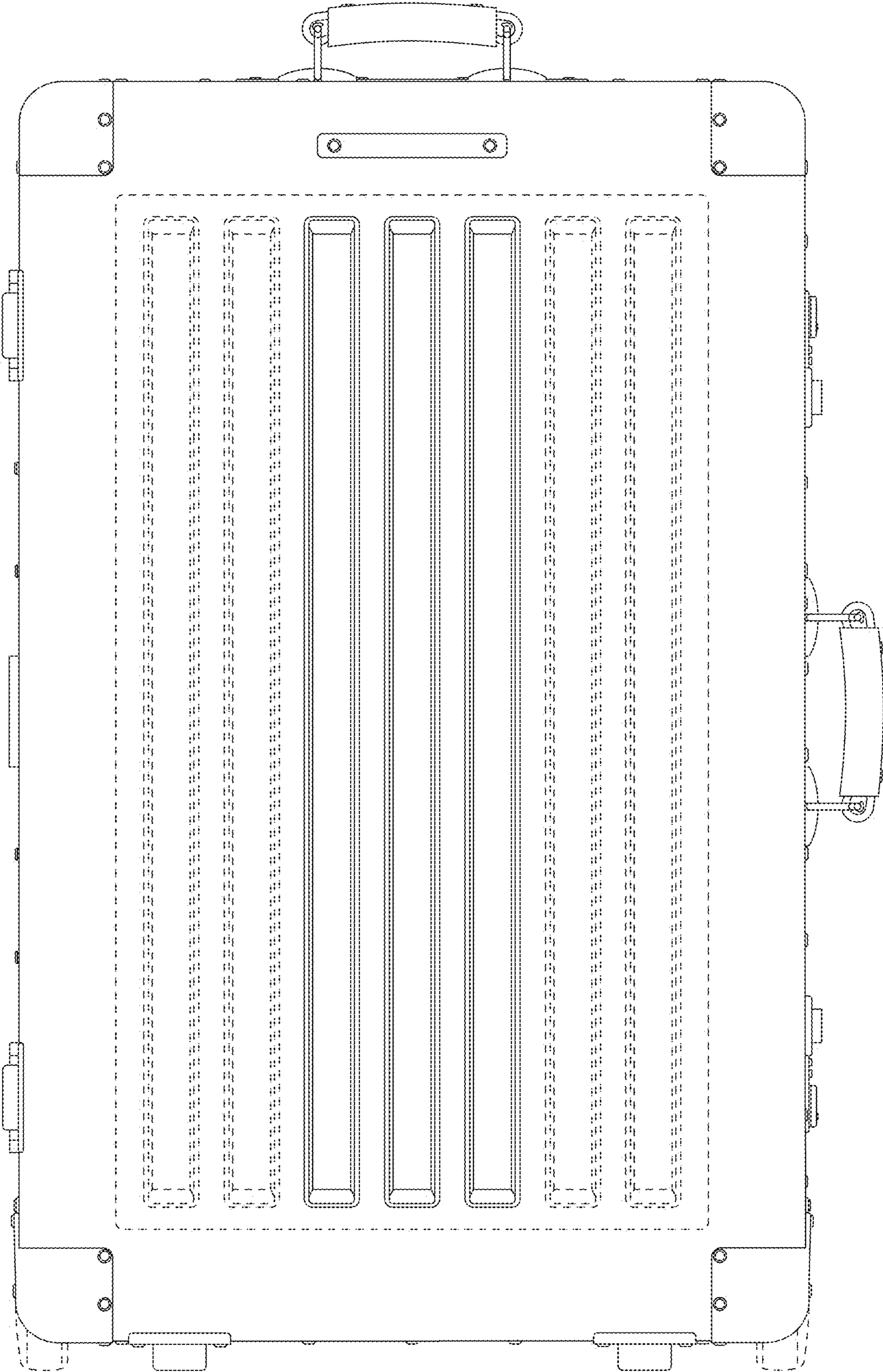


FIG. 4

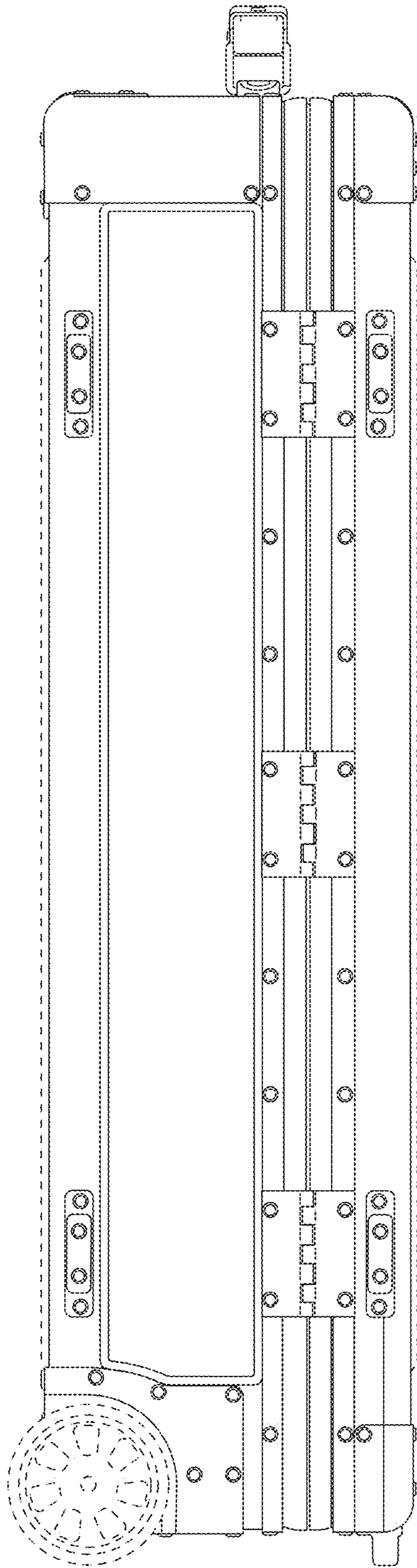


FIG. 5

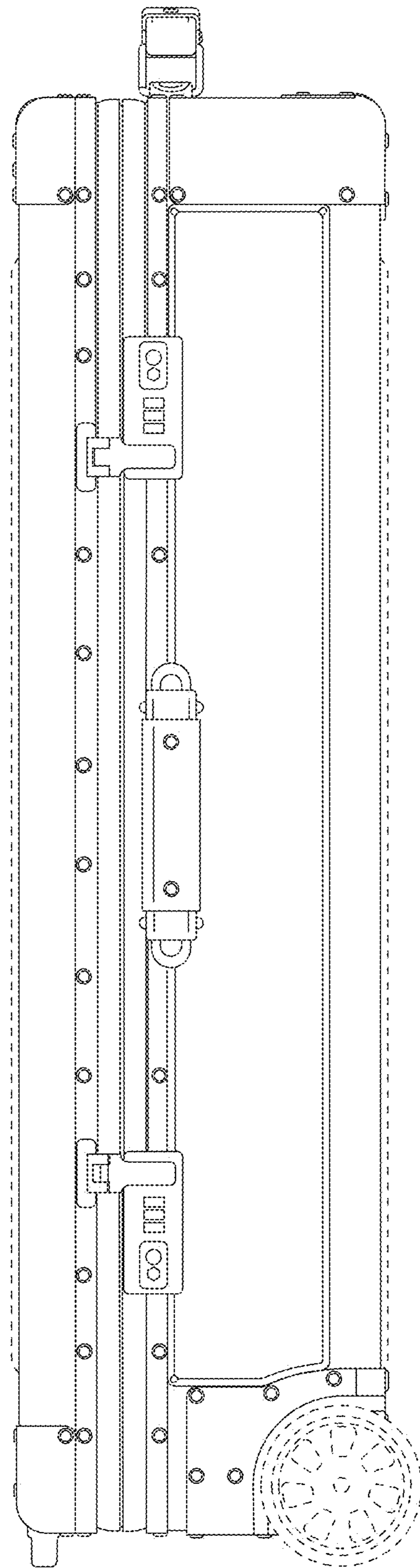


FIG. 6

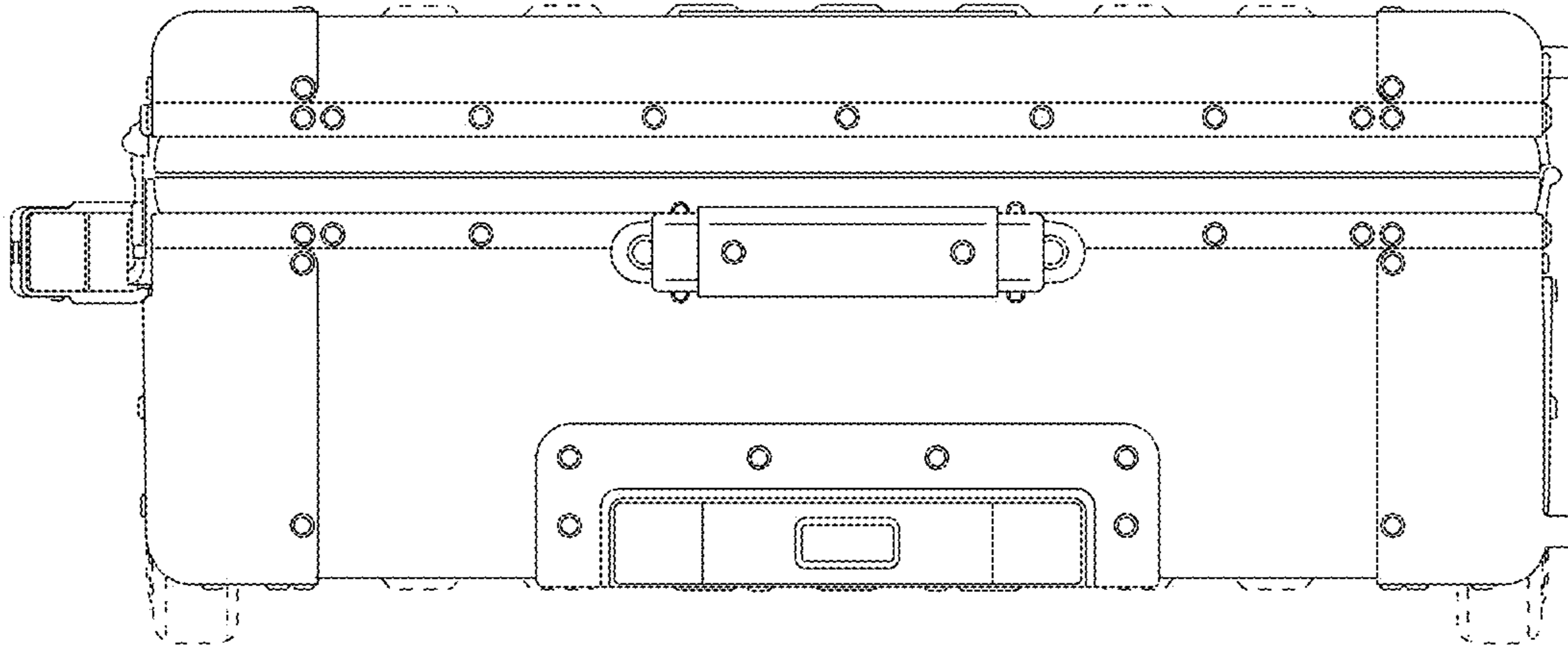


FIG. 7

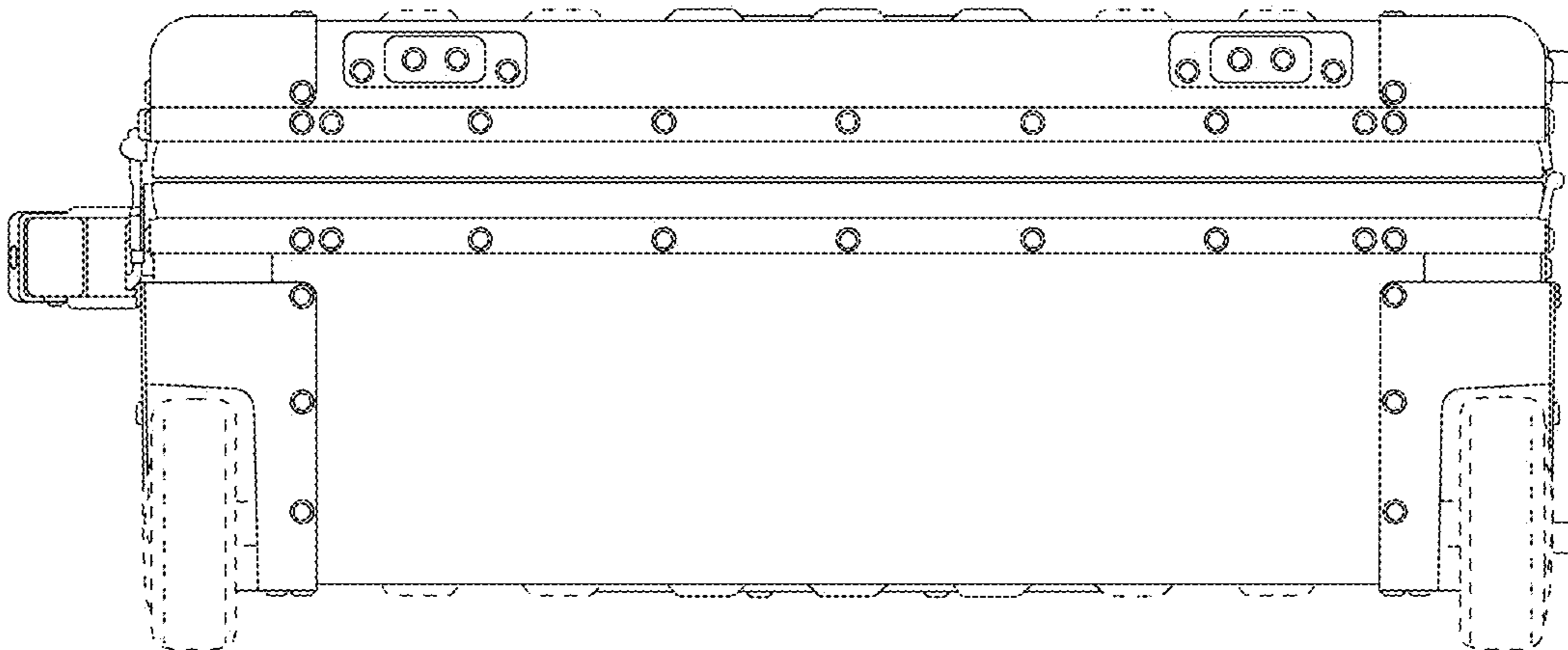


FIG. 8