



US00D988722S

(12) **United States Design Patent**  
**Adin et al.**

(10) **Patent No.:** **US D988,722 S**  
(45) **Date of Patent:** **\*\* Jun. 13, 2023**

- (54) **TOTE**
- (71) Applicant: **The Stanley Works Israel Ltd.**, Rosh Ha' Ayin (IL)
- (72) Inventors: **Lev Adin**, Rehovot (IL); **Noam Twig**, Petach Tikva (IL); **Sharon' Bar-Erez**, Gan Yehoshia (IL)
- (73) Assignee: **The Stanley Works Israel Ltd.**, Rosh Ha' Ayin (IL)
- (\*\*) Term: **15 Years**
- (21) Appl. No.: **29/740,045**
- (22) Filed: **Jun. 30, 2020**
- (51) **LOC (14) Cl.** ..... **03-01**
- (52) **U.S. Cl.**  
USPC ..... **D3/307**
- (58) **Field of Classification Search**  
USPC ..... D6/672, 675, 678, 678.1, 682; D3/304, D3/307, 308, 314-315, 328; D34/12, 24, D34/26  
CPC ..... B65D 1/22; B65D 21/0209; B65D 85/00; B62B 2206/006; B62B 2202/12; B62B 1/00; B62B 5/0083  
See application file for complete search history.

(56) **References Cited**  
U.S. PATENT DOCUMENTS

|               |         |          |       |                        |
|---------------|---------|----------|-------|------------------------|
| D320,879 S *  | 10/1991 | Tsai     | ..... | D34/26                 |
| 6,036,203 A * | 3/2000  | Tyus     | ..... | B25H 3/00<br>280/47.26 |
| D466,267 S *  | 11/2002 | Lee      | ..... | D34/24                 |
| D480,527 S *  | 10/2003 | Kollen   | ..... | D34/21                 |
| D701,696 S *  | 4/2014  | Shitrit  | ..... | D3/279                 |
| D708,411 S *  | 7/2014  | Schnautz | ..... | D34/14                 |
| D743,171 S *  | 11/2015 | Reinhart | ..... | D3/304                 |

|                   |         |             |       |                         |
|-------------------|---------|-------------|-------|-------------------------|
| D802,241 S *      | 11/2017 | Hlavac      | ..... | D34/24                  |
| D810,380 S *      | 2/2018  | Sommerfield | ..... | D34/21                  |
| D826,510 S *      | 8/2018  | Brunner     | ..... | D34/24                  |
| D844,325 S *      | 4/2019  | Nelson      | ..... | D3/279                  |
| D884,303 S *      | 5/2020  | Petrovich   | ..... | D34/21                  |
| D904,714 S *      | 12/2020 | Franks      | ..... | D34/12                  |
| D904,716 S *      | 12/2020 | Shen        | ..... | D34/19                  |
| D905,368 S *      | 12/2020 | Manning     | ..... | D34/12                  |
| D905,369 S *      | 12/2020 | Herring     | ..... | D34/26                  |
| D909,701 S *      | 2/2021  | Diaz, III   | ..... | D34/20                  |
| D919,920 S *      | 5/2021  | Kasner      | ..... | D34/24                  |
| 2004/0061298 A1 * | 4/2004  | Sandoval    | ..... | B62B 1/142<br>280/47.27 |
| 2014/0035262 A1 * | 2/2014  | White       | ..... | B62B 5/067<br>280/651   |
| 2019/0168792 A1 * | 6/2019  | Bacallao    | ..... | G07G 1/0081             |
| 2019/0272399 A1 * | 9/2019  | Iizaka      | ..... | G06K 7/1413             |
| 2020/0262459 A1 * | 8/2020  | Brunner     | ..... | B62B 5/067              |
| 2021/0206410 A1 * | 7/2021  | Wolle       | ..... | B62B 1/12               |

\* cited by examiner

*Primary Examiner* — Kelley A Donnelly  
(74) *Attorney, Agent, or Firm* — Bruce S. Shapiro

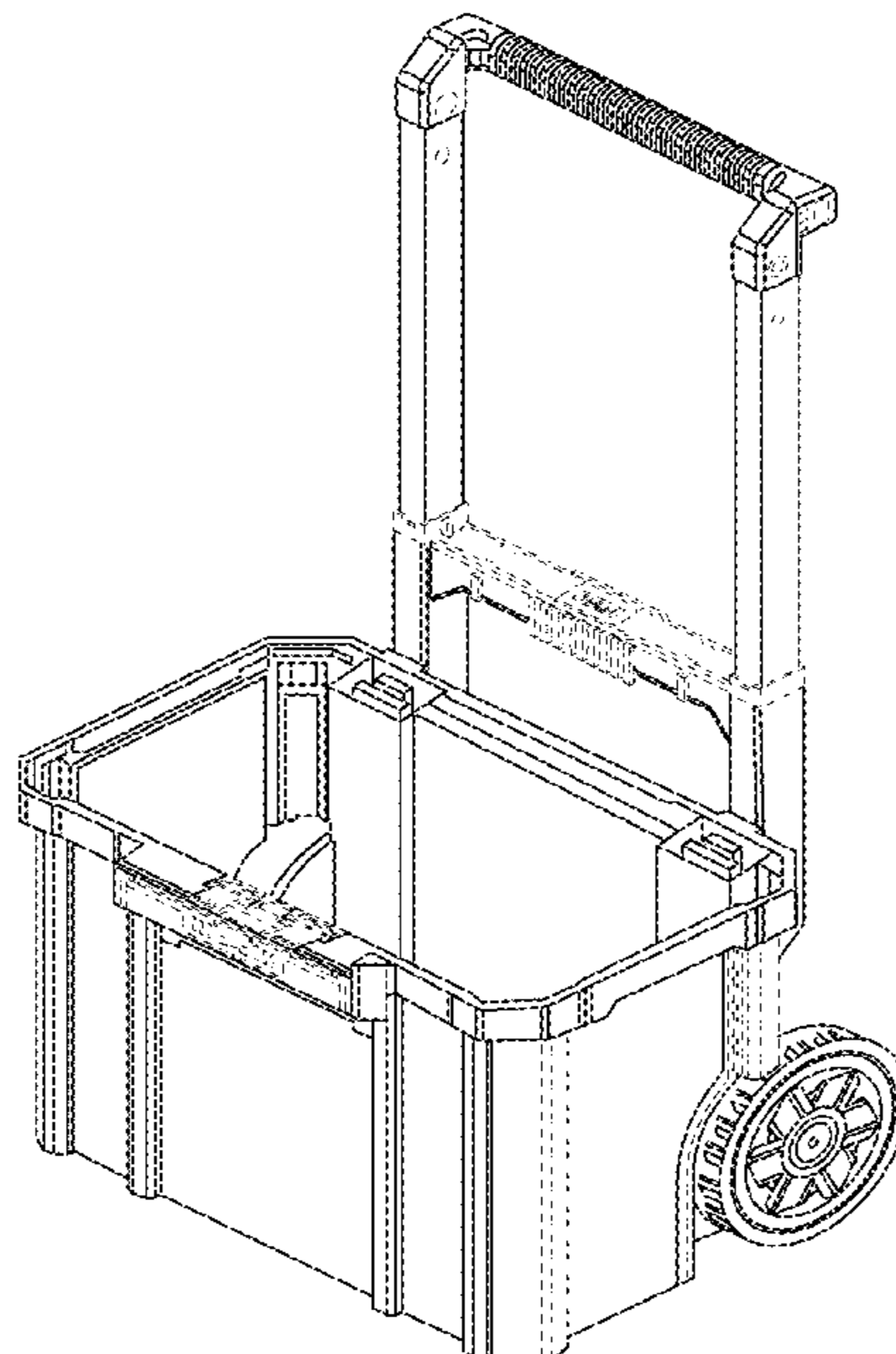
(57) **CLAIM**

The ornamental design for a tote, as shown and described.

**DESCRIPTION**

FIG. 1 is a perspective view of the front side of the new design;  
FIG. 2 is a plan view of the front side thereof;  
FIG. 3 is a plan view of the back side thereof;  
FIG. 4 is a plan view of the right side thereof;  
FIG. 5 is a plan view of the left side thereof;  
FIG. 6 is a plan view of the top side thereof; and,  
FIG. 7 is a plan view of the bottom side thereof.  
The broken lines illustrate portions of the tote and form no part of the claimed design.

**1 Claim, 7 Drawing Sheets**



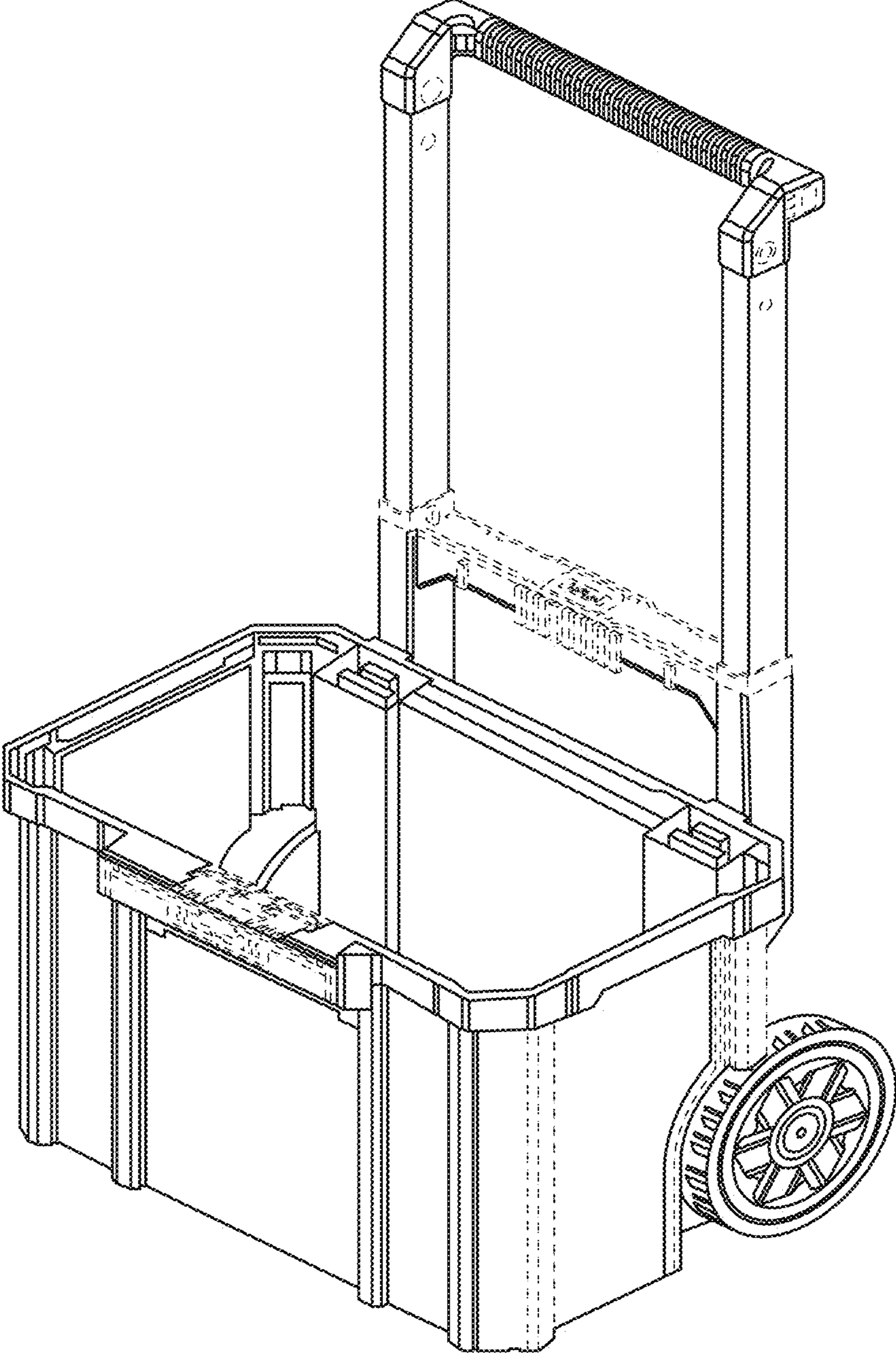


FIG. 1

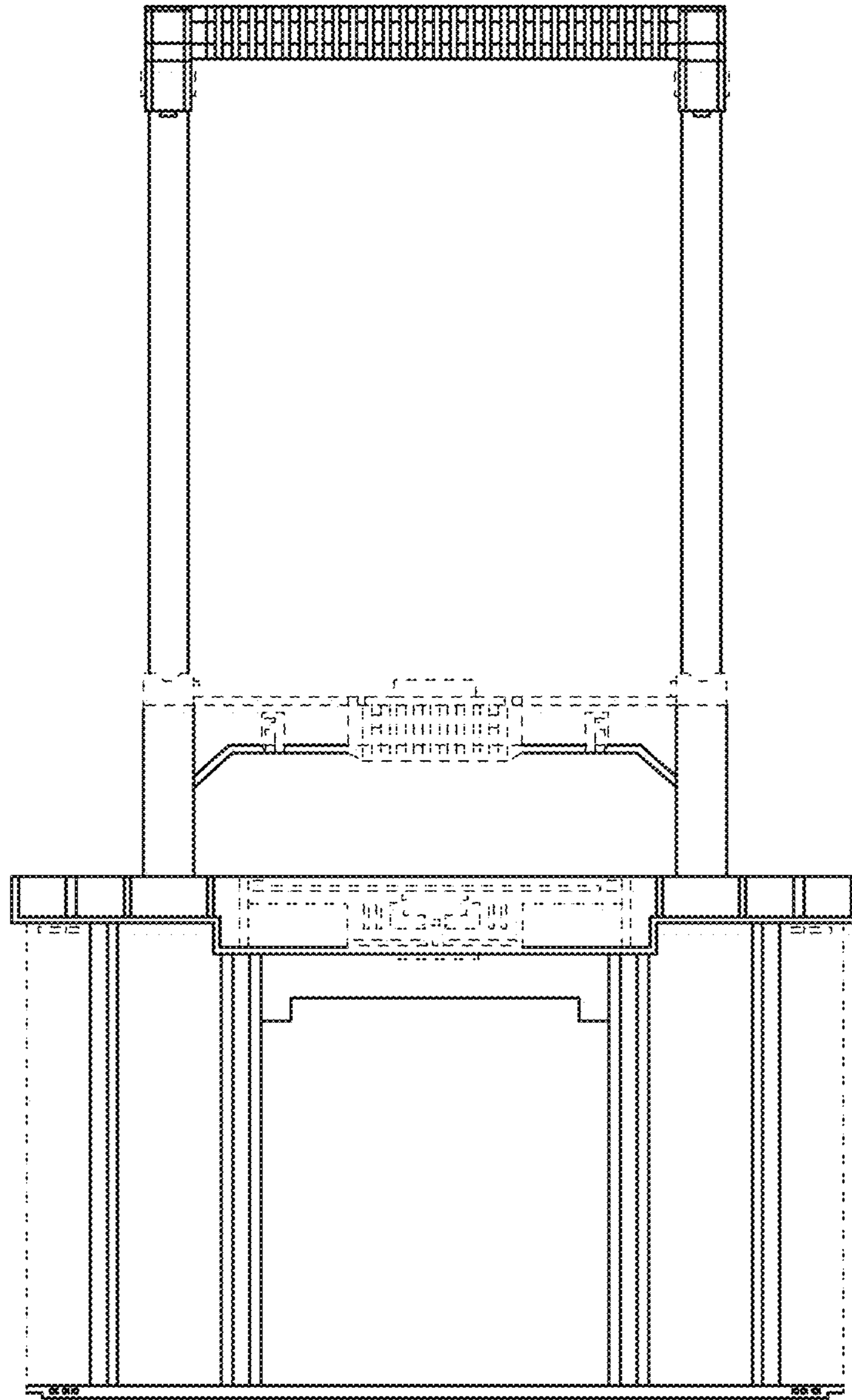


FIG. 2

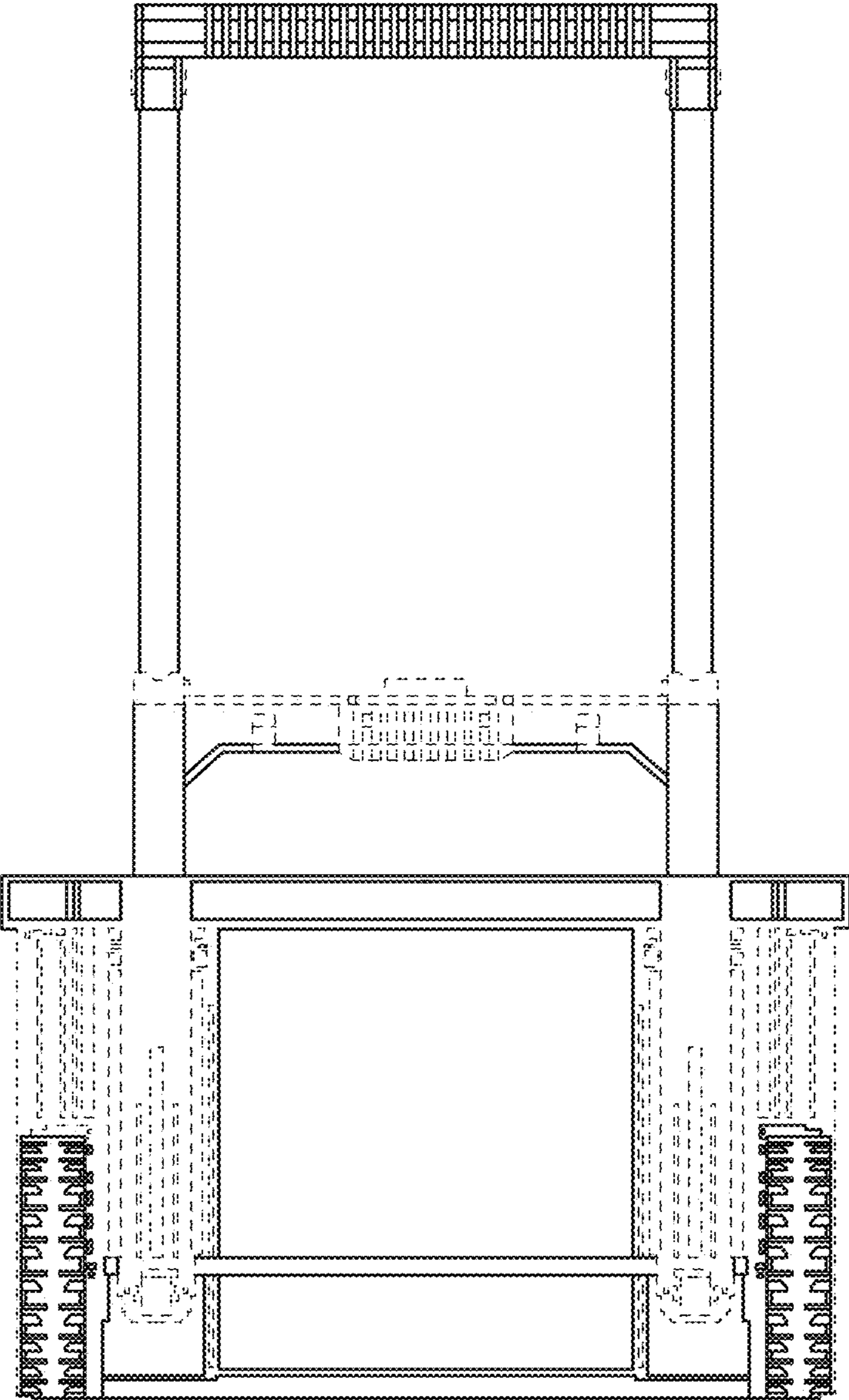


FIG. 3

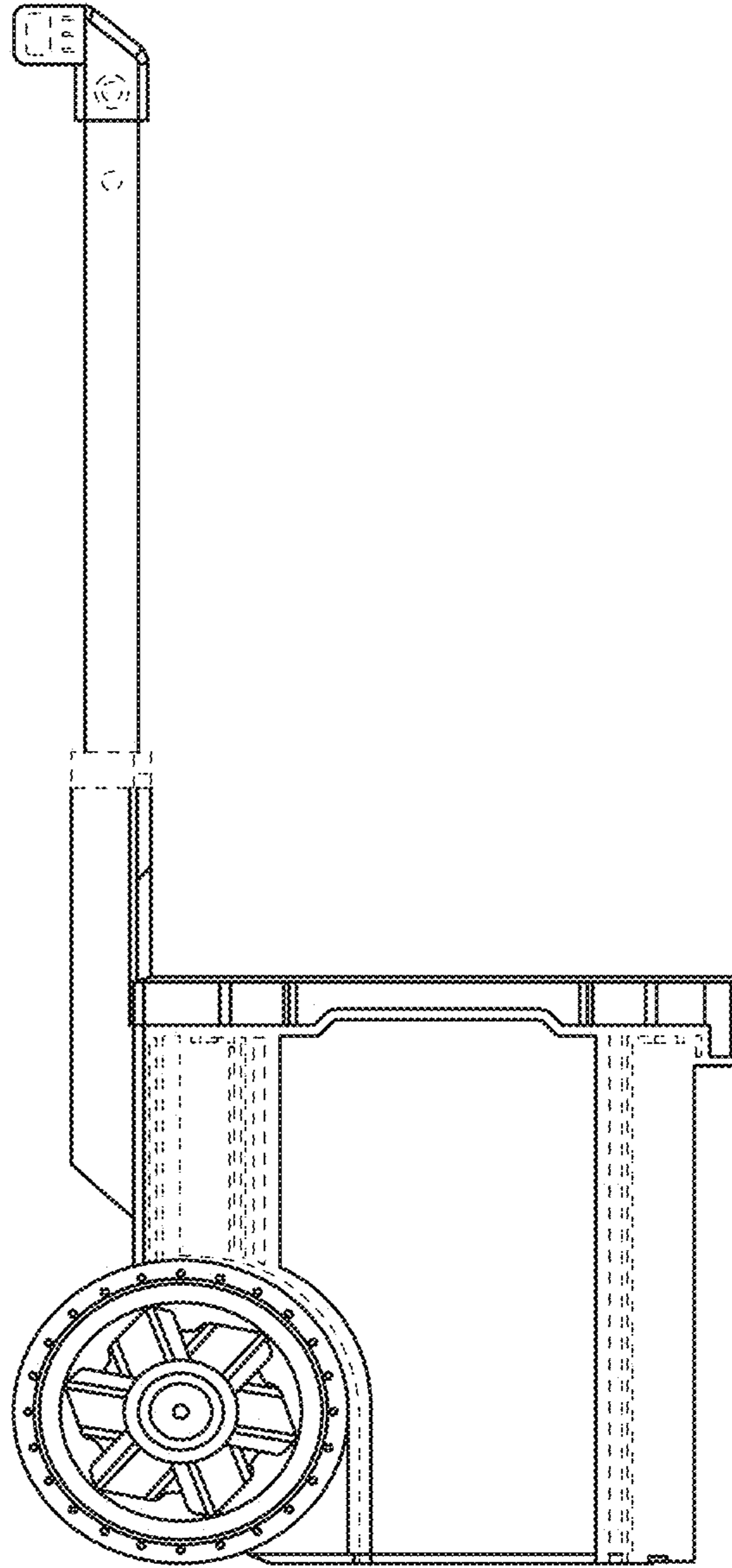


FIG. 4

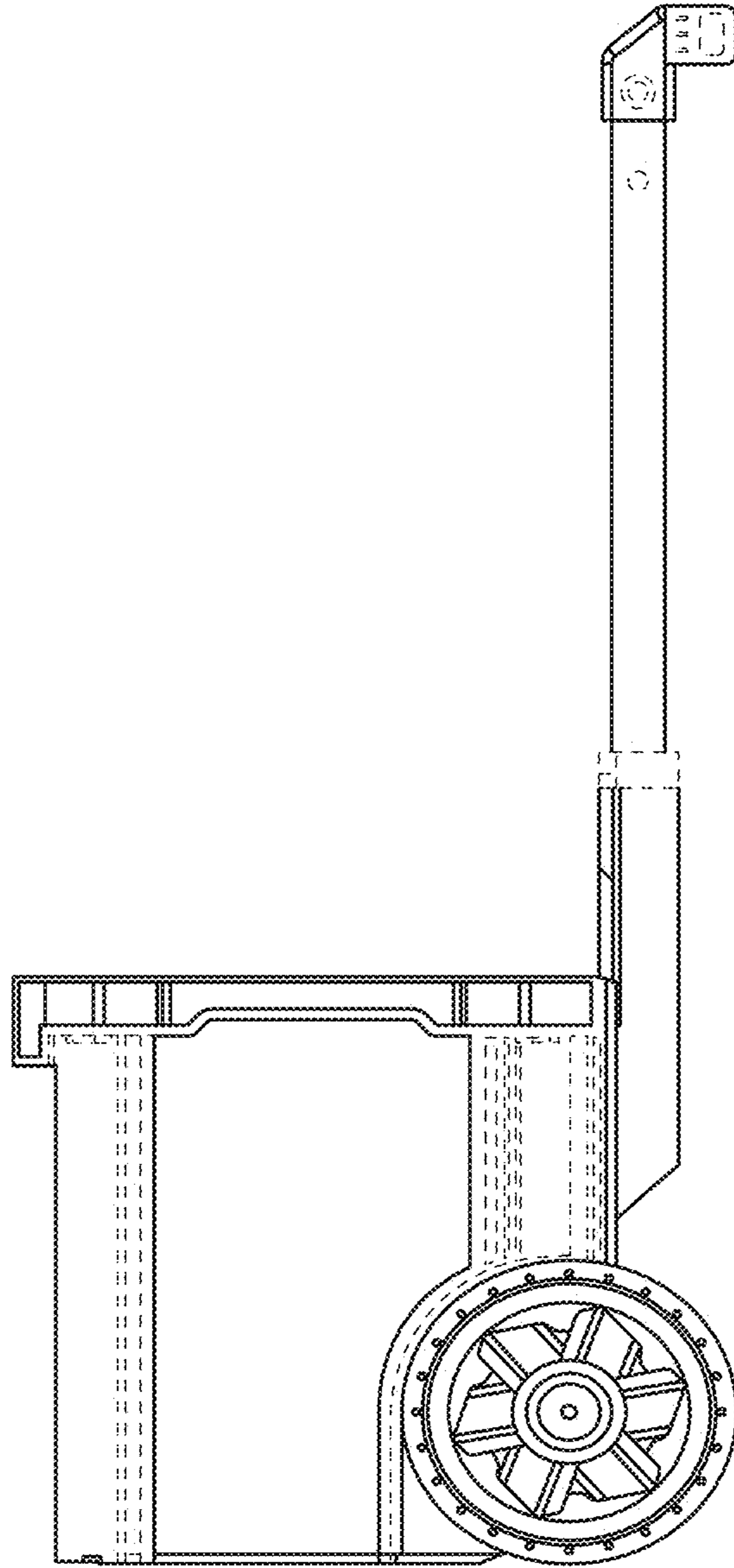


FIG. 5

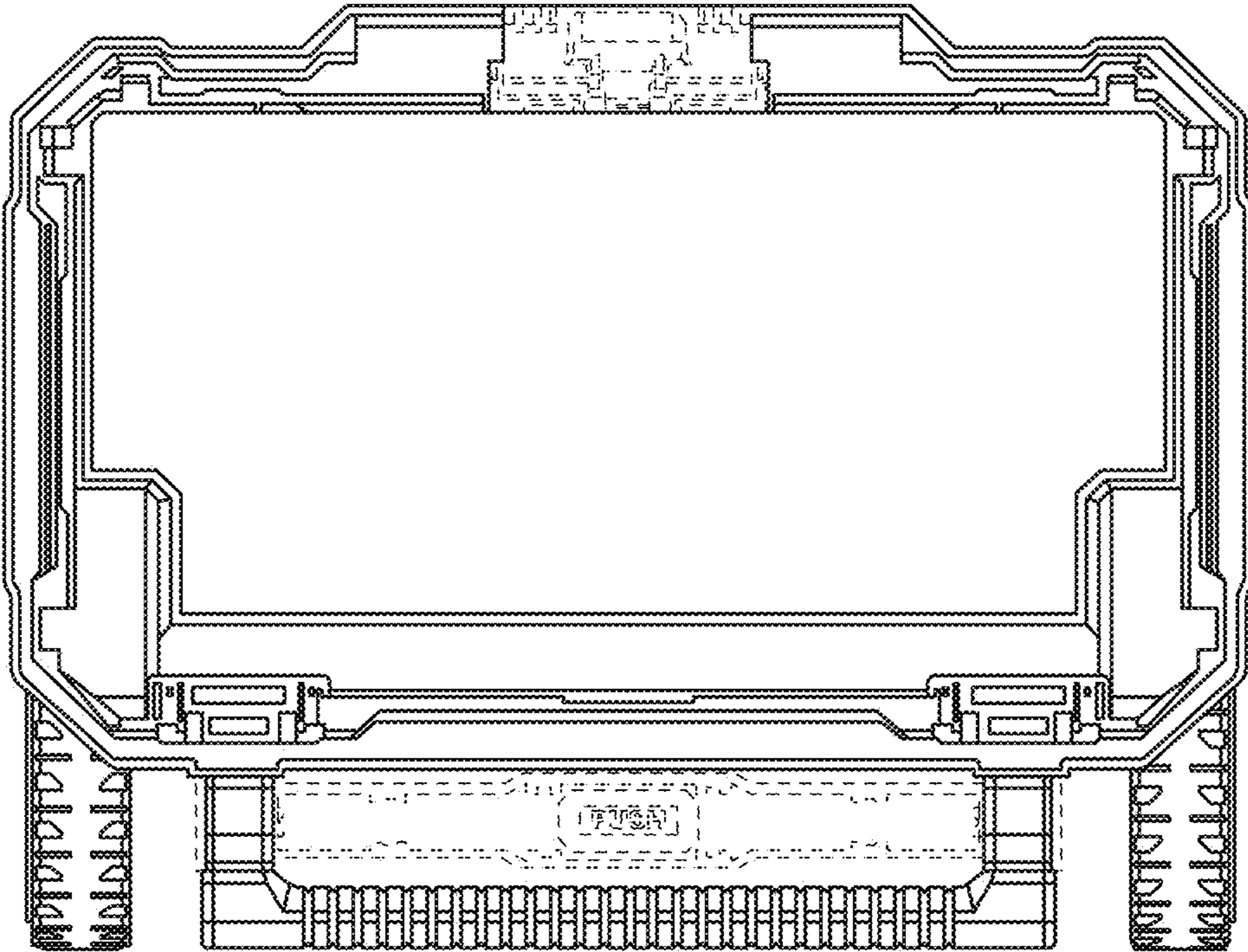


FIG. 6

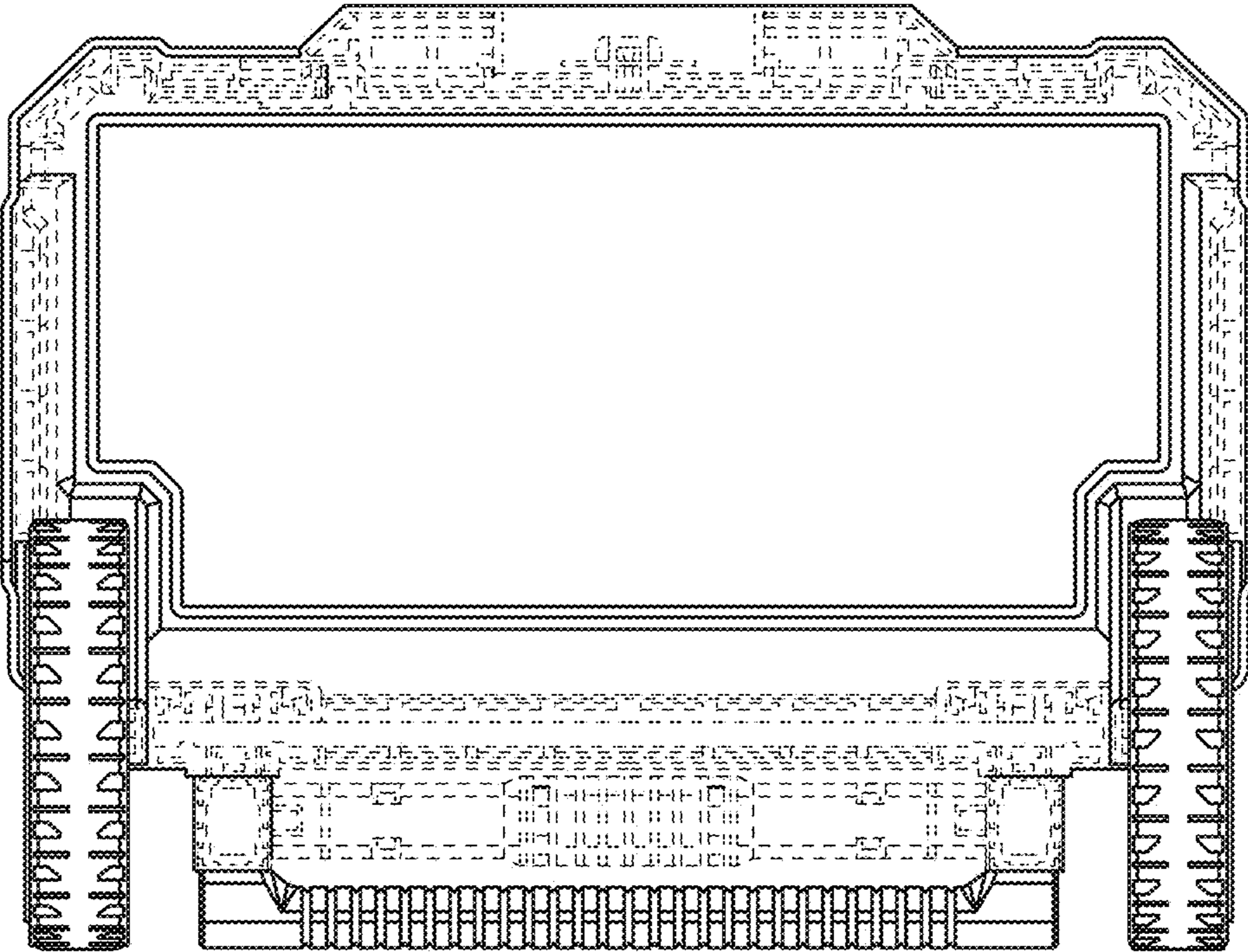


FIG. 7