



US00D988719S

(12) **United States Design Patent** (10) **Patent No.:** **US D988,719 S**
Wang (45) **Date of Patent:** **** Jun. 13, 2023**

(54) **STORAGE BOX**
(71) Applicant: **Liyan Wang**, Zhejiang (CN)
(72) Inventor: **Liyan Wang**, Zhejiang (CN)
(**) Term: **15 Years**
(21) Appl. No.: **29/808,328**
(22) Filed: **Sep. 17, 2021**

D949,565 S * 4/2022 Huang D3/298
D965,298 S * 10/2022 Kong D3/302
D969,486 S * 11/2022 Hu D3/273

(30) **Foreign Application Priority Data**

Apr. 14, 2021 (CN) 202130211051.X

(51) **LOC (14) Cl.** **03-01**
(52) **U.S. Cl.**
USPC **D3/294; D99/28**
(58) **Field of Classification Search**
USPC D3/282, 294, 305, 307, 902, 235, 243,
D3/244, 246, 310, 317, 284; D99/28
CPC A45C 1/02; A45C 7/005; A45C 11/00
See application file for complete search history.

(56) **References Cited**

U.S. PATENT DOCUMENTS

D646,059 S 10/2011 Park
D649,821 S 12/2011 Oliver
D740,562 S 10/2015 Bonilla
D785,329 S 5/2017 Yamamoto
D799,149 S * 10/2017 Chafetz D99/28
D817,112 S 5/2018 Jarvis et al.
D834,819 S 12/2018 Burek et al.
D872,477 S 1/2020 Perella et al.
D899,773 S 10/2020 Hu
D919,225 S * 5/2021 Sheng D99/28

OTHER PUBLICATIONS

Amazon, "Lockable Box, Medicine Lock box for Safe Medication . . .", First on sale Aug. 13, 2021. (<https://www.amazon.com/Lockable-Medicine-Medication-Childproof-Refrigerator/dp/B098X4XR89/>) (Year: 2021).*
Amazon, "Large Lockbox Medicine Lock Box . . .", First on sale Aug. 24, 2021. (<https://www.amazon.com/Large-Lockbox-Medicine-Lock-Box/dp/B09BBBLVYK/?th=1>) (Year: 2021).*

* cited by examiner

Primary Examiner — April Rivas

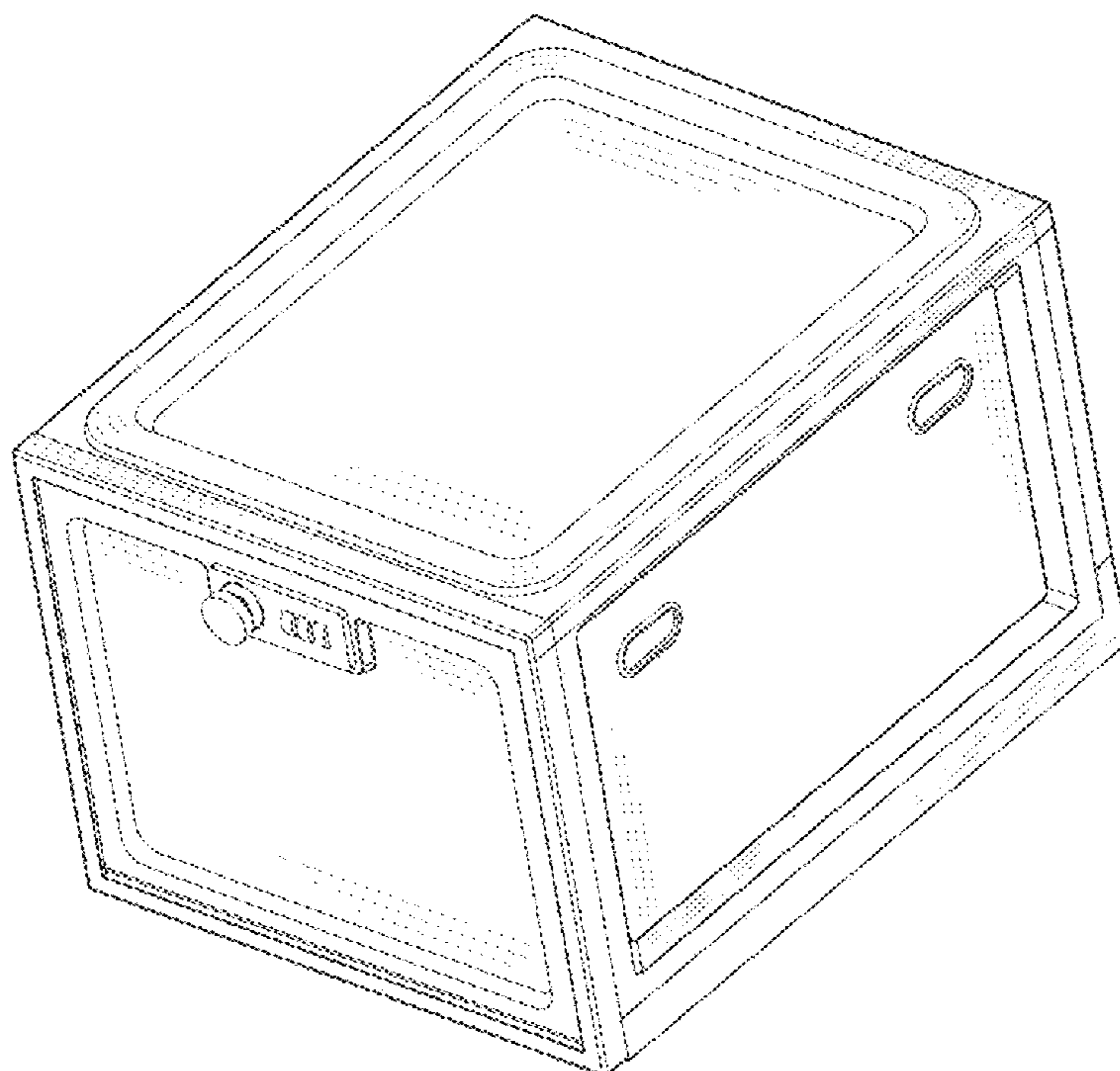
(57) **CLAIM**

The ornamental design for a storage box, as shown and described.

DESCRIPTION

FIG. 1 is a top, front perspective view of a storage box design showing my new design.
FIG. 2 is a front view of a storage box.
FIG. 3 is a rear view of a storage box.
FIG. 4 is a left side view of a storage box.
FIG. 5 is a right side view of a storage box.
FIG. 6 is a top view of a storage box; and,
FIG. 7 is a bottom, front perspective view of a storage box.
Any shading and cross-hatching are not features of the design but are utilized to illustrate the surface contours of the storage box design in the drawings.

1 Claim, 7 Drawing Sheets



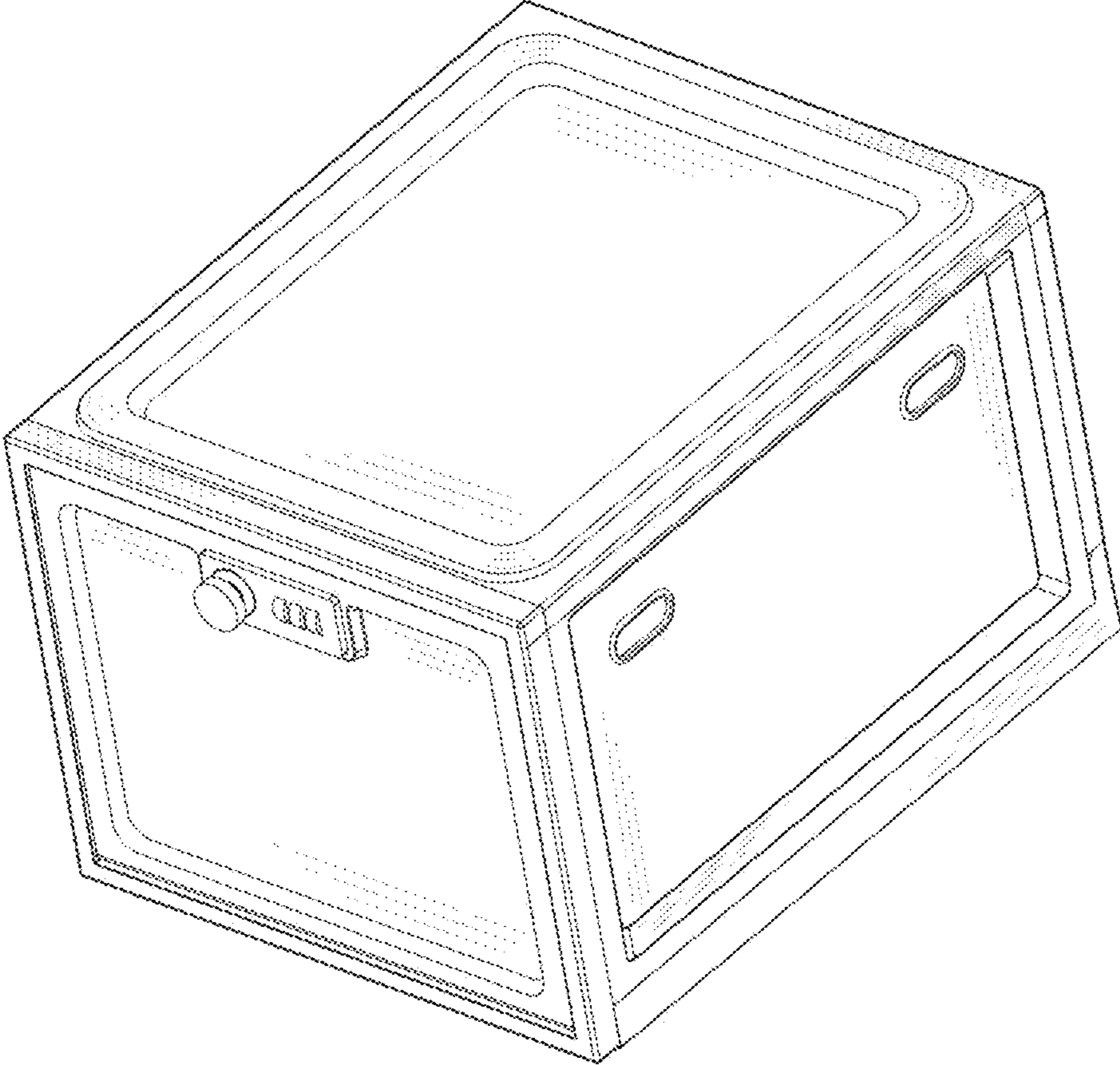


FIG. 1

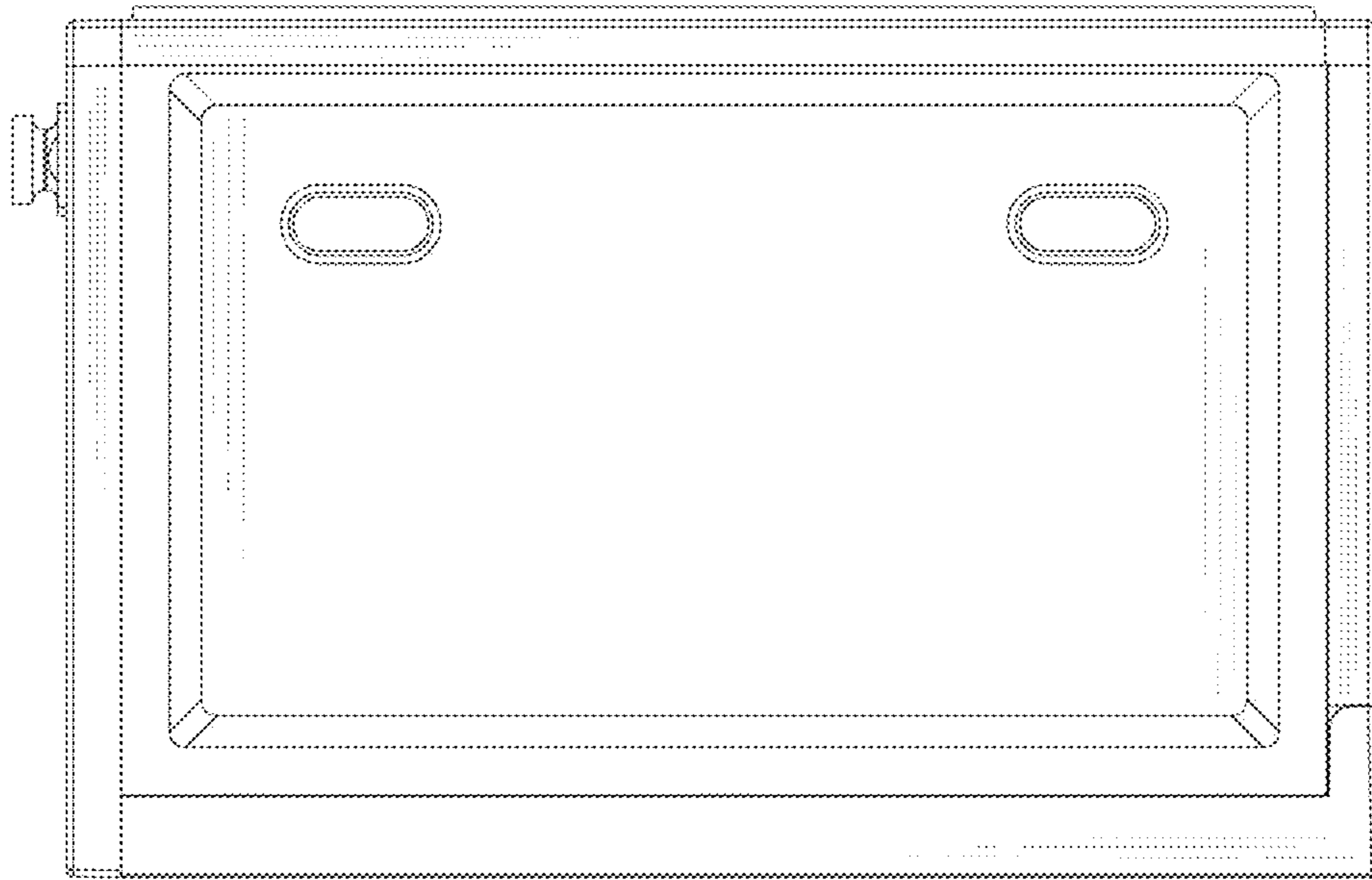


FIG. 2

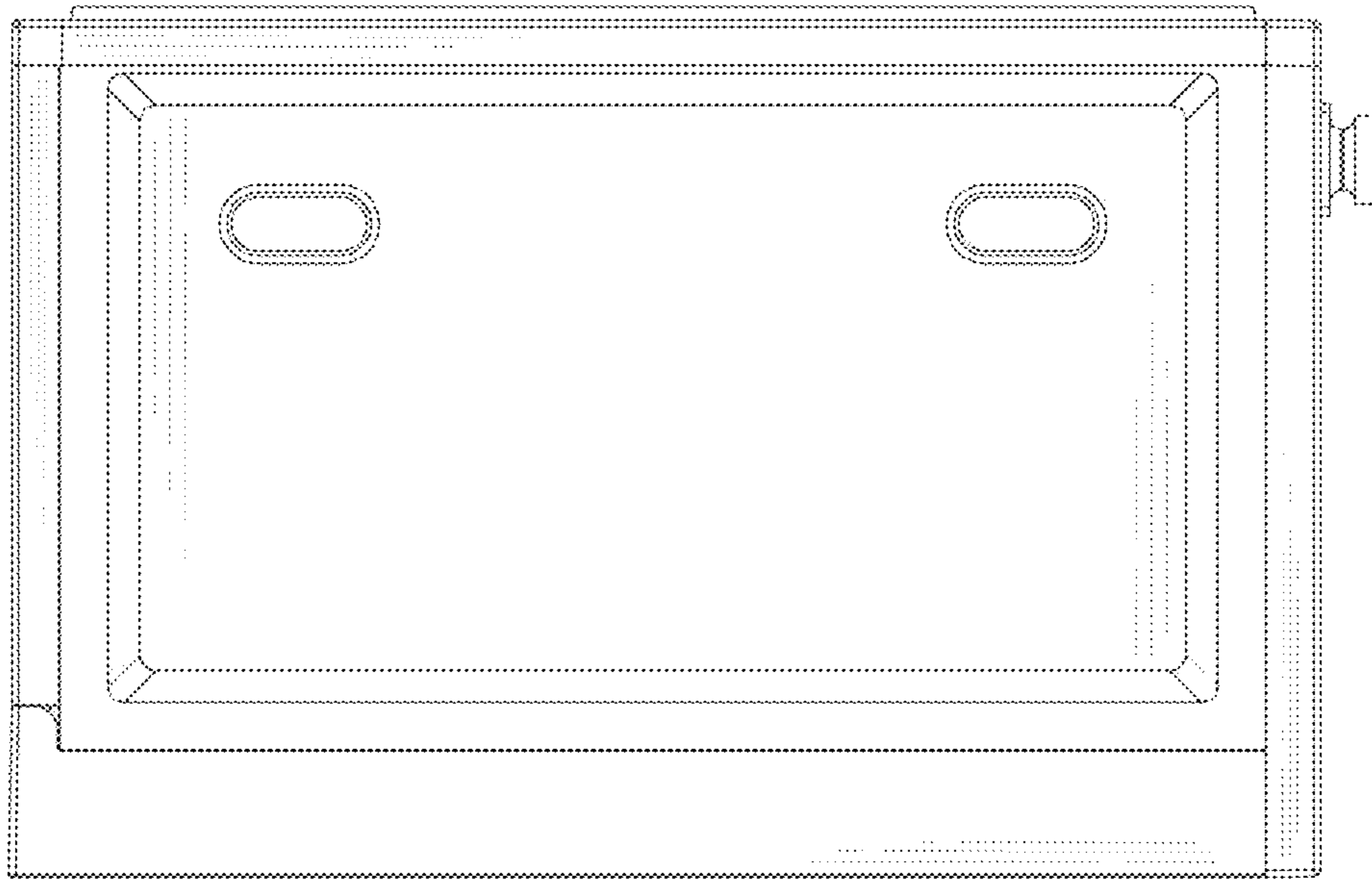


FIG. 3

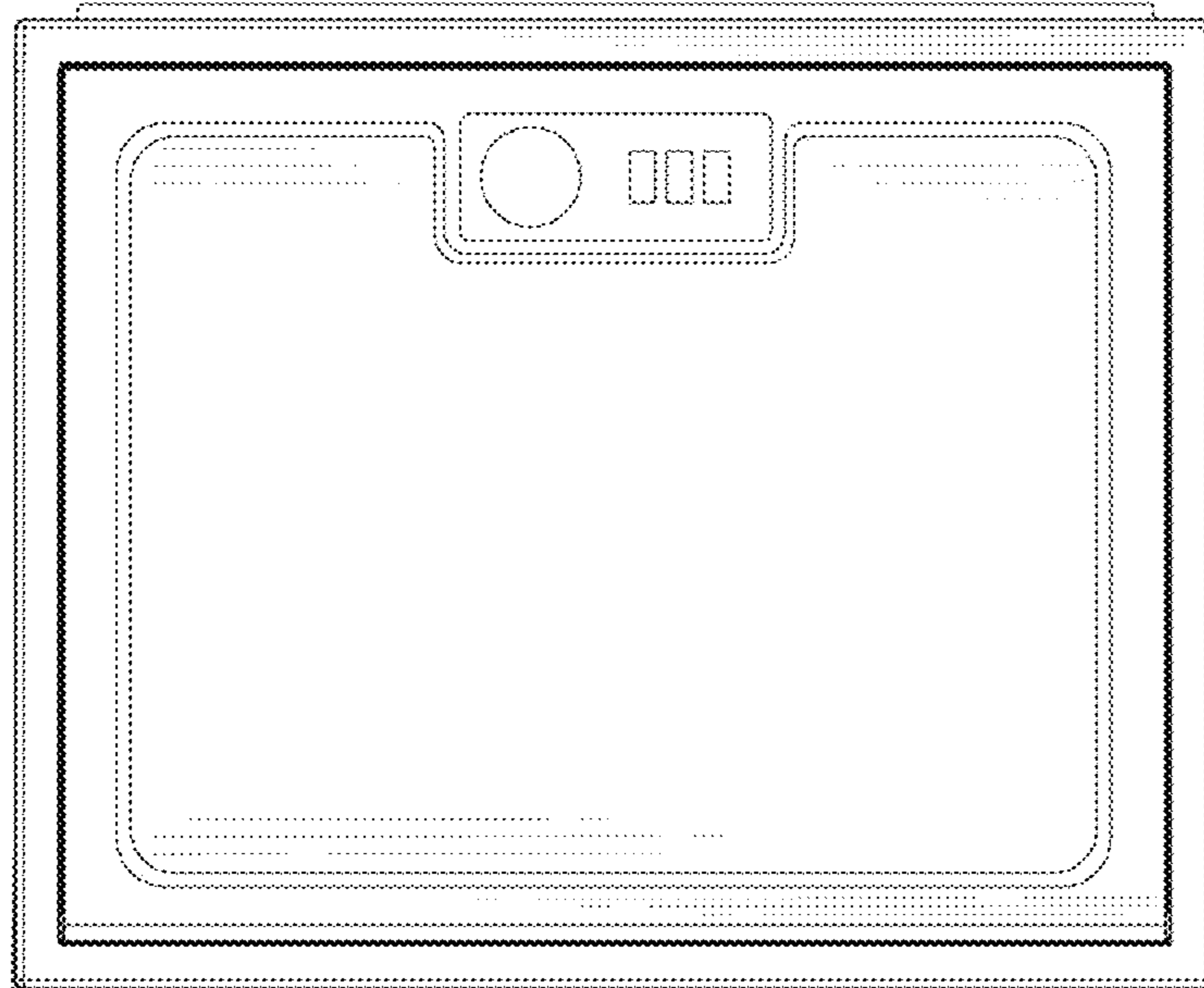


FIG. 4

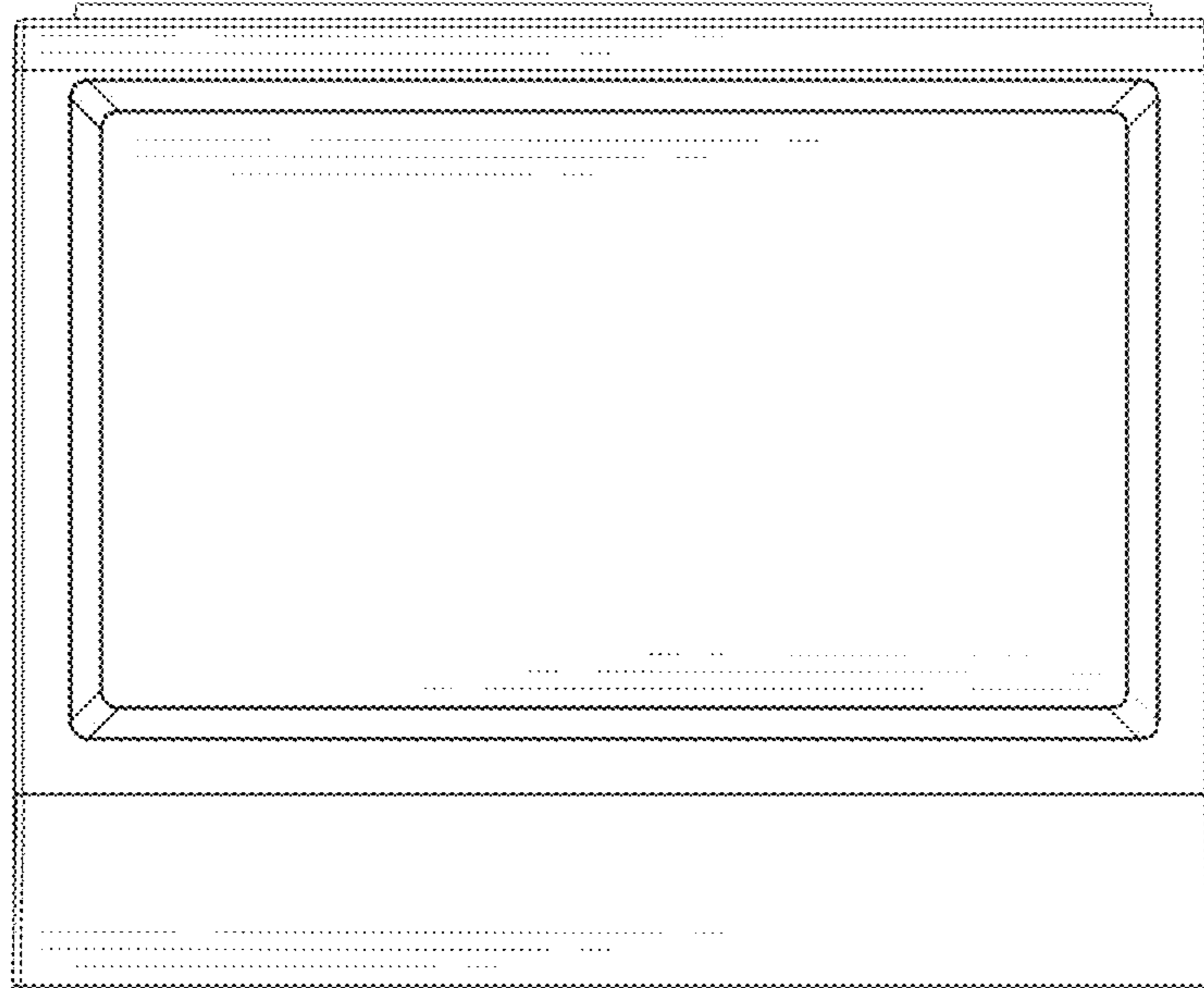


FIG. 5

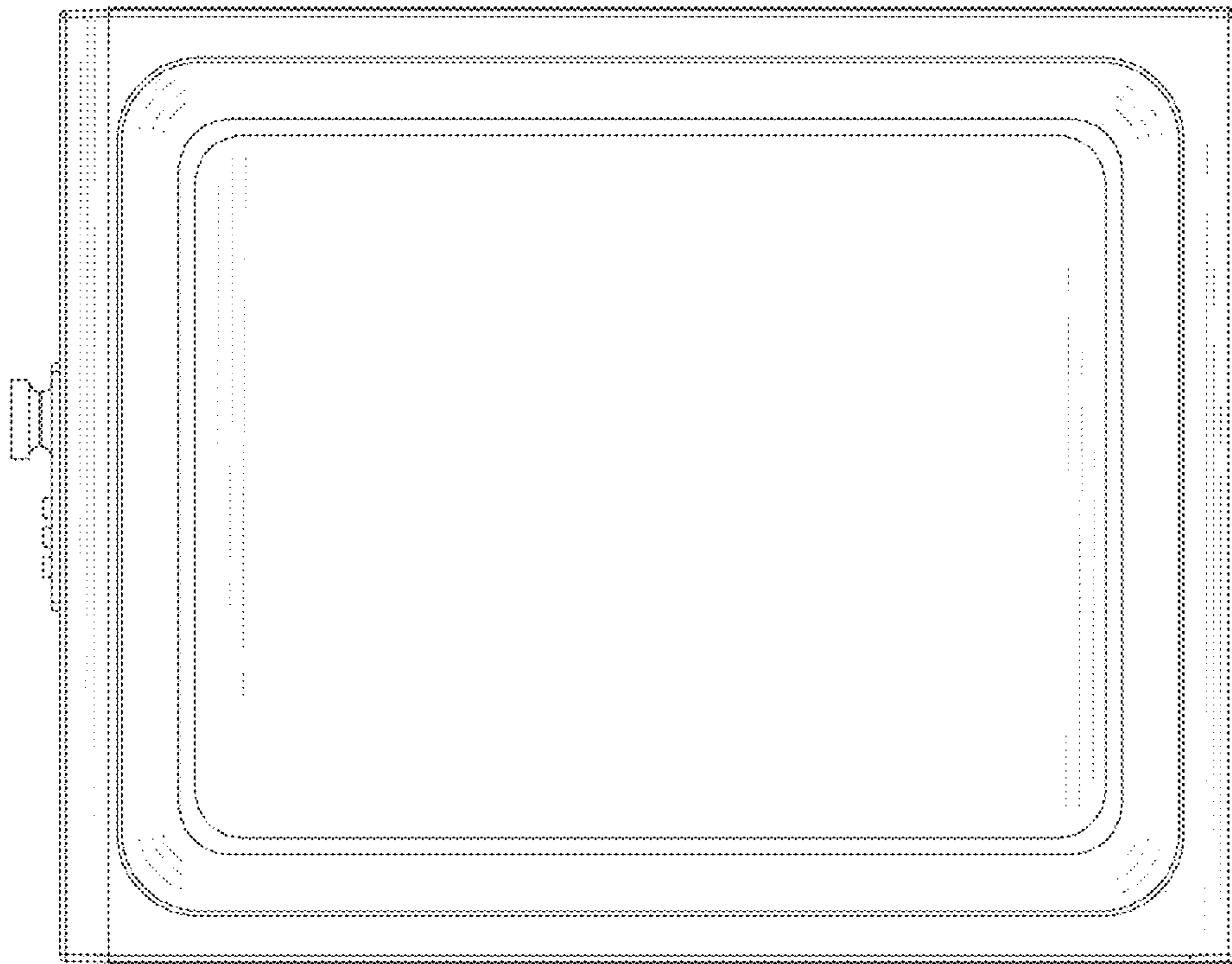


FIG. 6

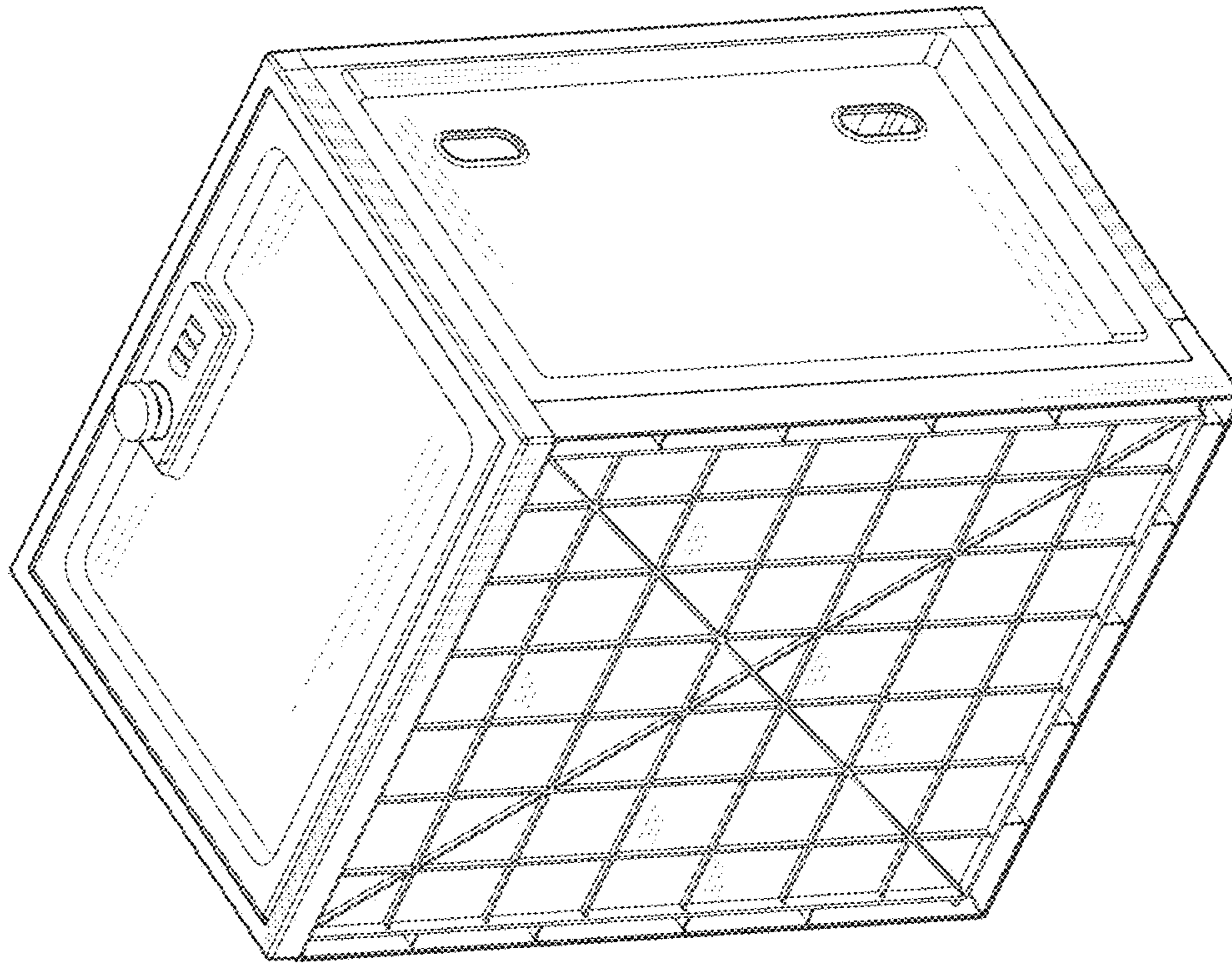


FIG. 7