



US00D988718S

(12) **United States Design Patent**
Cho

(10) **Patent No.:** **US D988,718 S**
(45) **Date of Patent:** **** Jun. 13, 2023**

- (54) **TOOL BOX**
- (71) Applicant: **Yao-Lin Cho**, Taichung (TW)
- (72) Inventor: **Yao-Lin Cho**, Taichung (TW)
- (73) Assignee: **SUN JADE METAL COMPANY LIMITED**, Binhduong (VN)
- (**) Term: **15 Years**
- (21) Appl. No.: **29/781,229**
- (22) Filed: **Apr. 28, 2021**
- (51) **LOC (14) Cl.** **03-01**
- (52) **U.S. Cl.**
USPC **D3/294; D3/905**
- (58) **Field of Classification Search**
USPC D3/273, 276, 278, 281, 283, 289, 293,
D3/294, 303, 321, 323, 905, 271.4, 271.3
CPC B25H 3/02; A45C 3/004; A45C 13/002
See application file for complete search history.

D972,296 S * 12/2022 Li A45C 5/00
D3/276
11,534,905 B2 * 12/2022 Brocket B65D 21/02
D981,717 S * 3/2023 Yang D3/905

OTHER PUBLICATIONS

Tool Guyd, "New Dewalt ToughCase+ Clear Power Tool Accessory Boxes", Published Sep. 24, 2019. (<https://toolguyd.com/dewalt-toughcase-plus-power-tool-accessory-boxes/>) (Year: 2019).*

* cited by examiner

Primary Examiner — April Rivas

(57) **CLAIM**

The ornamental design for a tool box, as shown and described.

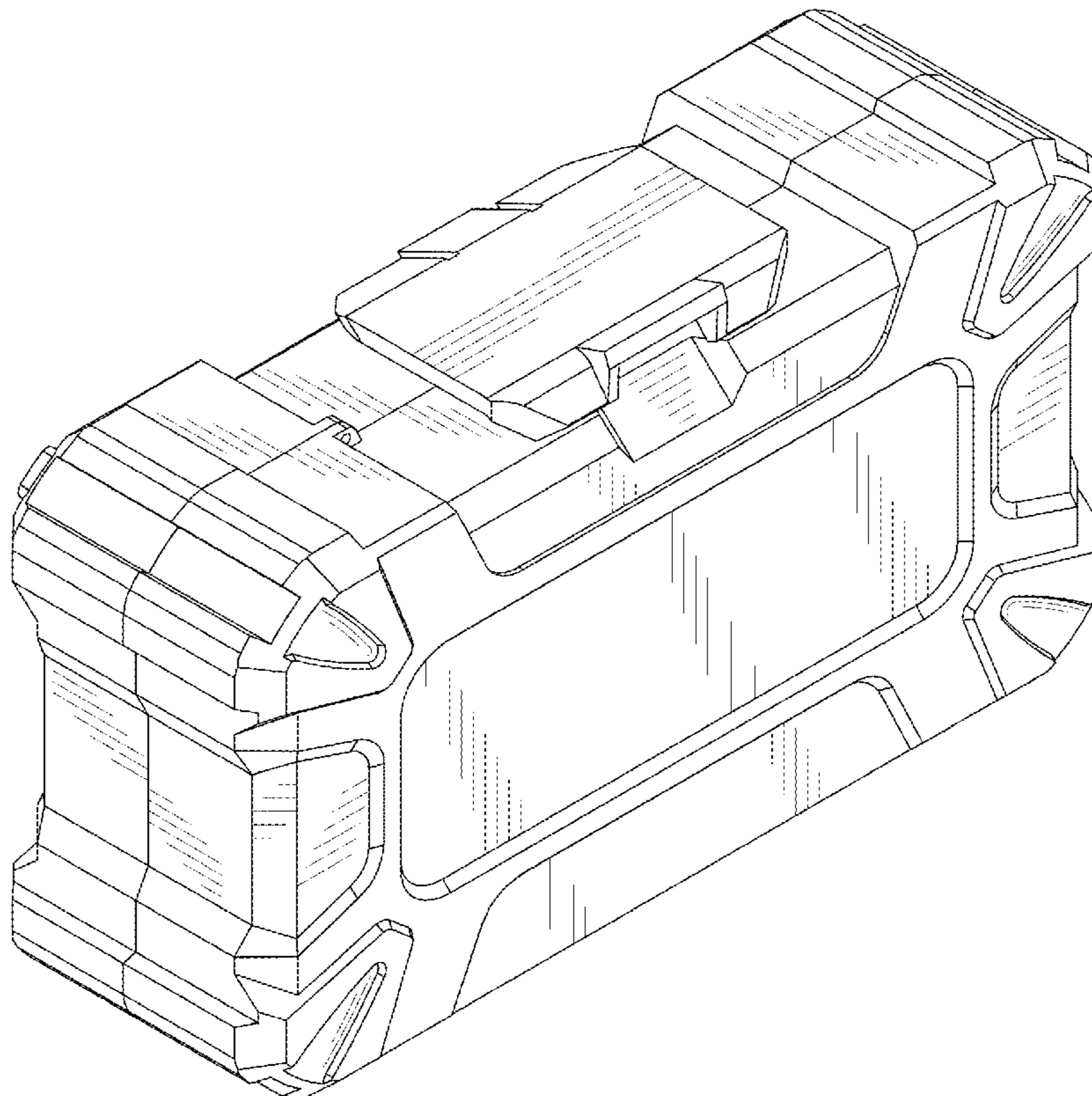
DESCRIPTION

FIG. 1 is a front-right-top perspective view of the tool box showing my new design;
 FIG. 2 is a front elevational view thereof;
 FIG. 3 is a rear front elevational view thereof;
 FIG. 4 is a left side elevational view thereof;
 FIG. 5 is a right side elevational view thereof;
 FIG. 6 is a top plan view thereof;
 FIG. 7 is a bottom plan view thereof; and,
 FIG. 8 is a rear-left-bottom perspective view thereof.

1 Claim, 7 Drawing Sheets

(56) **References Cited**
U.S. PATENT DOCUMENTS

| | | | | |
|--------------|---------|----------|-------|--------|
| D527,523 S * | 9/2006 | Cornwell | | D3/905 |
| D563,670 S * | 3/2008 | Cornwell | | D3/905 |
| D563,672 S * | 3/2008 | Cornwell | | D3/905 |
| D805,775 S * | 12/2017 | Tsai | | D3/905 |
| D873,018 S * | 1/2020 | Seibert | | D3/905 |
| D877,510 S * | 3/2020 | Christen | | D3/905 |
| D958,533 S * | 7/2022 | Shao | | D3/905 |



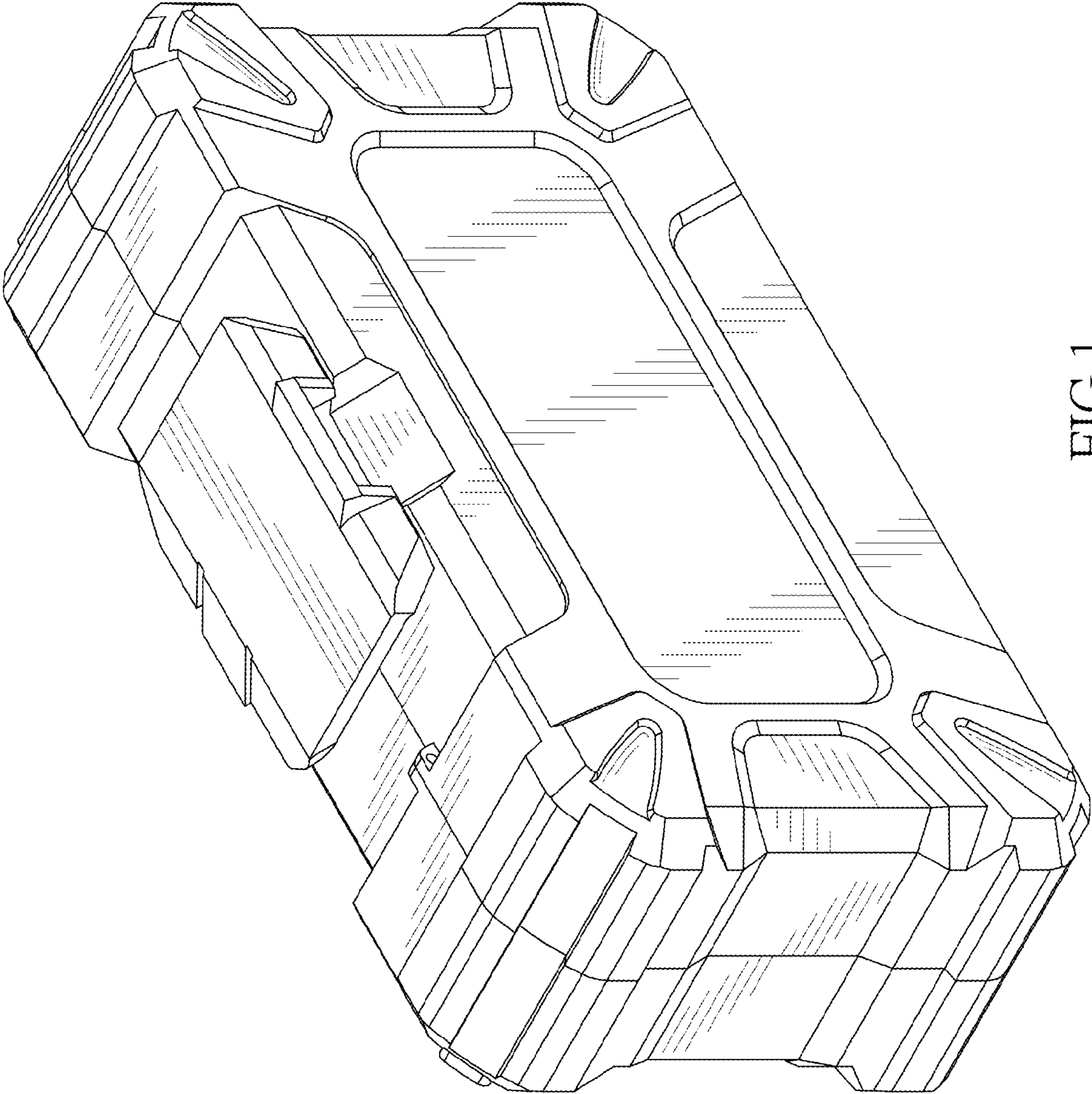


FIG.1

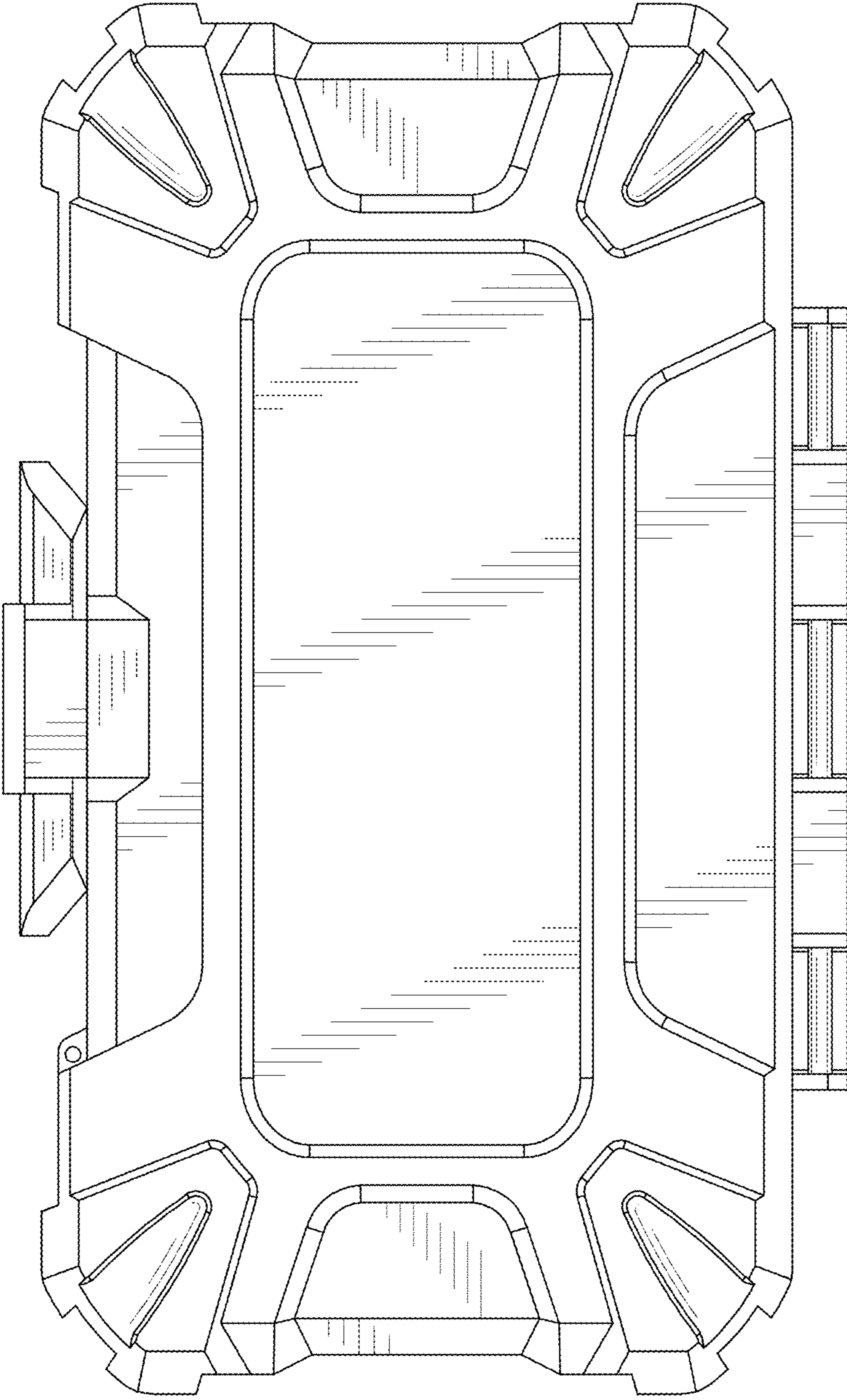


FIG.2

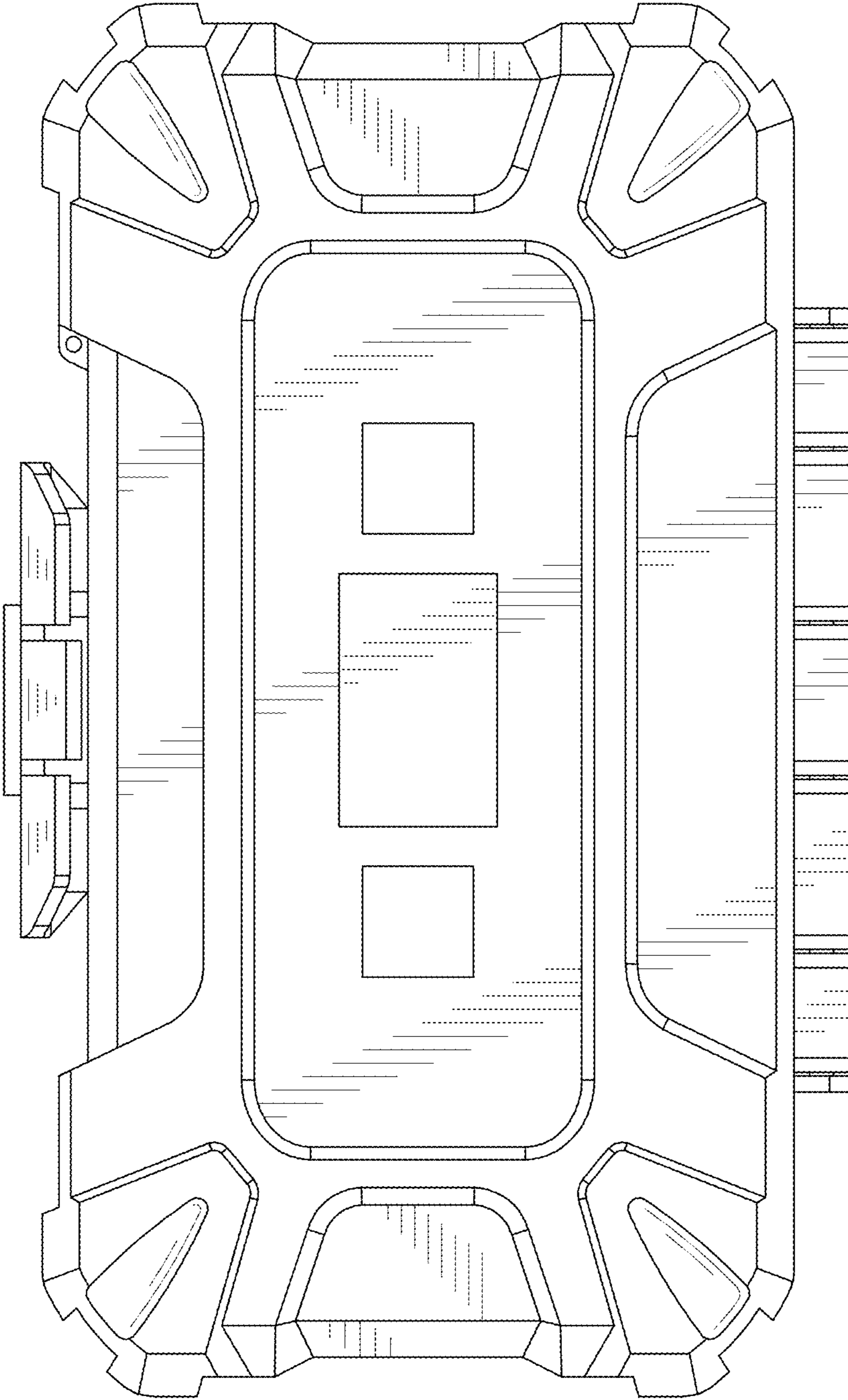


FIG.3

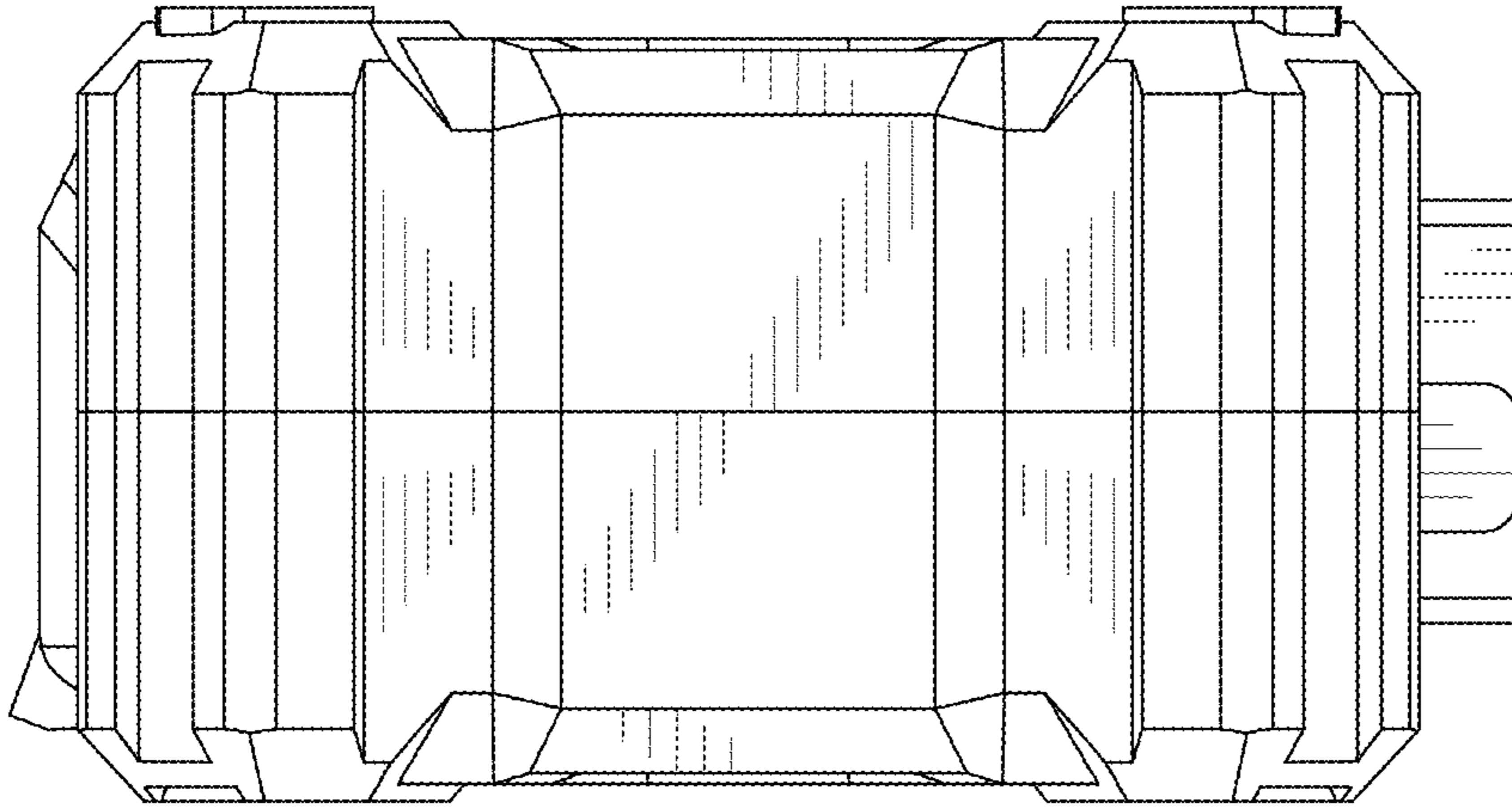


FIG.5

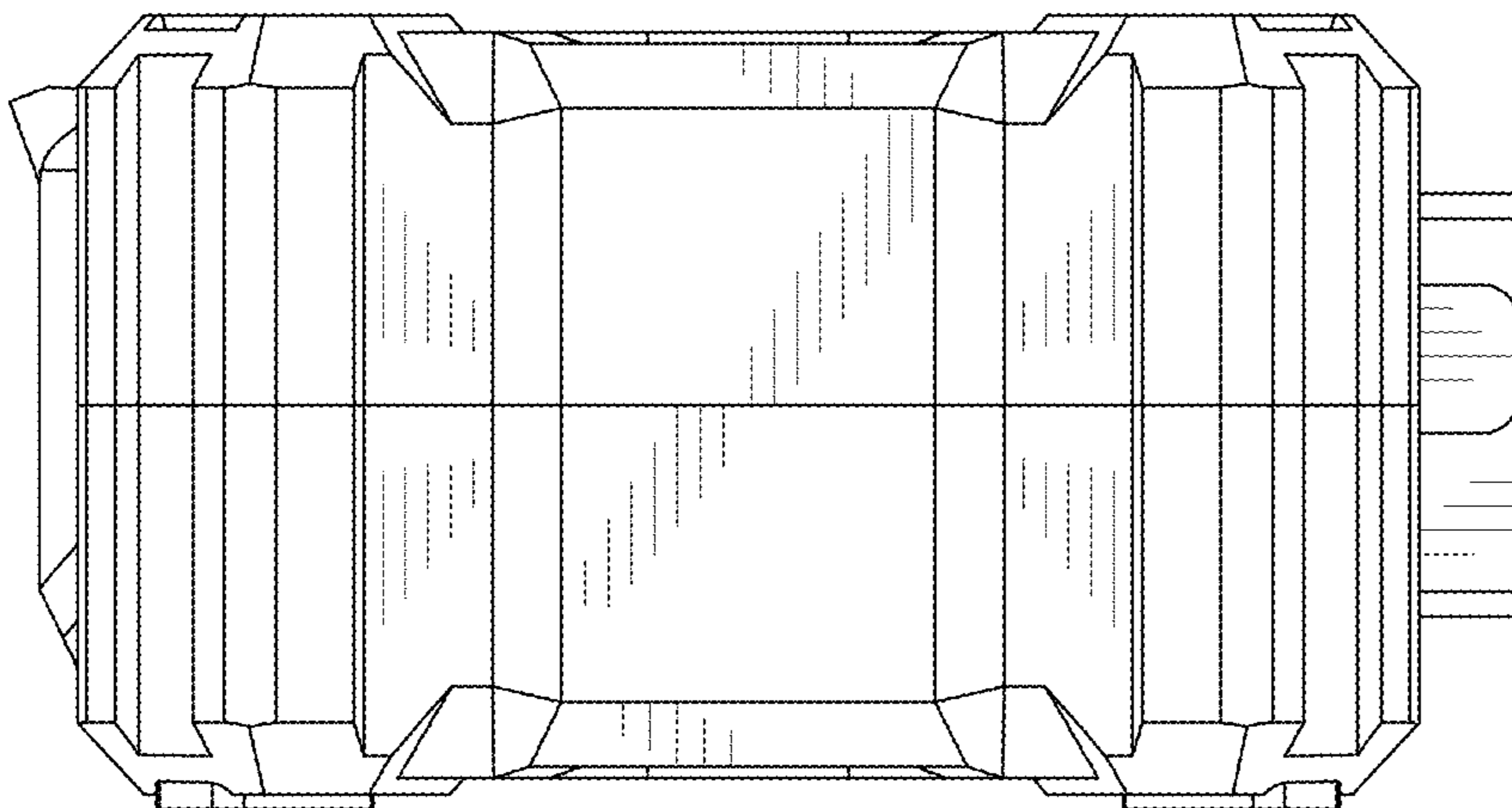


FIG.4

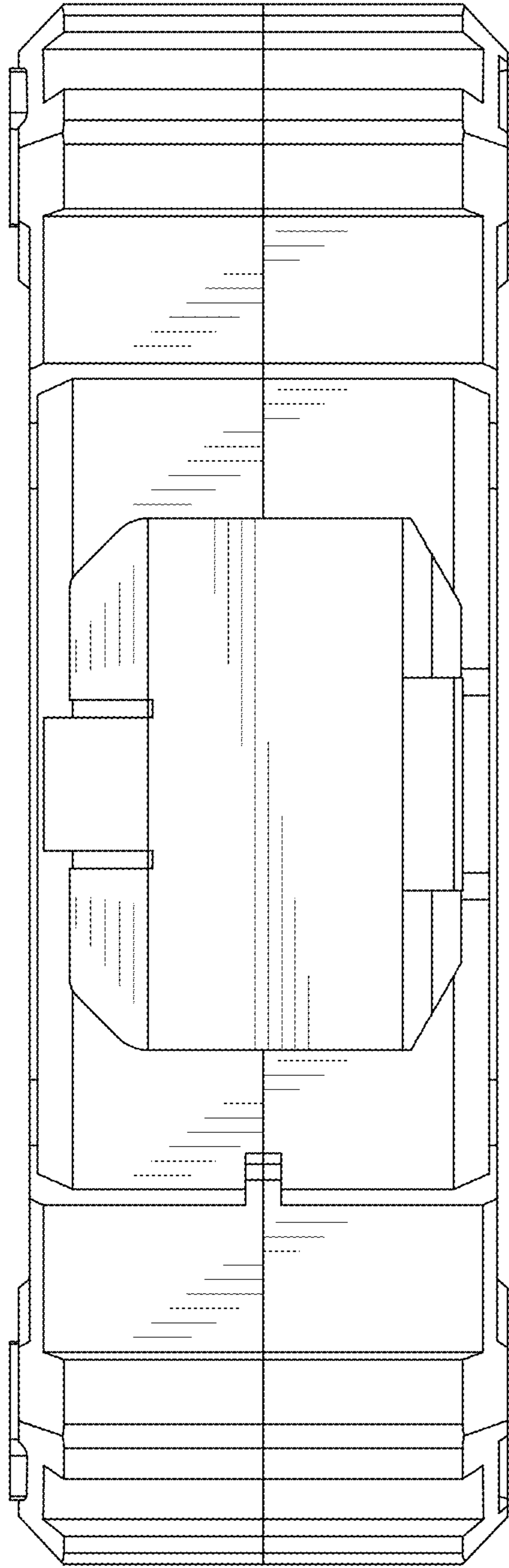


FIG.6

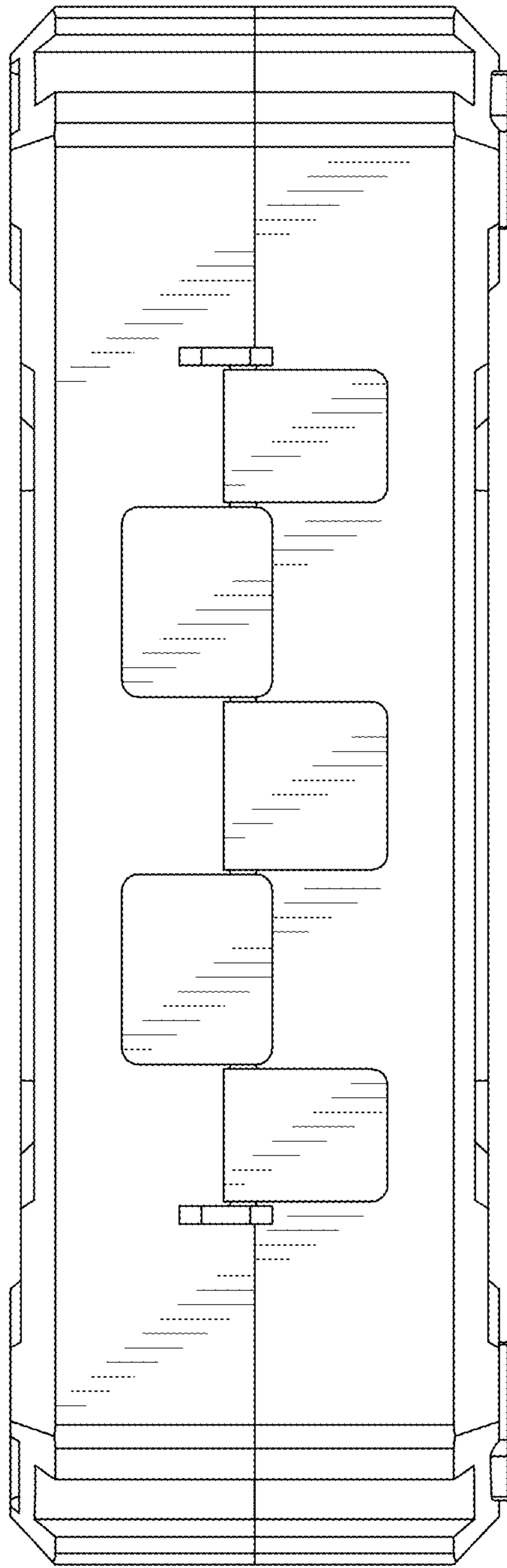


FIG.7

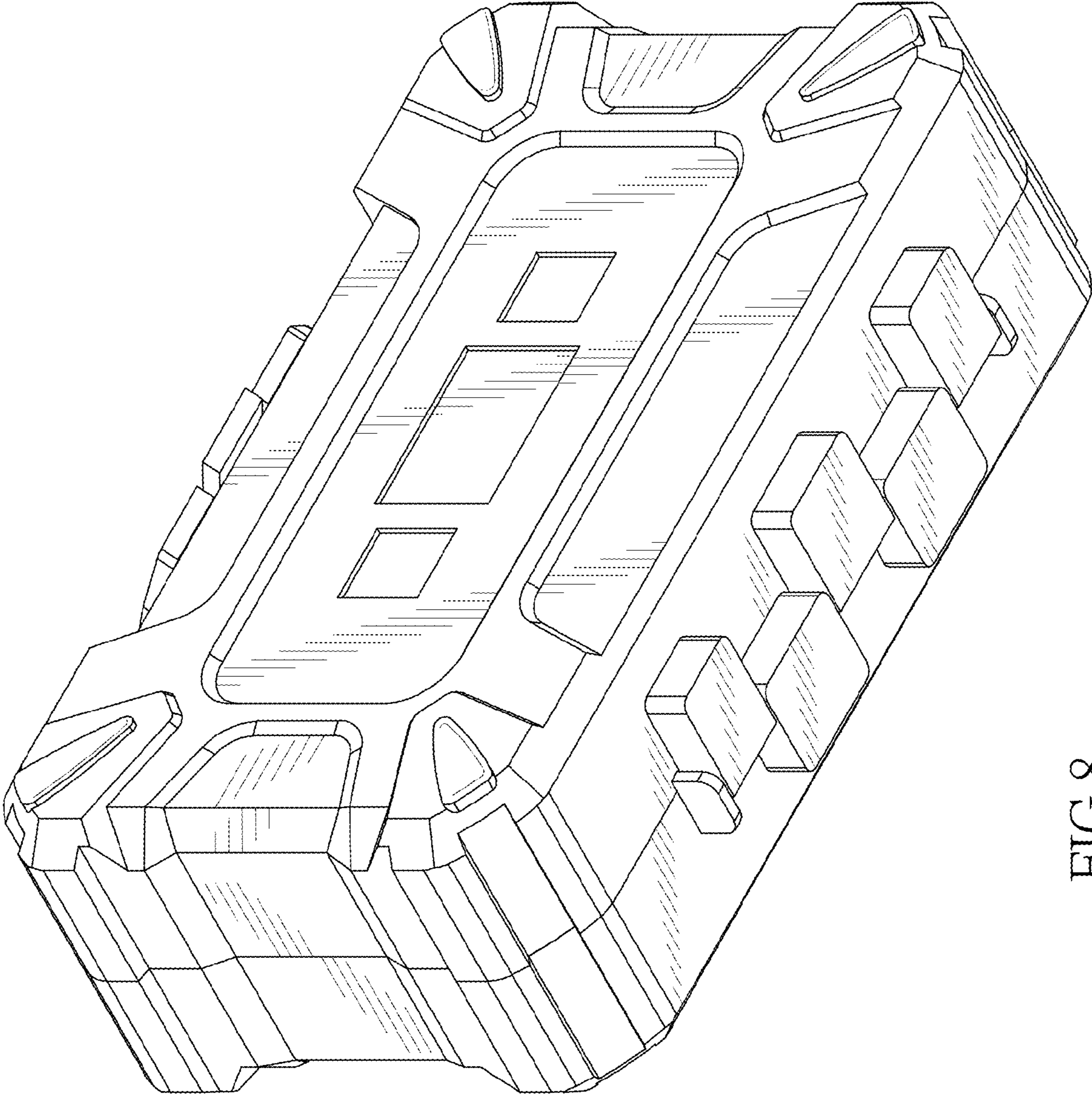


FIG.8