



US00D988717S

(12) **United States Design Patent**
Liao

(10) **Patent No.:** **US D988,717 S**
(45) **Date of Patent:** **** Jun. 13, 2023**

- (54) **PASSPORT HOLDER**
- (71) Applicant: **WENZHOU POMPEI LEATHER GOODS CO., LTD**, Wenzhou (CN)
- (72) Inventor: **Aizhen Liao**, Wenzhou (CN)
- (*) Notice: Patent file contains an affidavit/declaration under 37 CFR 1.130(b).
- (**) Term: **15 Years**
- (21) Appl. No.: **29/809,557**
- (22) Filed: **Sep. 29, 2021**
- (51) **LOC (14) Cl.** **03-01**
- (52) **U.S. Cl.**
USPC **D3/249**
- (58) **Field of Classification Search**
USPC D3/247–253, 301, 303
CPC A45C 11/00; A45C 2011/002; A45C 1/06;
A45C 11/182; A45C 11/18
See application file for complete search history.

(56) **References Cited**

U.S. PATENT DOCUMENTS

781,948 A *	2/1905	Hegele	B42D 5/005
				281/31
D210,341 S *	2/1968	Schlessinger	D3/251
D718,525 S *	12/2014	Kim	D3/247
D772,569 S	11/2016	Tappeiner		
D805,770 S *	12/2017	Justiss	D3/249
D843,719 S	3/2019	Constance		
D856,671 S *	8/2019	Li	D3/249
D866,179 S *	11/2019	Zhao	D3/249

(Continued)

FOREIGN PATENT DOCUMENTS

CN 307155436 * 3/2022

OTHER PUBLICATIONS

“Melsbrinna Passport Holder, Passport Holder Card Slots, Cute Passport cover for Women/Men, Waterproof Rfid Blocking Travel Wallet (Black New)”, photo review dated Sep. 10, 2021, Amazon.com, site visited Jul. 27, 2022: <https://www.amazon.com/Melsbrinna-Passport->

Holder-Waterproof-Blocking/dp/B09BCLGCV9/ref=sr_1_1_sspa?crd=XSLV101G7378&keywords=melsbrinna&qid=1657730088&sprefix=melsbrinna%2Caps%2C79&sr=8-1-spons&spLa=ZW5jcnlwdGVkUXVhbGlmaWVyPUEwNkNBUzFXOUICMIVHJmVuY3J5cHRIZEIkPUEwMjYyNDE3MU1WQkc0VFQwSDIzNiZlbnNyeXB0ZWRBZEIkPUEwMDcwNjgxM0U2MkVJOVJQT0FGWiZ3aWRnZXROYWlIPXNwX2F0ZiZhY3Rpb249Y2xpY2tSZWRpc mVjdCZkb05vdExvZ0NsaWNrPXRydWU&th=1 (Year: 2021).*

(Continued)

Primary Examiner — Jennifer L Watkins
Assistant Examiner — Samantha Lynne Brodowski

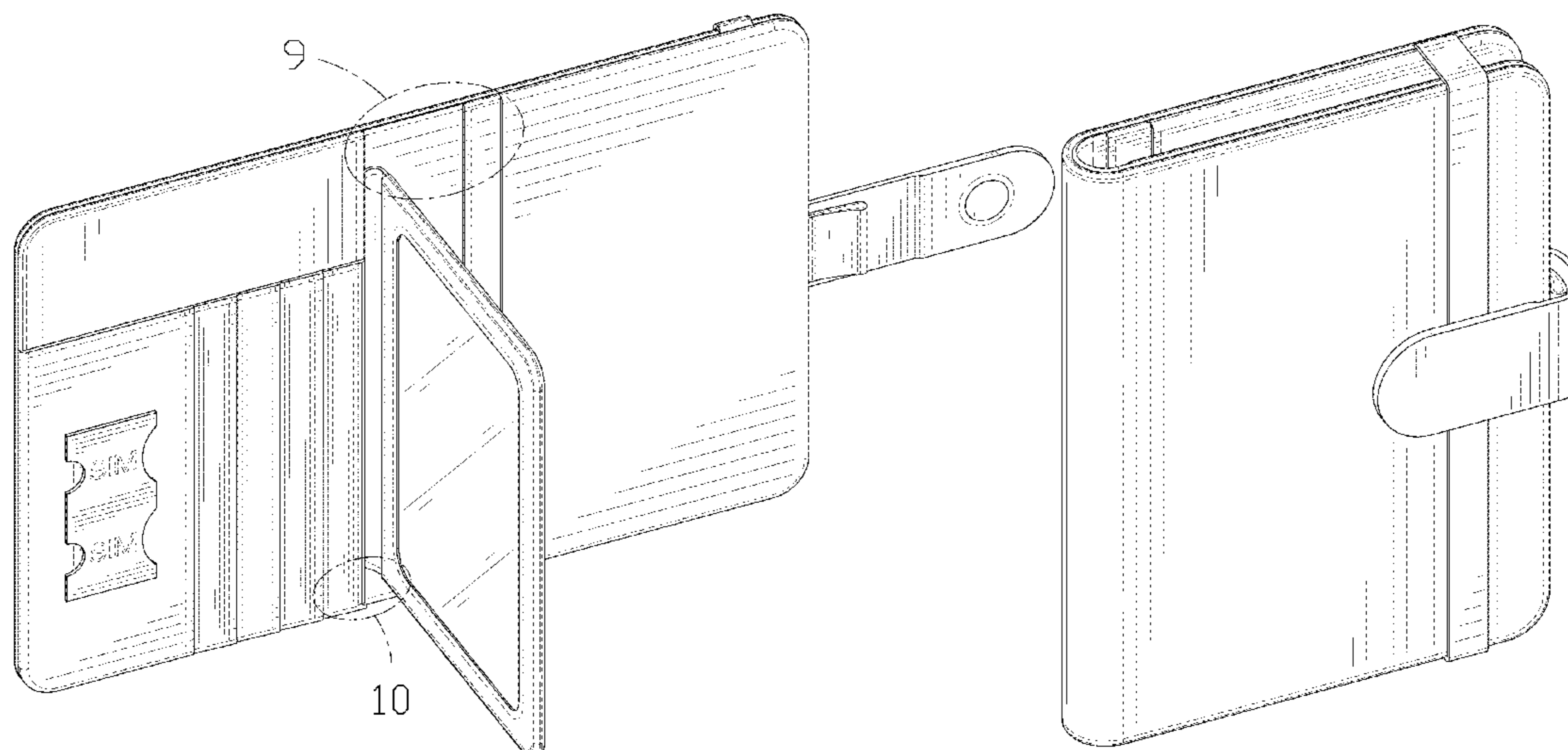
(57) **CLAIM**

The ornamental design for a passport holder, as shown and described.

DESCRIPTION

FIG. 1 is a perspective view of a passport holder showing my new design;
 FIG. 2 is another perspective view thereof;
 FIG. 3 is a front elevational view thereof;
 FIG. 4 is a rear elevational view thereof;
 FIG. 5 is a left side elevational view thereof;
 FIG. 6 is a right side elevational view thereof;
 FIG. 7 is a top plan view thereof;
 FIG. 8 is a bottom plan view thereof;
 FIG. 9 is an enlarged view of portion 9 shown in FIG. 1;
 FIG. 10 is an enlarged view of portion 10 shown in FIG. 1;
 FIG. 11 is an enlarged view of portion 11 shown in FIG. 2;
 FIG. 12 is an enlarged view of portion 12 shown in FIG. 2;
 FIG. 13 is an enlarged view of portion 13 shown in FIG. 2;
 and,
 FIG. 14 is a perspective view of the passport holder where the passport holder is in a configuration of use.
 The dash-dash broken lines in the drawings depict portions of the passport holder that form no part of the claimed design. The dot-dash broken lines represent boundaries of the enlarged portions and form no part of the claimed design.

1 Claim, 14 Drawing Sheets



(56)

References Cited

U.S. PATENT DOCUMENTS

D869,843 S * 12/2019 Zhou D3/249
 D872,994 S * 1/2020 Chen D3/247
 D891,416 S * 7/2020 Yu D3/249
 D891,767 S * 8/2020 Lamb D3/247
 D933,360 S * 10/2021 Qing D11/78.1
 D956,033 S * 6/2022 Hu D14/250
 D965,578 S * 10/2022 Liu D14/249
 D968,804 S * 11/2022 Hu D3/249
 D970,888 S * 11/2022 Liu A45C 11/00
 D3/249
 2021/0307465 A1 * 10/2021 Whala A45C 1/06

OTHER PUBLICATIONS

“Sooez A6 PU Leather Budget Binder Organizer, Money Organizer for Cash with A6 Cover, 8Pcs Binder Pockets, 24Pcs Expense Budget Sheets & 34 Categories Sticker Labels, Money Saving Binder, Pink”, first available May 27, 2021, Amazon.com, site visited Jul. 27, 2022: https://www.amazon.com/Sooez-A6-Organizer-Categories-Budgeting/dp/B095XVLR8/ref=d_durable-asin-recommendation-tag_sccl_3_1/146-8569446-2588346?pd_rd_w=T9eDe&content-id=amzn1.sym.40ddb8e-f303-4711-8817-484293d6b2ef&pf_rd_p=40ddb8e-f303-4711-8817-484293d6b2ef&pf_rd_r=GZ7H3ZF9Q1M8HPVCJA5H&pd_rd_wg=zMTqk&pd_r=2e4b72c8-85a9-4fda-8c0b-884d2a46413a&pd_rd_i=B095XVLR8&th=1 (Year: 2021).*

rd_r=2e4b72c8-85a9-4fda-8c0b-884d2a46413a&pd_rd_i=B095XVLR8&th=1 (Year: 2021).*

“Herriat Passport Holder Cover Case RFID Blocking Travel Wallet Card Case”, first available Apr. 13, 2019, Amazon.com, site visited Jul. 27, 2022: https://www.amazon.com/Passport-Holder-Cover-Travel-Wallet-Women/dp/B07F2M22G4/ref=sr_1_6?crid=1FMCCYRHYFLSM&keywords=passport%2Bholder%2Belastic&qid=1658846595&srefix=passport%2Bholder%2Belastic%2Caps%2C91&sr=8-6&th=1 (Year: 2019).*

“Passport Holder Cover Wallet RFID Blocking Leather Card Case Travel Document Organizer”, first available Nov. 4, 2018, Amazon.com, site visited Jul. 27, 2022: https://www.amazon.com/Passport-Blocking-Leather-Document-Organizer/dp/B0759HJL1M/ref=sr_1_4_sspa?crid=AAD7774077F6&keywords=passport%2Bholder&qid=1658947393&srefix=passport%2Bholder%2Caps%2C89&sr=8-4-spons&spLa=ZW5jcnlwdGVkUXVhbGlmaWVyPUEwWTIxUVIwVTdWNlUjUyY3J5cHRIZEikPUEwNzEyNTAxM1JYQVcyN1paRzJIUyZlbnNyeXB0ZWRBZEikPUEwMDE0NzIzMURNRVM1T0EyTUICUCZ3aWRnZXROYW1IPXNwX2F0ZiZhY3Rpb249Y2xpY2tSZWRpcmVjdCZkb05vdExvZ0NsaWNrPXRydWU&th=1 (Year: 2018).*

“A6 PU Leather Notebook Binder with 12pcs Plastic Binder Pockets, Loose Leaf 6 Ring Binder, Budget Envelope System, Budget Envelopes, Binder Cover with Magnetic Buckle Closure—Pink”, first available Oct. 19, 2020, Amazon.com, site visited Jul. 27, 2022: https://www.amazon.com/Leather-Notebook-Envelope-Envelopes-Magnetic/dp/B08HM393FJ/ref=psdc_1084128_t1_B095XVLR8?th=1 (Year: 2020).*

* cited by examiner

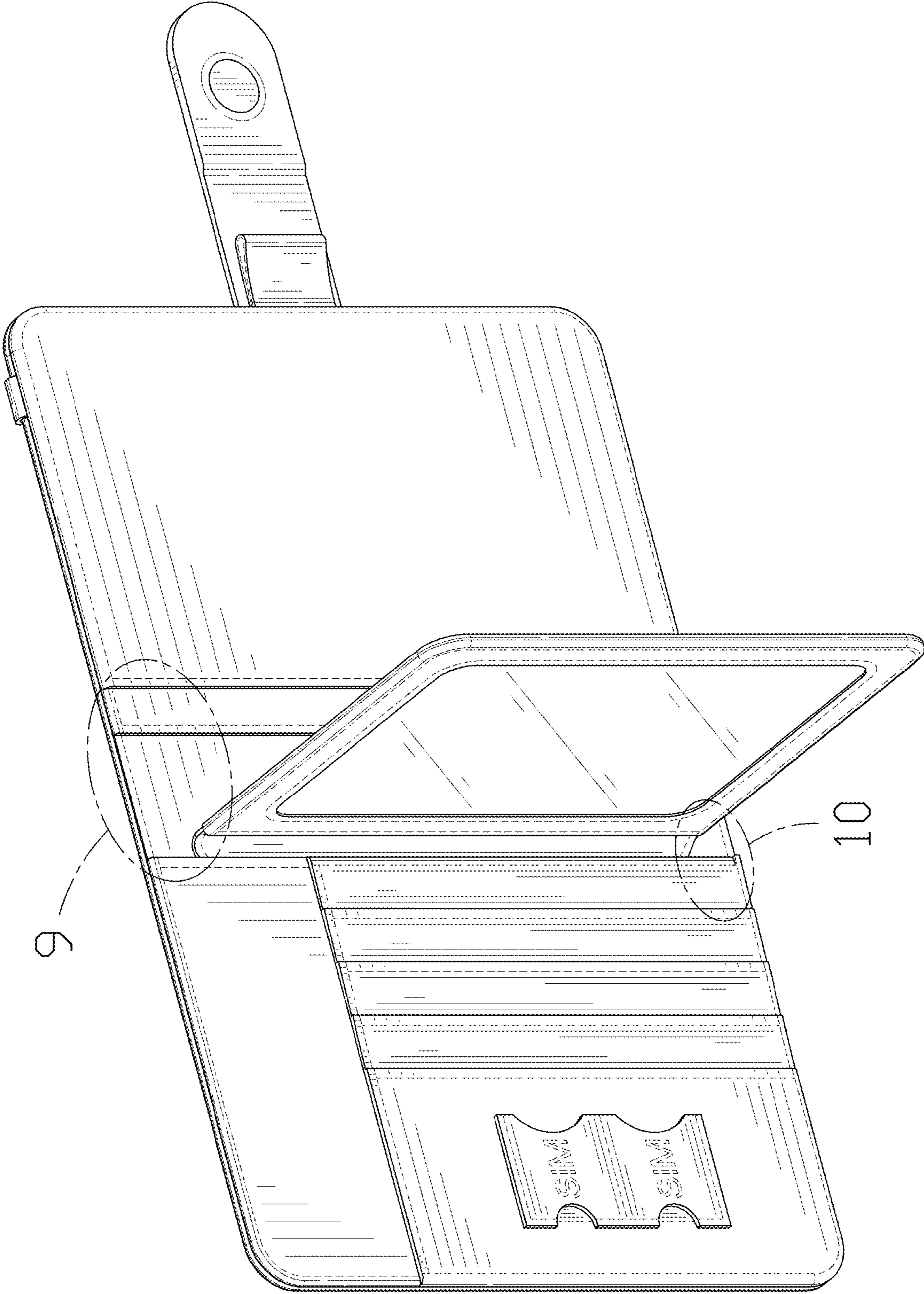
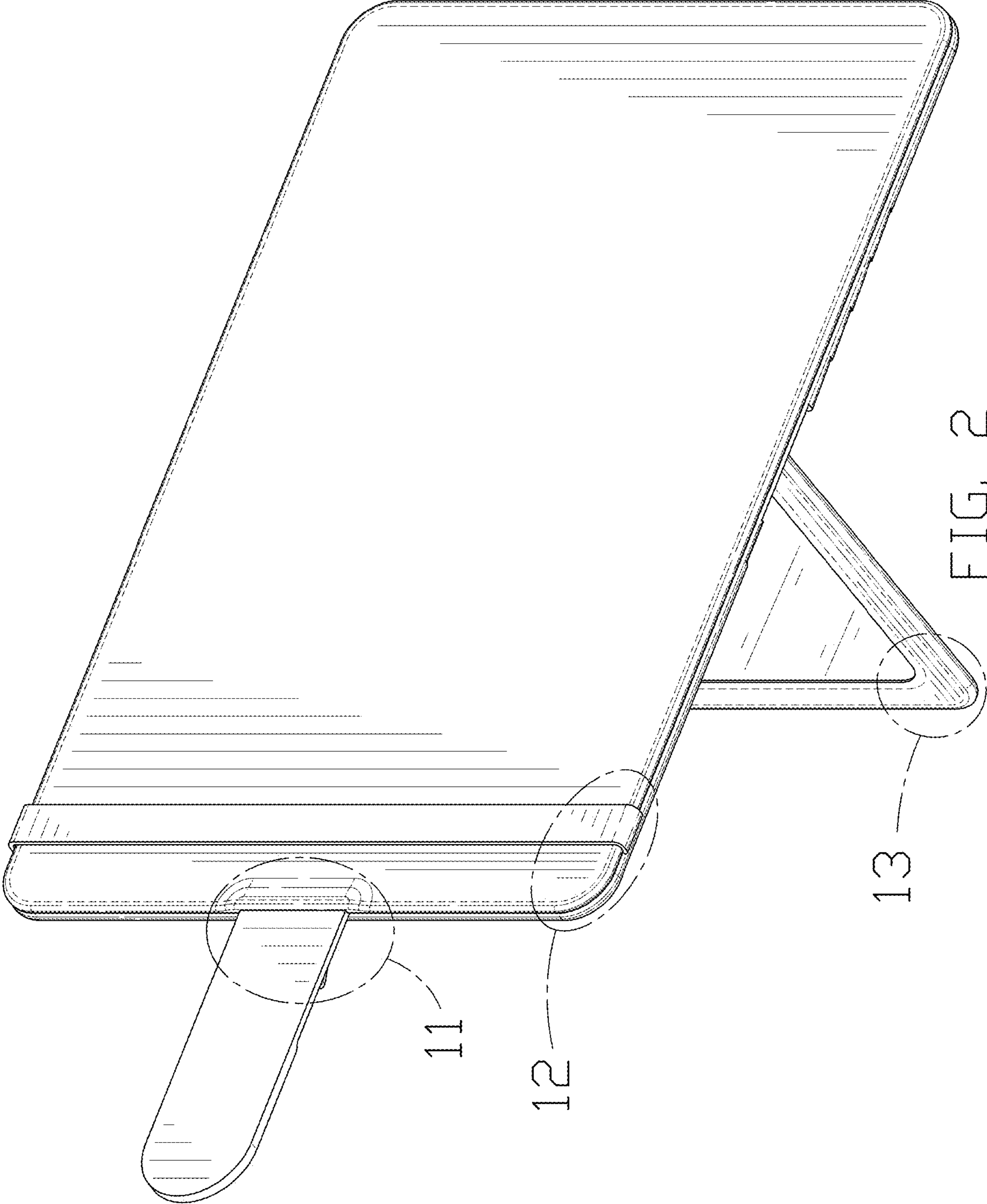


FIG. 1



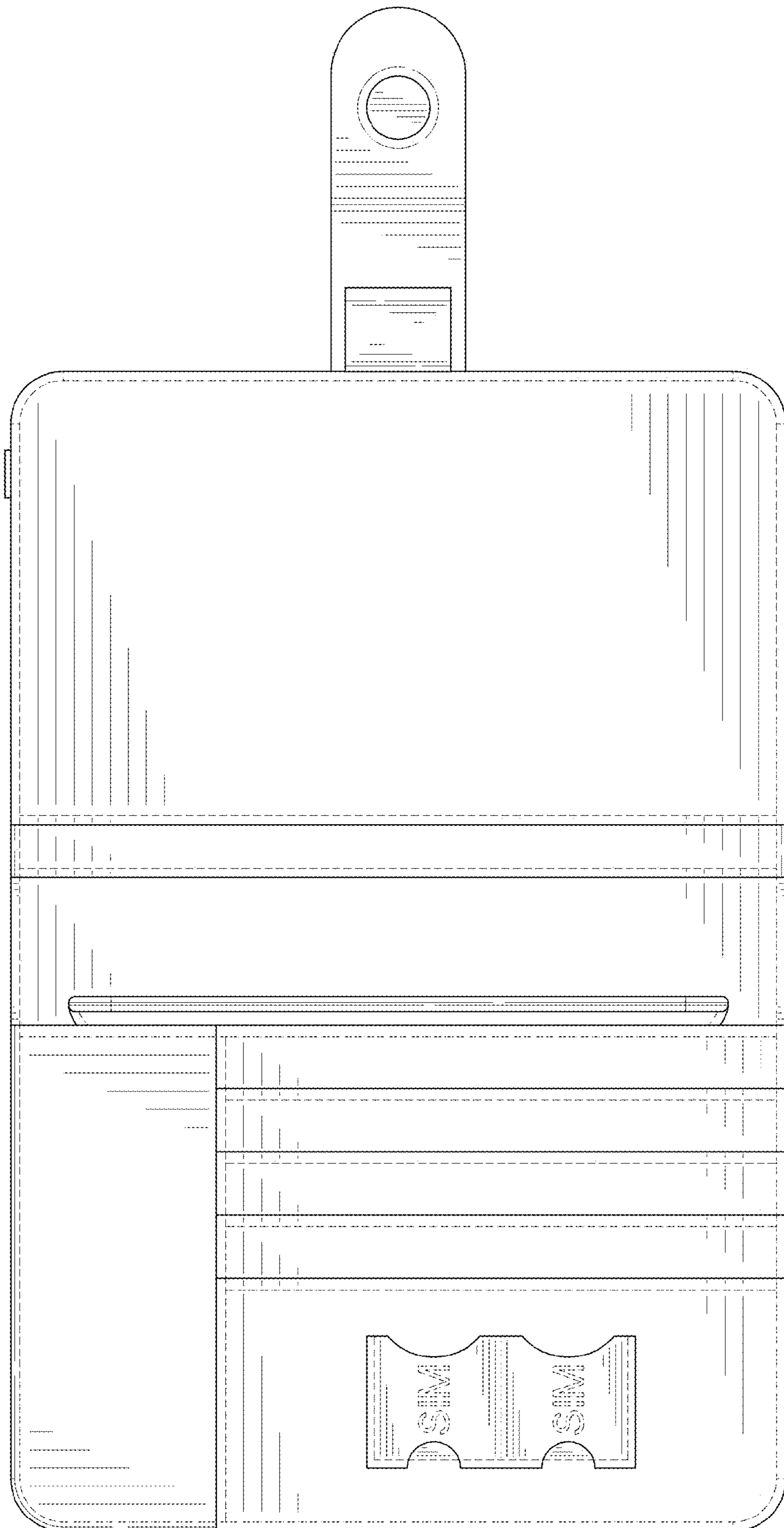


FIG. 3

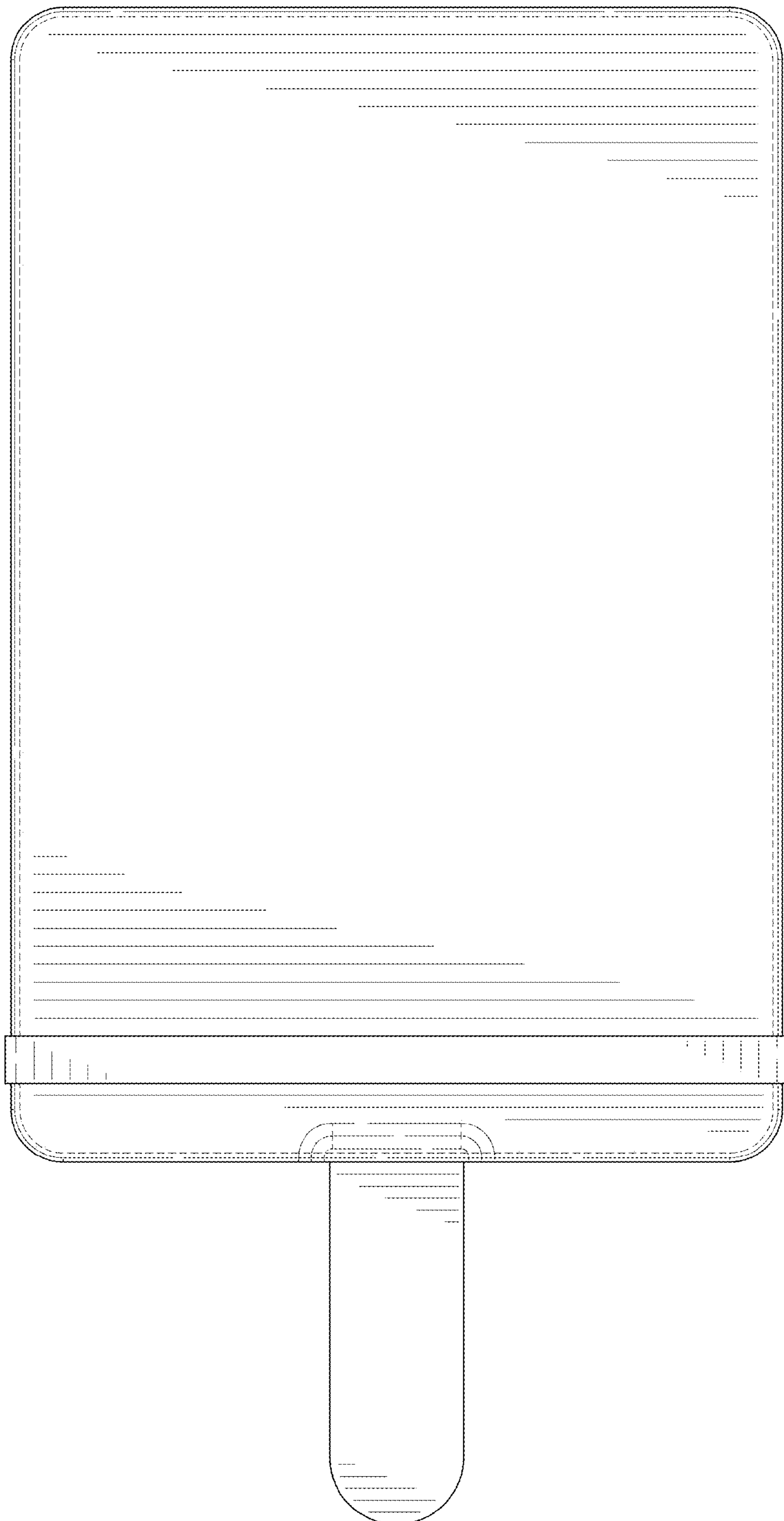


FIG. 4

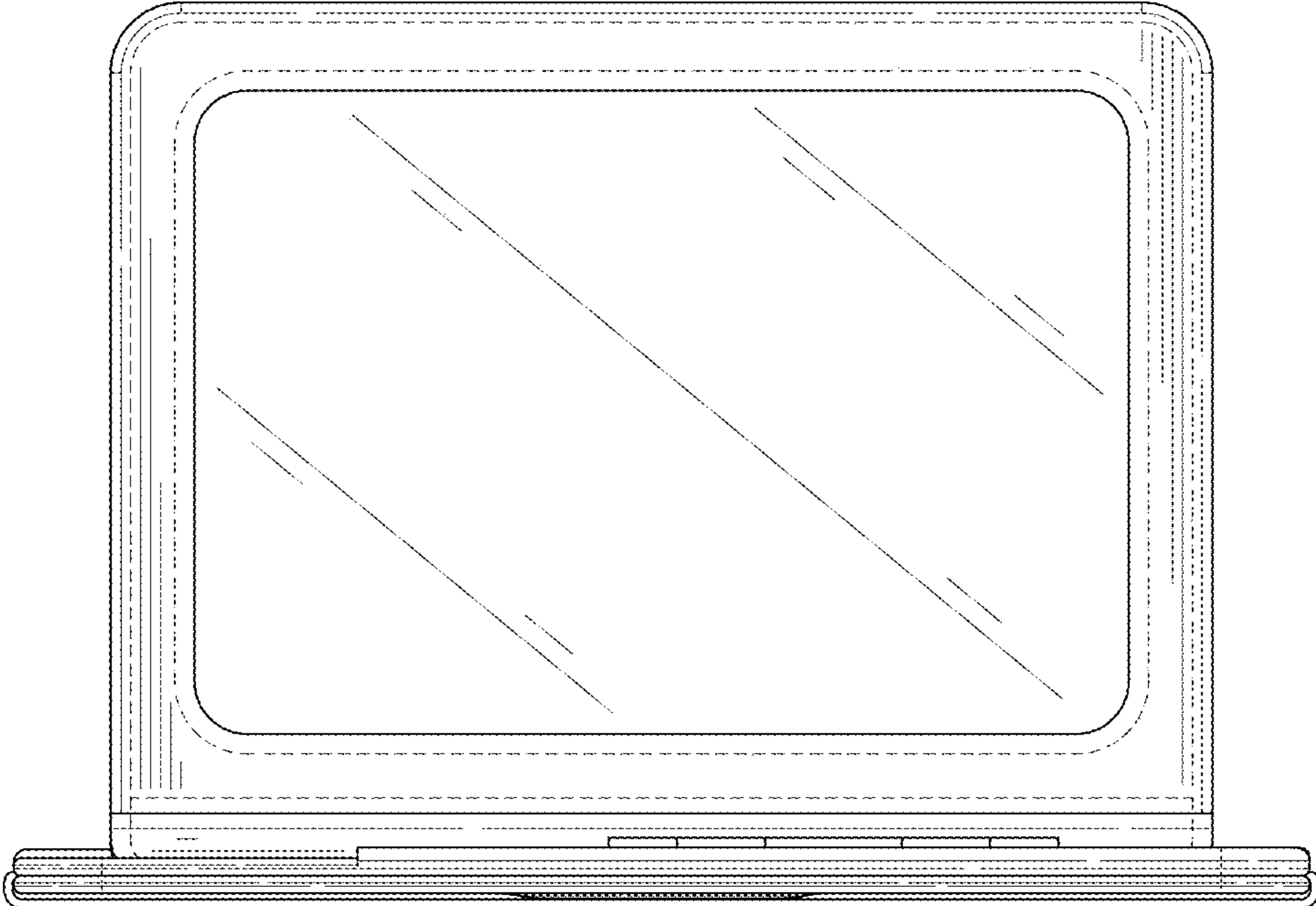


FIG. 5

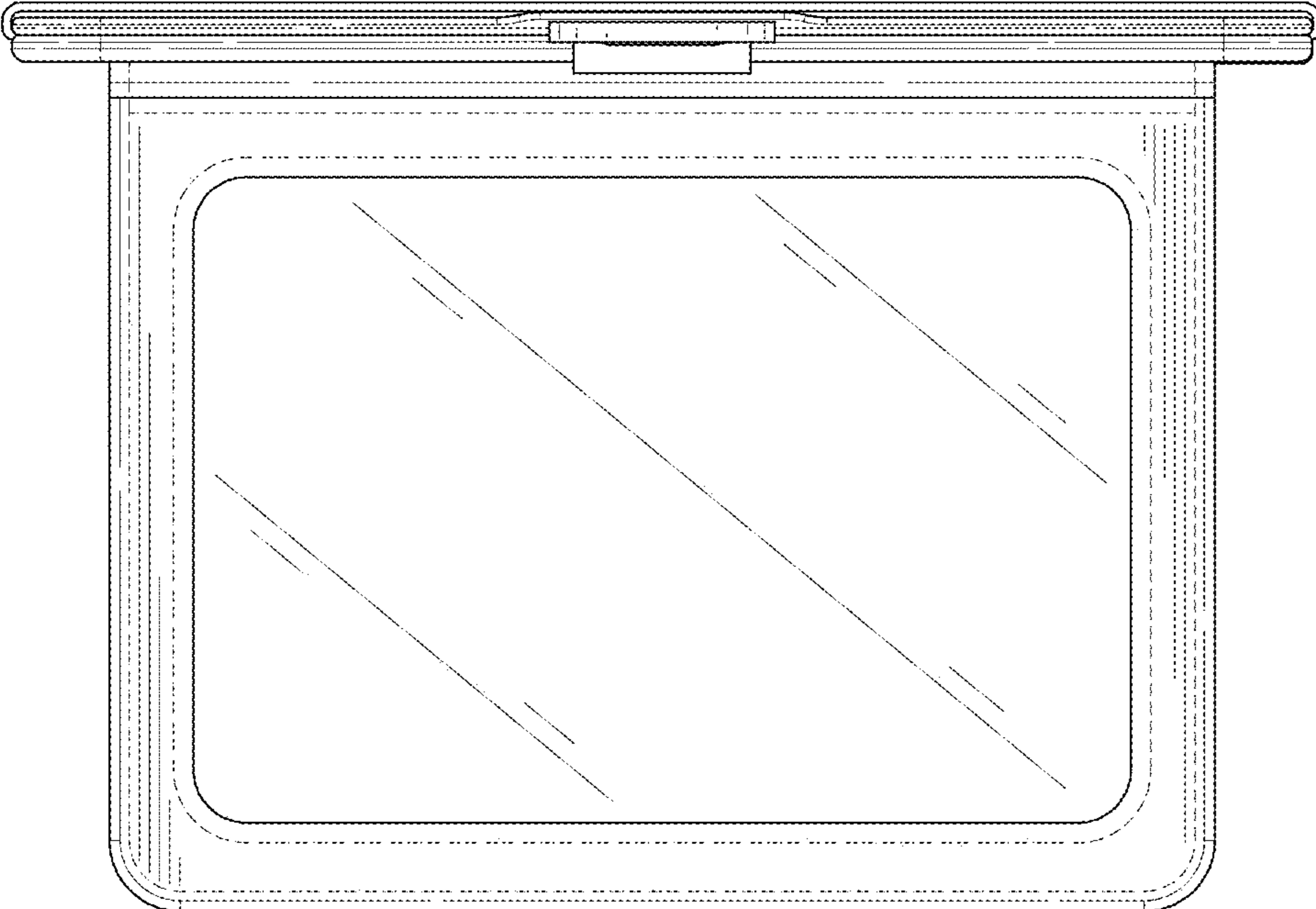


FIG. 6

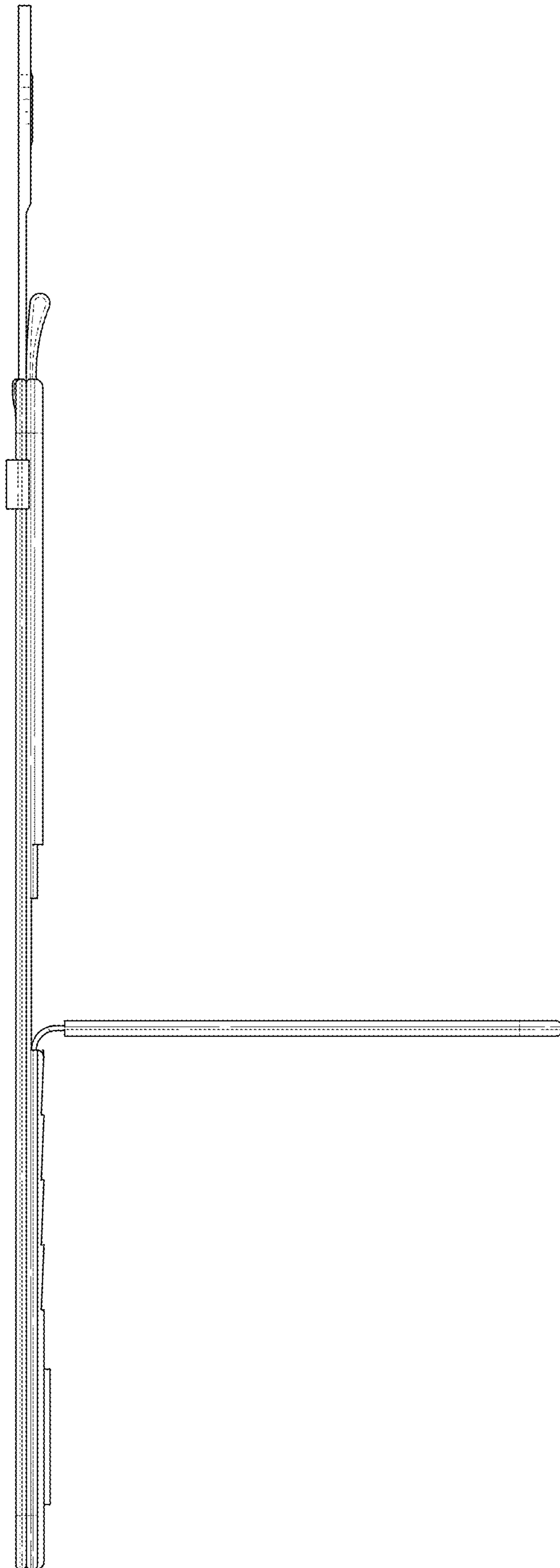


FIG. 7

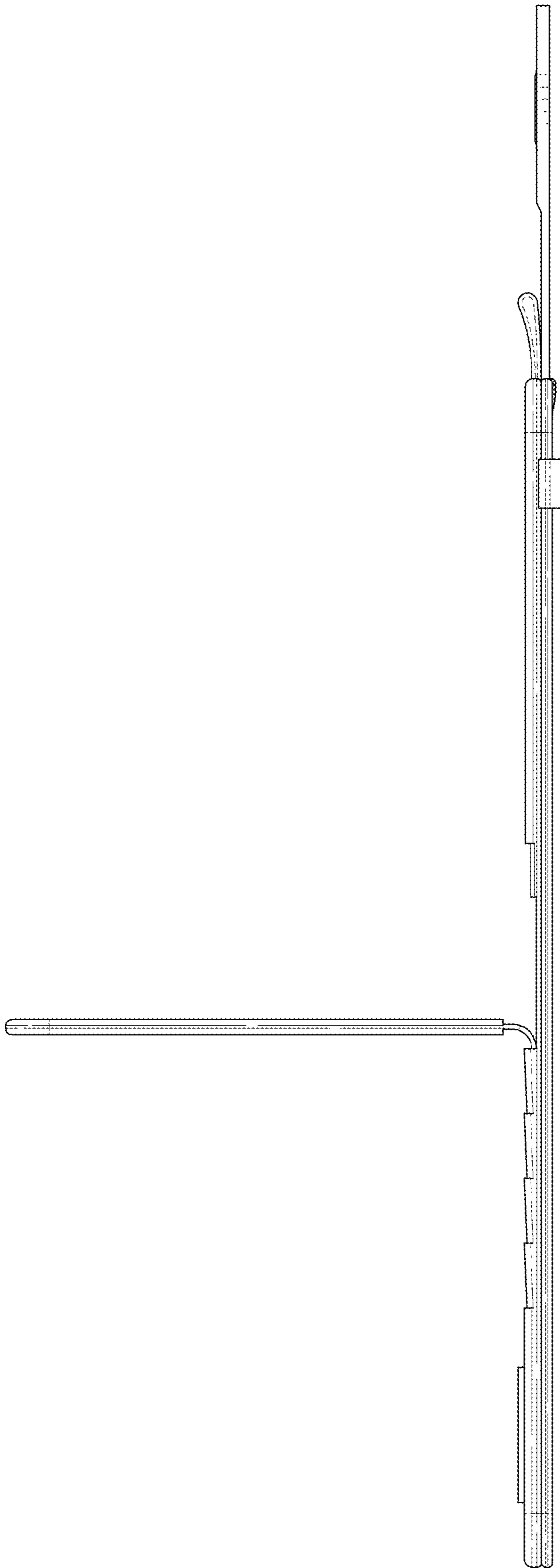


FIG. 8

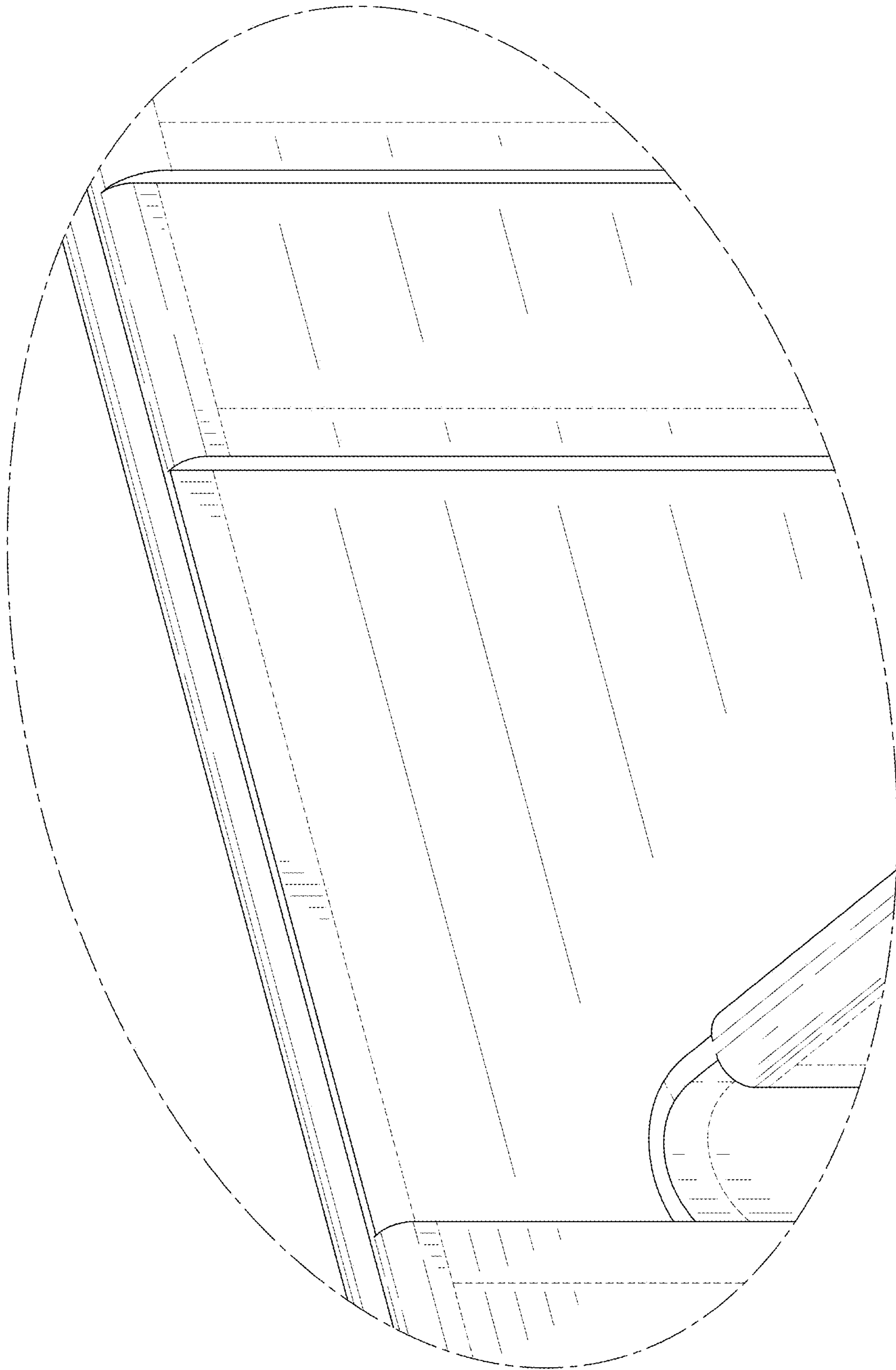


FIG. 9

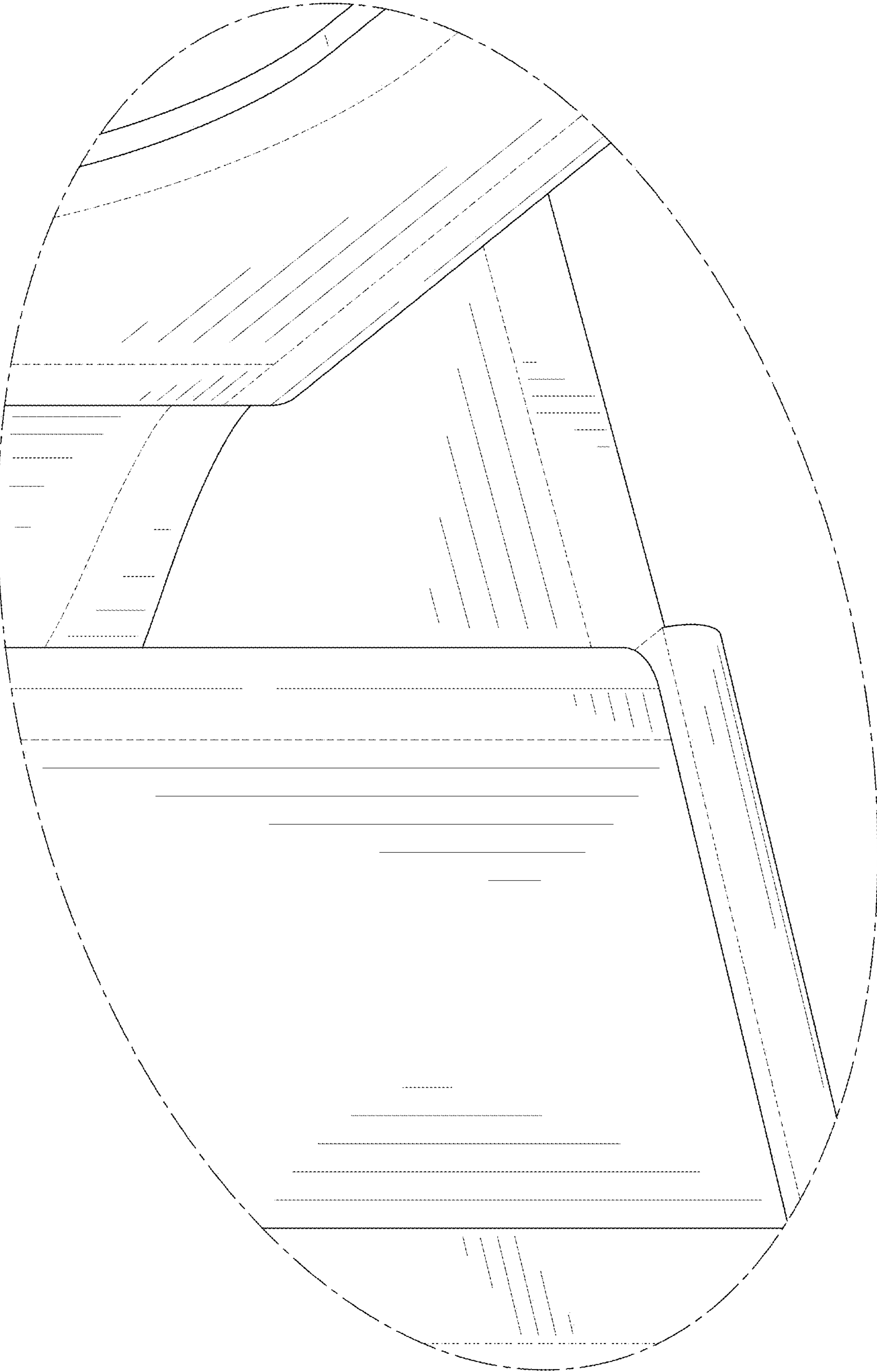


FIG. 10

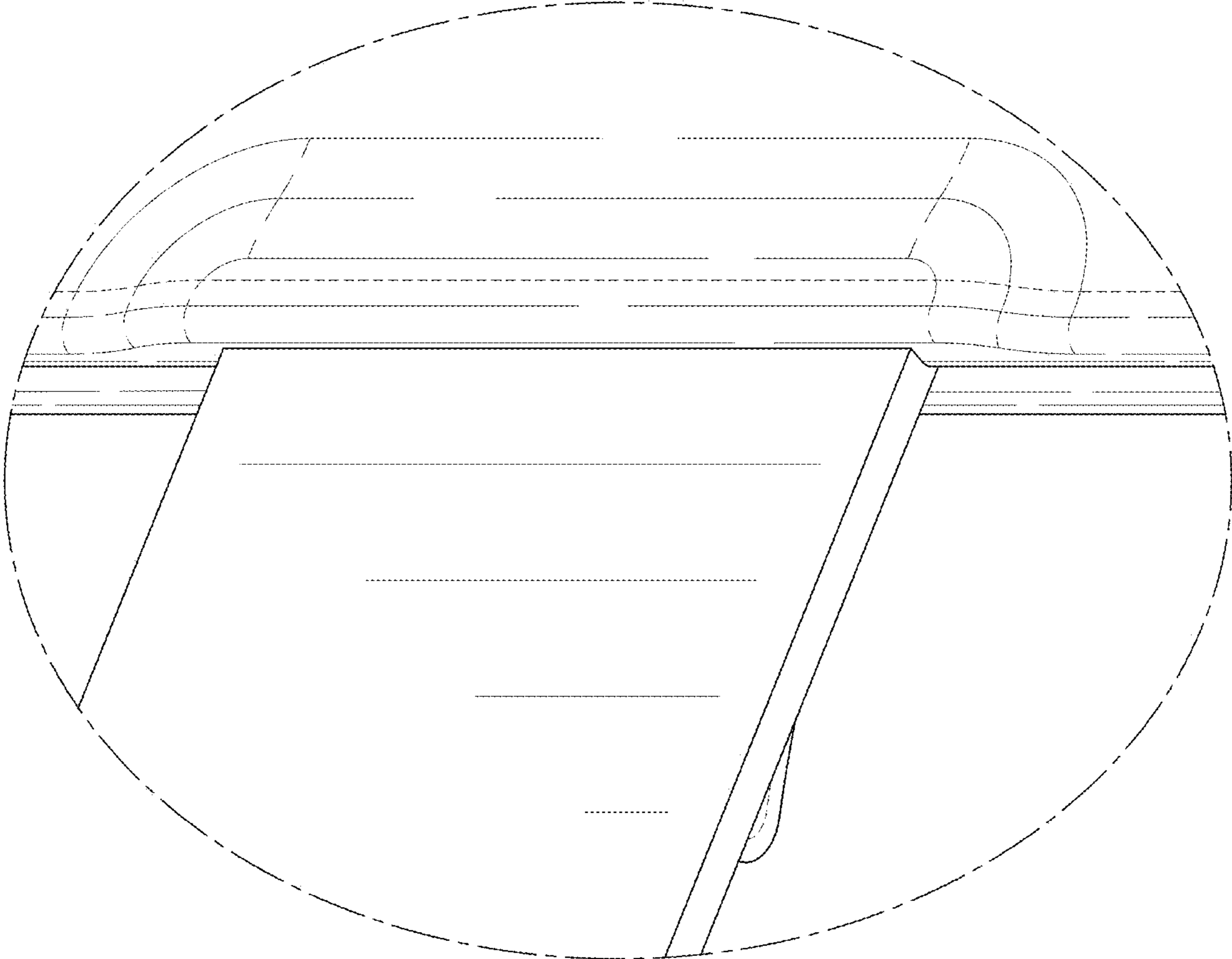


FIG. 11

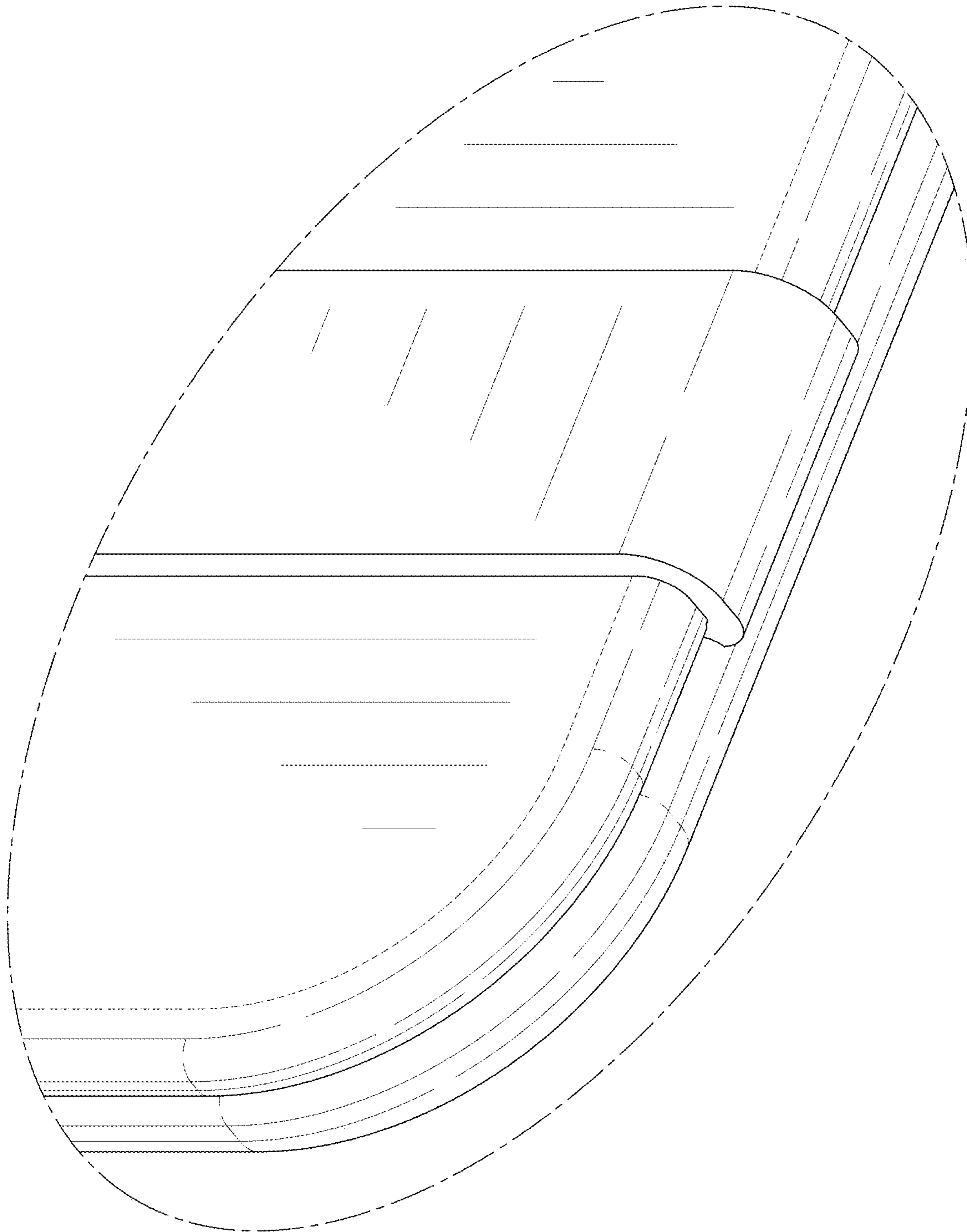


FIG. 12

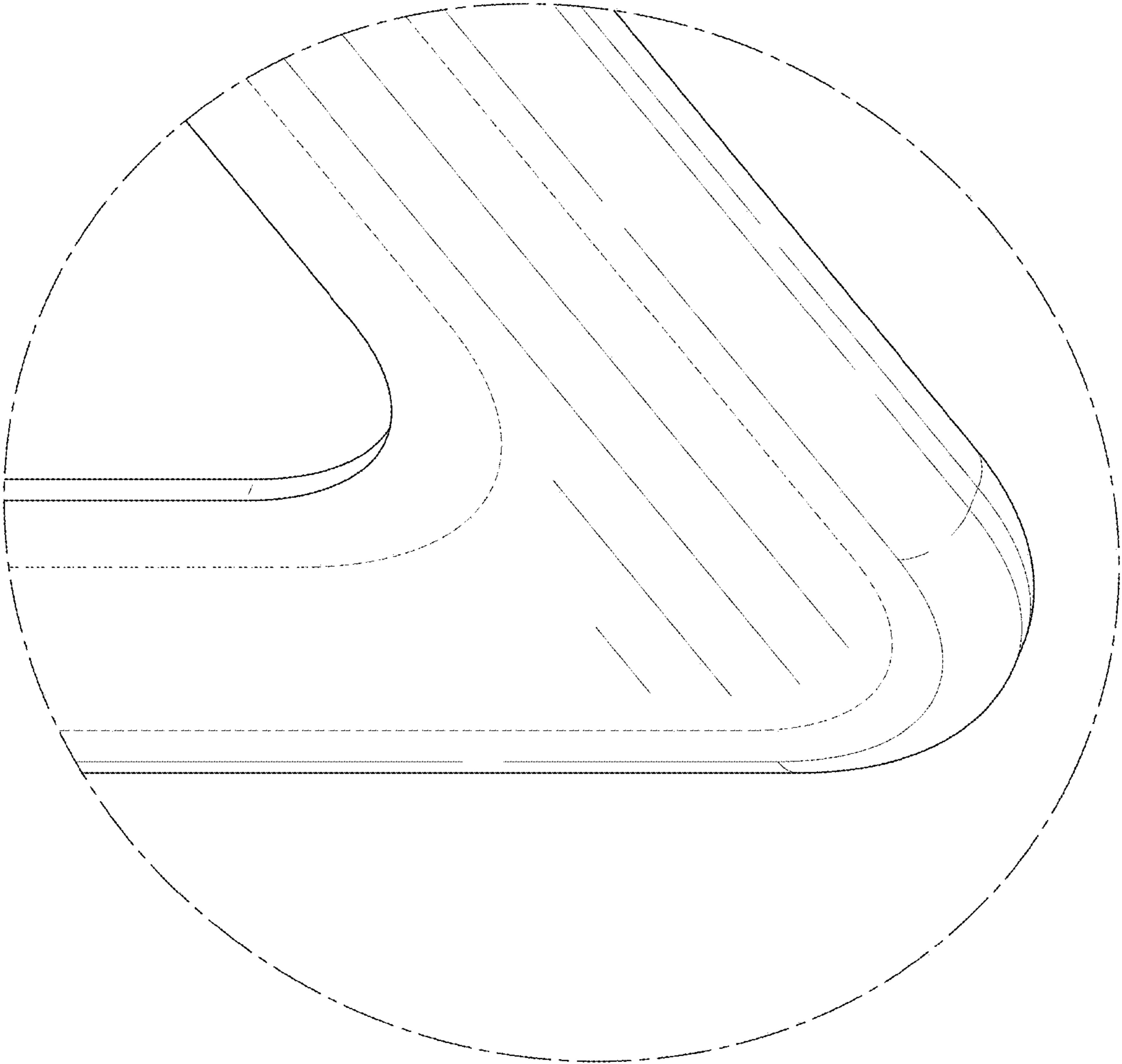


FIG. 13

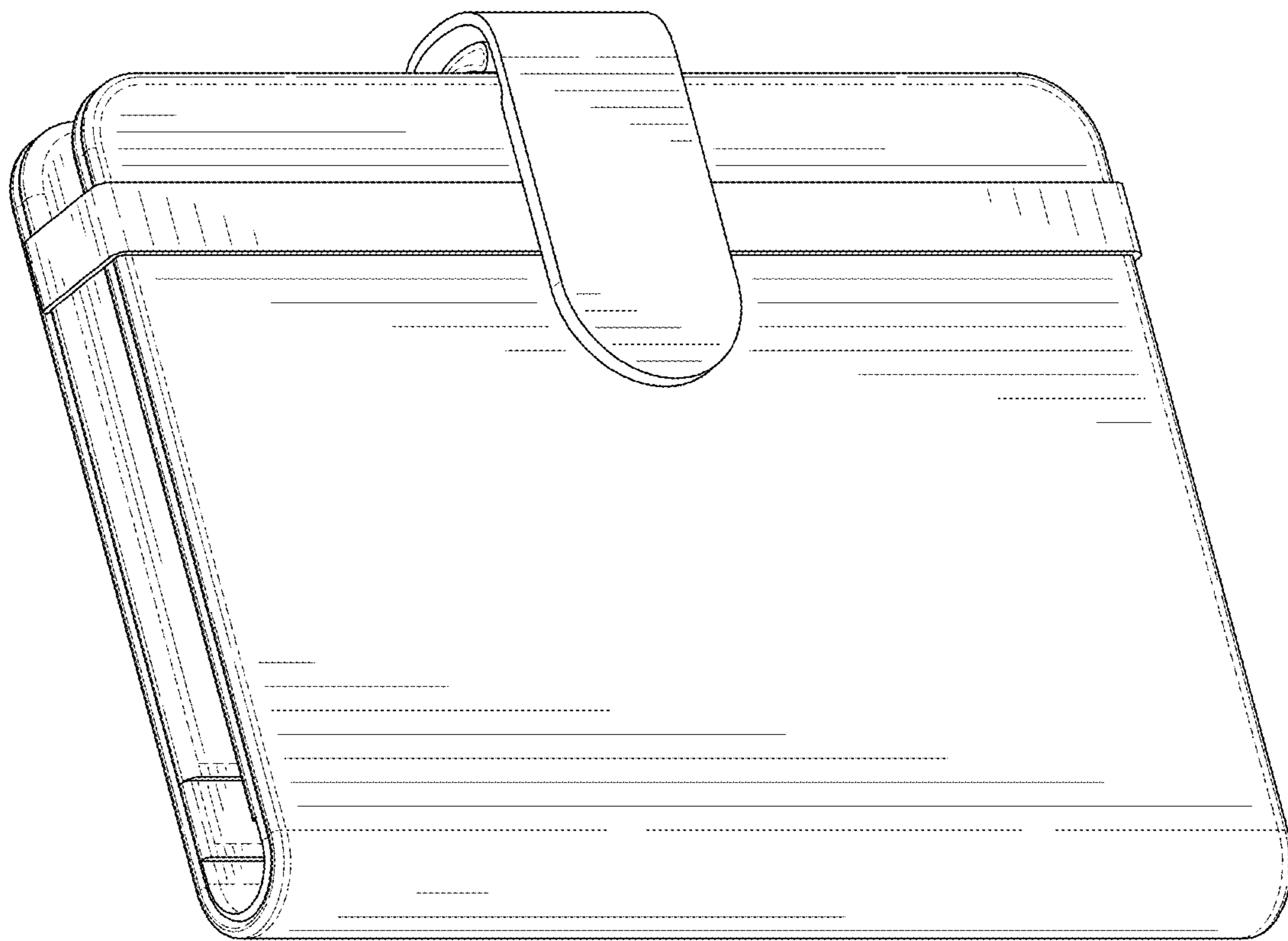


FIG. 14