



US00D988714S

(12) **United States Design Patent**
Huang

(10) **Patent No.:** **US D988,714 S**
(45) **Date of Patent:** **** Jun. 13, 2023**

(54) **SACHEL**

FOREIGN PATENT DOCUMENTS

(71) Applicant: **Wenbo Huang**, Shenzhen (CN)

CN 301495067 * 3/2011
CN 301701086 * 10/2011

(72) Inventor: **Fushou Huang**, Shenzhen (CN)

(Continued)

(**) Term: **15 Years**

Primary Examiner — Michelle E. Wilson

Assistant Examiner — Christopher John Suarez La Rosa

(21) Appl. No.: **29/823,332**

(74) *Attorney, Agent, or Firm* — Che-Yang Chen; Law Office of Michael Chen

(22) Filed: **Jan. 17, 2022**

(51) **LOC (14) Cl.** **03-01**

(57) **CLAIM**

(52) **U.S. Cl.**

The ornamental design for a satchel, as shown and described.

USPC **D3/230**

(58) **Field of Classification Search**

DESCRIPTION

USPC D3/216–217, 226, 230, 232–233,
D3/242–246, 273, 289–290, 318, 321–323
CPC ... A45C 2003/007; A45C 13/18; A45C 13/24;
A45C 13/126; A45C 13/149; A45C
13/185; A45C 1/04; A45C 1/06; A45C
11/182; A45C 2001/062; A45C 2001/065;
A45C 2001/067; A45C 2001/186; A45C
1/024; A45C 3/06; A45C 3/08; A45C
1/02; A45F 3/04; A45F 3/042; A45F
3/047; A45F 3/08; A45F 3/10; A45F
3/14; A45F 5/02; H04M 1/72409; G06F
1/1626; F28F 21/00

See application file for complete search history.

FIG. 1 is a perspective view of the satchel showing my new design;
FIG. 2 is a perspective view thereof from another angle;
FIG. 3 is a front elevational view thereof;
FIG. 4 is a rear elevational view thereof;
FIG. 5 is a left side elevational view thereof;
FIG. 6 is a right side elevational view thereof;
FIG. 7 is a top plan view thereof;
FIG. 8 is a bottom plan view thereof;
FIG. 9 is a perspective view thereof, showing the satchel in a closed configuration;
FIG. 10 is a perspective view thereof, showing the satchel in a closed configuration from another angle; and,
FIG. 11 is a partial enlarged view of portion 11 in FIG. 1. The dash-dash broken lines depict portions of the satchel that form no part of the claimed design. The short-dash long-dash lines in FIGS. 1 and 11 represent the bounds of the enlargement taken from FIG. 1 and forms no part of the claimed design.

The satchel is shown with a symbolic break in its length. The appearance of any portion of the article between the break line forms no part of the claimed design.

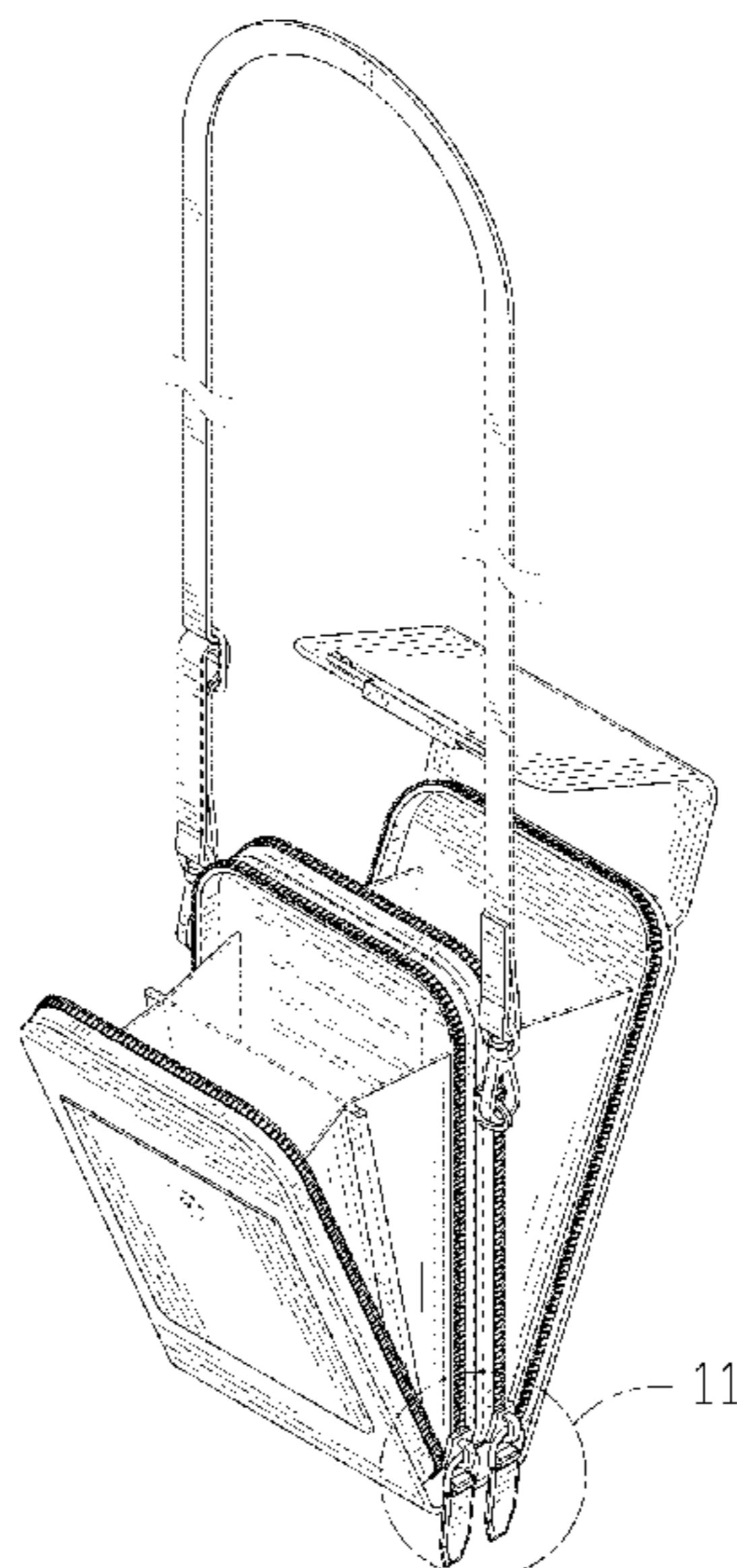
(56) **References Cited**

U.S. PATENT DOCUMENTS

1,668,405 A * 5/1928 Howell A45C 11/38
206/316.2
D266,971 S * 11/1982 Katz D3/246
D343,951 S * 2/1994 Petty D3/249
D345,254 S * 3/1994 Bodden D3/246
D351,062 S * 10/1994 Shapland D3/242
5,439,154 A * 8/1995 Delligatti A45F 3/02
224/601
D369,676 S * 5/1996 Palmer D3/268
D406,456 S * 3/1999 McDermott D3/232

(Continued)

1 Claim, 11 Drawing Sheets



(56)

References Cited

U.S. PATENT DOCUMENTS

D478,420 S * 8/2003 Li D3/289
D530,084 S * 10/2006 Wilson D3/249
D677,891 S * 3/2013 Janus D3/289
D745,271 S 12/2015 Slimane
D762,974 S * 8/2016 Romano D3/243
D831,347 S 10/2018 Marzin et al.
D868,461 S * 12/2019 Gvasalia D3/243
D909,056 S 2/2021 Law

FOREIGN PATENT DOCUMENTS

CN 302004571 * 7/2012
CN 306324937 * 2/2021
GB 236804 A * 7/1925

* cited by examiner

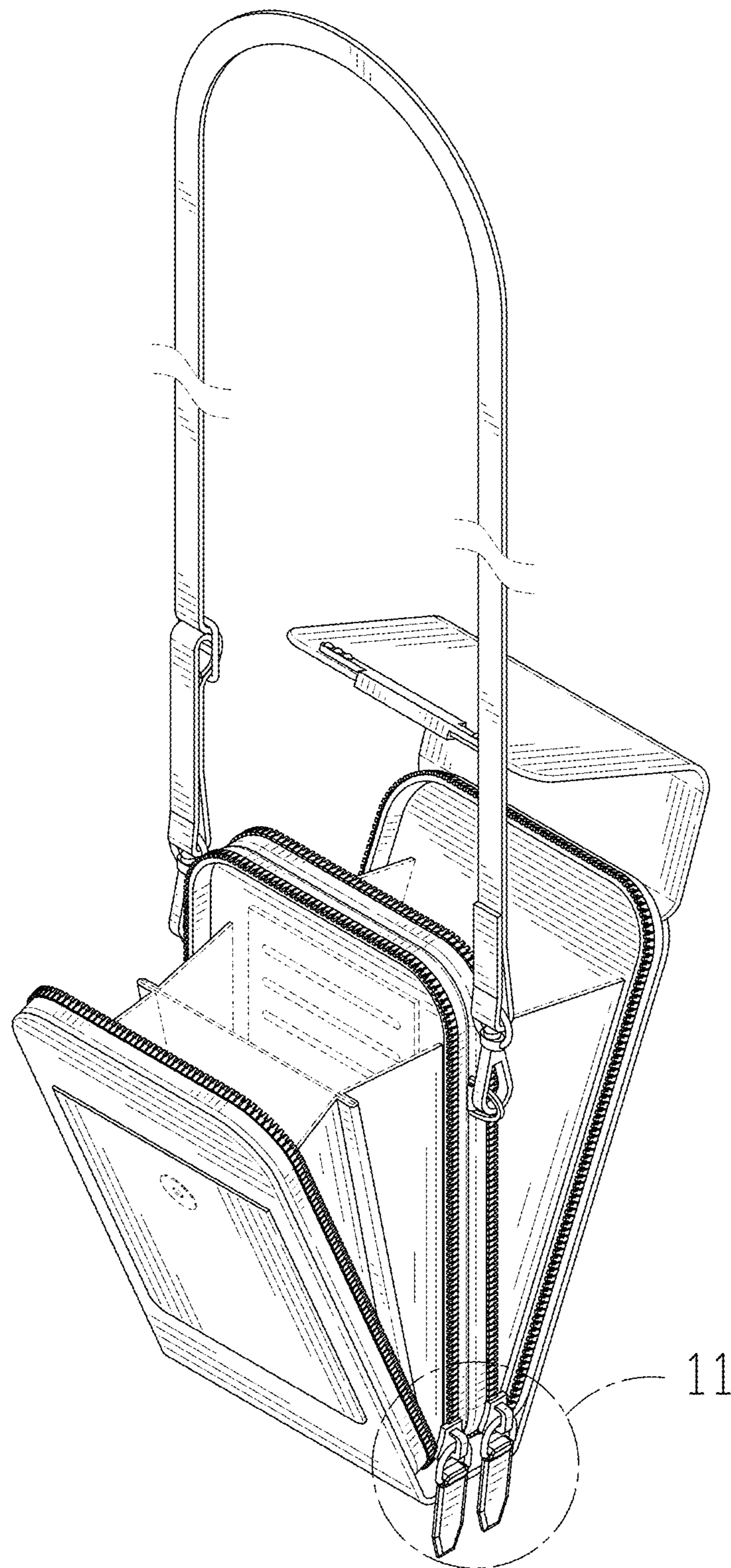


FIG. 1

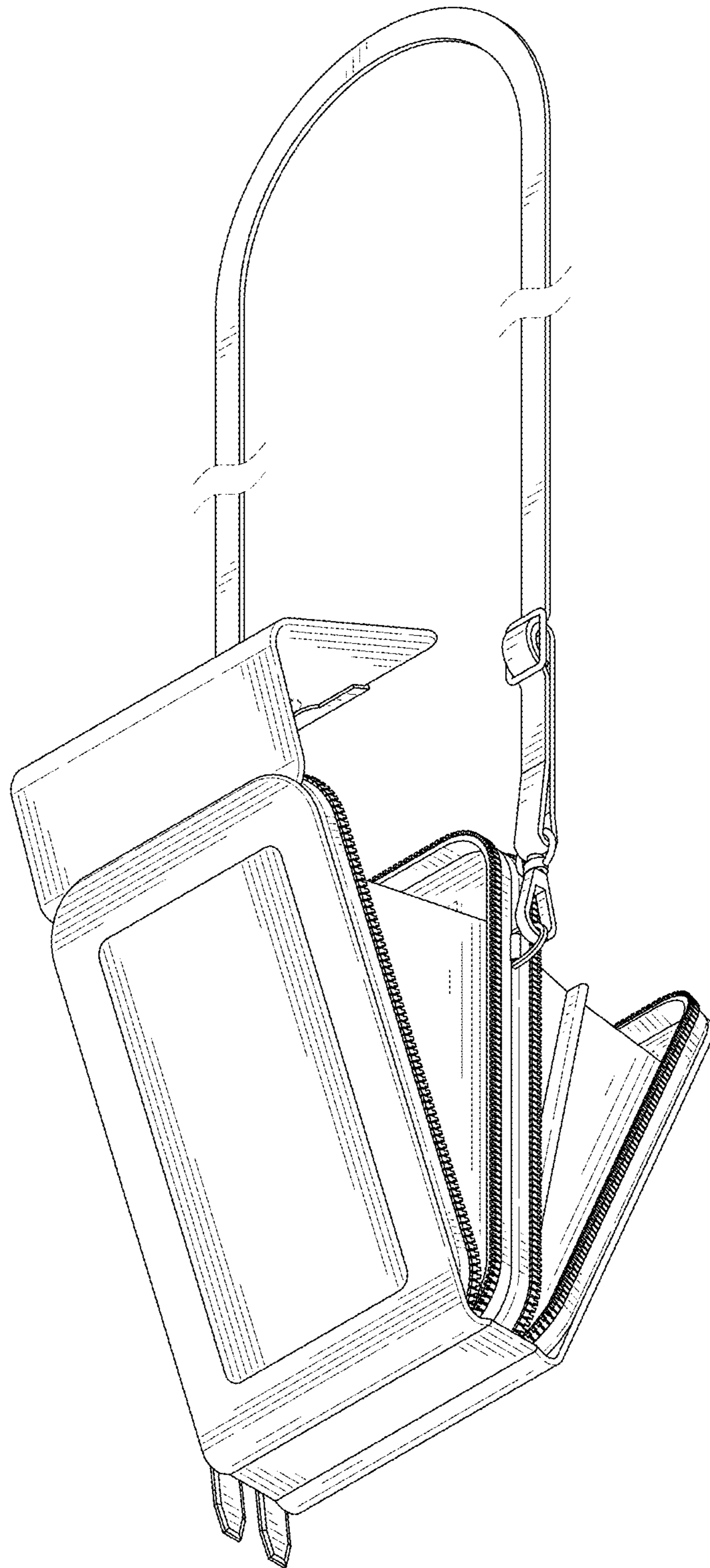


FIG. 2

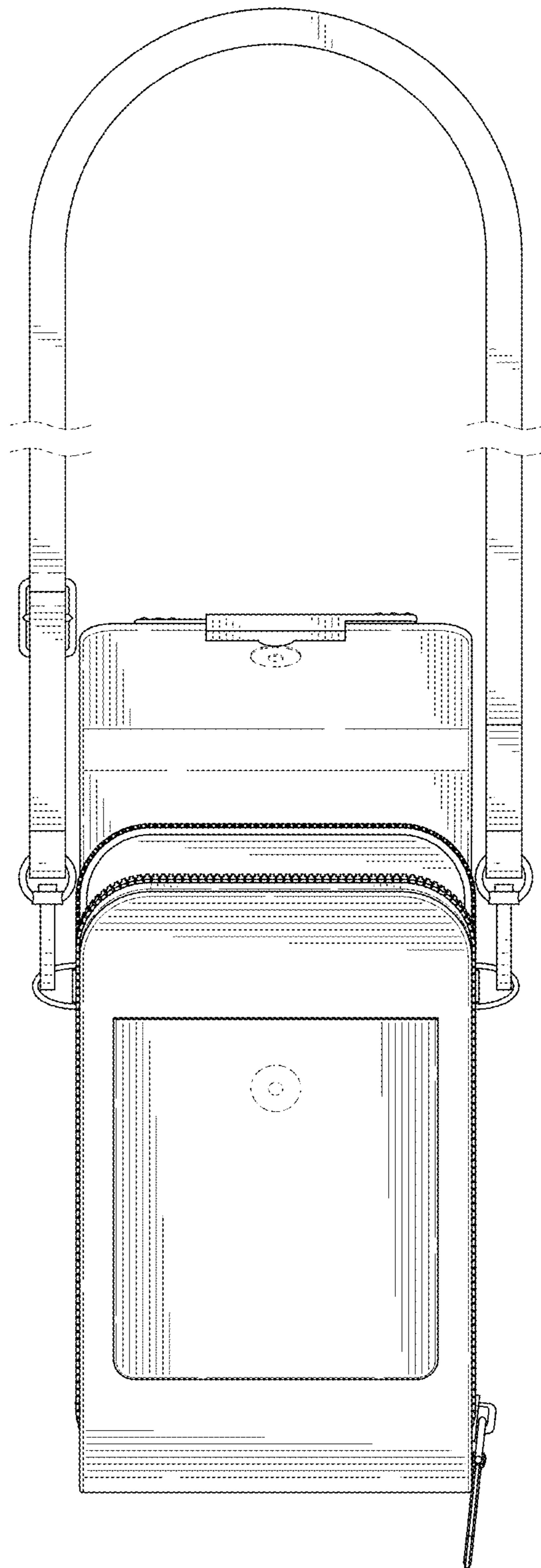


FIG. 3

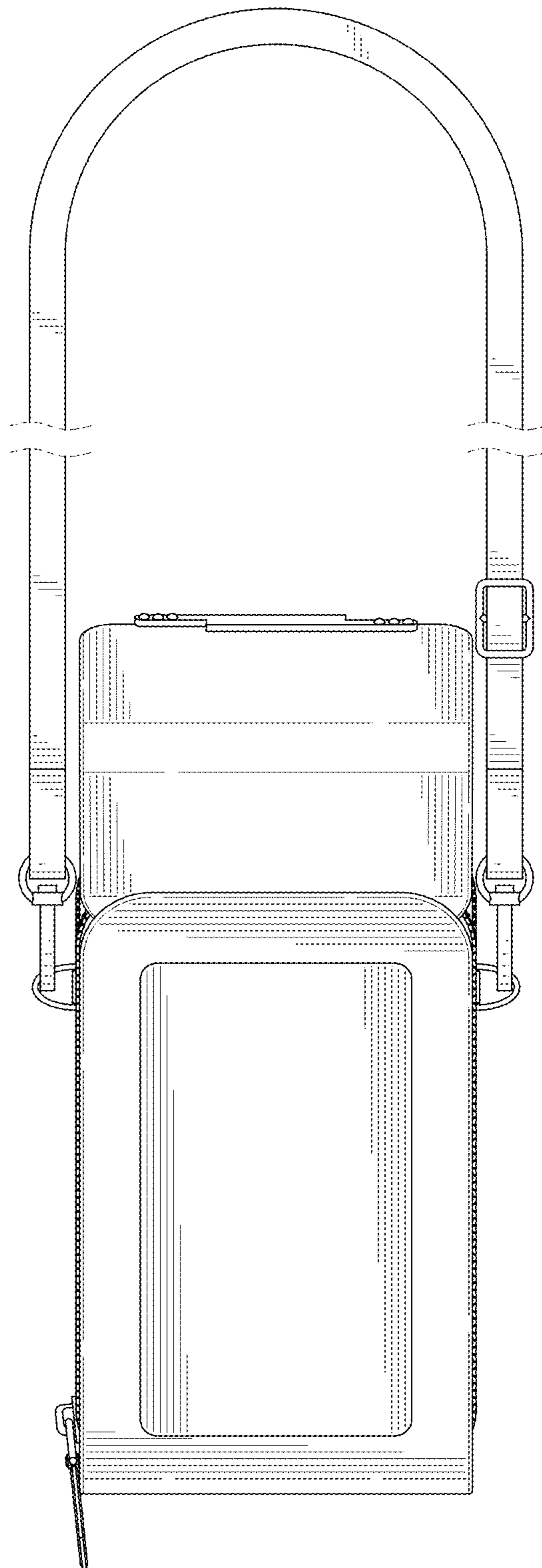


FIG. 4

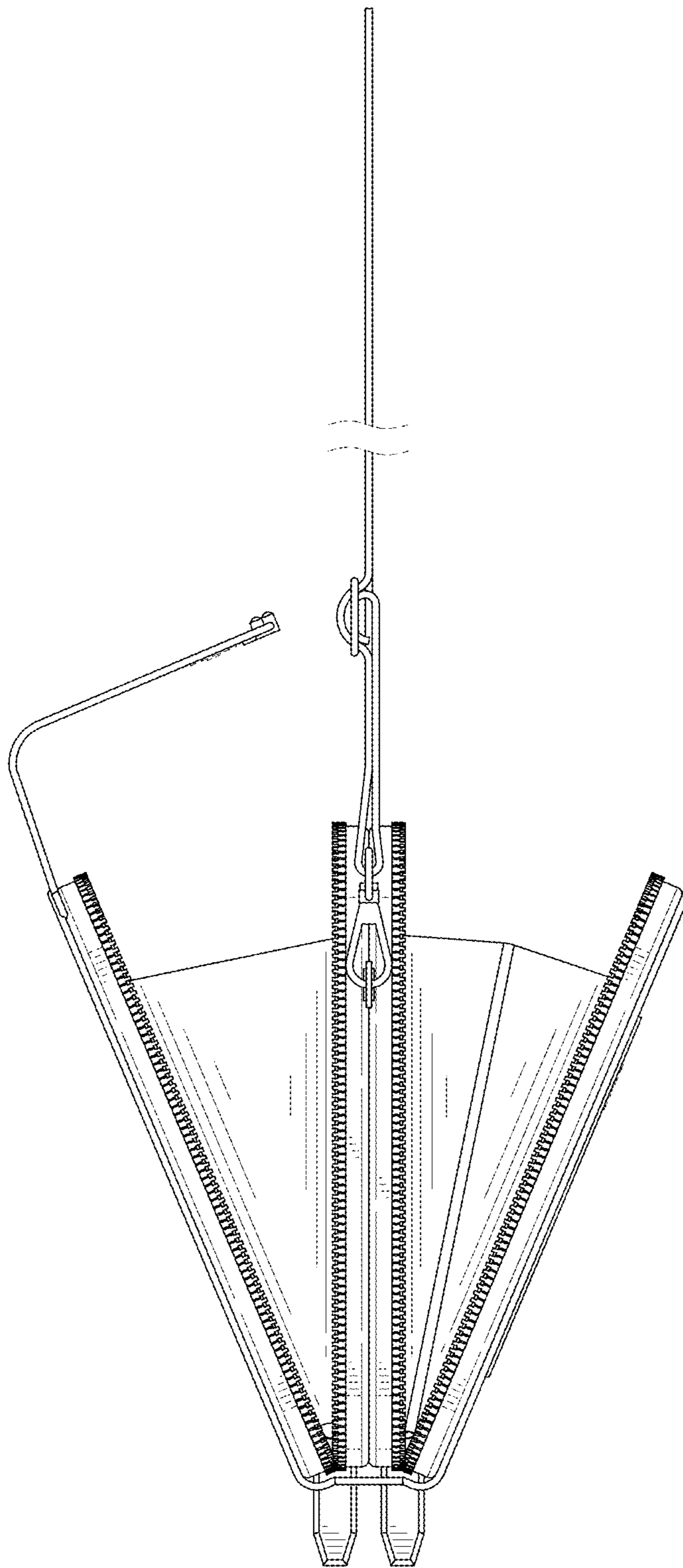


FIG. 5

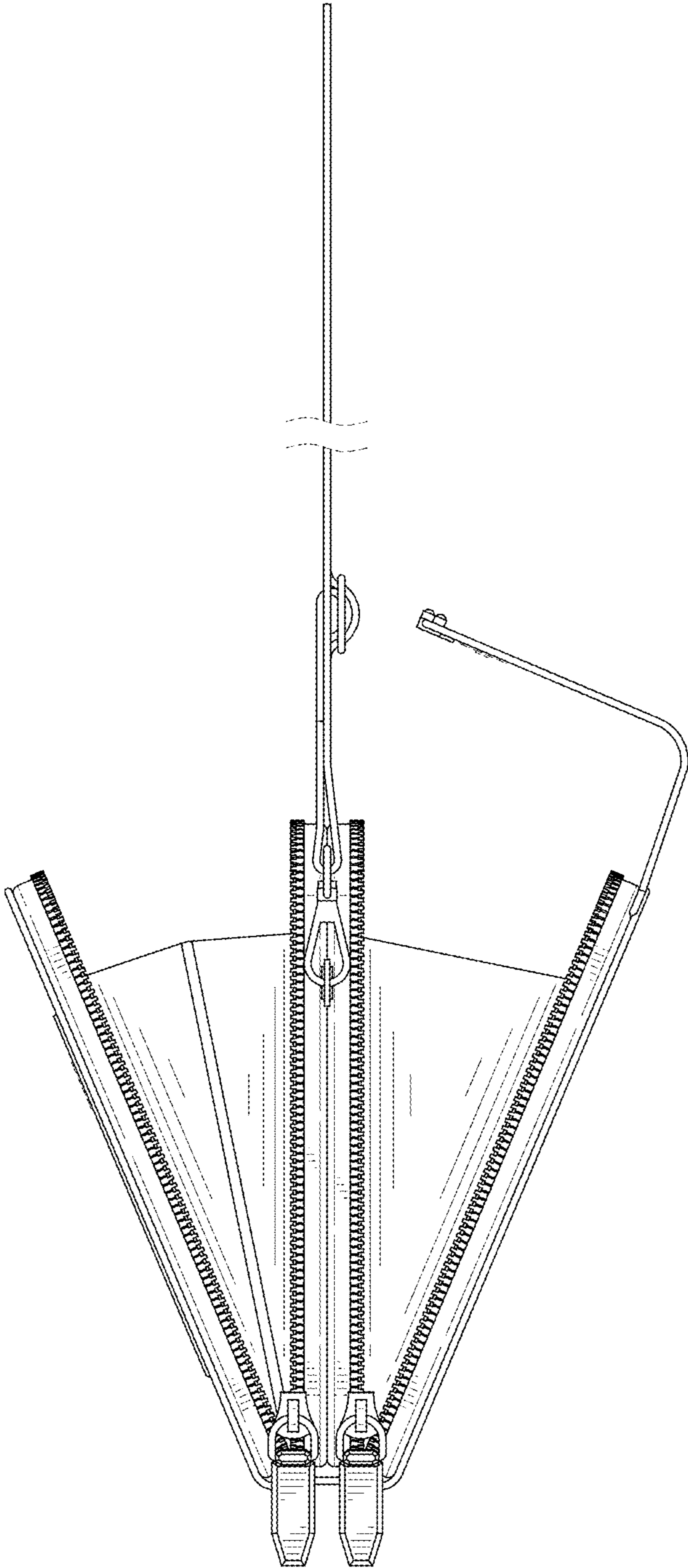


FIG. 6

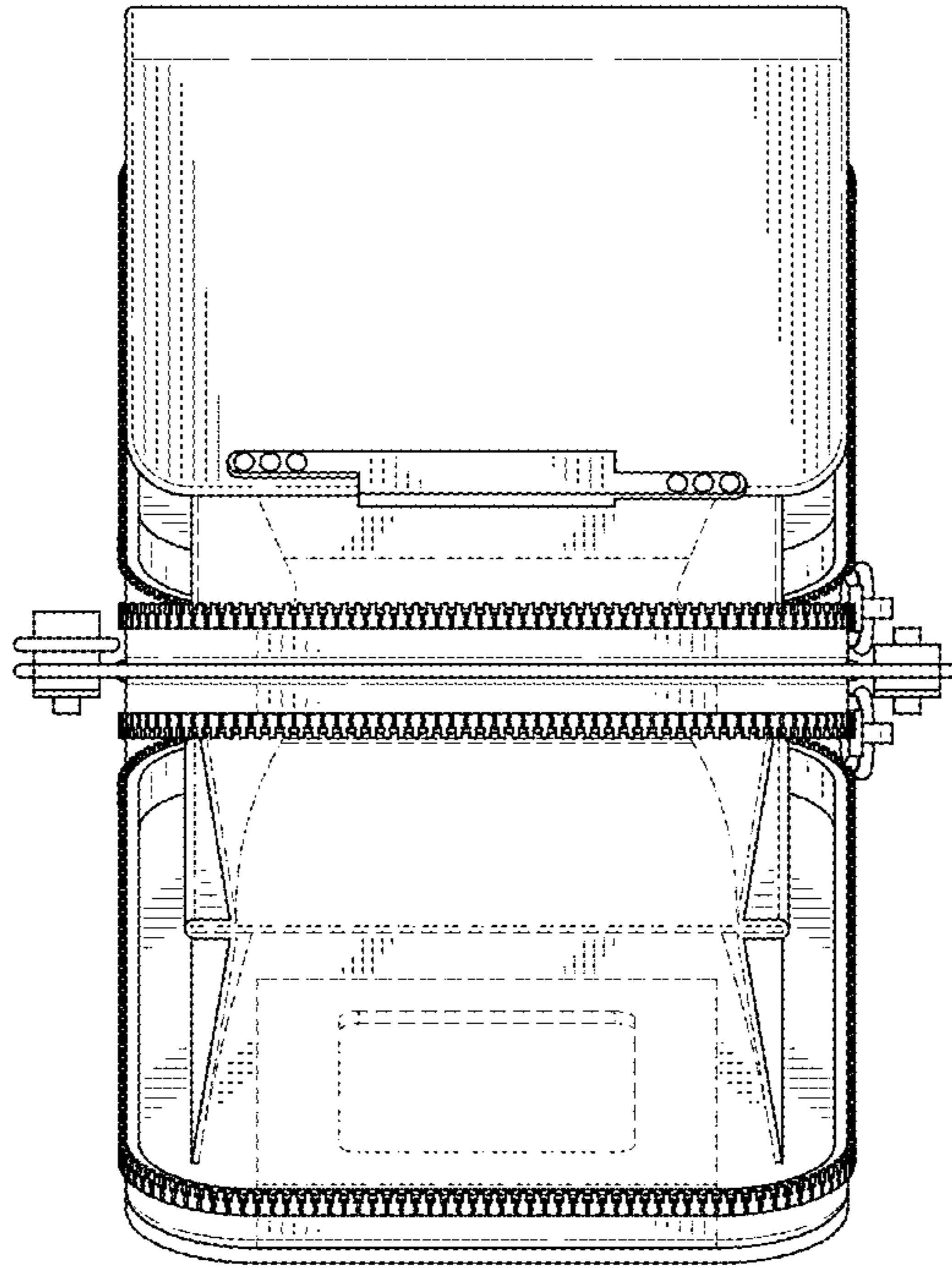


FIG. 7

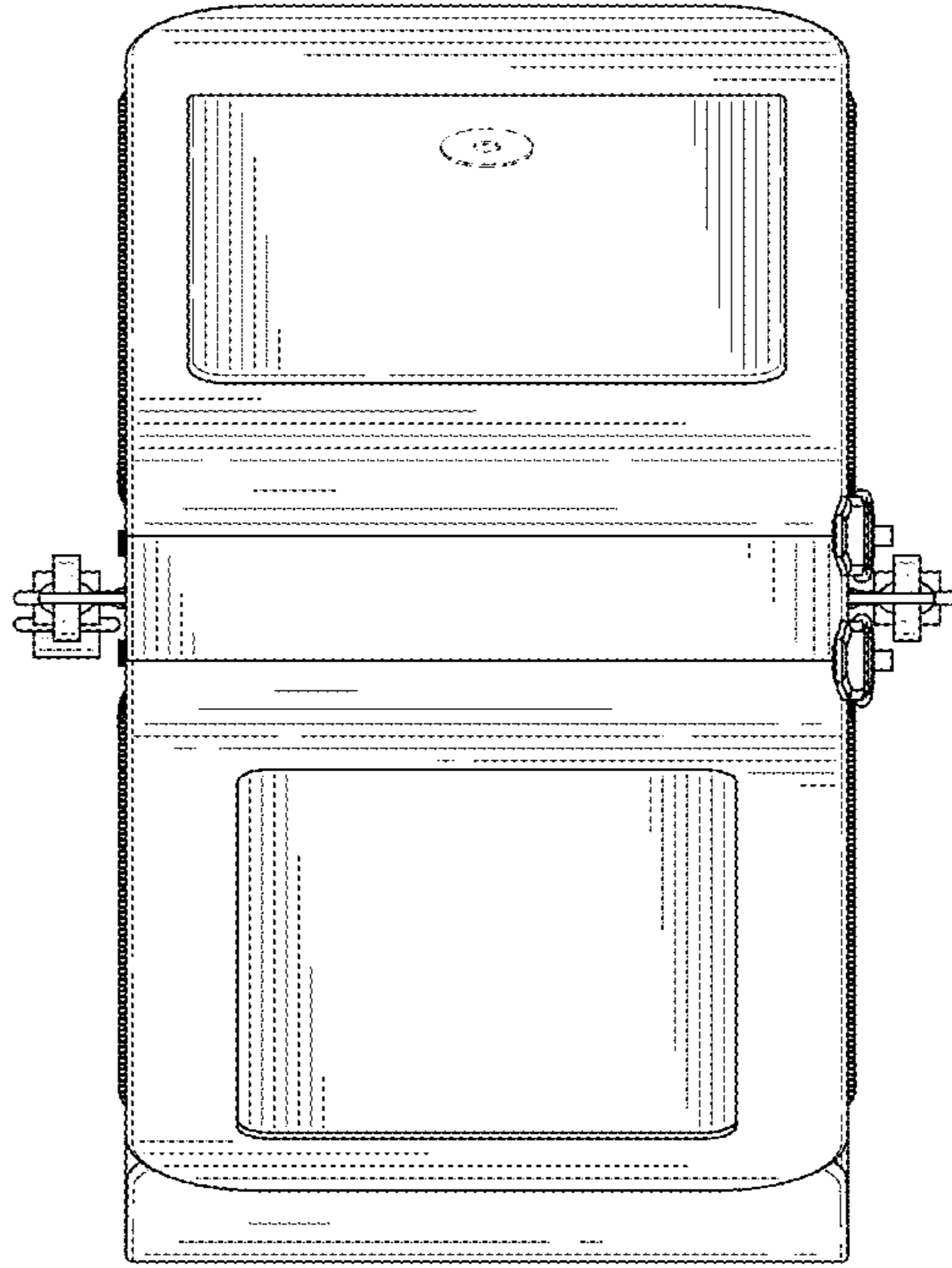


FIG. 8

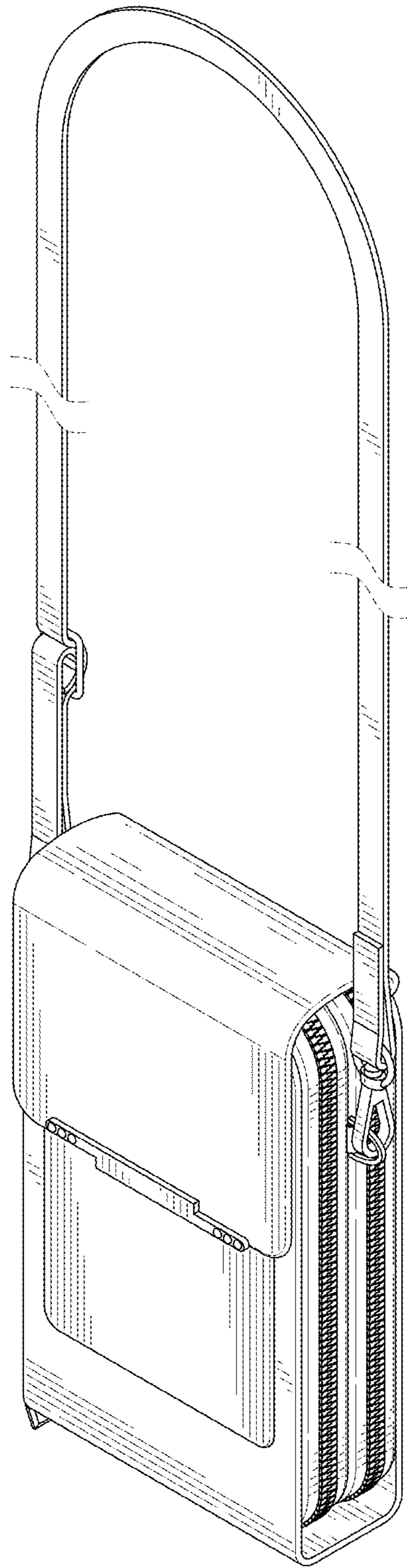


FIG. 9

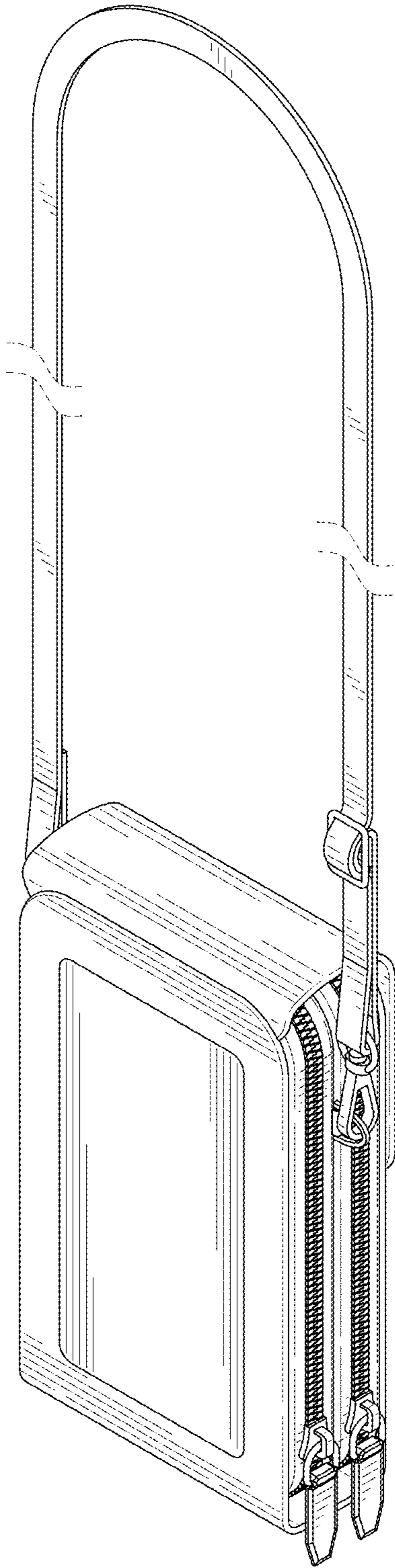


FIG. 10

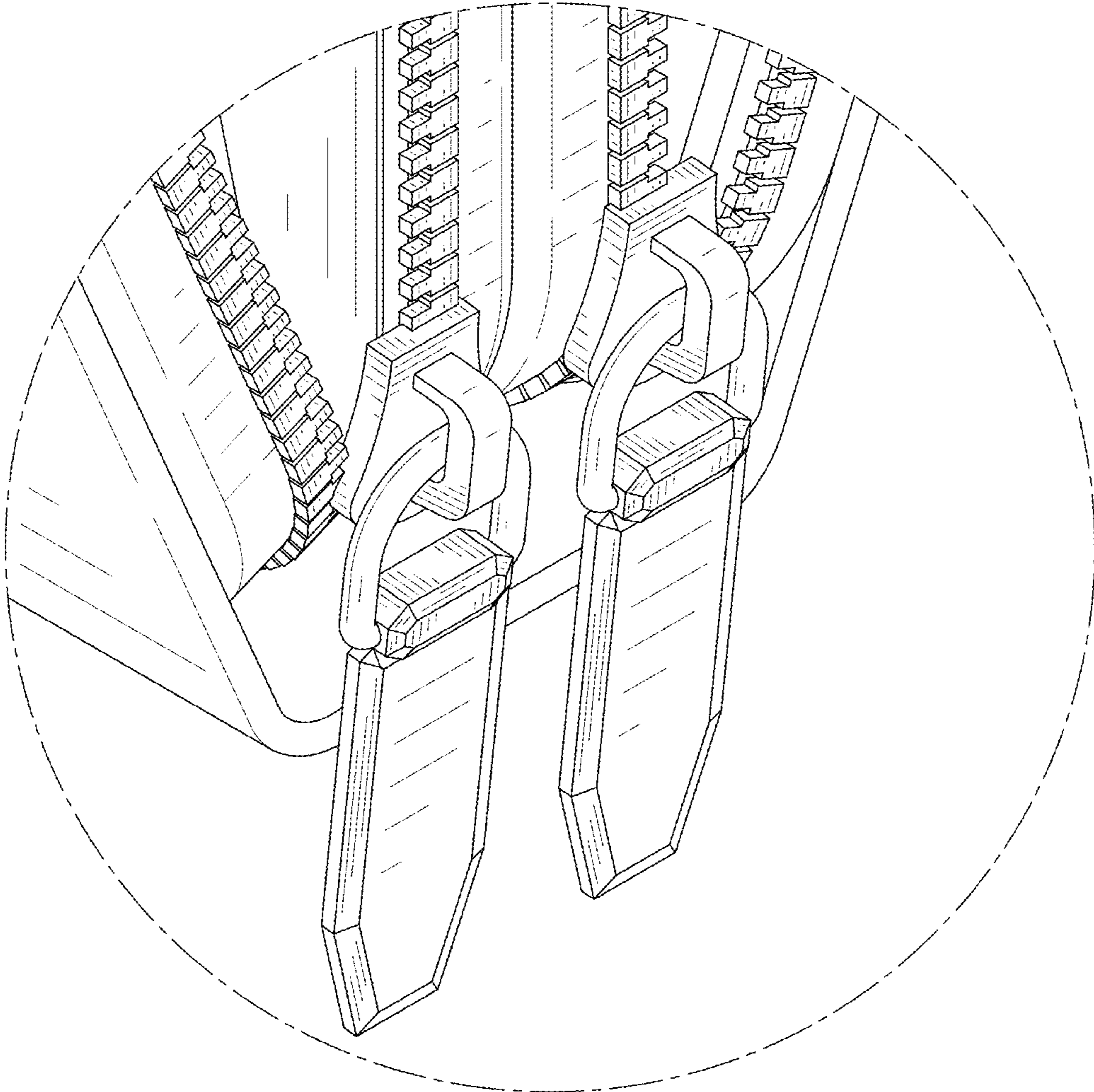


FIG. 11