



US00D988713S

(12) **United States Design Patent**  
**Wei**

(10) **Patent No.:** **US D988,713 S**  
(45) **Date of Patent:** **\*\* Jun. 13, 2023**

(54) **PHONE ORGANIZER**

(71) Applicant: **CNPS.COM LIMITED**, Dongying (CN)

(72) Inventor: **Bing Wei**, Dongying (CN)

(73) Assignee: **CNPS.COM LIMITED**, Dongying (CN)

(\*\*) Term: **15 Years**

(21) Appl. No.: **29/868,206**

(22) Filed: **Nov. 24, 2022**

(30) **Foreign Application Priority Data**

Oct. 8, 2022 (CN) ..... 202230659411.7

(51) **LOC (14) Cl.** ..... **03-01**

(52) **U.S. Cl.**  
USPC ..... **D3/218**

(58) **Field of Classification Search**  
USPC ..... D3/201, 203.1, 203.2, 203.3, 203.6,  
D3/203.7, 203.8, 207-211, 215-218,  
(Continued)

(56) **References Cited**

**U.S. PATENT DOCUMENTS**

2,701,223 A \* 2/1955 Marcus ..... B29C 66/431  
150/133  
D202,859 S \* 11/1965 Feder ..... D3/251  
(Continued)

*Primary Examiner* — Michelle E. Wilson

*Assistant Examiner* — Christopher John Suarez La Rosa

(57) **CLAIM**

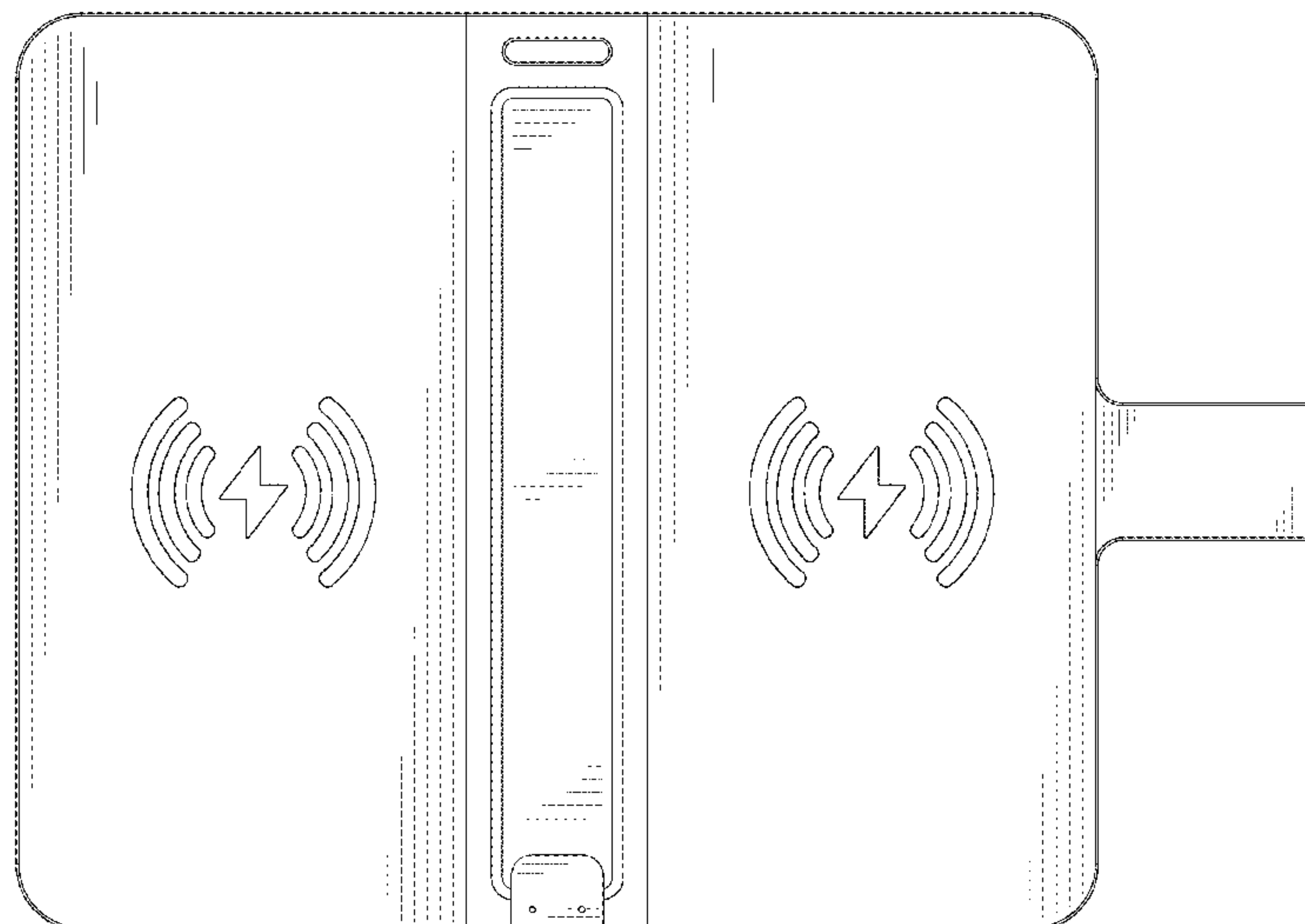
The ornamental design for a phone organizer, as shown and described.

**DESCRIPTION**

FIG. 1 is a front elevational view of a first embodiment of a cover of a phone organizer showing my new design, shown separately for ease of illustration;

FIG. 2 is a rear elevational view thereof;  
FIG. 3 is a left side elevational view thereof;  
FIG. 4 is a right side elevational view thereof;  
FIG. 5 is a top plan view thereof;  
FIG. 6 is a bottom plan view thereof;  
FIG. 7 is a perspective view thereof;  
FIG. 8 is another perspective view thereof;  
FIG. 9 is a front elevational view of a phone case of the phone organizer shown separately for ease of illustration;  
FIG. 10 is a rear elevational view thereof;  
FIG. 11 is a left side elevational view thereof;  
FIG. 12 is a right side elevational view thereof;  
FIG. 13 is a top plan view thereof;  
FIG. 14 is a bottom plan view thereof;  
FIG. 15 is a perspective view thereof;  
FIG. 16 is another perspective view thereof;  
FIG. 17 is a perspective view of the phone organizer where the cover is assembled with the phone case;  
FIG. 18 is another perspective view thereof;  
FIG. 19 is a perspective view of the phone organizer shown in a closed state;  
FIG. 20 is another perspective view thereof;  
FIG. 21 is a front elevational view of a second embodiment of the cover of the phone organizer shown separately for ease of illustration;  
FIG. 22 is a rear elevational view thereof;  
FIG. 23 is a left side elevational view thereof;  
FIG. 24 is a right side elevational view thereof;  
FIG. 25 is a top plan view thereof;  
FIG. 26 is a bottom plan view thereof;  
FIG. 27 is a perspective view thereof;  
FIG. 28 is another perspective view thereof;  
FIG. 29 is a perspective view of the phone organizer where the cover is assembled with the phone case;  
FIG. 30 is another perspective view thereof;  
FIG. 31 is a perspective view of the phone organizer shown in the the closed state; and,  
FIG. 32 is another perspective view thereof.  
The broken lines in the drawings depict portions of the phone organizer that form no part of the claimed design.

**1 Claim, 32 Drawing Sheets**



(58) **Field of Classification Search**

USPC ..... D3/224-228, 230-233, 242-251, 273,  
 D3/274, 288-290, 310-315, 318-323;  
 D7/709; D9/715-721, 737-741, 747,  
 D9/414, 421, 435, 444, 455, 499,  
 D9/431-433; D11/78.1  
 CPC ..... A45C 1/04; A45C 1/06; A45C 11/182;  
 A45C 2001/062; A45C 2001/065; A45C  
 2001/067; A45C 2001/186; A45F 5/02;  
 H04M 1/72409; G06F 1/1626

See application file for complete search history.

(56) **References Cited**

U.S. PATENT DOCUMENTS

D777,421	S *	1/2017	Grote	.....	D3/218
D806,378	S *	1/2018	Lerenthal	.....	D3/201
D822,989	S *	7/2018	Persson	.....	D3/249
D891,417	S *	7/2020	Pasternak	.....	D3/249
D908,353	S	1/2021	Peng		
D917,442	S *	4/2021	Feng	.....	D3/249
D956,033	S *	6/2022	Hu	.....	D14/250
D973,046	S *	12/2022	Feng	.....	D3/249
2011/0303331	A1 *	12/2011	Laake	.....	A45F 5/021
					150/131
2015/0230570	A1 *	8/2015	Kim	.....	H04M 1/185
					150/139
2018/0078014	A1 *	3/2018	Qian	.....	A45C 11/00
2022/0279907	A1 *	9/2022	Matsuda	.....	H04M 1/21

\* cited by examiner

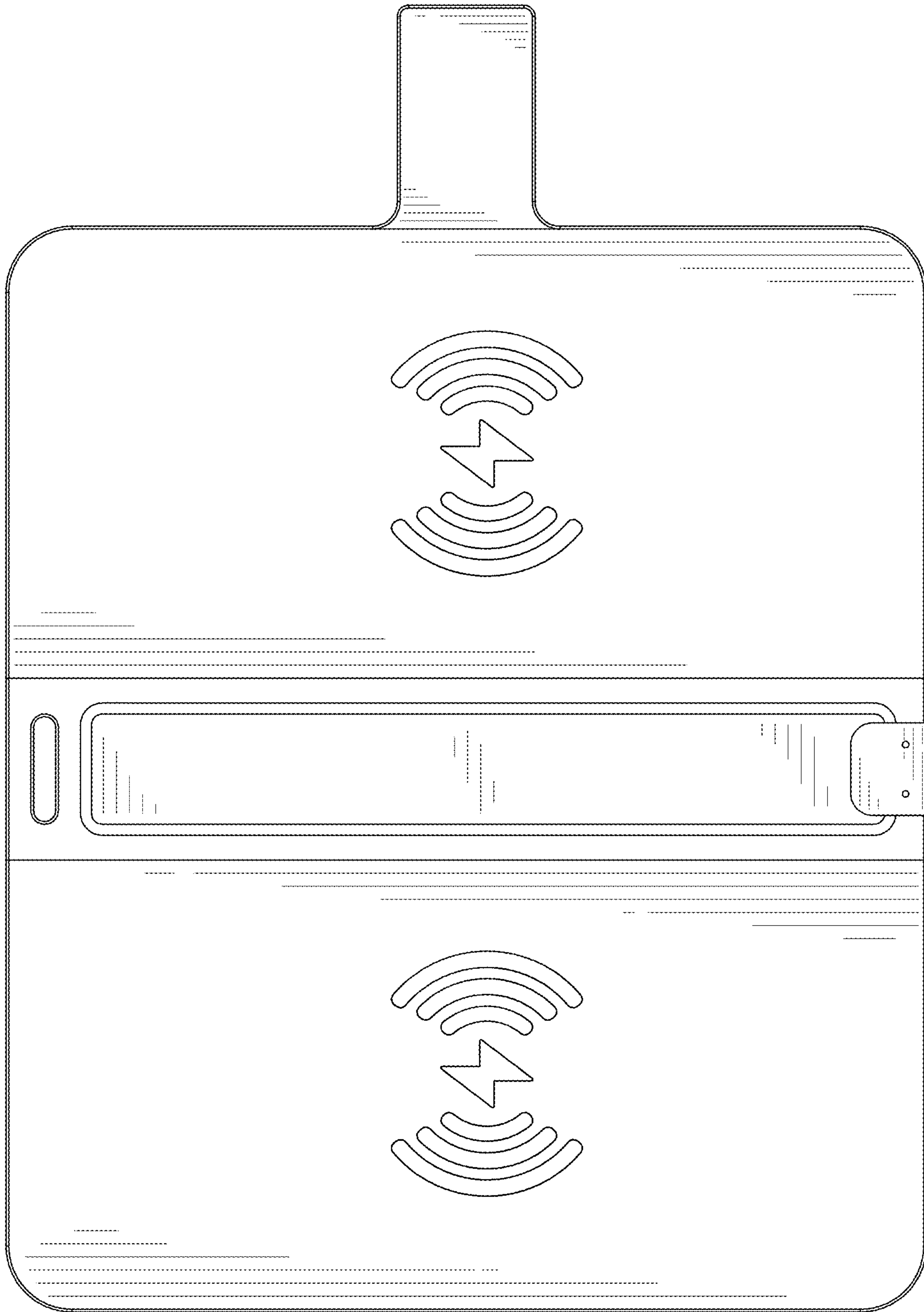


FIG. 1

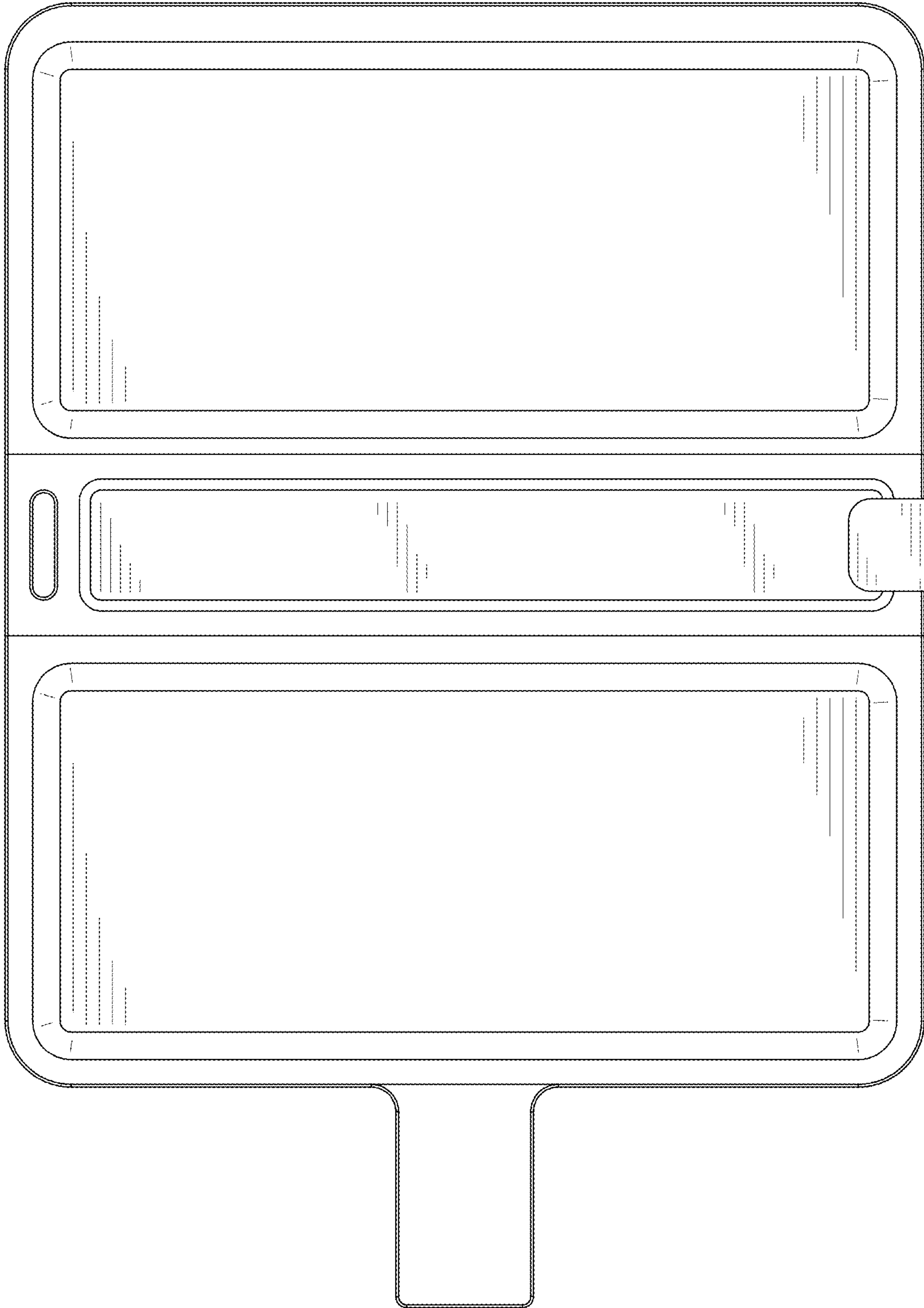


FIG. 2

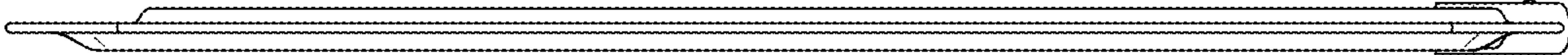


FIG. 3

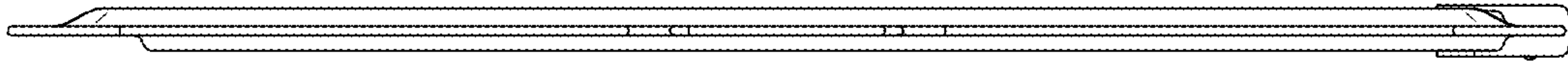


FIG. 4

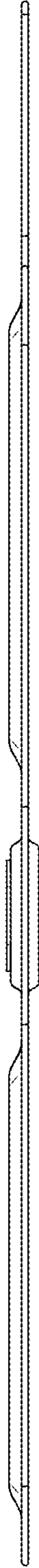


FIG. 5



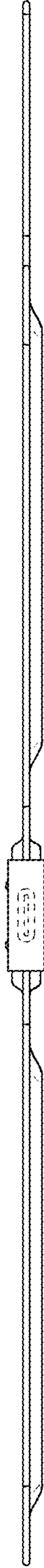


FIG. 6



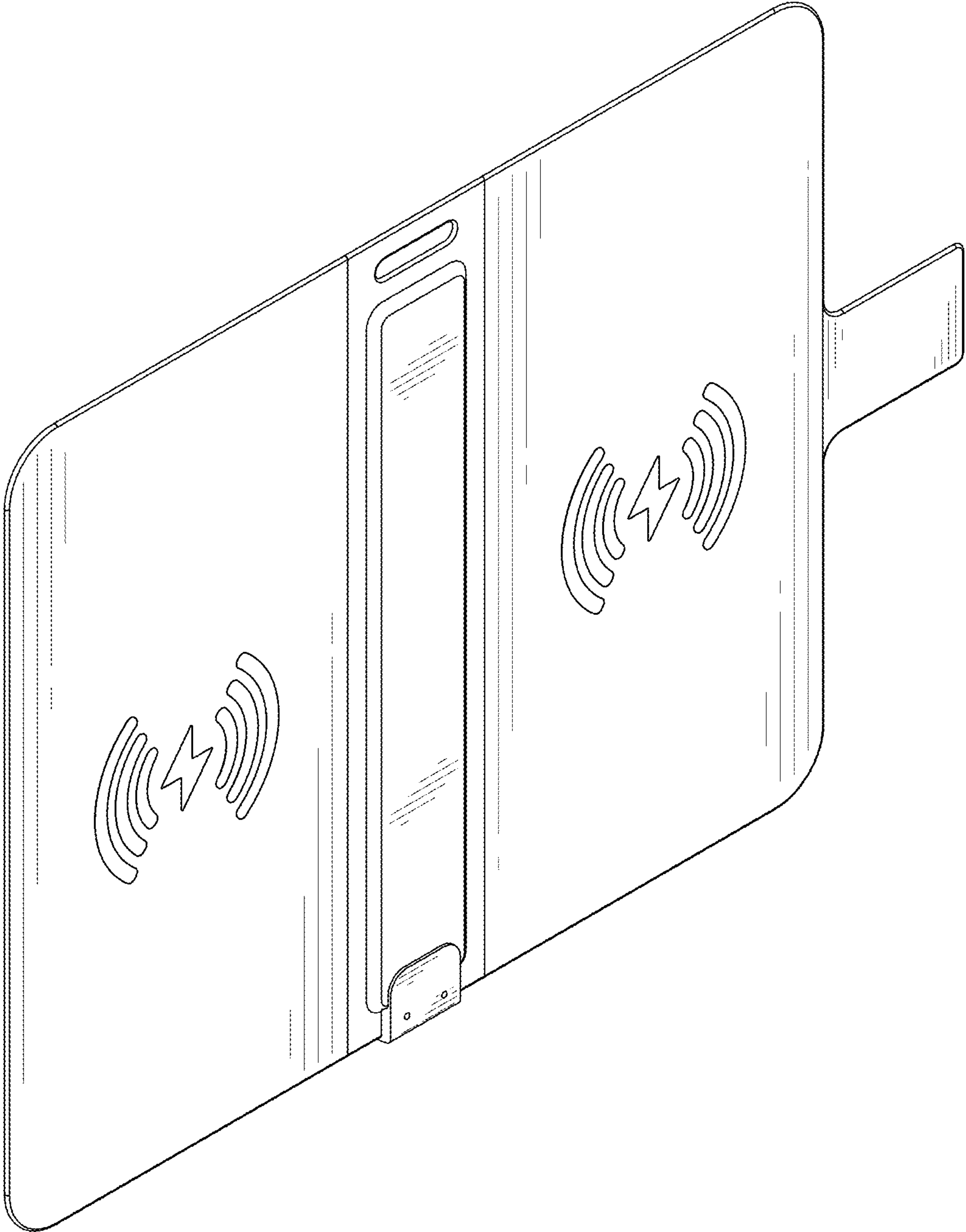


FIG. 7

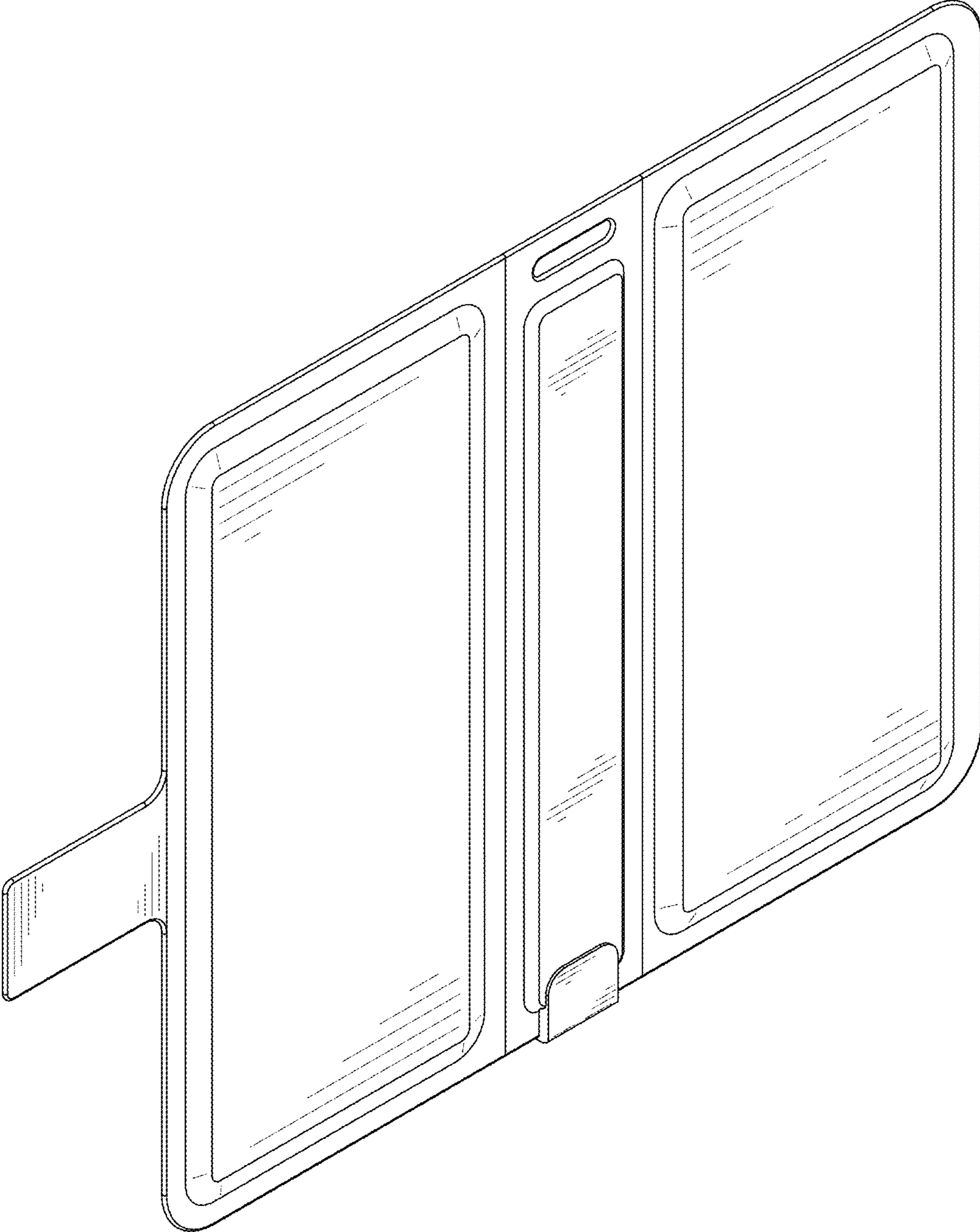


FIG. 8

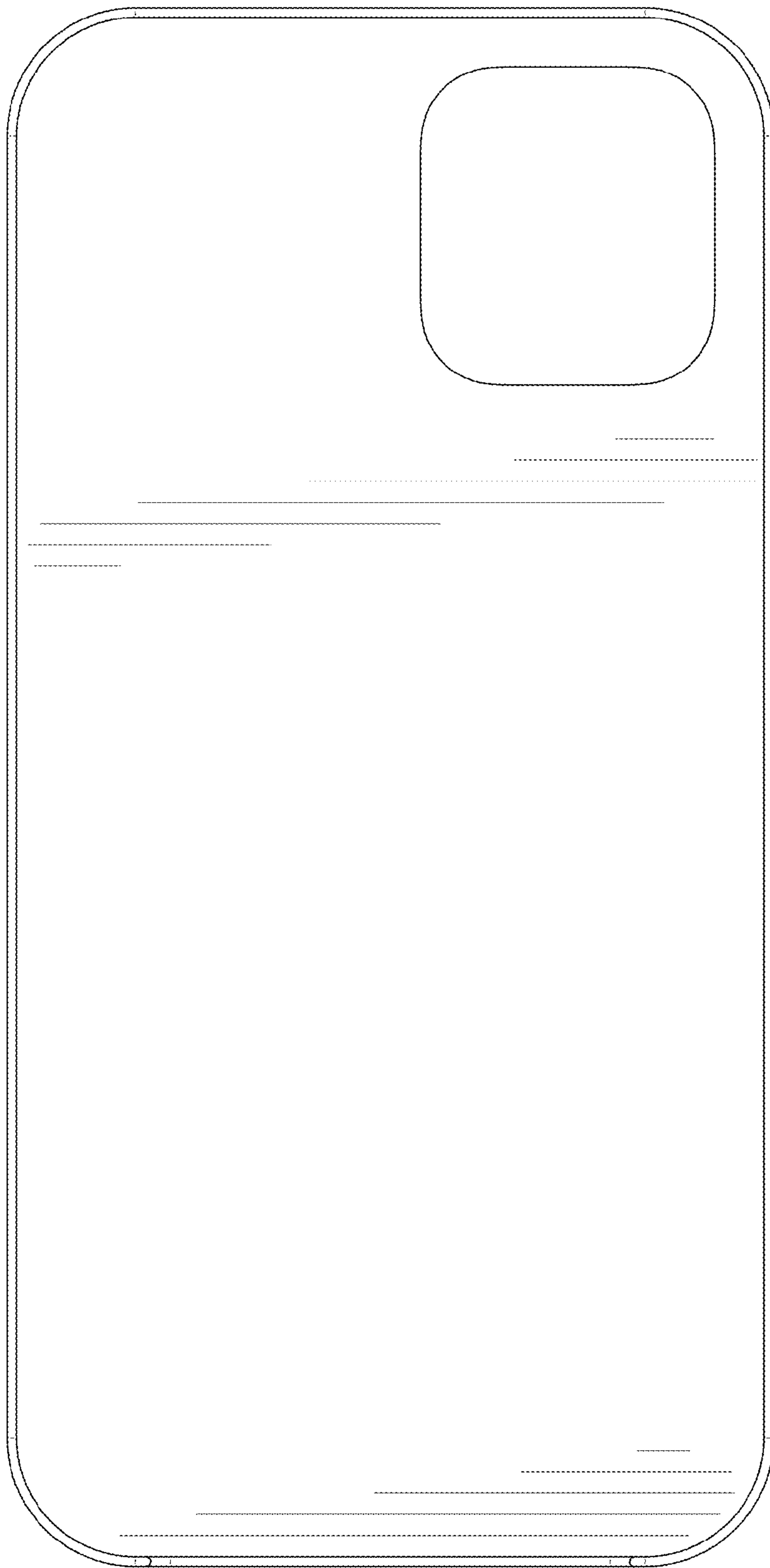


FIG. 9

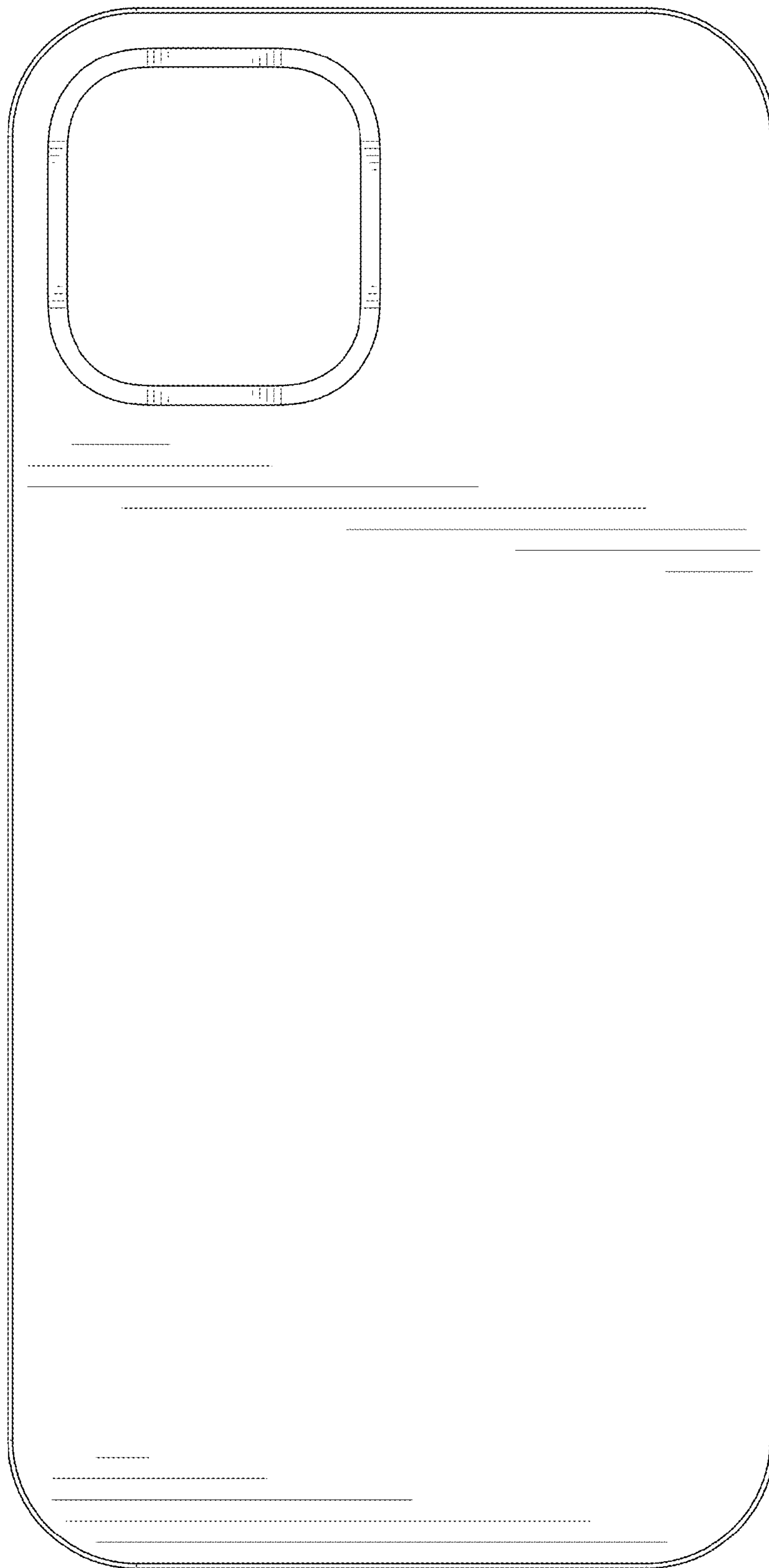


FIG. 10

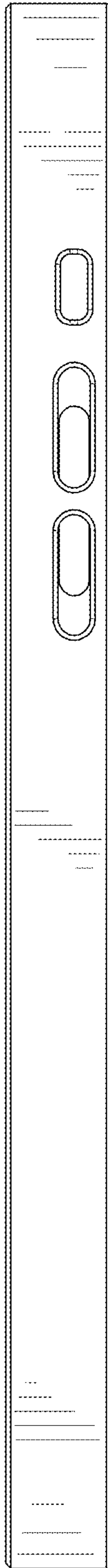


FIG. 11

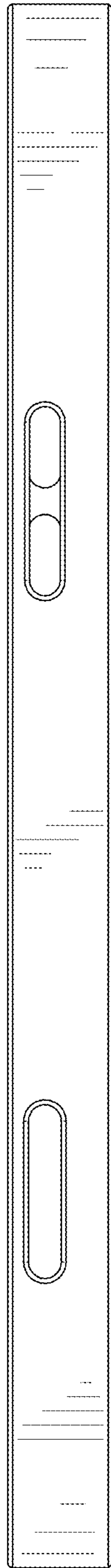


FIG. 12



FIG. 13



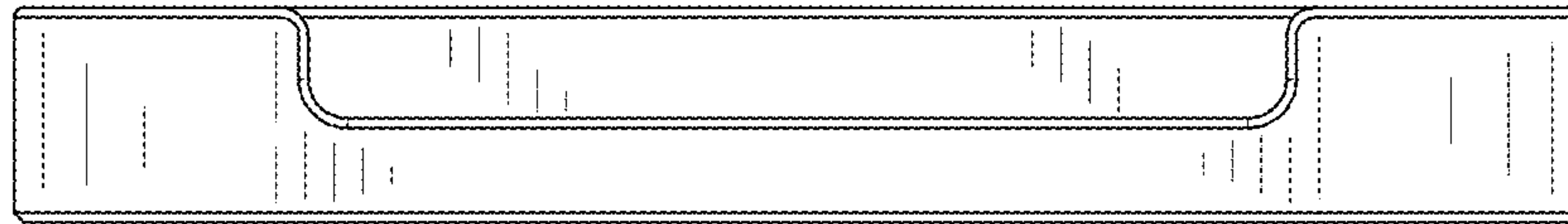


FIG. 14

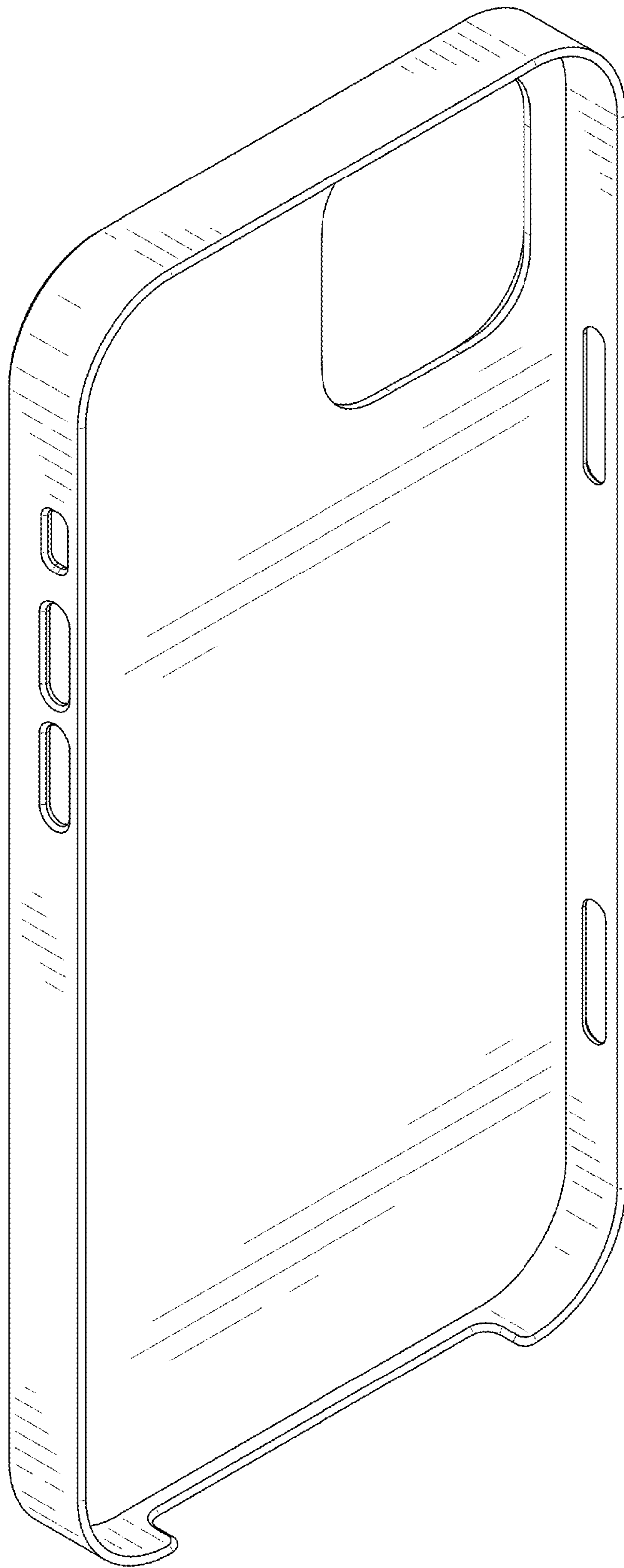


FIG. 15

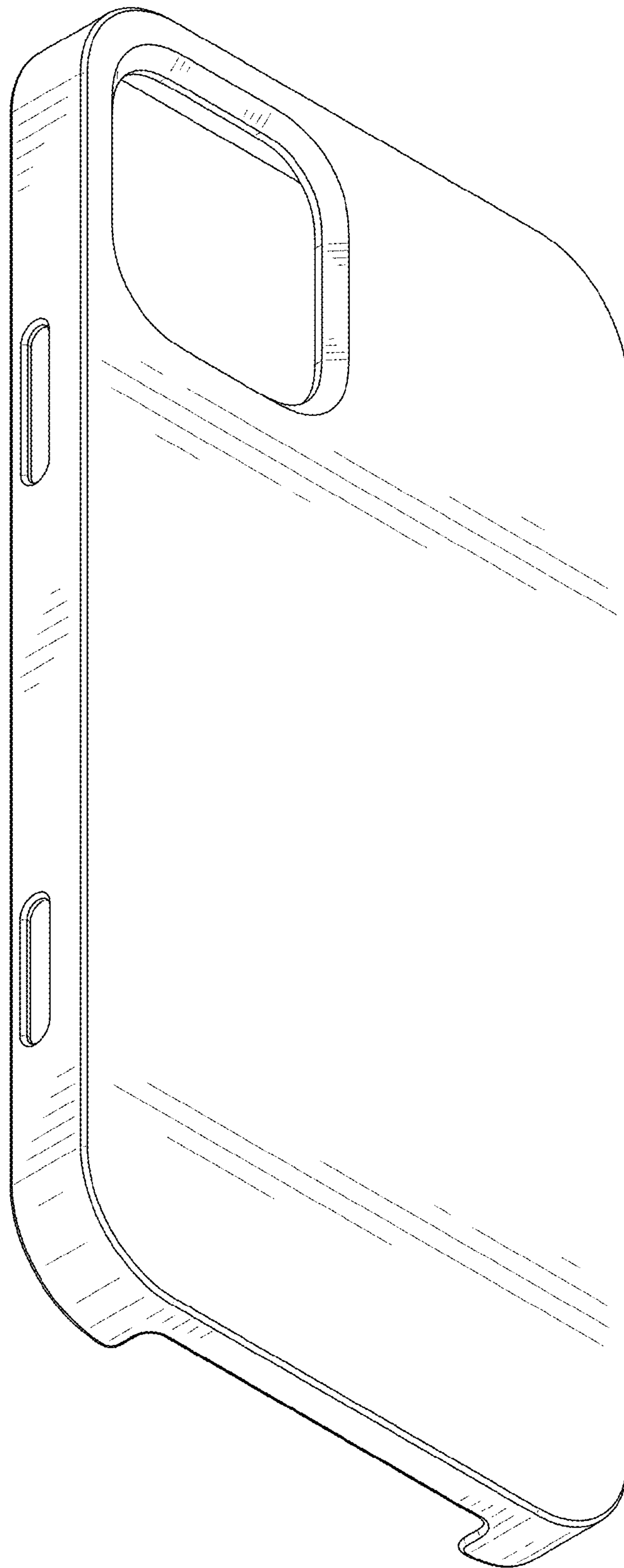


FIG. 16

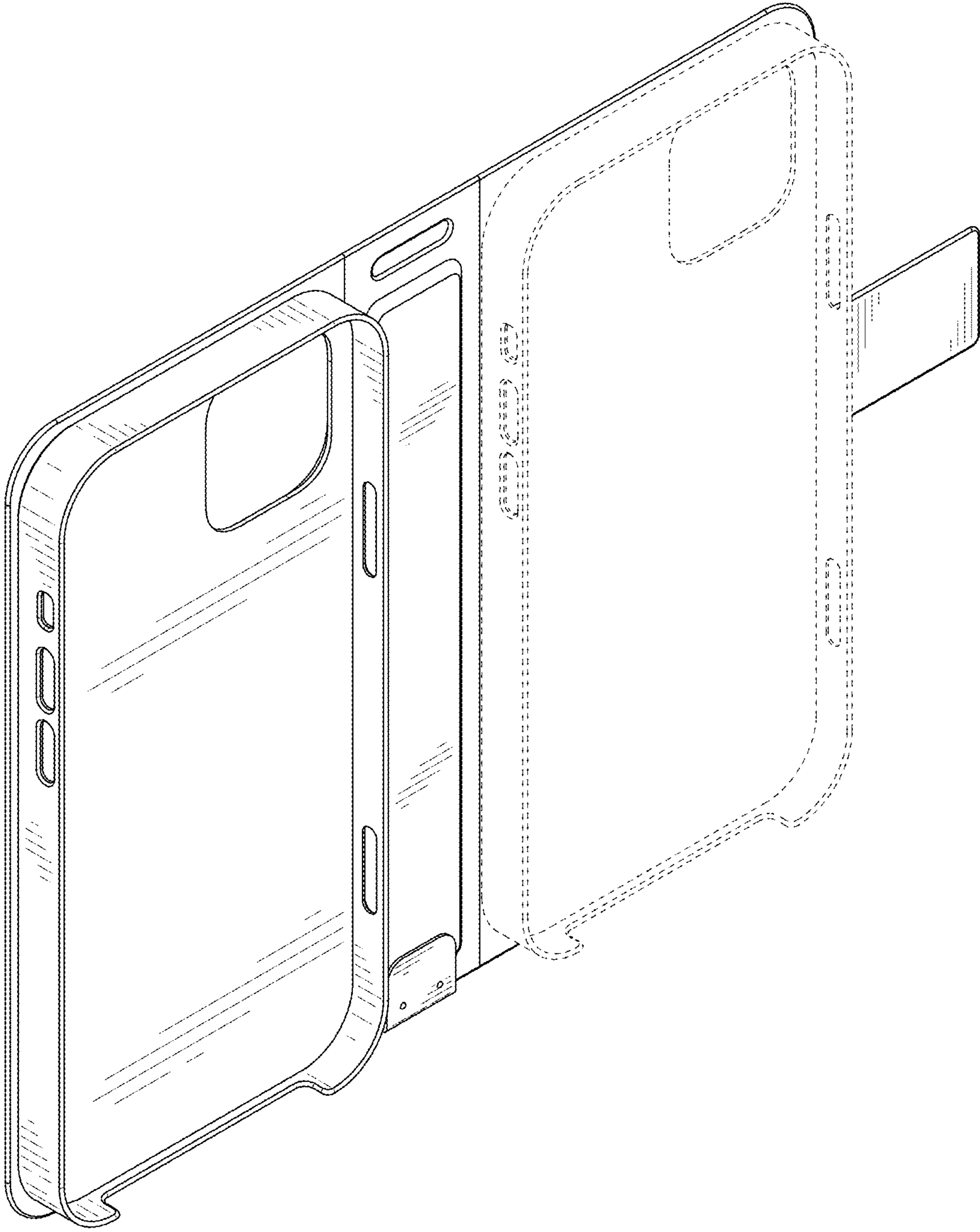


FIG. 17

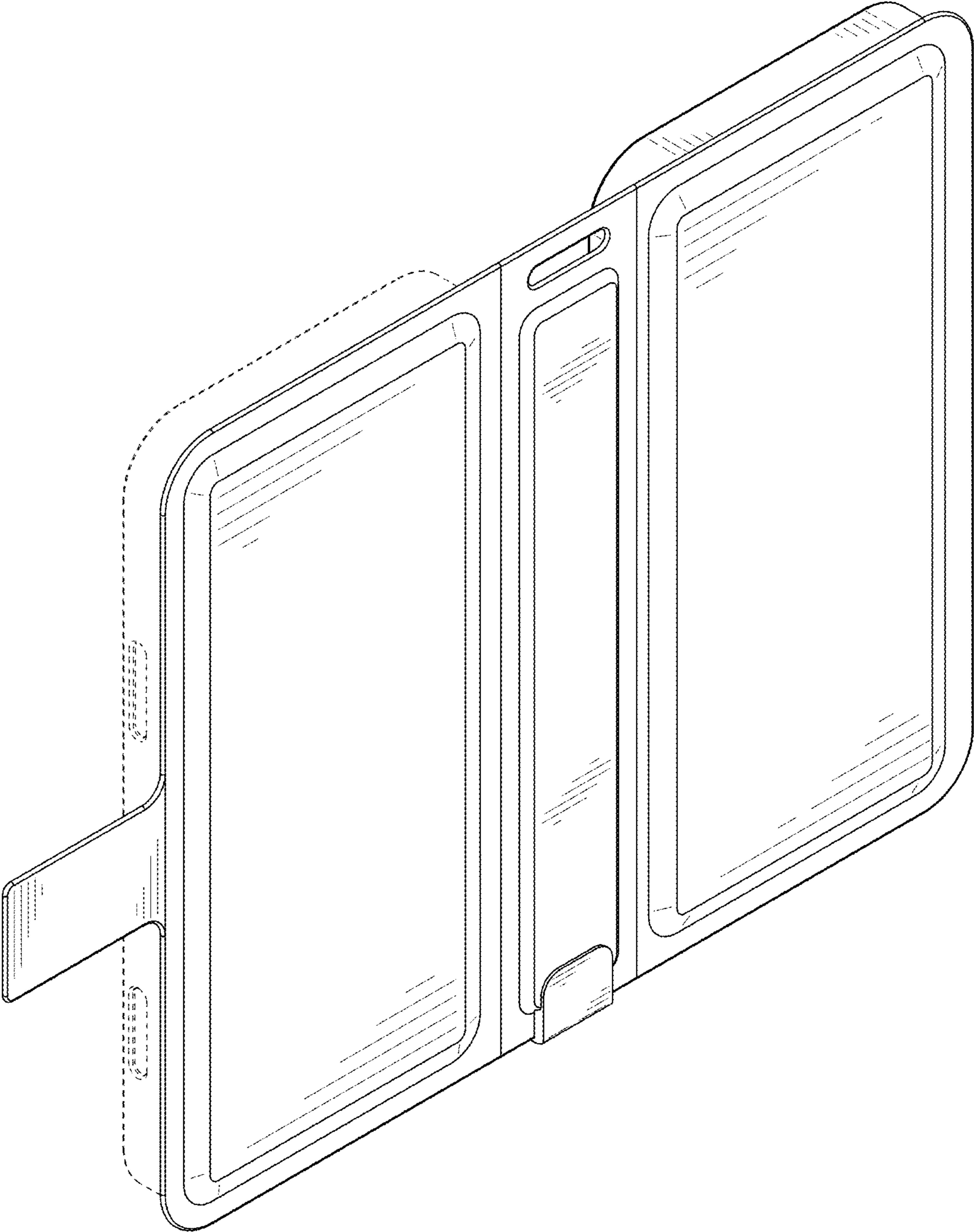


FIG. 18

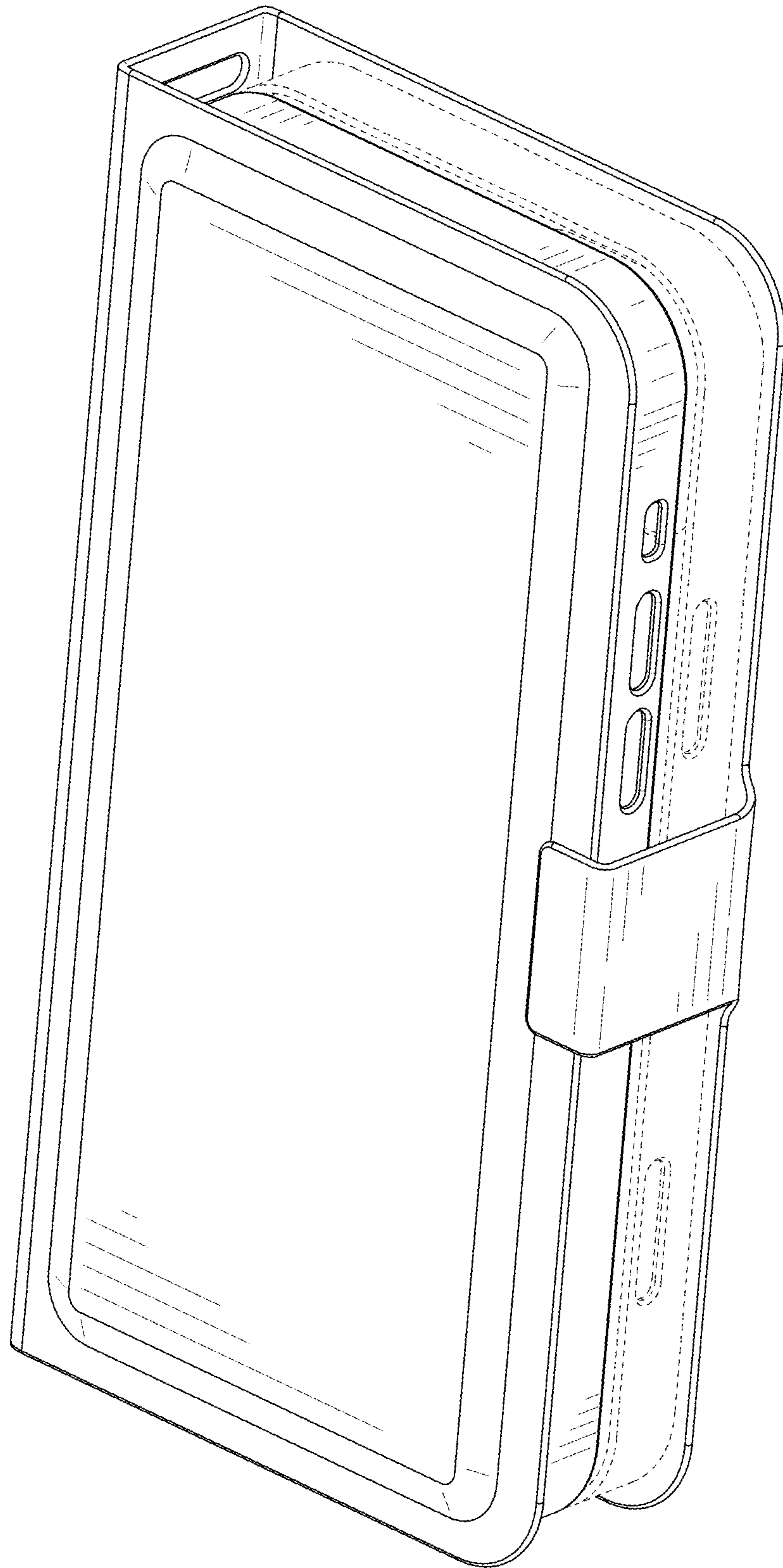


FIG. 19



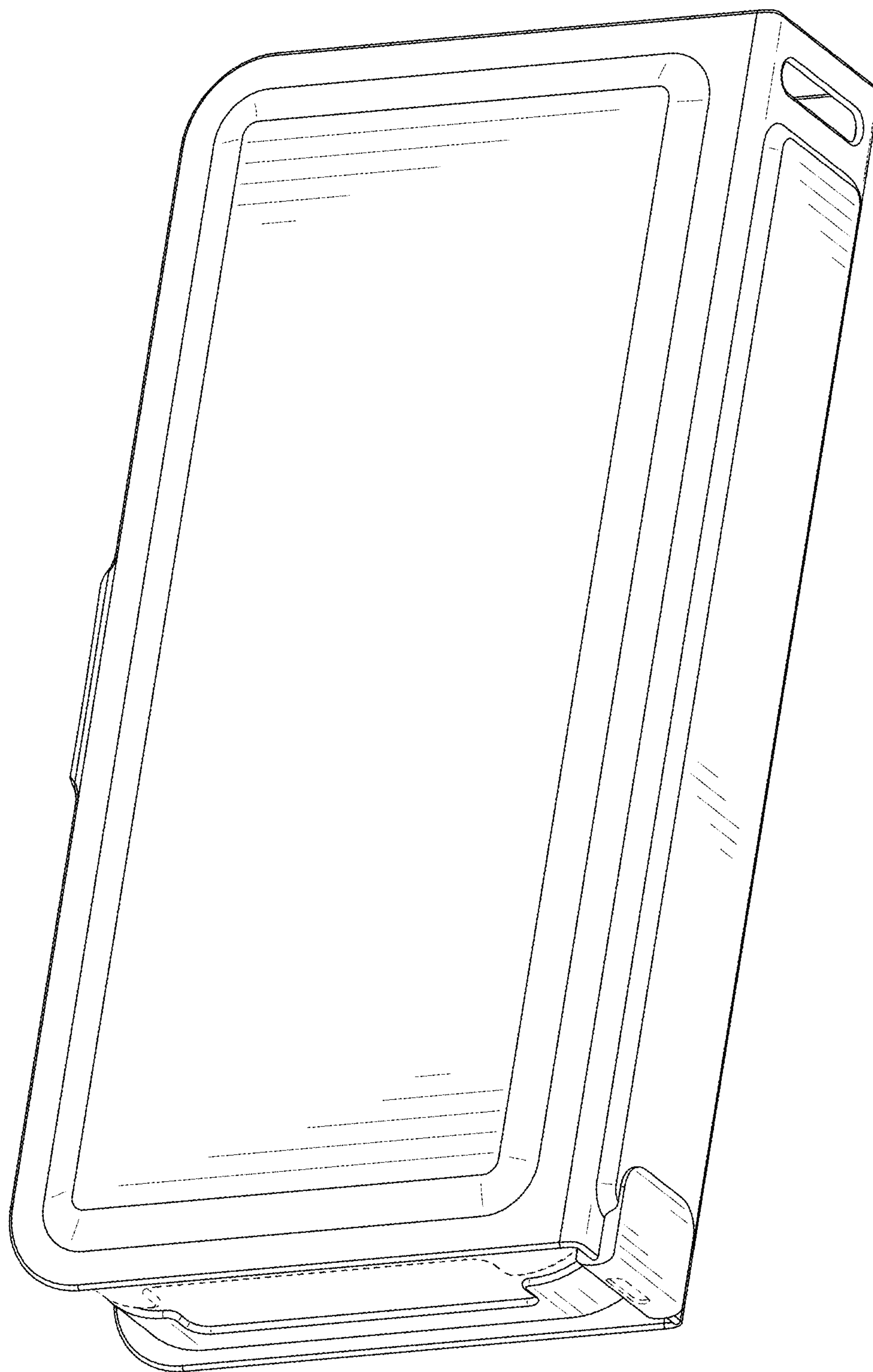


FIG. 20



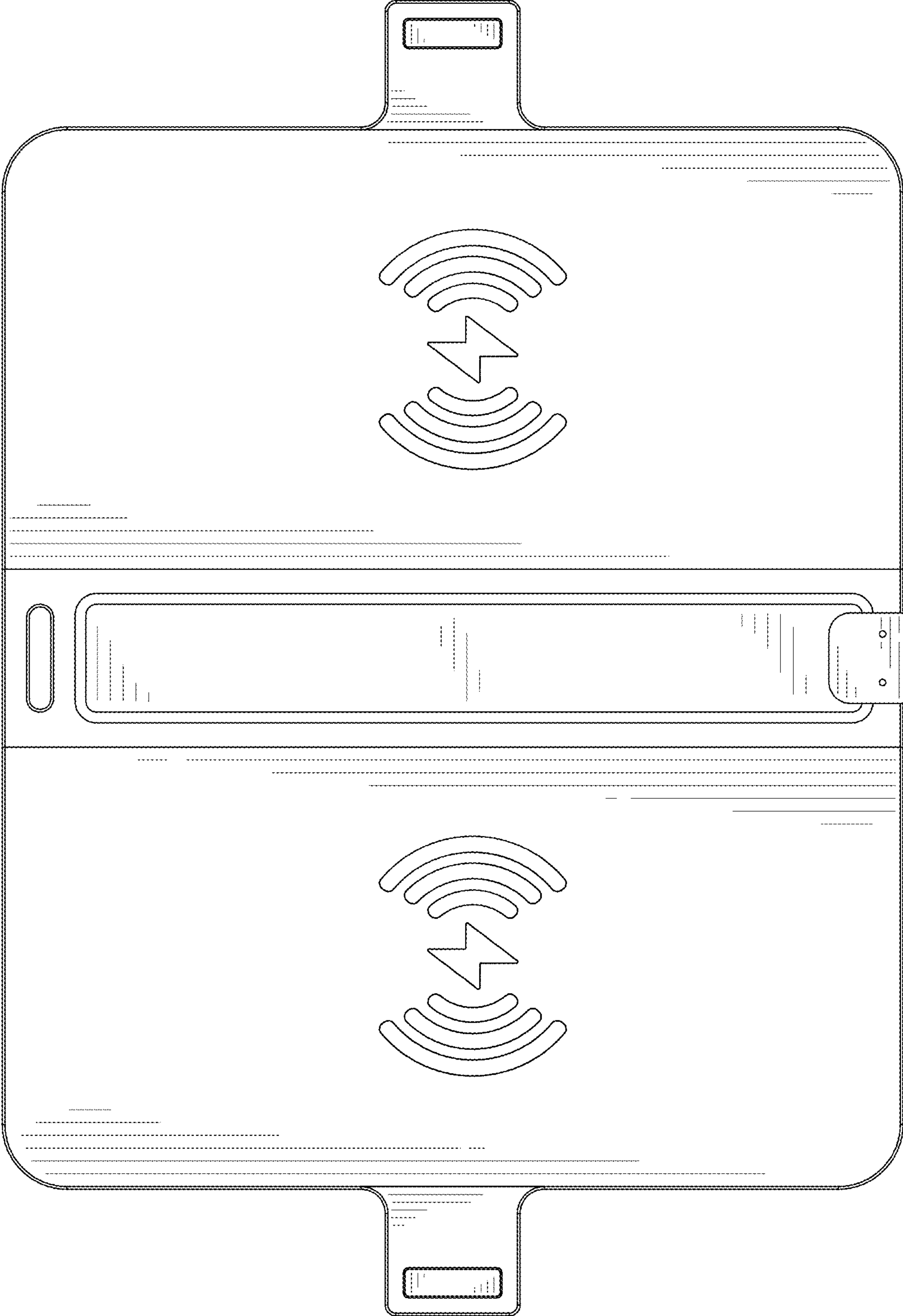


FIG. 21

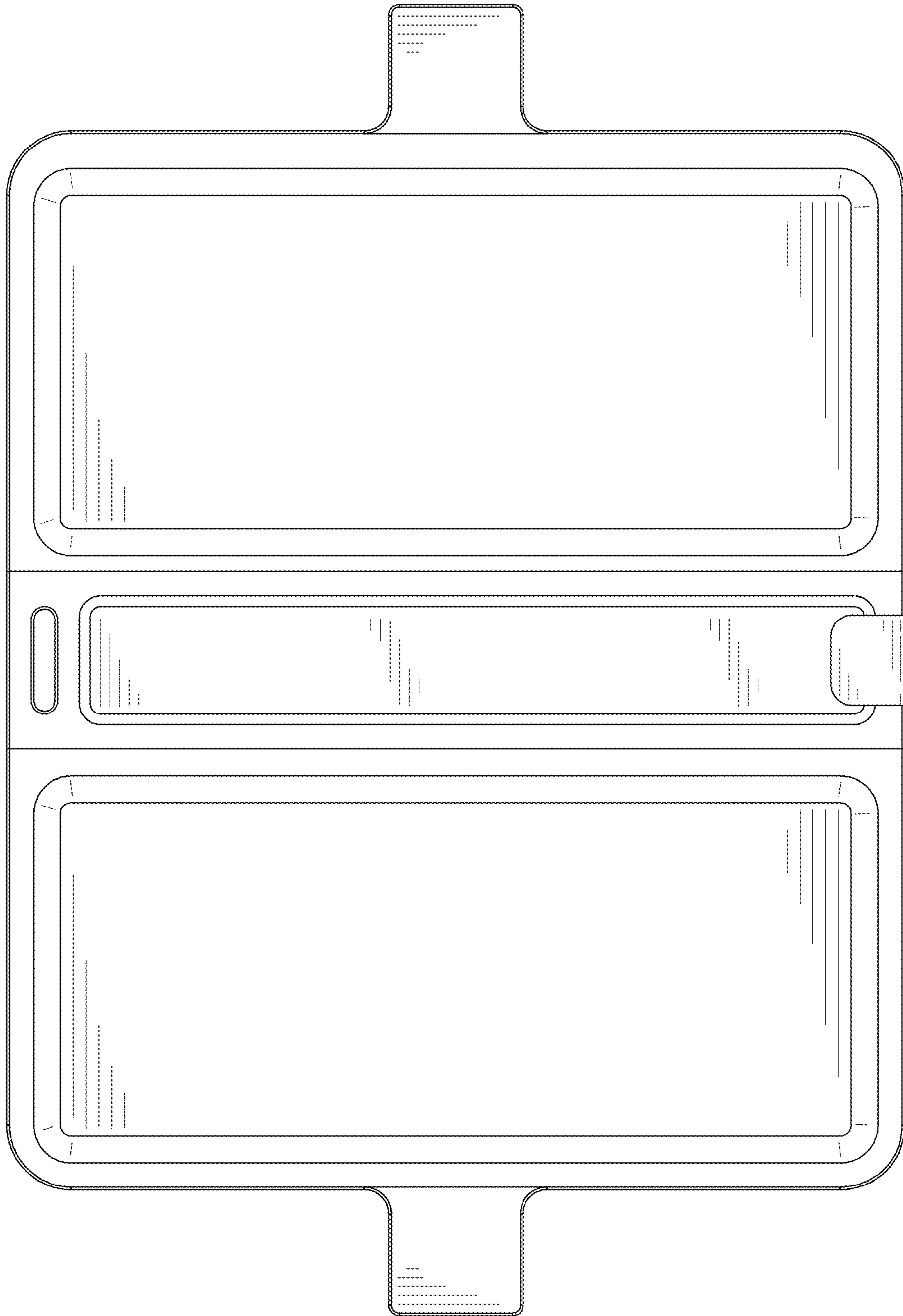


FIG. 22

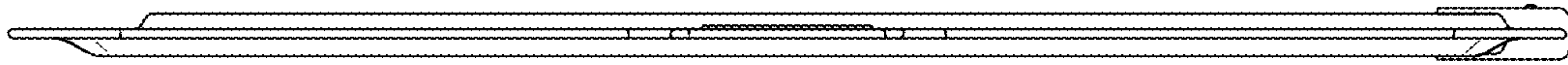


FIG. 23

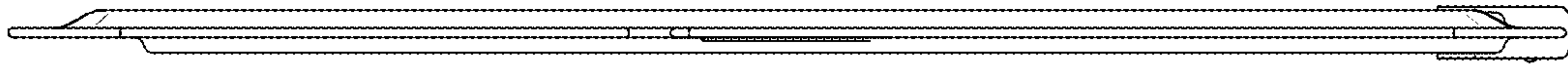


FIG. 24



FIG. 25



FIG. 26

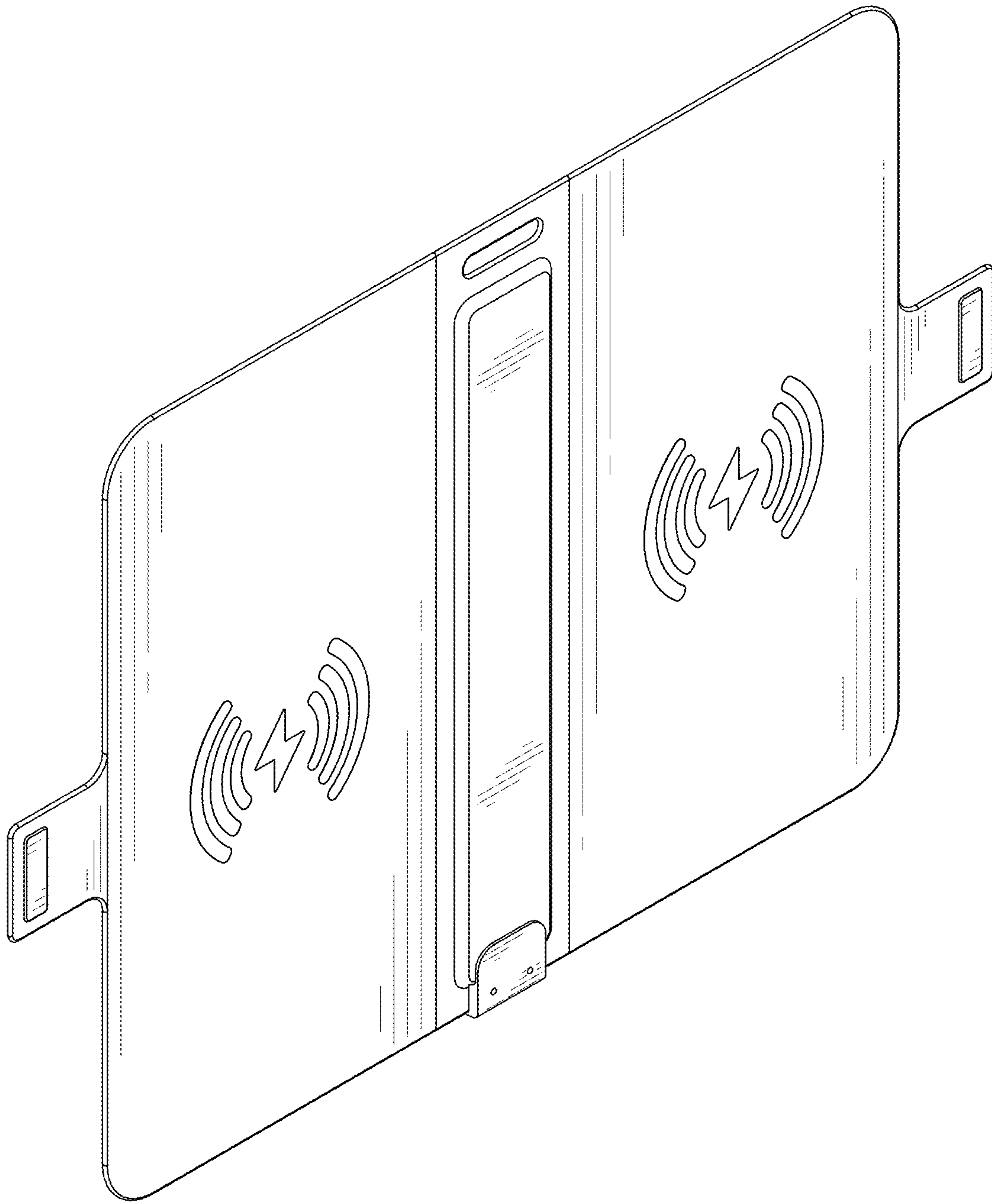


FIG. 27



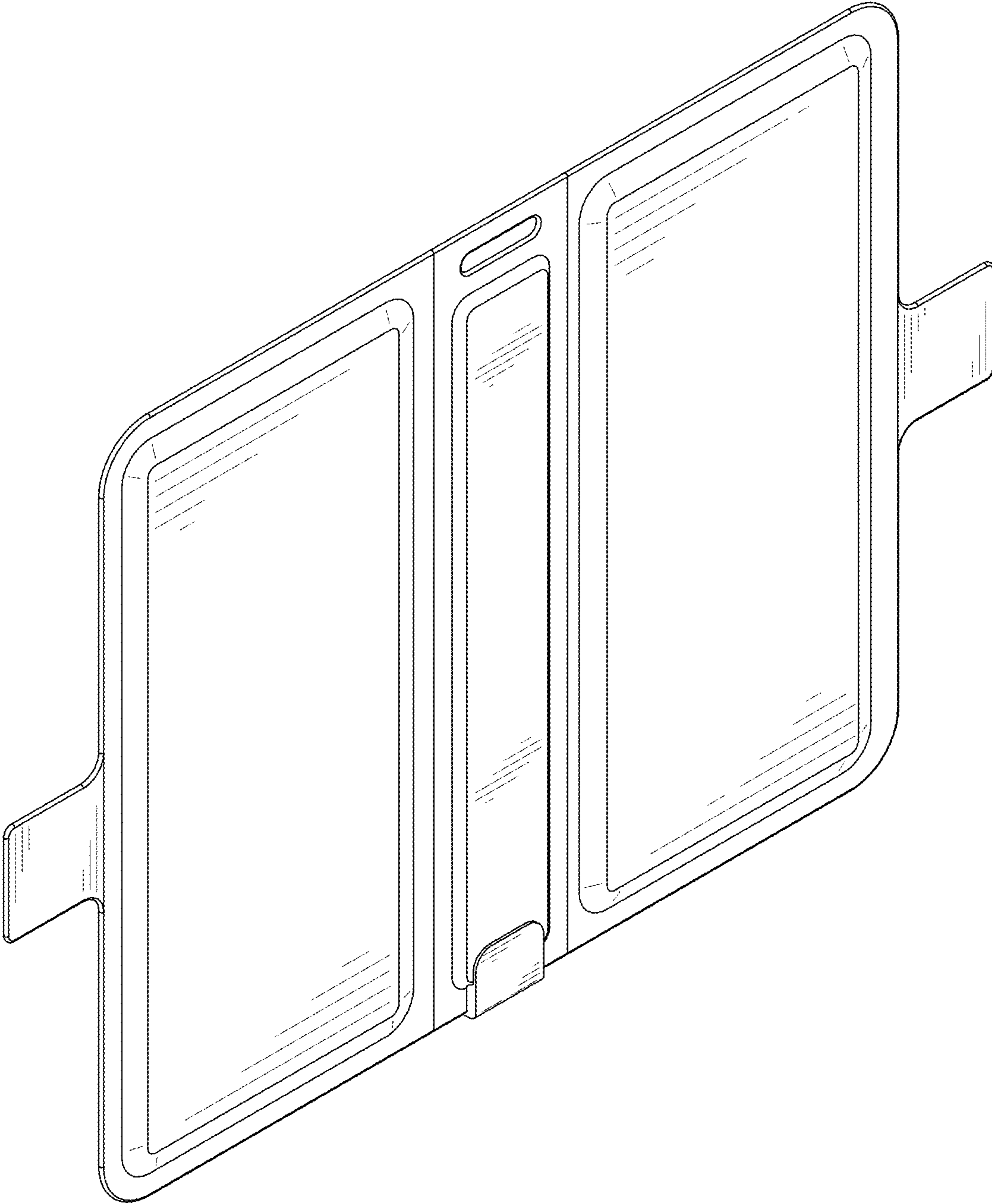


FIG. 28

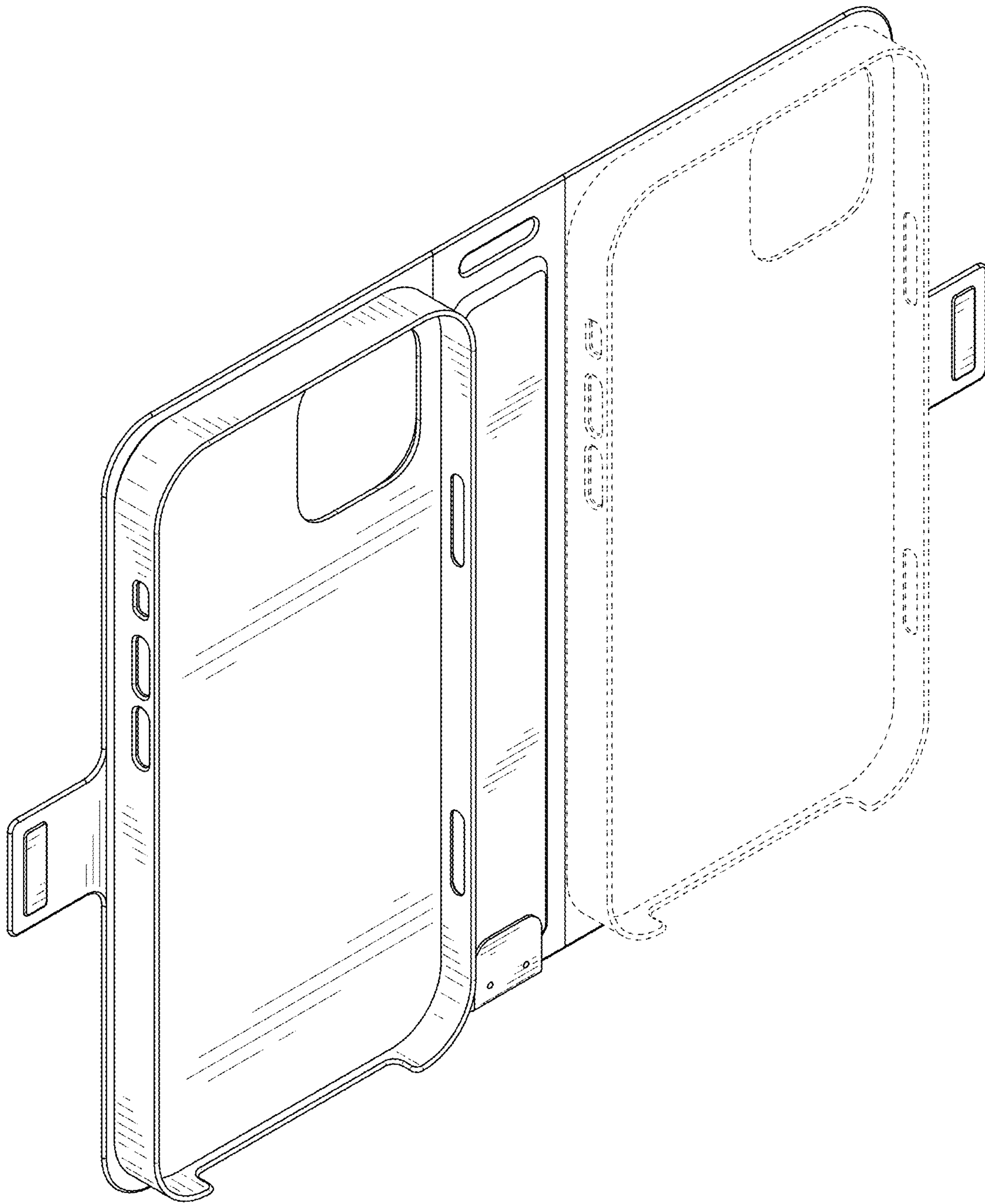


FIG. 29

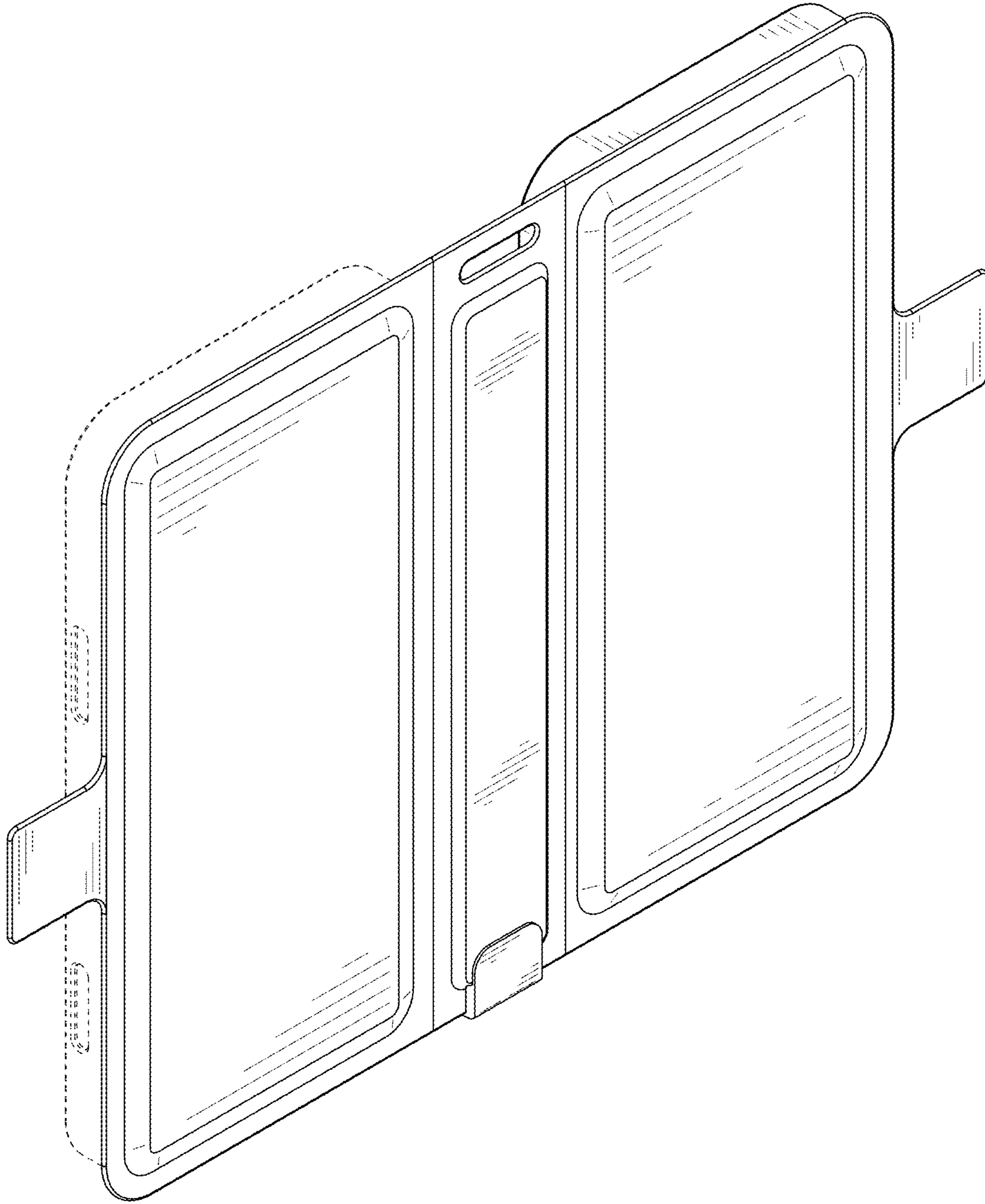


FIG. 30



FIG. 31

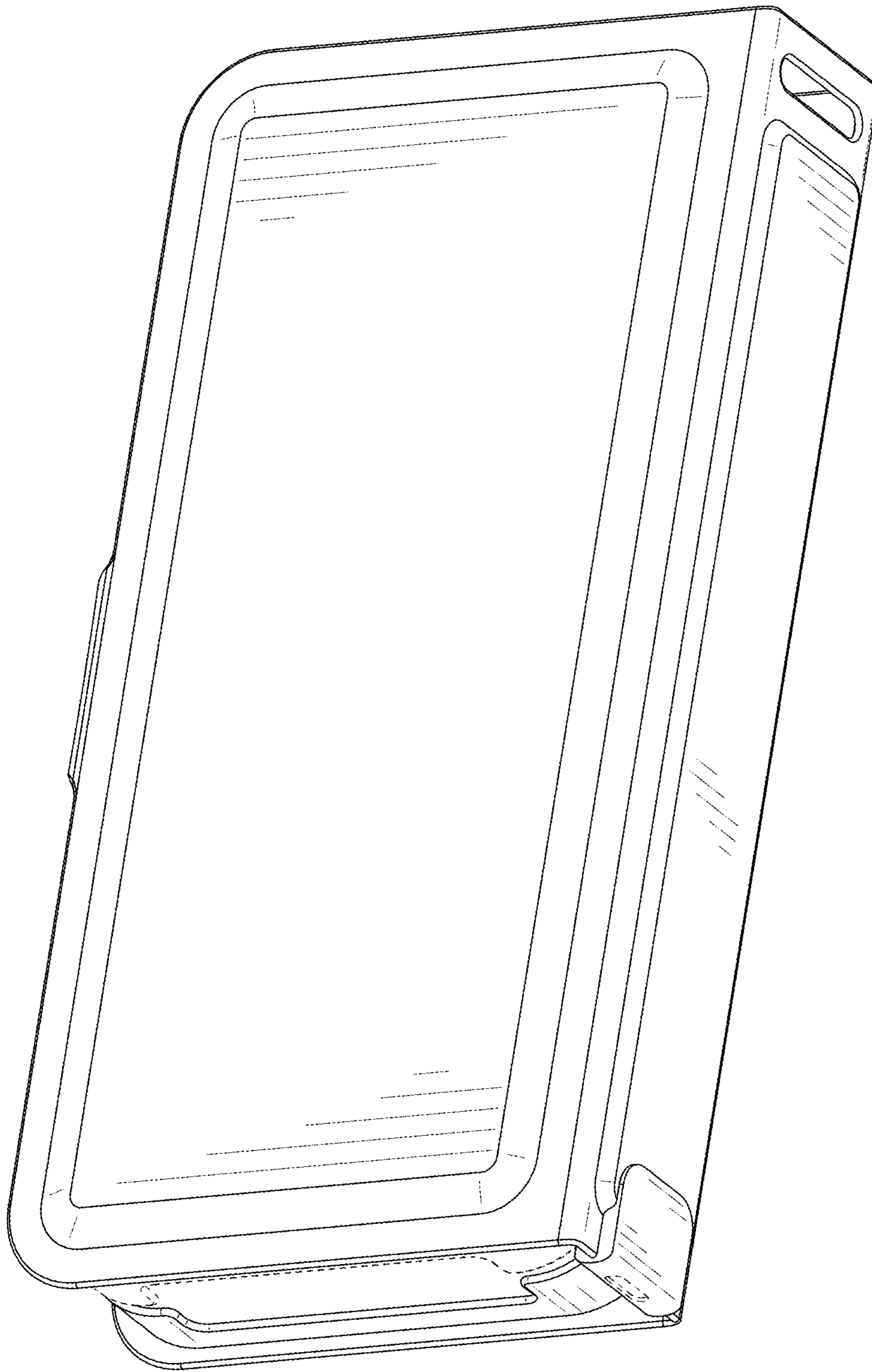


FIG. 32