



US00D988712S

(12) **United States Design Patent** (10) **Patent No.:** **US D988,712 S**
Qin (45) **Date of Patent:** **** Jun. 13, 2023**

(54) **BACKPACK WITH DETACHABLE DOODLE BOARD**

(71) Applicant: **KaiRong Qin**, Beihai (CN)

(72) Inventor: **KaiRong Qin**, Beihai (CN)

(**) Term: **15 Years**

(21) Appl. No.: **29/872,168**

(22) Filed: **Mar. 7, 2023**

(51) **LOC (14) Cl.** **03-01**

(52) **U.S. Cl.**
USPC **D3/217**

(58) **Field of Classification Search**
USPC D3/216–217, 276, 233, 243, 289, 290
CPC .. A45F 3/04; A45F 3/042; A45F 3/047; A45F
3/08; A45F 3/10; A45F 3/14; A45C
2003/007

See application file for complete search history.

(56) **References Cited**

U.S. PATENT DOCUMENTS

9,877,558	B1 *	1/2018	Harstvedt	A45C 3/00
D898,350	S *	10/2020	Peng	D3/217
D901,877	S	11/2020	Tan		
D917,159	S *	4/2021	Burkett	D3/217
D923,327	S *	6/2021	Wen	D3/217
D946,267	S *	3/2022	He	D3/217
D953,928	S	6/2022	Huang		
D957,809	S *	7/2022	Rockefeller	D3/217
D965,288	S *	10/2022	Breines	D3/217
D969,478	S *	11/2022	Zhao	D3/216
D970,210	S *	11/2022	Bin	D3/217
D970,883	S *	11/2022	He	D3/217
D973,348	S *	12/2022	Vis	D3/217
2021/0219704	A1 *	7/2021	Jusic	A45F 3/04

OTHER PUBLICATIONS

https://www.amazon.com/Backpack-Detachable-Essentials-Scribbler-Preschool/dp/B0BXJ37K5M/ref=sr_1_43?crd=DZ9NNDSDQCAB&keywords=kids+backpack+with+doodle+board%27&qid=1681947405&srefix=kids+backpack+with+doodle+board%2Caps%2C84&sr=8-43 (Year: 2023).*

<https://www.bole.com/products/bole-alphabet-learning-backpack-interactive-educational-doodle-board-set-with-letters-color-buttons-more-toddler-toys-activities-for-ages-3> (No date listed).*

* cited by examiner

Primary Examiner — Catherine R Oliver-Garcia

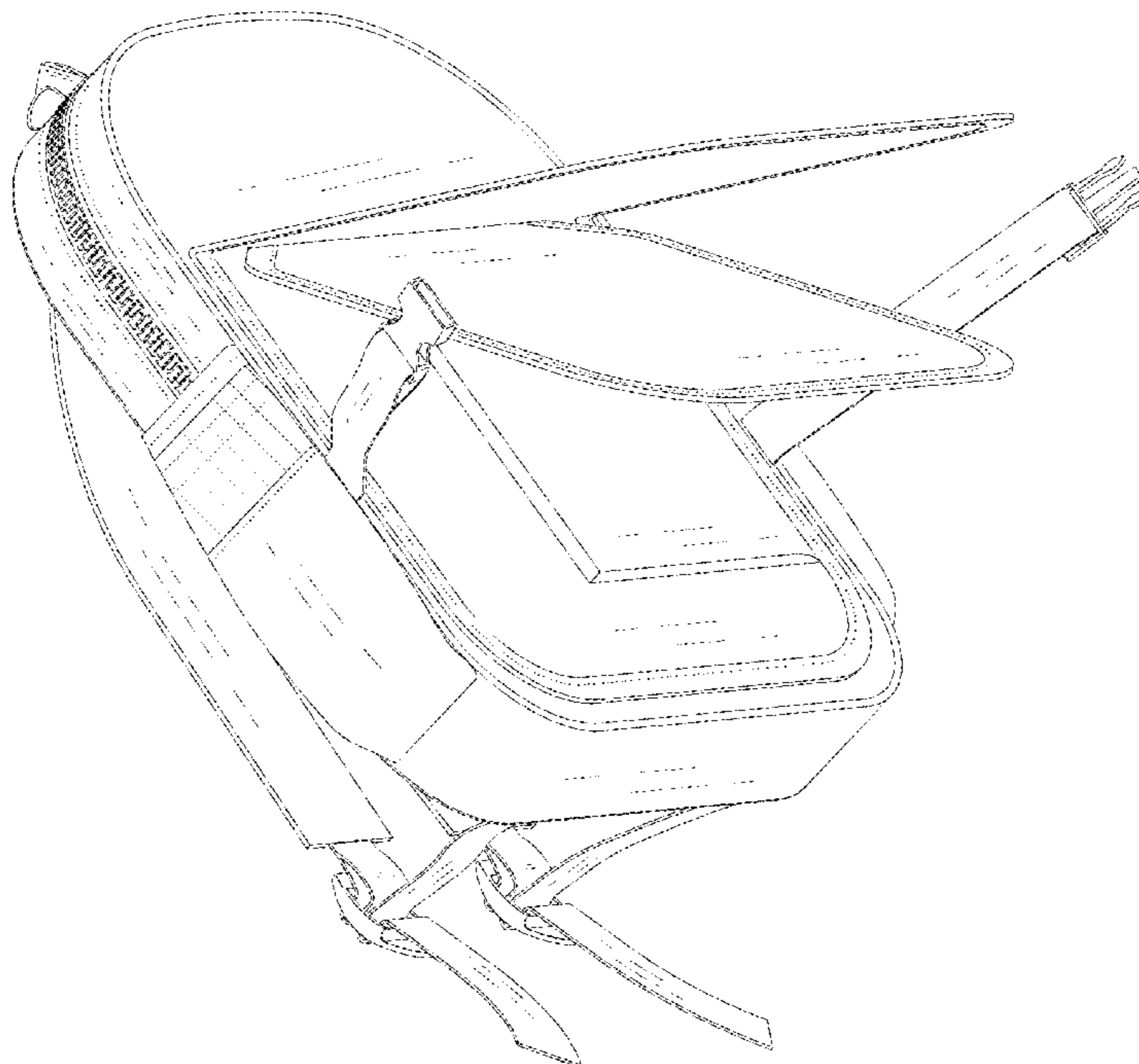
(57) **CLAIM**

The ornamental design for a backpack with detachable doodle board, as shown and described.

DESCRIPTION

FIG. 1 is a front, left side perspective view of a backpack with detachable doodle board, showing my new design; FIG. 2 is a bottom, left side perspective view thereof; FIG. 3 is a front elevational view thereof; FIG. 4 is a rear elevational view thereof; FIG. 5 is a left side elevational view thereof; FIG. 6 is a right side elevational view thereof; FIG. 7 is a top plan view thereof; FIG. 8 is a bottom plan view thereof; and, FIG. 9 is a front, left side perspective view of the backpack with detachable doodle board which the backpack and the front pocket board are in separate state. The dot lines depict stitching of the backpack with detachable doodle board that do not form part of the claimed design.

1 Claim, 9 Drawing Sheets



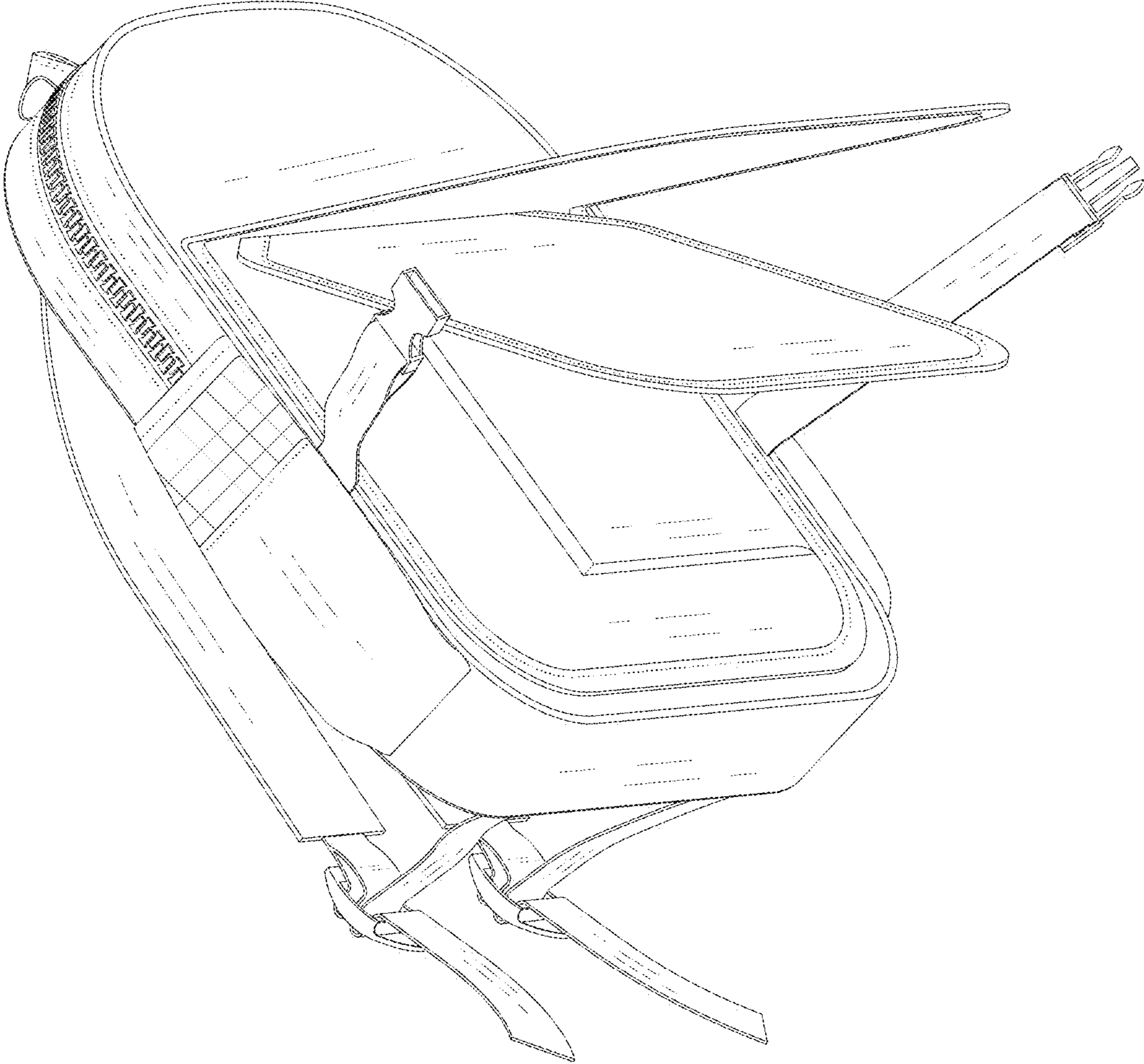


FIG. 1

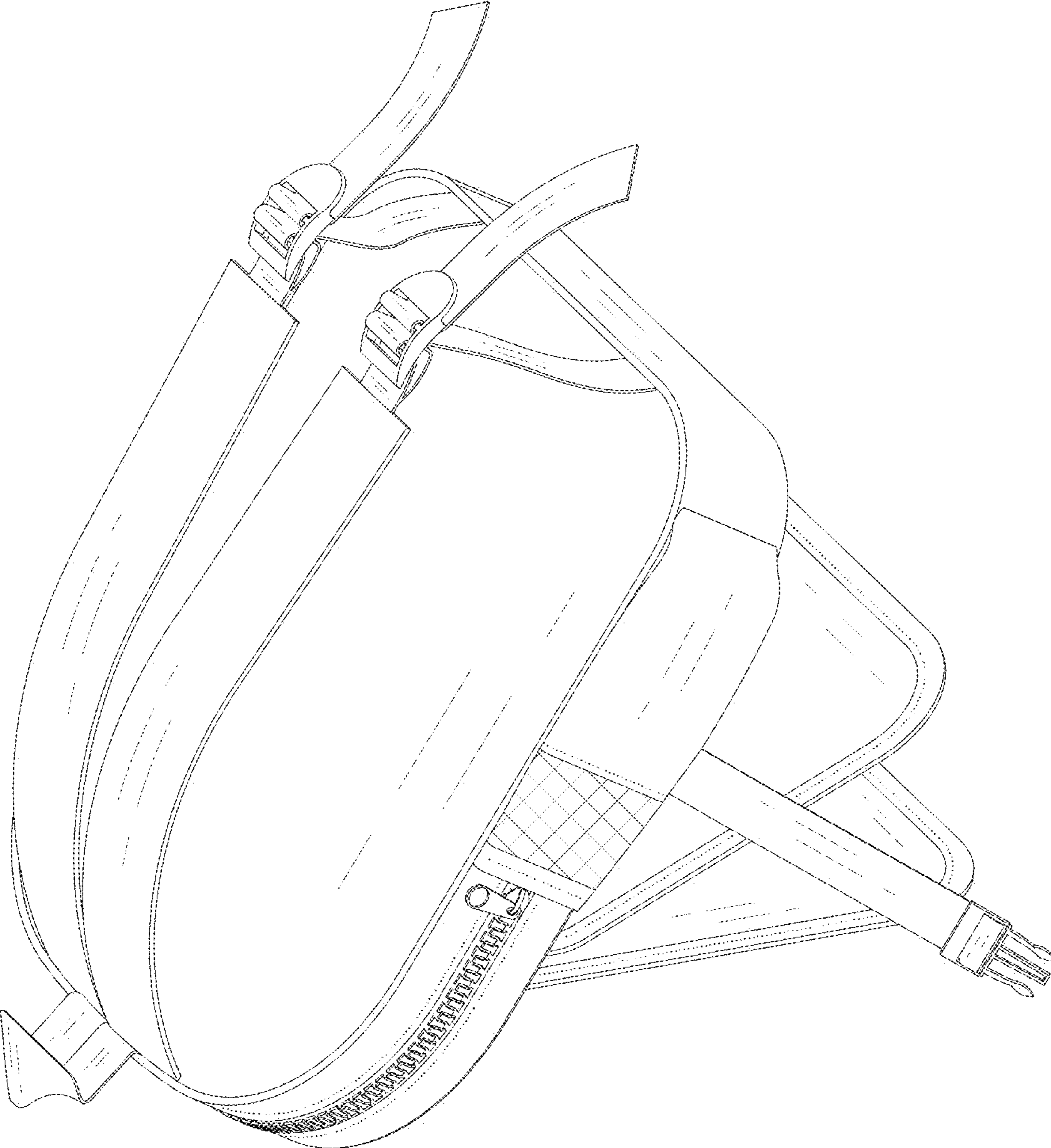


FIG. 2

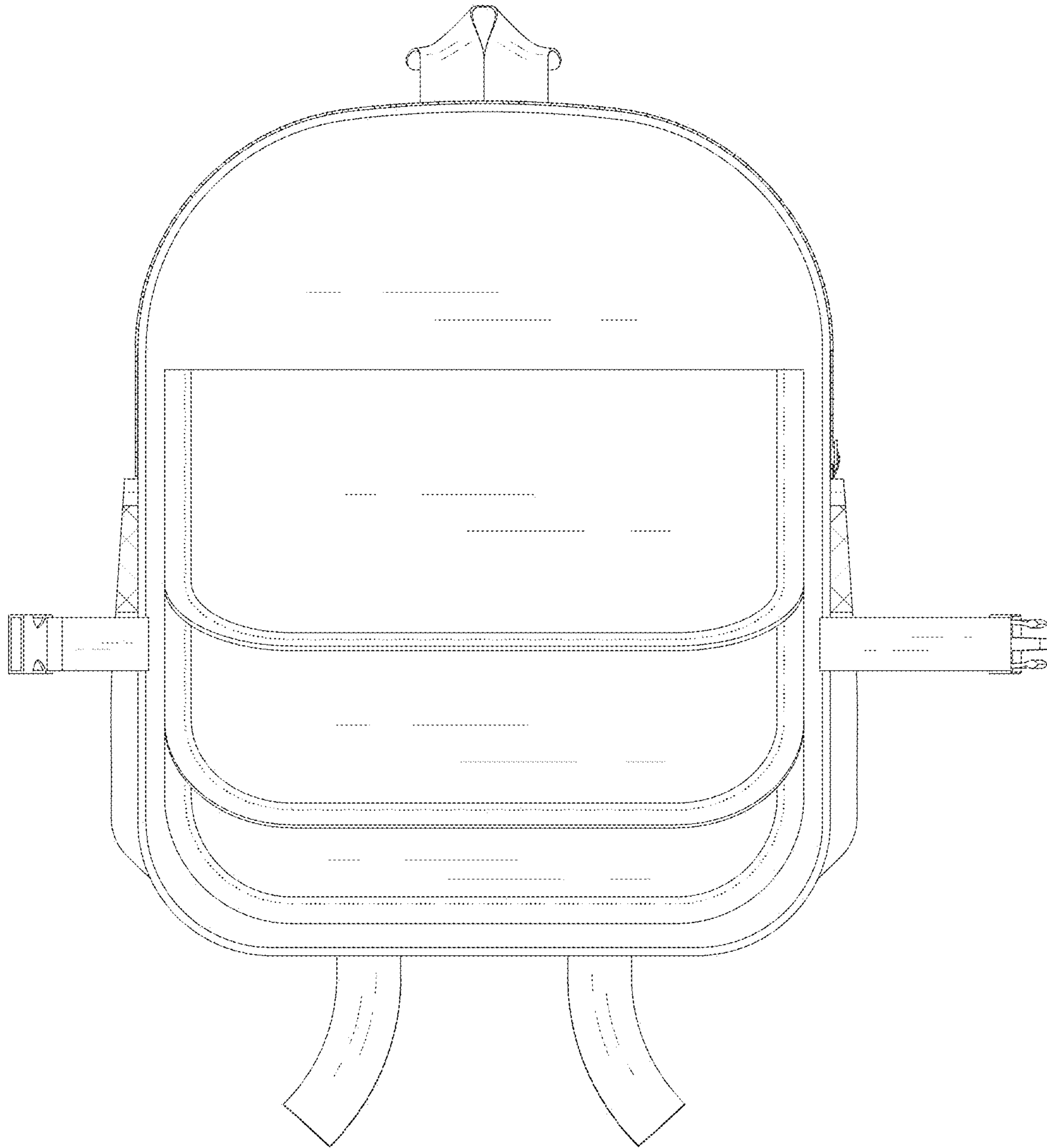


FIG. 3

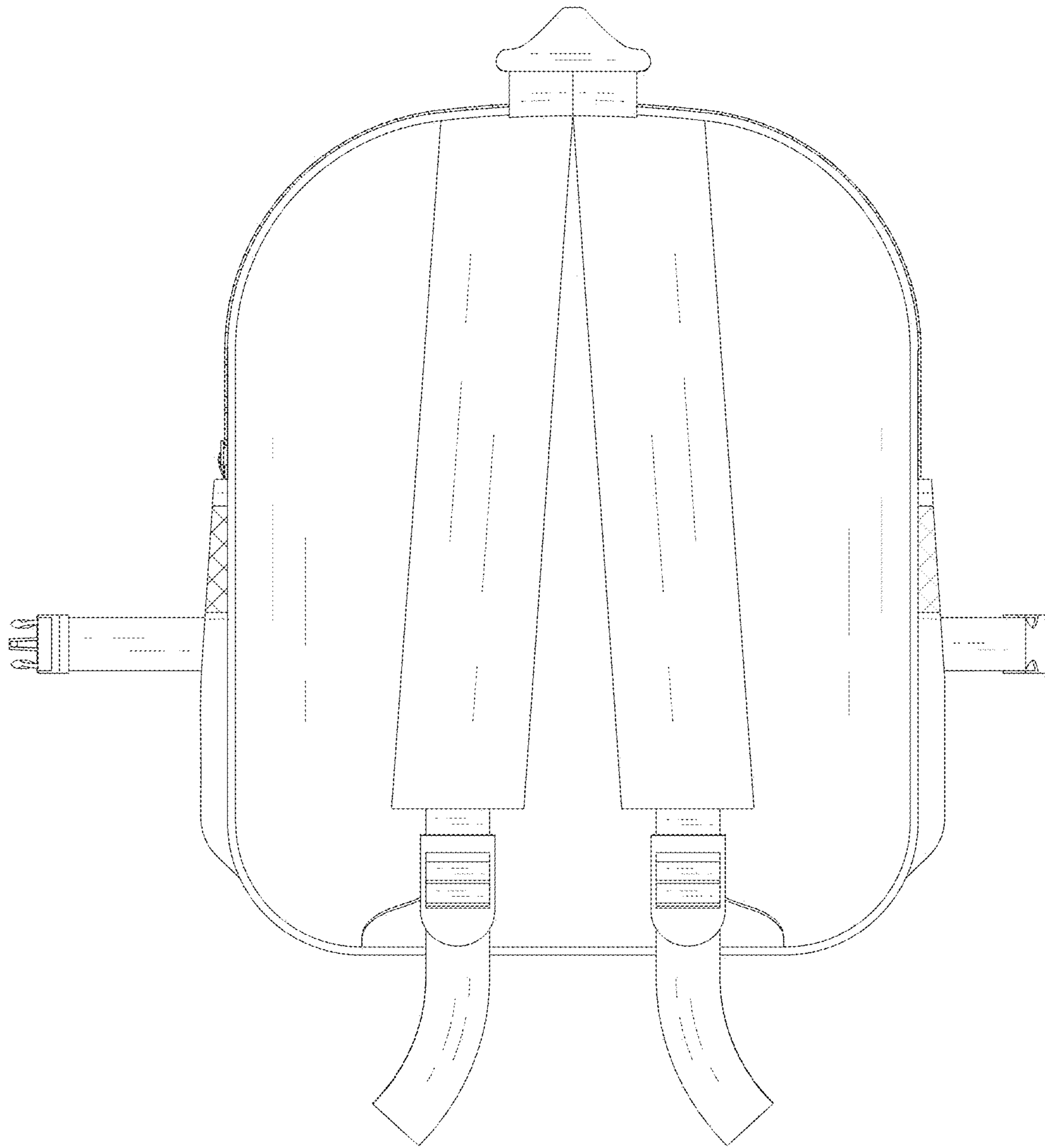


FIG. 4

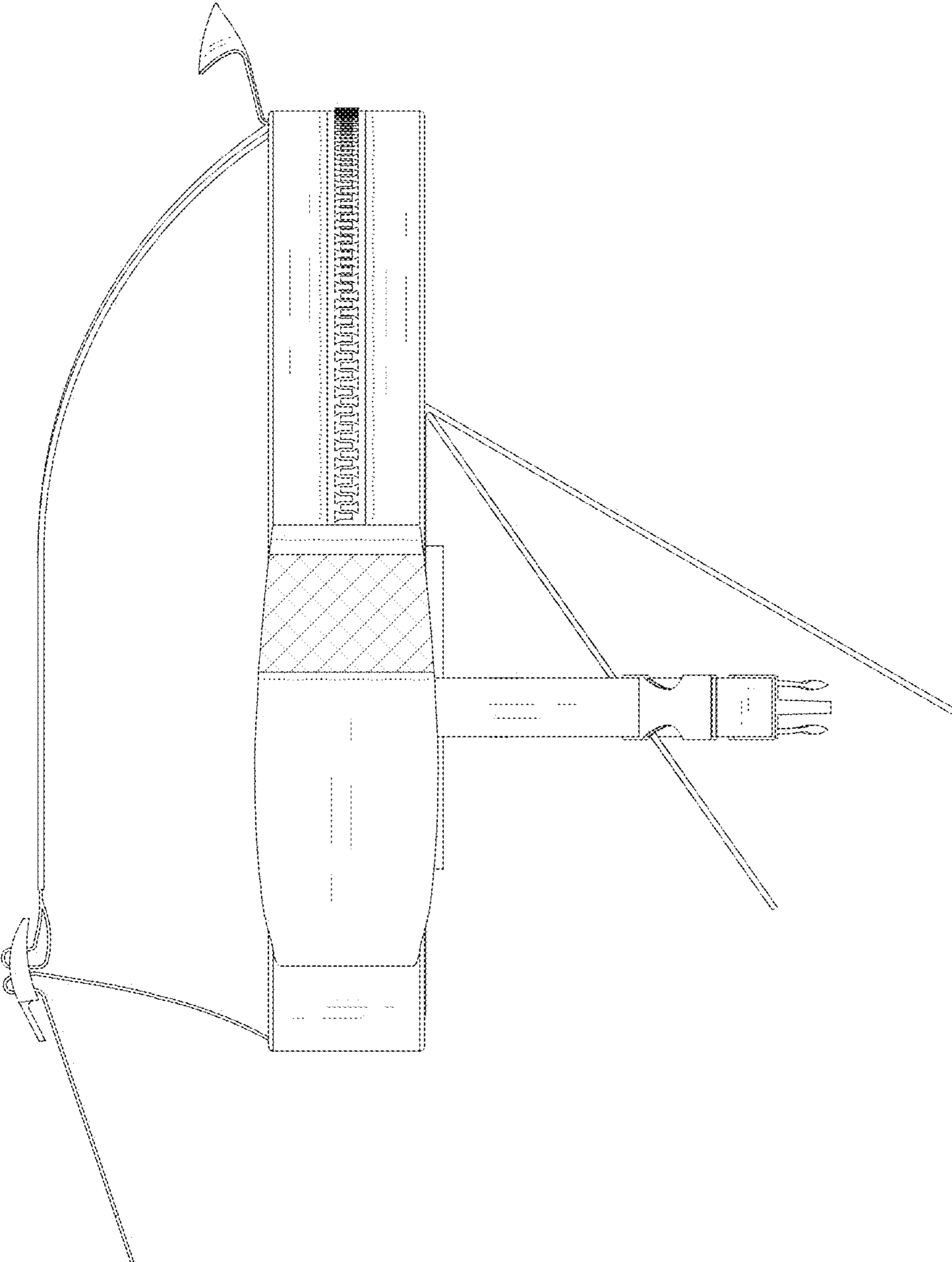


FIG. 5

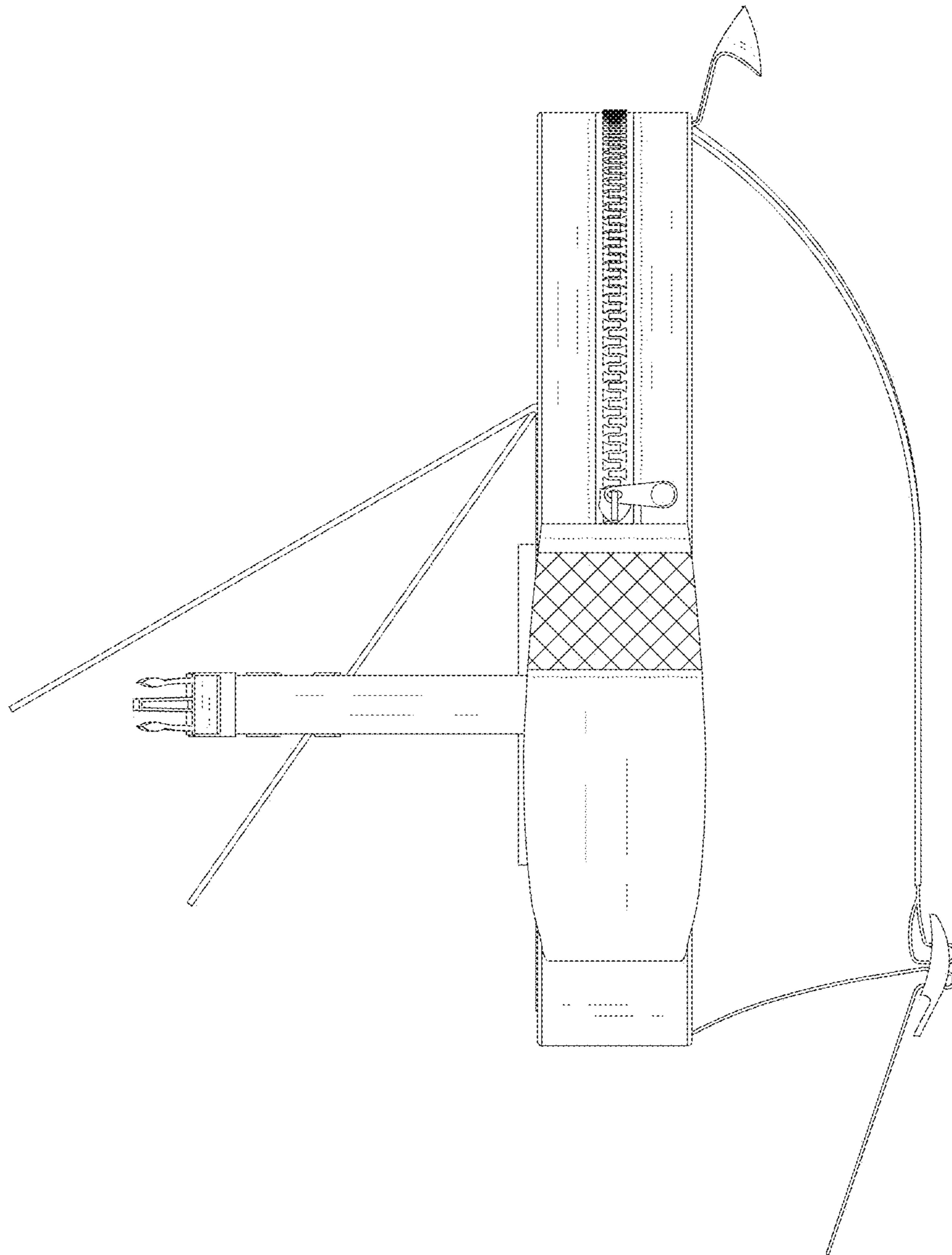


FIG. 6

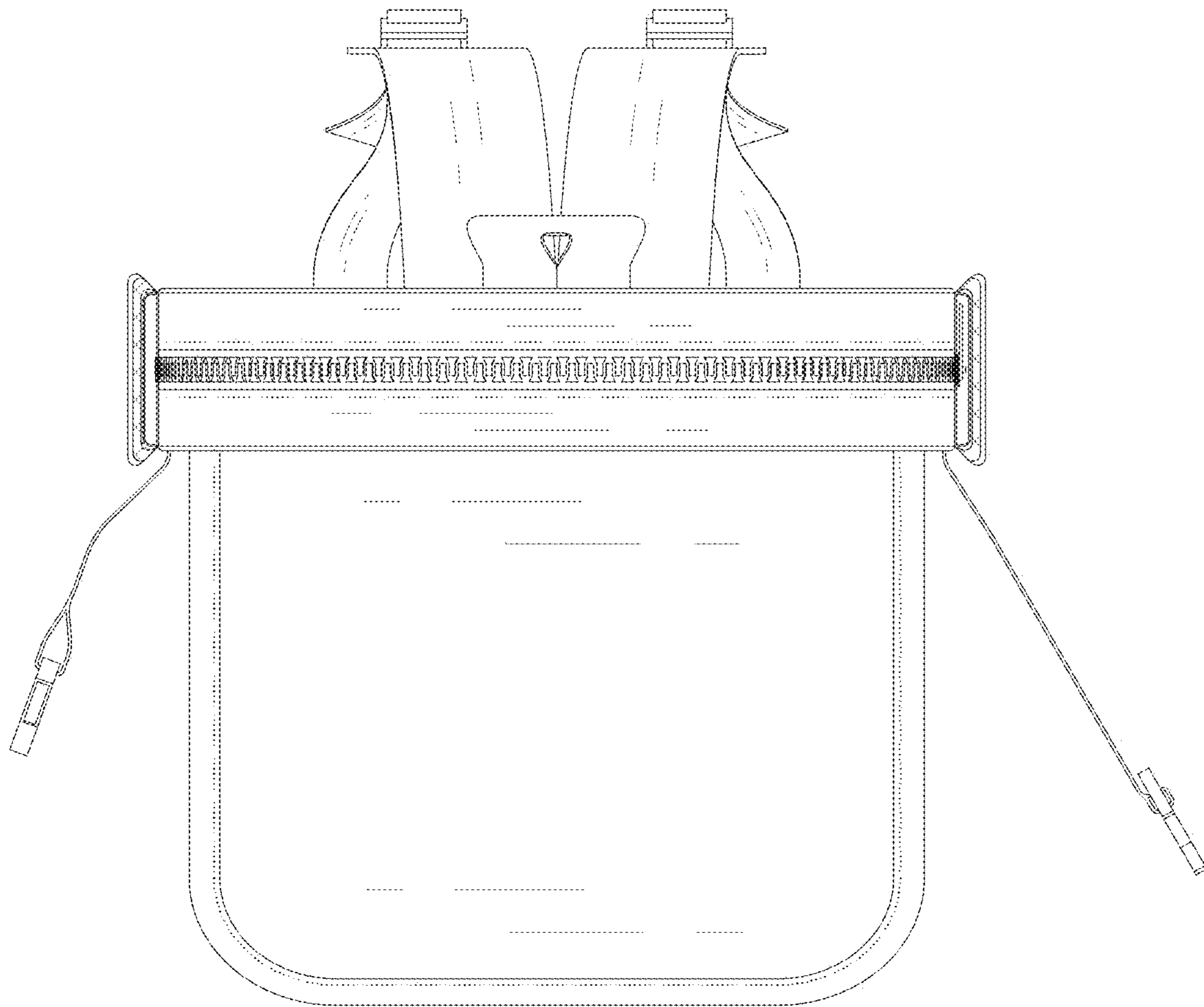


FIG. 7

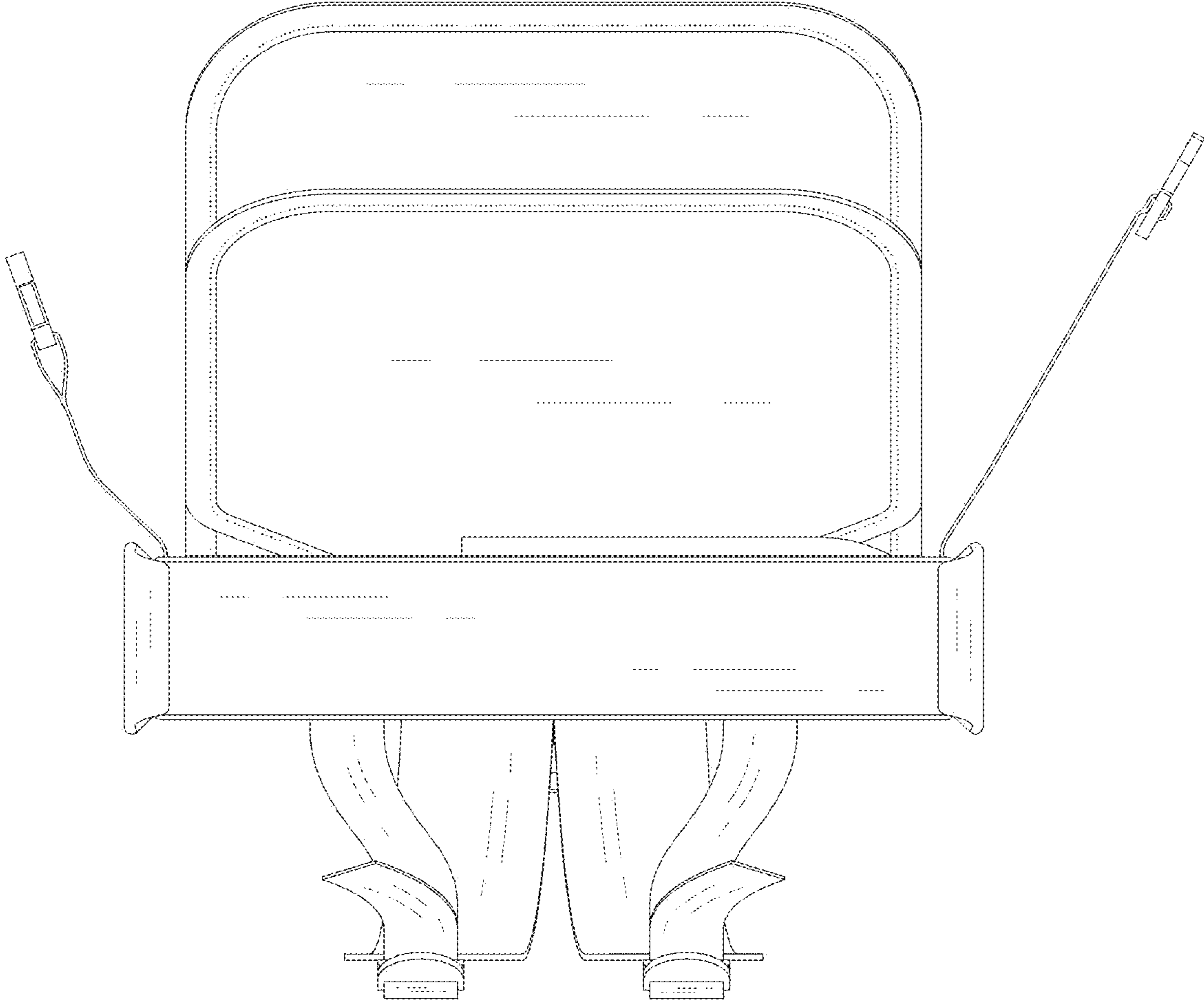


FIG. 8

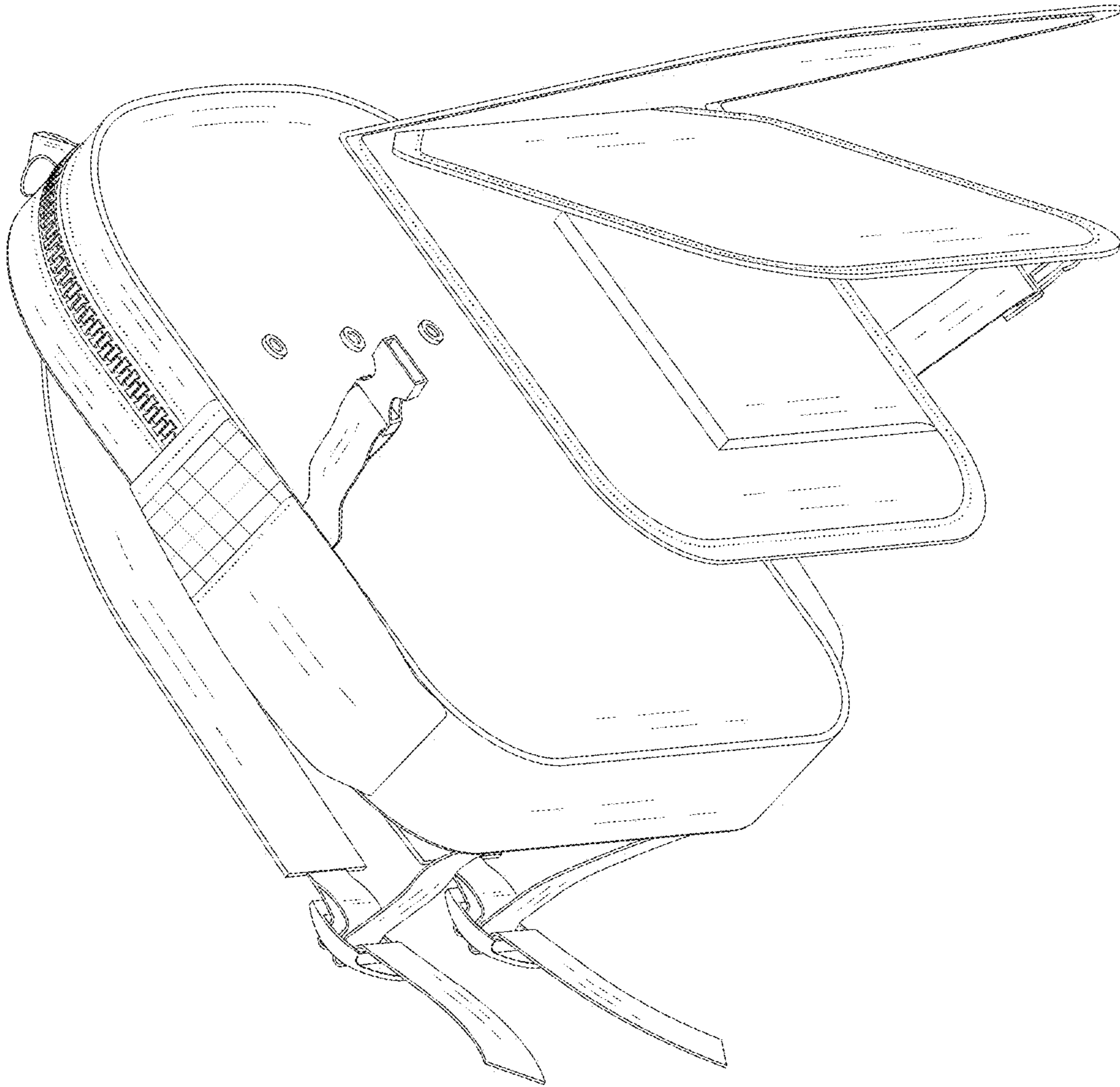


FIG. 9