



US00D988703S

(12) **United States Design Patent**
Dunham

(10) **Patent No.:** **US D988,703 S**
(45) **Date of Patent:** **** Jun. 13, 2023**

(54) **FOOTWEAR**

(71) Applicant: **Target Brands, Inc.**, Minneapolis, MN
(US)

(72) Inventor: **Austyn Dunham**, Minneapolis, MN
(US)

(73) Assignee: **Target Brands, Inc.**, Minneapolis, MN
(US)

(**) Term: **15 Years**

(21) Appl. No.: **29/754,664**

(22) Filed: **Oct. 13, 2020**

(51) **LOC (14) Cl.** **02-04**

(52) **U.S. Cl.**
USPC **D2/970**

(58) **Field of Classification Search**
USPC D2/896, 909, 910, 911, 929, 969, 970,
D2/972

CPC A43B 1/00; A43B 1/02; A43B 1/04; A43B
3/00; A43B 3/02; A43B 3/06; A43B 3/10;
A43B 3/12; A43B 3/14

See application file for complete search history.

(56) **References Cited**

U.S. PATENT DOCUMENTS

D467,715 S	*	12/2002	Finney	D2/970
D481,862 S	*	11/2003	Urie	D2/970
D497,476 S	*	10/2004	Huard	D2/970
D499,233 S		12/2004	Sedlbauer		
D516,285 S		3/2006	Sedlbauer		
D517,791 S		3/2006	Sedlbauer		
D517,792 S		3/2006	Sedlbauer		
D524,019 S		7/2006	Matis et al.		
D539,024 S		3/2007	Belley et al.		
D547,540 S		7/2007	Maderspach		
D556,438 S		12/2007	Maderspach		
D575,948 S	*	9/2008	St-Louis	D2/970
D575,949 S	*	9/2008	St-Louis	D2/970

D575,951 S	*	9/2008	St-Louis	D2/972
D578,748 S	*	10/2008	Banik	D2/970
D580,157 S	*	11/2008	Banik	D2/970
D582,651 S	*	12/2008	Andersen	D2/970
D593,743 S	*	6/2009	Belley	D2/970
D599,539 S		9/2009	St-Louis		
D608,539 S	*	1/2010	Roundhouse	D2/910
D632,882 S		2/2011	O'Rorke		

(Continued)

OTHER PUBLICATIONS

GEA Aktiv Winter Velcro Boots, posting date unavailable [online],
[retrieved Oct. 4, 2022]. Retrieved from internet, <https://www.gea-aktiv.com/GEA-aktiv-WINTER-Klettboots-WP-WL-olive/en> (Year: 2022).*

(Continued)

Primary Examiner — Jonathan J Han

Assistant Examiner — Caitlin Mackenzie Williams

(74) *Attorney, Agent, or Firm* — Merchant & Gould P.C.

(57) **CLAIM**

The ornamental design for a footwear, as shown and described.

DESCRIPTION

FIG. 1 is a front, top, and right side perspective view of an embodiment of a footwear according to the new design; FIG. 2 is a front side elevation view thereof; FIG. 3 is a back side elevation view thereof; FIG. 4 is a right side elevation view thereof; FIG. 5 is a left side elevation view thereof; FIG. 6 is a top plan view thereof; and, FIG. 7 is a back, bottom, and left side perspective view thereof.

The bold broken lines represent stitching and are part of the claimed design.

The broken lines in the drawings show portions that form no part of the claimed design.

1 Claim, 7 Drawing Sheets



(56)

References Cited

U.S. PATENT DOCUMENTS

D648,929 S 11/2011 Van Zyll De Jong et al.
 D660,570 S 5/2012 Joseph
 D662,304 S 6/2012 Spring
 D664,345 S 7/2012 Joseph
 D677,871 S 3/2013 Portzline
 D677,873 S 3/2013 Portzline
 D678,666 S 3/2013 Portzline
 D699,932 S 2/2014 Lubart
 D701,024 S 3/2014 Youngs et al.
 D701,372 S 3/2014 Portzline
 D701,377 S 3/2014 Spring
 D701,681 S * 4/2014 Spring D2/910
 D701,683 S 4/2014 Neely
 D740,534 S 10/2015 Spring
 D754,425 S 4/2016 Deas
 D795,541 S 8/2017 Henrichot et al.
 D862,851 S * 10/2019 Dowd D2/910

D866,934 S 11/2019 Zeng
 D874,808 S 2/2020 Prochmann
 D950,920 S * 5/2022 Dunham D2/912
 D950,922 S * 5/2022 Dunham D2/912
 2013/0133225 A1 * 5/2013 Linth A43B 9/10
 12/146 M

OTHER PUBLICATIONS

Toddler Snow Flurry Insulated Winter Boots, posting date unavailable [online], [retrieved Oct. 4, 2022]. Retrieved from internet, https://www.landsend.com/products/toddler-snow-flurry-insulated-winter-boots/id_363358 (Year: 2022).*

Sorel Unisex-Child Winter Boots Snow, posting date unavailable [online], [retrieved Oct. 4, 2022]. Retrieved from internet, https://www.amazon.com/dp/B082211CHT/ref=twister_B09LDLYRQ9 (Year: 2022).*

* cited by examiner



FIG. 1

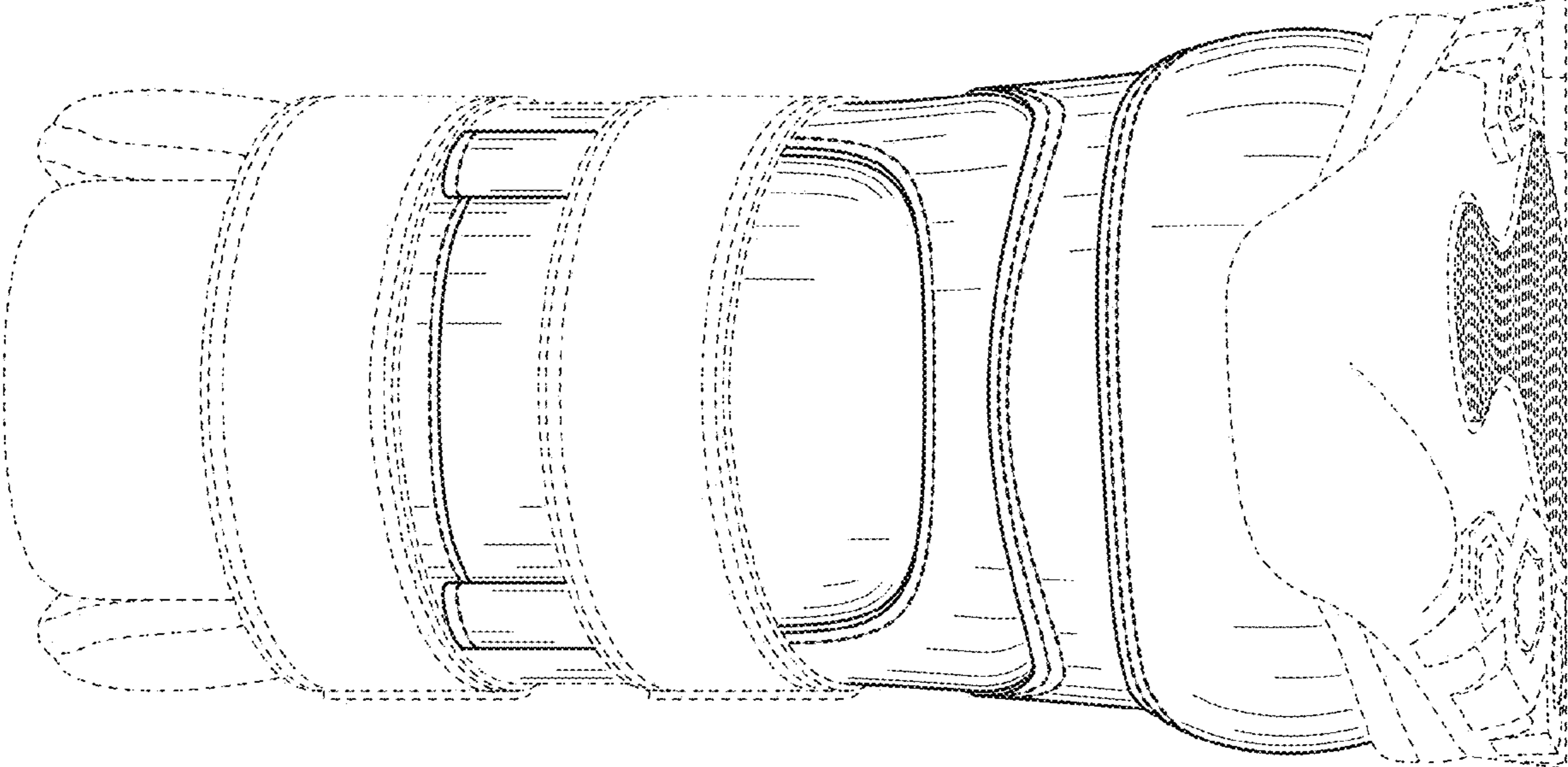


FIG. 2

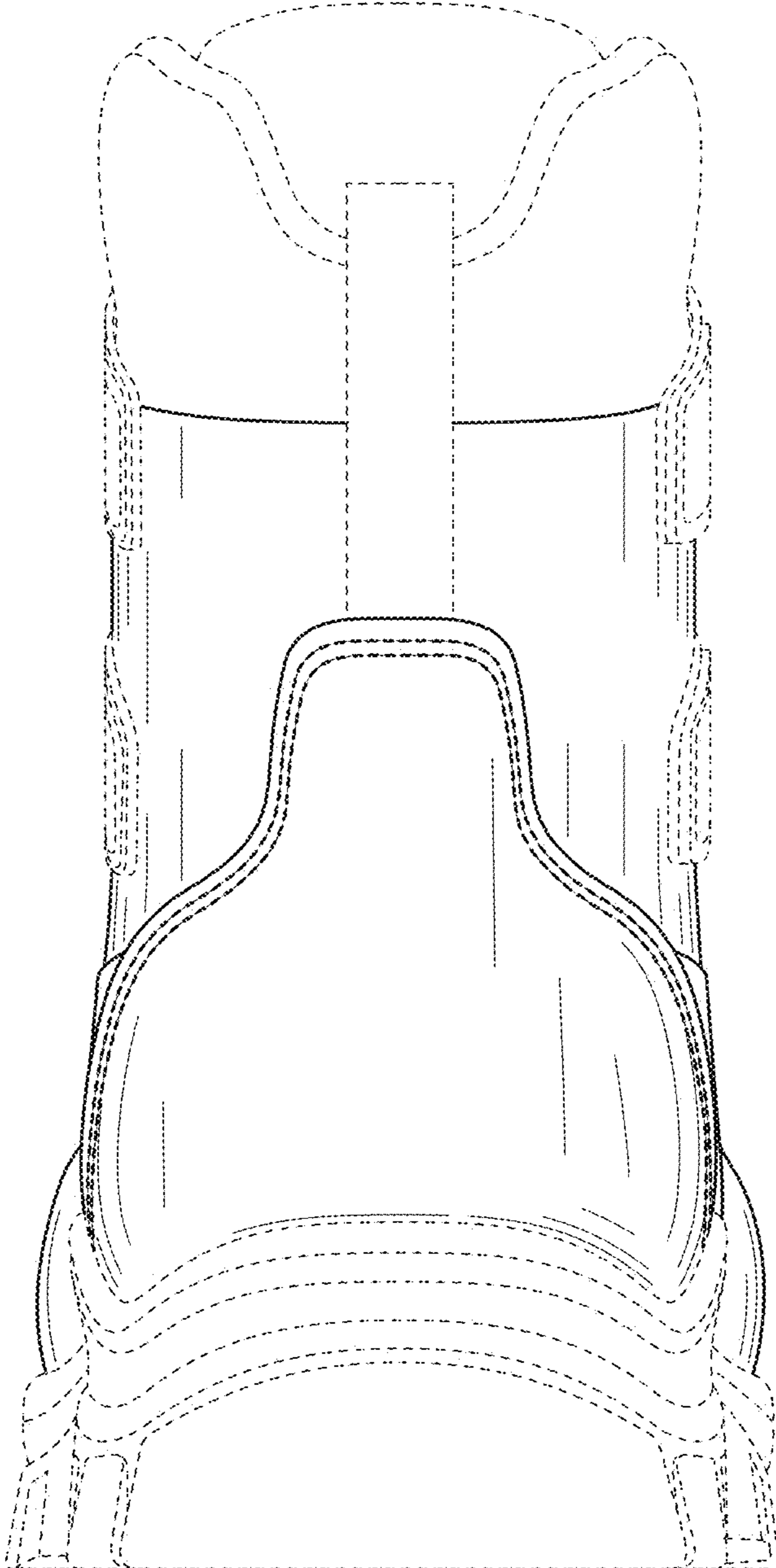


FIG. 3

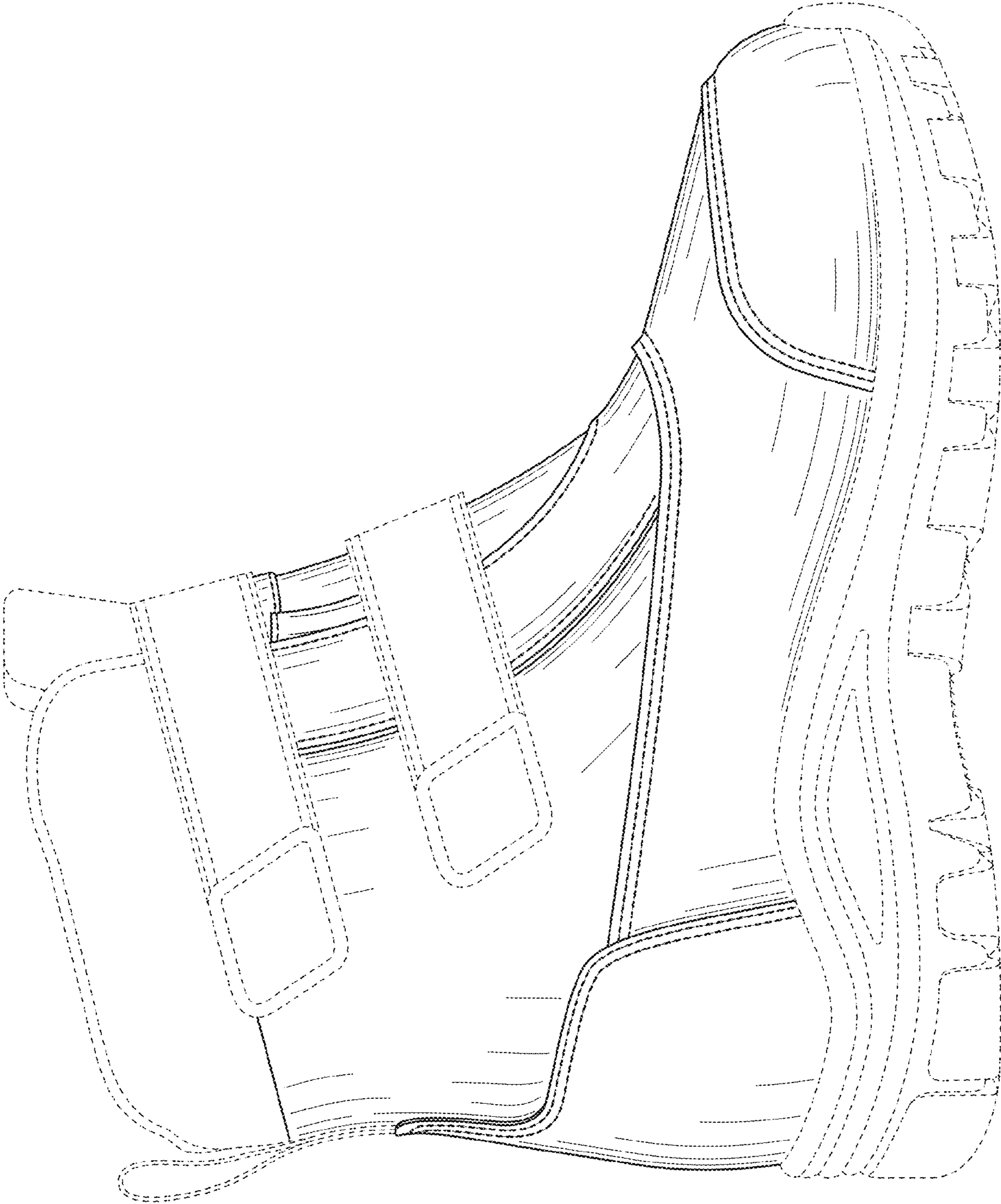


FIG. 4

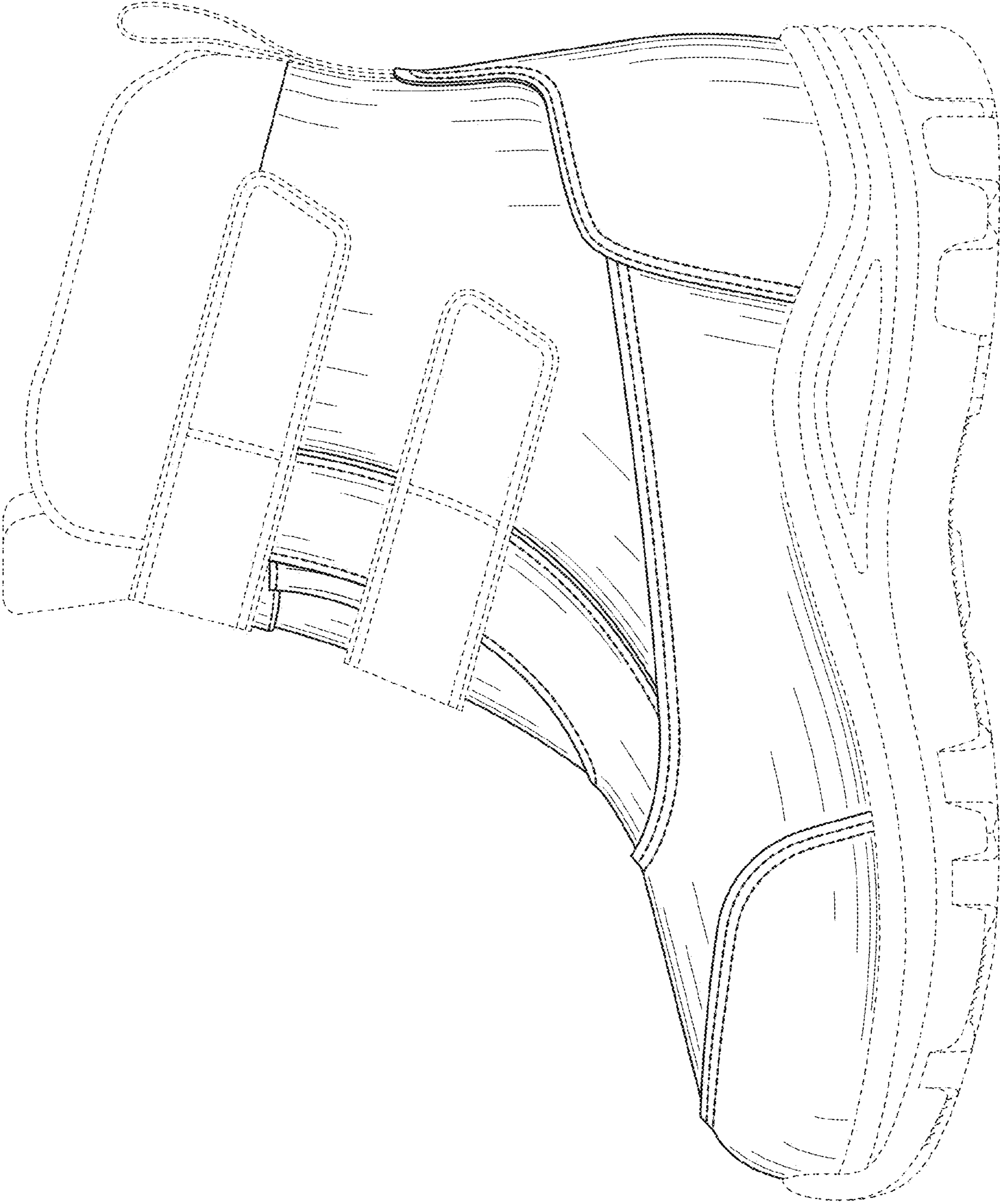


FIG. 5

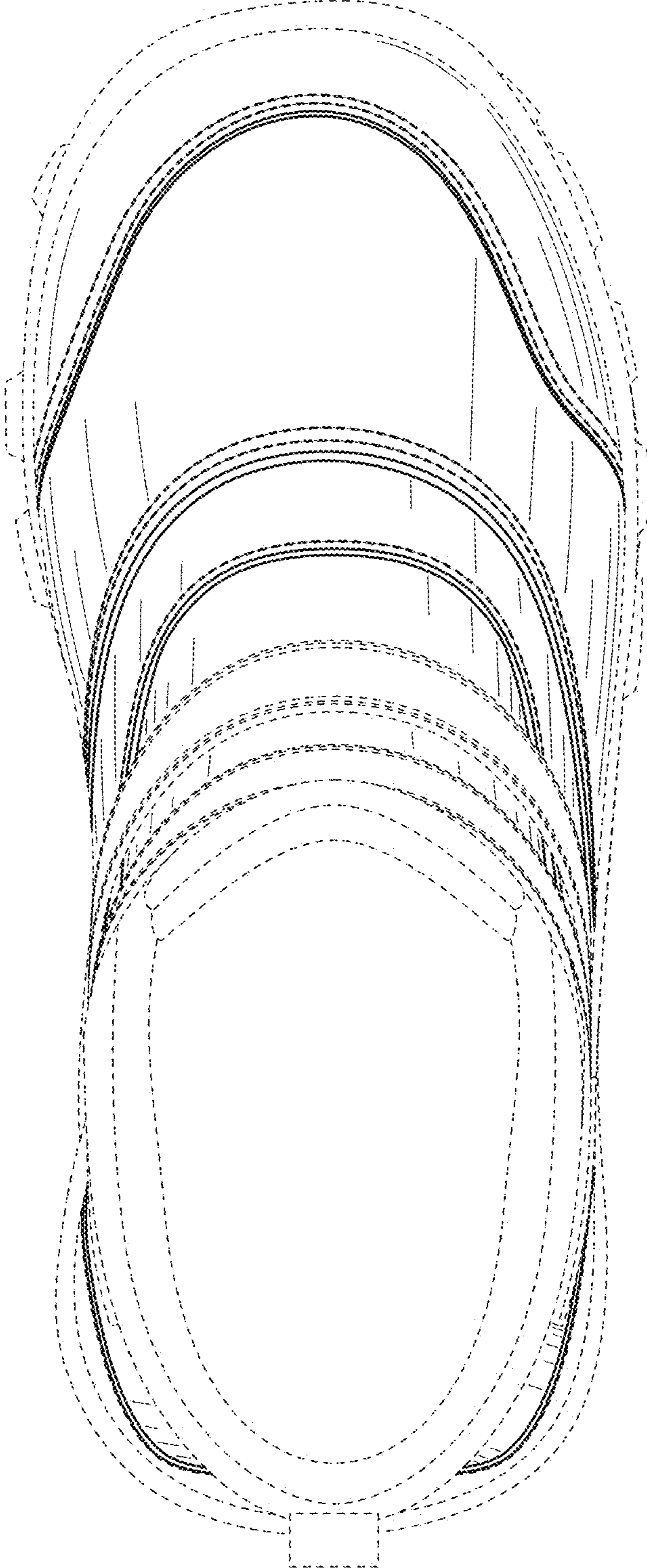


FIG. 6

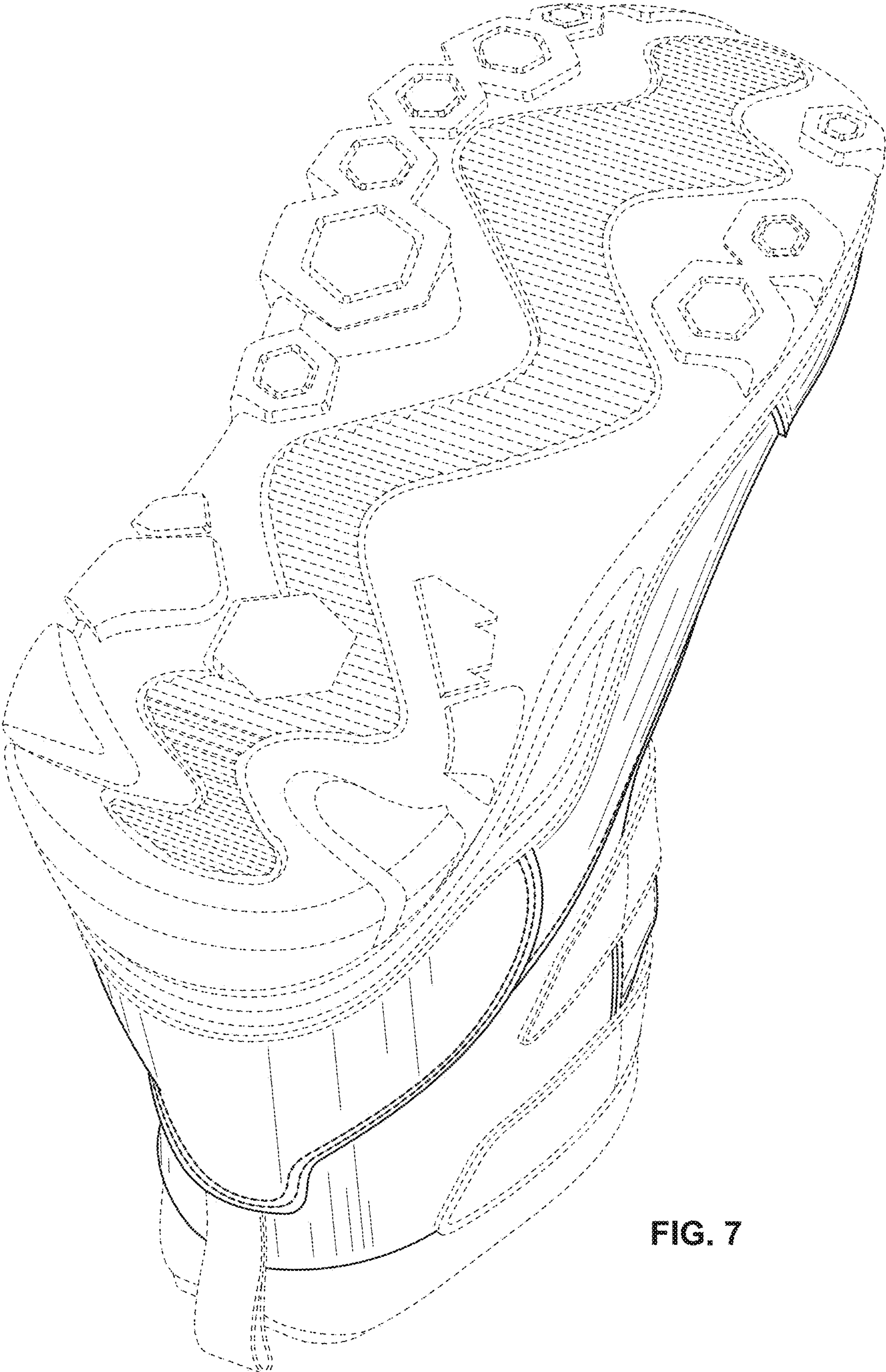


FIG. 7