



US00D988678S

(12) **United States Design Patent**
Kroshinskaya

(10) **Patent No.:** **US D988,678 S**
(45) **Date of Patent:** **** Jun. 13, 2023**

(54) **FOOTWEAR**

(71) Applicant: **Target Brands, Inc.**, Minneapolis, MN (US)
(72) Inventor: **Masha Kroshinskaya**, Minneapolis, MN (US)
(73) Assignee: **Target Brands, Inc.**, Minneapolis, MN (US)

(**) Term: **15 Years**

(21) Appl. No.: **29/819,317**

(22) Filed: **Dec. 14, 2021**

Related U.S. Application Data

(62) Division of application No. 29/746,643, filed on Aug. 14, 2020, now Pat. No. Des. 957,105.

(51) **LOC (14) Cl.** **02-04**

(52) **U.S. Cl.**
USPC **D2/951**; D2/947; D2/960

(58) **Field of Classification Search**
USPC D2/902, 906, 908, 916, 918, 925, D2/946-962, 977
CPC A43B 13/00; A43B 13/02; A43B 13/023; A43B 13/026; A43B 13/04; A43B 13/08; A43B 13/10; A43B 13/12; A43B 13/14; A43B 13/141; A43B 13/143; A43B 13/16; A43B 13/18; A43B 13/181; A43B 13/187; A43B 13/189; A43B 13/20; A43B 13/22; A43B 13/223; A43B 13/24; A43B 13/28; A43B 13/30; A43B 13/32; A43B 13/34; A43B 13/36

See application file for complete search history.

(56) **References Cited**

U.S. PATENT DOCUMENTS

4,200,997 A 5/1980 Scheinhaus et al.
4,275,512 A 6/1981 Zeligman et al.

4,300,294 A 11/1981 Riecken
4,446,633 A 5/1984 Scheinhaus et al.
4,793,075 A 12/1988 Thatcher
4,817,302 A 4/1989 Saltsman
4,869,000 A 9/1989 York, Jr.
4,967,750 A 11/1990 Cherniak
5,056,241 A 10/1991 Young
D330,454 S * 10/1992 Elliot D2/955
5,205,054 A 4/1993 York, Jr.
5,423,134 A 6/1995 Bagnaia et al.
5,465,506 A 11/1995 Matis et al.
5,533,278 A 7/1996 Stein

(Continued)

FOREIGN PATENT DOCUMENTS

CA 25148080 C 2/2007
CN 205492741 8/2016

(Continued)

Primary Examiner — Jonathan J Han

(74) *Attorney, Agent, or Firm* — Merchant & Gould P.C.

(57) **CLAIM**

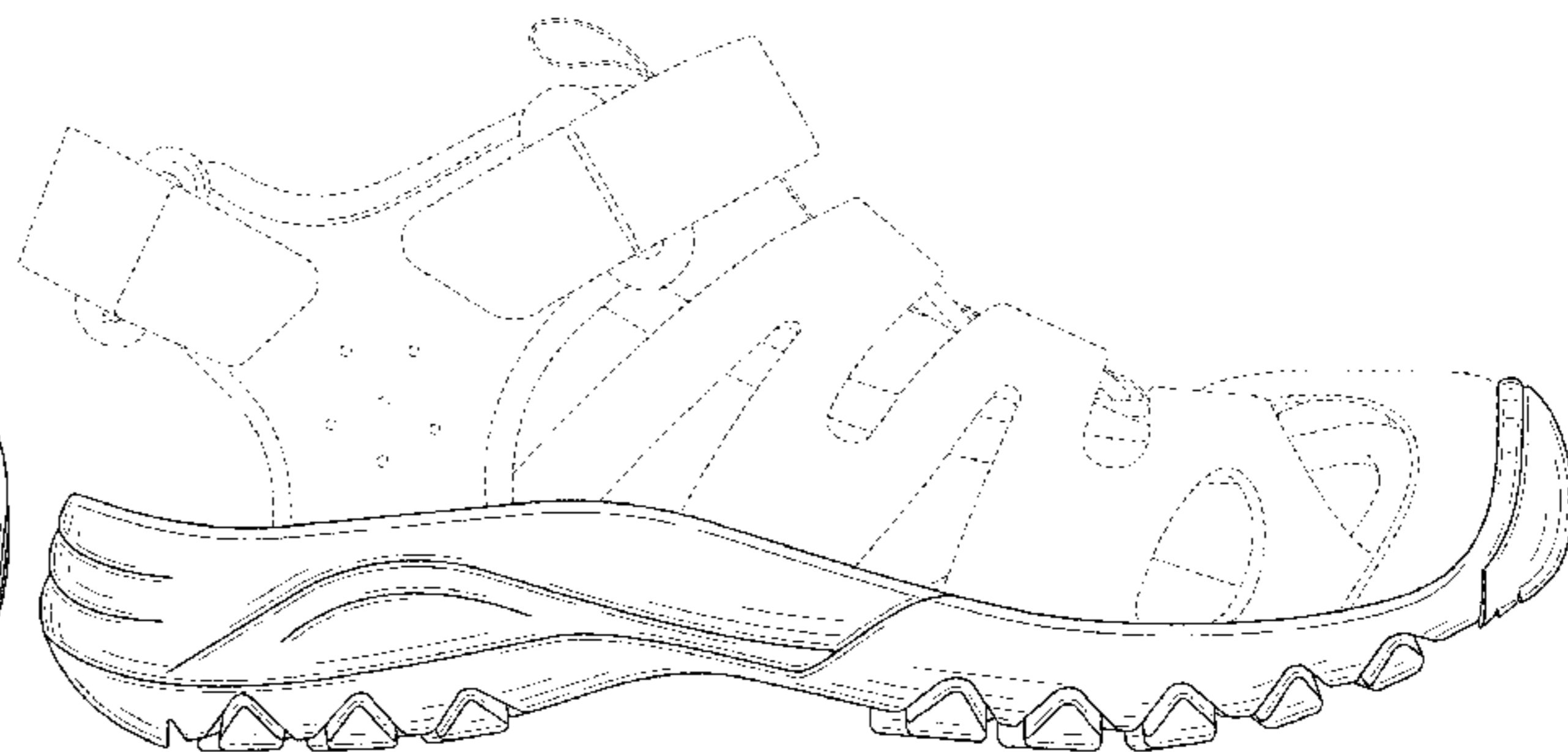
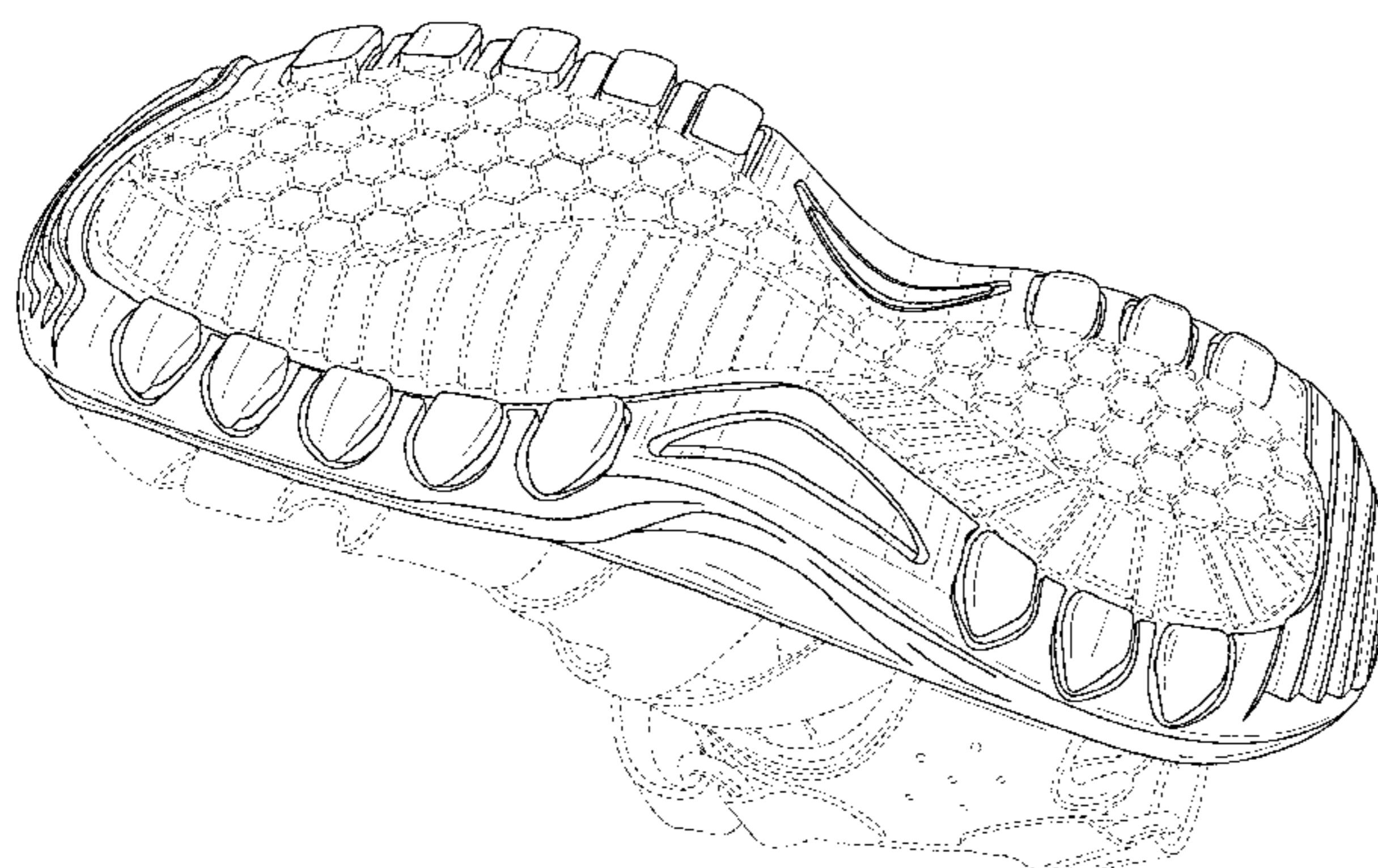
The ornamental design for a footwear, as shown and described.

DESCRIPTION

FIG. 1 is a front, top and right side perspective view of an embodiment of a footwear according to the new design; FIG. 2 is a bottom and right side perspective view thereof; FIG. 3 is a right side elevation view thereof; FIG. 4 is a left side elevation view thereof; FIG. 5 is a front elevation view thereof; FIG. 6 is a back elevation view thereof; FIG. 7 is a top plan view thereof; and, FIG. 8 is a bottom plan view thereof.

The broken lines in the drawings show portions that form no part of the claimed design.

1 Claim, 8 Drawing Sheets



(56)

References Cited

U.S. PATENT DOCUMENTS

5,561,919 A 10/1996 Gill
 RE35,452 E 2/1997 Sargeant
 D385,093 S * 10/1997 Cass D2/957
 5,687,492 A 11/1997 Muraoka
 D387,938 S * 12/1997 Lucas D2/951
 5,836,090 A 11/1998 Smith
 D406,691 S * 3/1999 McDowell D2/951
 5,901,394 A 5/1999 Greenawalt
 D413,713 S * 9/1999 Hernandez D2/954
 6,021,585 A 2/2000 Cole
 D421,831 S * 3/2000 McDowell D2/947
 6,052,920 A 4/2000 Bathum
 D424,286 S * 5/2000 Berend D2/951
 D427,757 S * 7/2000 Ruth D2/951
 D441,946 S * 5/2001 Agnew D2/960
 6,237,250 B1 5/2001 Aguerre
 6,543,157 B2 4/2003 Pan
 D476,800 S * 7/2003 Fuerst D2/960
 6,606,803 B1 8/2003 Ritter et al.
 6,637,130 B2 10/2003 Urie et al.
 6,694,641 B1 2/2004 Gill
 6,772,541 B1 8/2004 Ritter et al.
 D495,859 S * 9/2004 Kubo D2/960
 D495,860 S * 9/2004 Kubo D2/954
 D497,707 S * 11/2004 Lee D2/951
 D507,401 S * 7/2005 Sedlbauer D2/954
 D512,818 S * 12/2005 Mitani D2/977
 D528,270 S * 9/2006 Keen D2/916
 7,103,993 B2 9/2006 Sakai
 D552,337 S * 10/2007 Parekh D2/960
 D560,335 S * 1/2008 Turner A43B 13/223
 7,320,189 B2 * 1/2008 Clark A43B 3/24
 36/50.1
 D566,938 S * 4/2008 Matis D2/959
 D574,130 S * 8/2008 Le D2/956
 D588,791 S * 3/2009 Nelson D2/951
 7,794,417 B1 9/2010 Zimmerman
 7,823,299 B1 11/2010 Brigham
 8,460,593 B2 6/2013 Fogg et al.
 8,839,529 B1 9/2014 Levy

D717,033 S * 11/2014 Law D2/951
 D730,021 S * 5/2015 Conchieri D2/902
 D734,931 S * 7/2015 McCourt D2/951
 D755,491 S * 5/2016 Nakano D2/951
 D768,364 S * 10/2016 Chanthavong D2/923
 D769,587 S * 10/2016 Chanthavong D2/907
 9,468,252 B2 10/2016 Dematteo
 9,955,755 B2 5/2018 Heid
 10,278,454 B2 5/2019 Kohatsu et al.
 D882,217 S * 4/2020 Zhang D2/951
 D897,651 S * 10/2020 Rinella D2/947
 D909,020 S * 2/2021 Gvasalia D2/907
 D917,144 S * 4/2021 Jensen D2/947
 D919,248 S * 5/2021 Post D2/951
 D919,943 S * 5/2021 Zhang D2/954
 D943,913 S * 2/2022 Kroshinskaya D2/969
 D955,091 S * 6/2022 Kroshinskaya D2/903
 D957,105 S * 7/2022 Kroshinskaya D2/947
 2004/0154188 A1 * 8/2004 Laska A43B 13/186
 36/31
 2006/0059712 A1 5/2006 Asham
 2006/0288610 A1 12/2006 Laska et al.
 2009/0313854 A1 12/2009 Clarke
 2010/0242305 A1 9/2010 Liu
 2012/0124860 A1 5/2012 Waddel
 2017/0143071 A1 5/2017 Huang et al.
 2017/0360142 A1 12/2017 Griffin
 2019/0350304 A1 11/2019 Velazquez et al.

FOREIGN PATENT DOCUMENTS

CN 109645617 A 4/2019
 CN 209403674 U 9/2019
 FR 3057741 B3 4/2018
 GB 2046077 11/1980
 GB 2377615 B 1/2003
 GB 2550880 A 12/2017
 JP 3217949 9/2018
 KR 100719159 B1 5/2007
 KR 20100038481 A 4/2010
 KR 20160147227 12/2016
 WO WO 2012/031801 3/2012

* cited by examiner

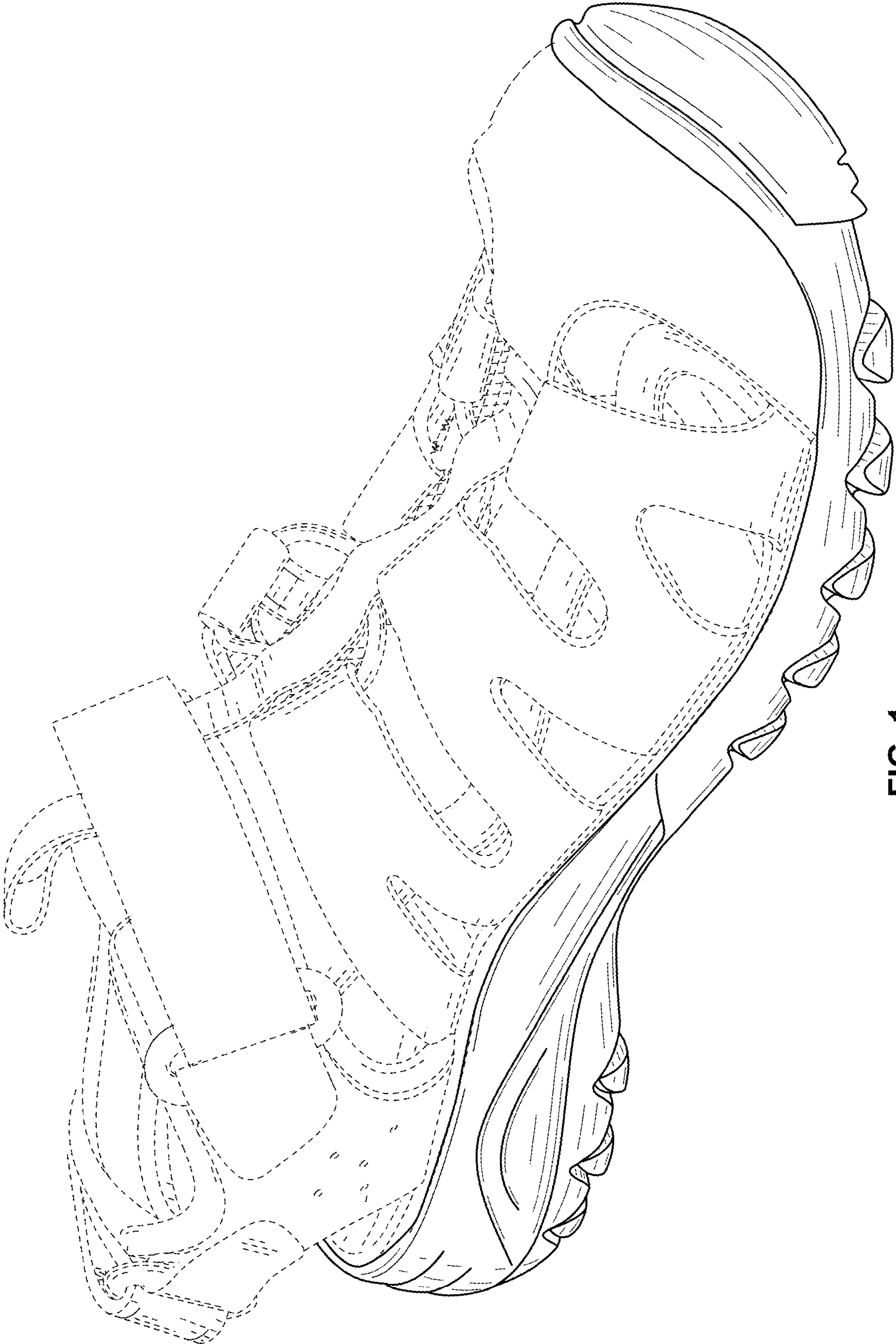


FIG. 1

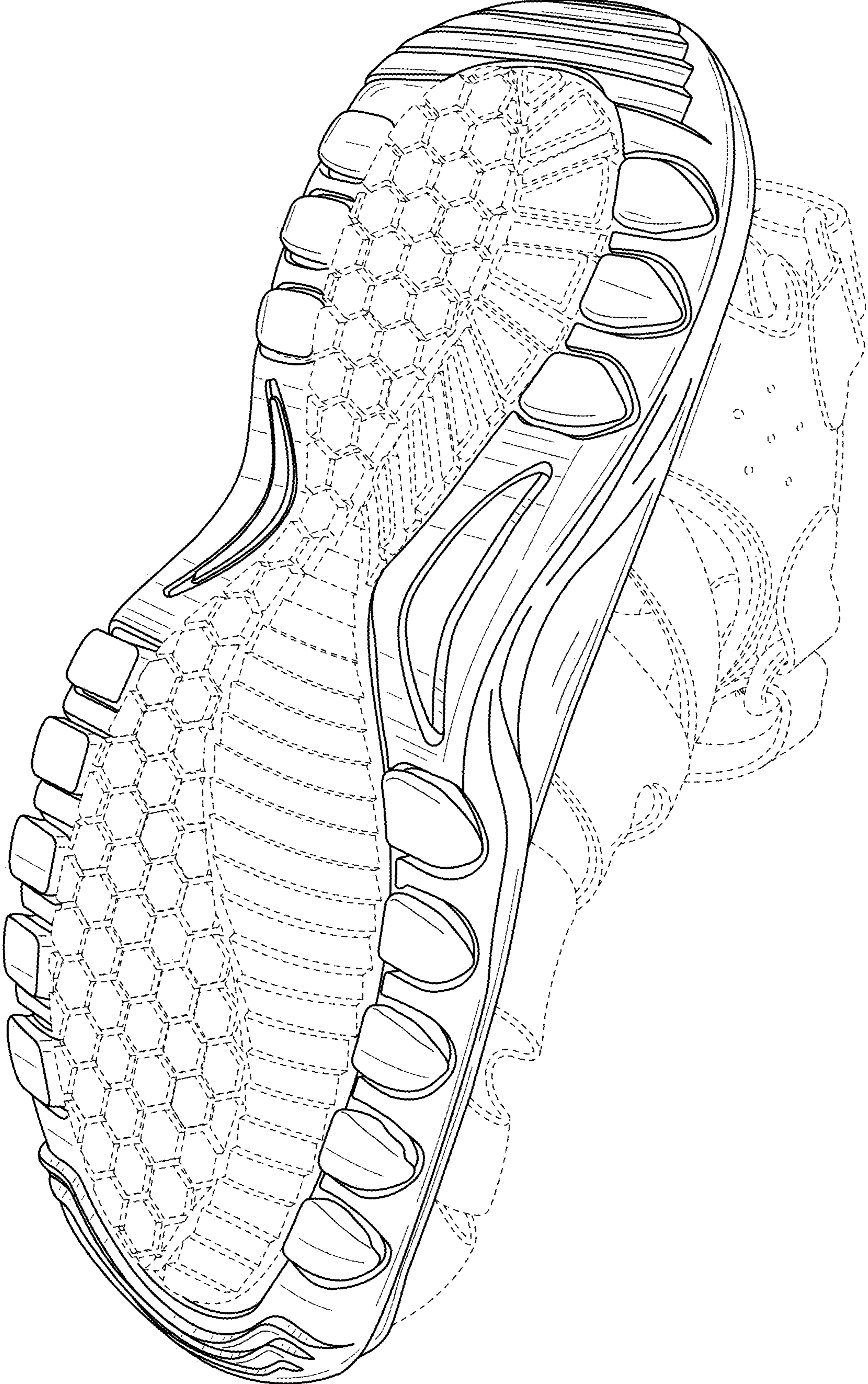


FIG. 2

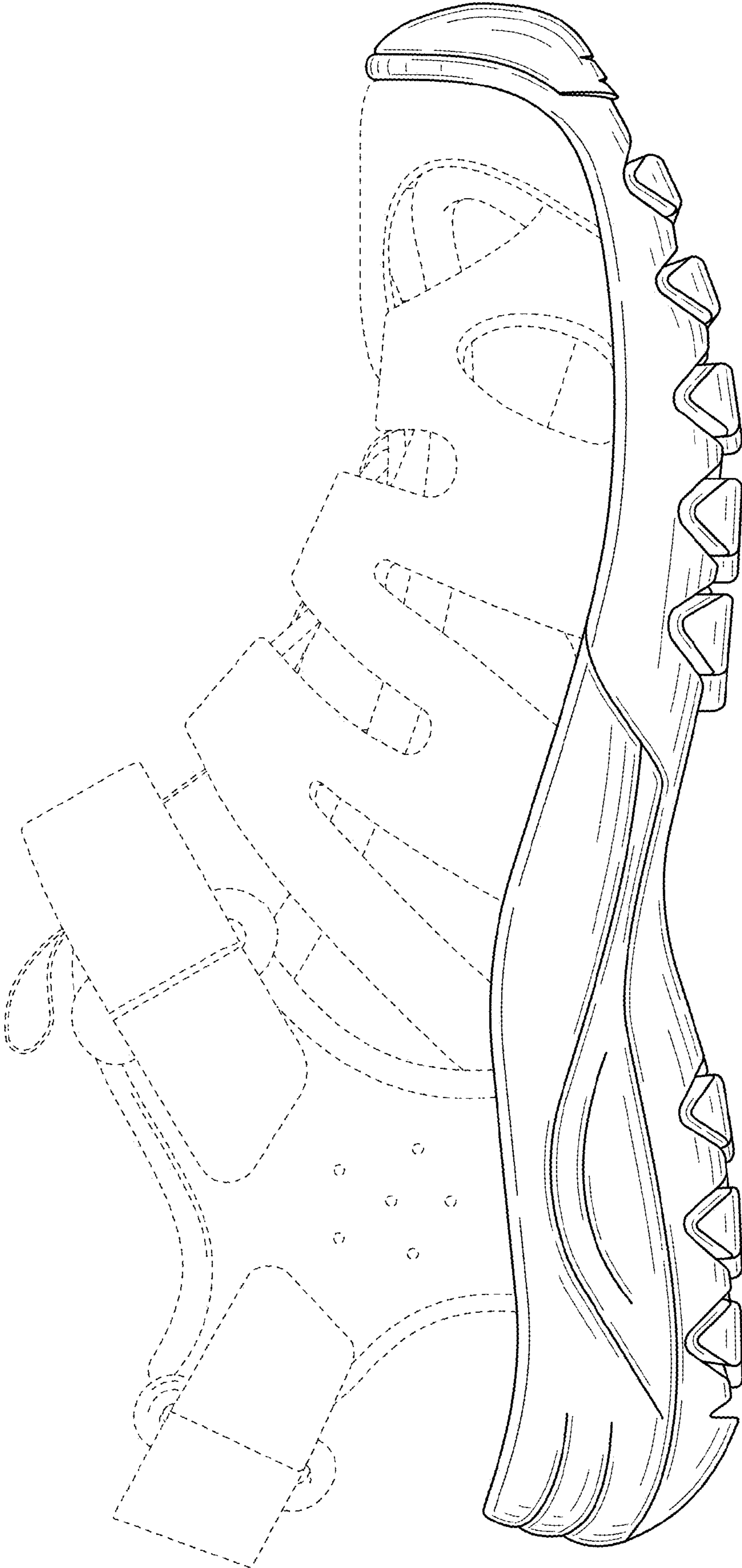


FIG. 3

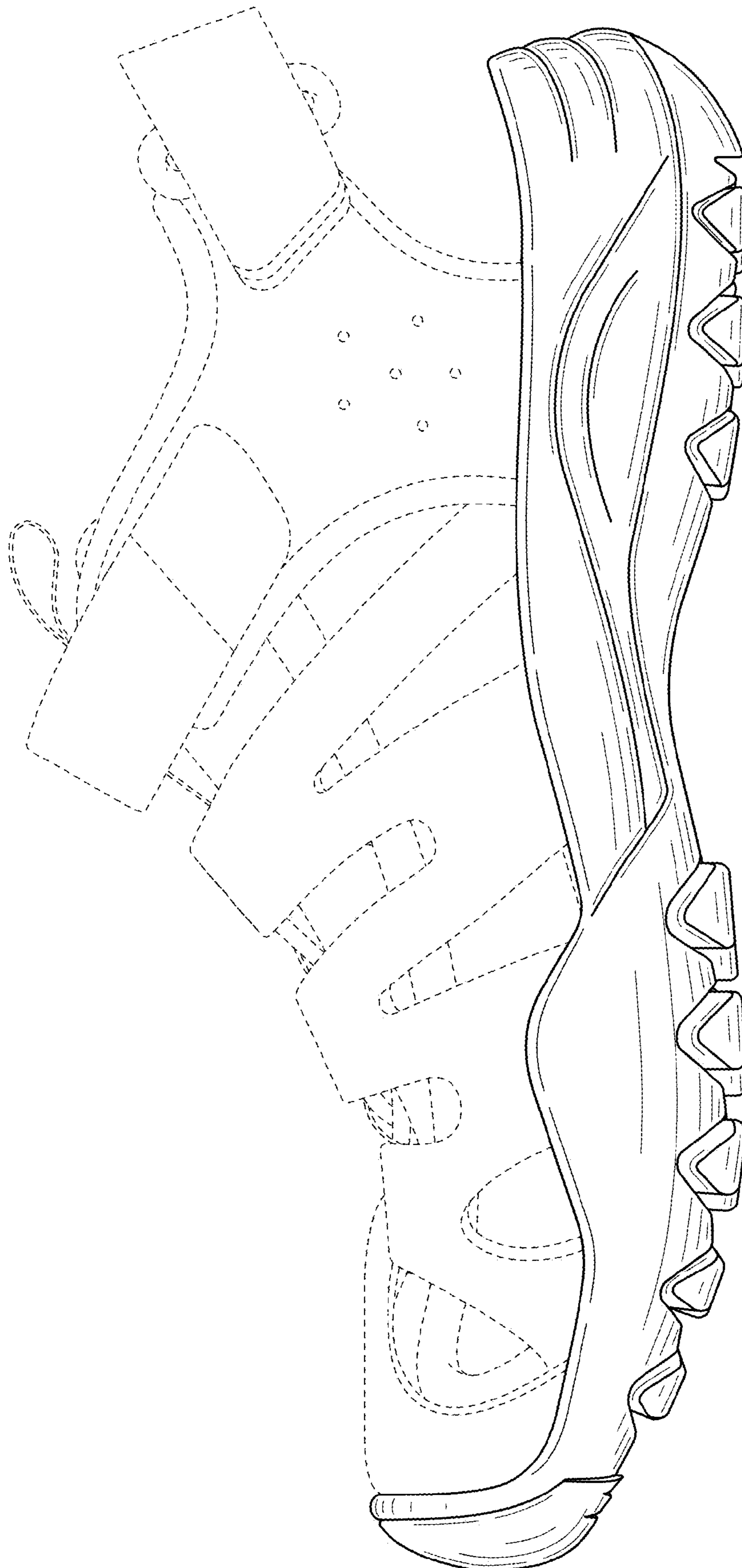


FIG. 4

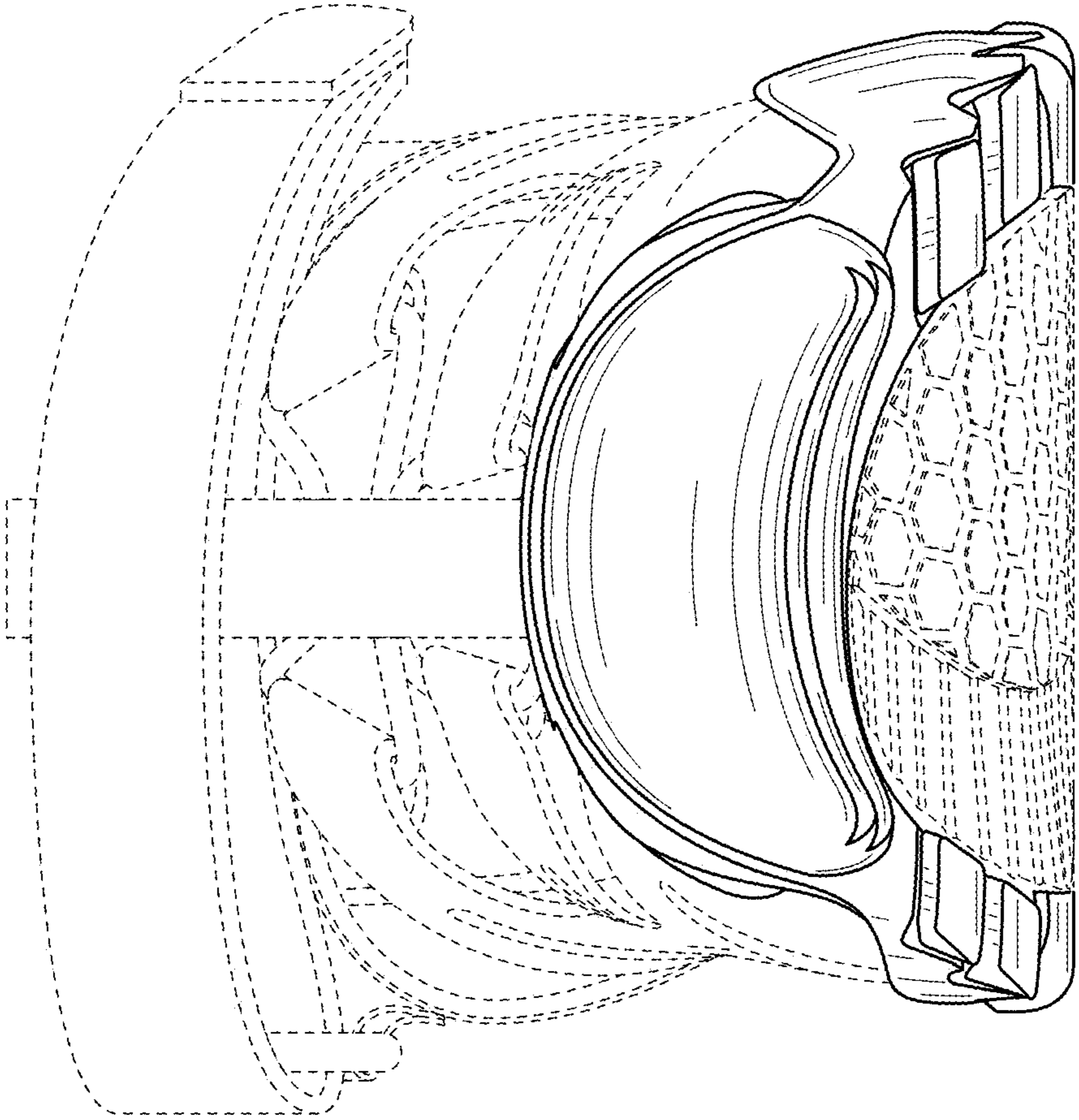


FIG. 5

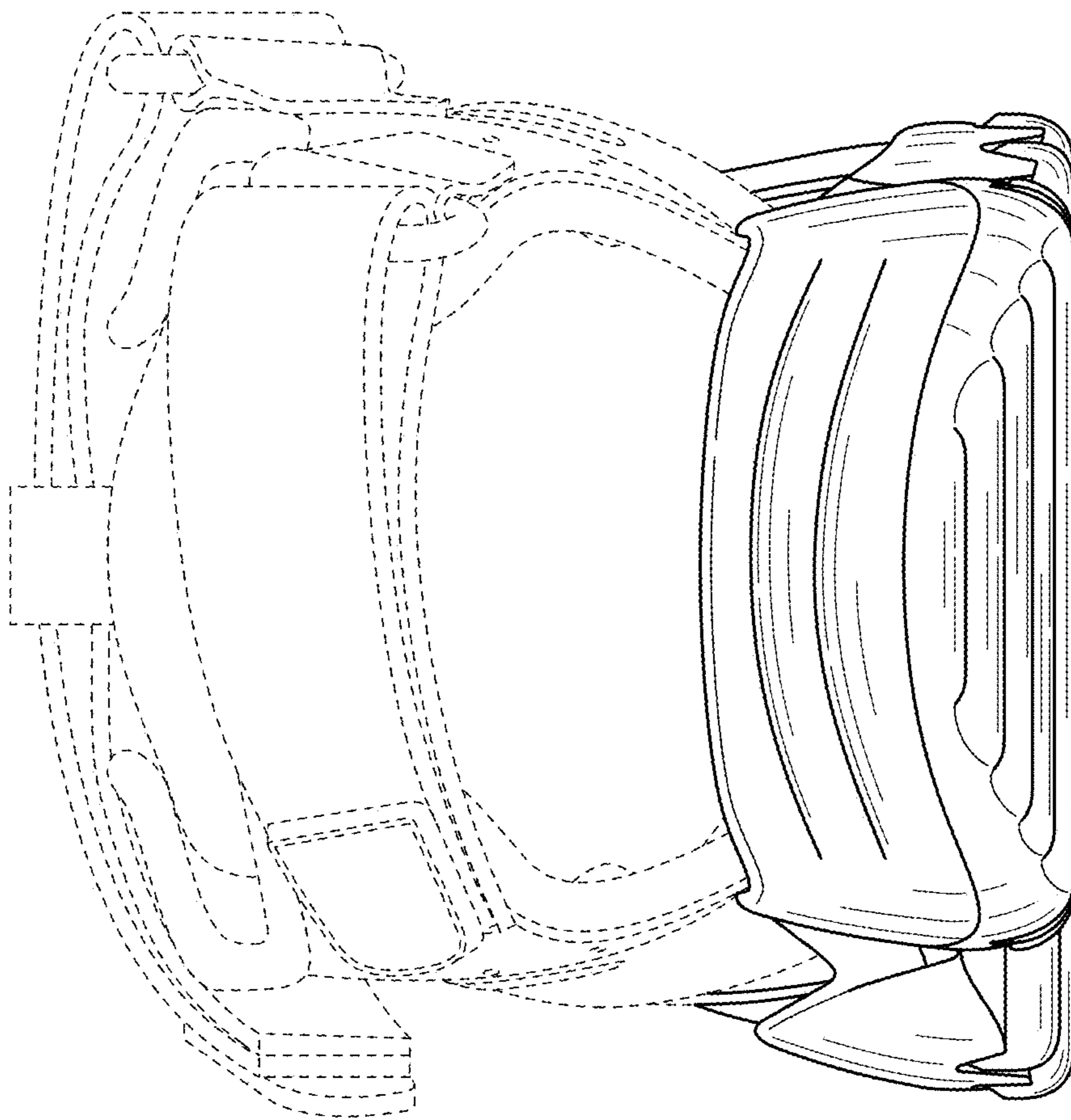


FIG. 6

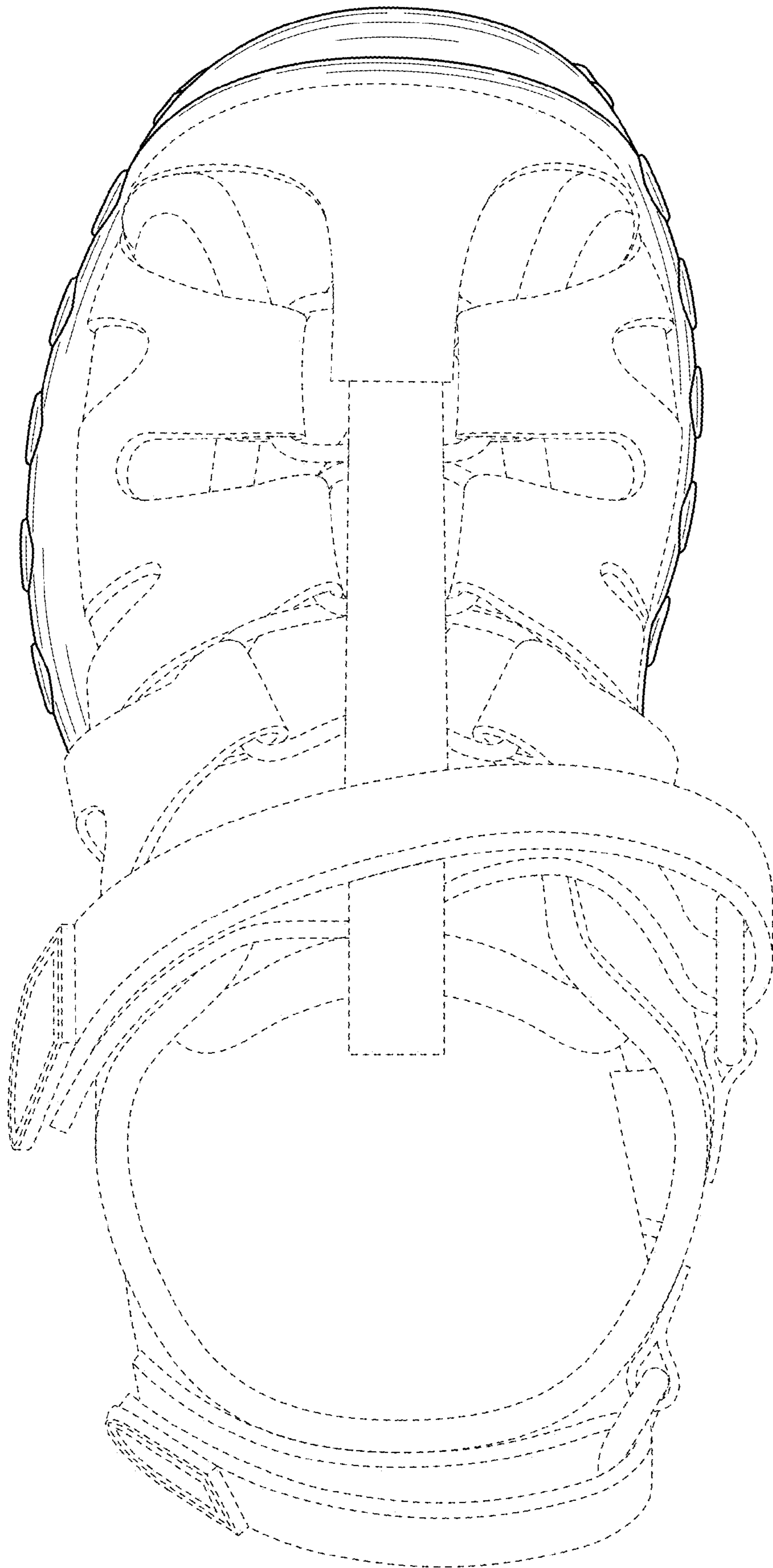


FIG. 7

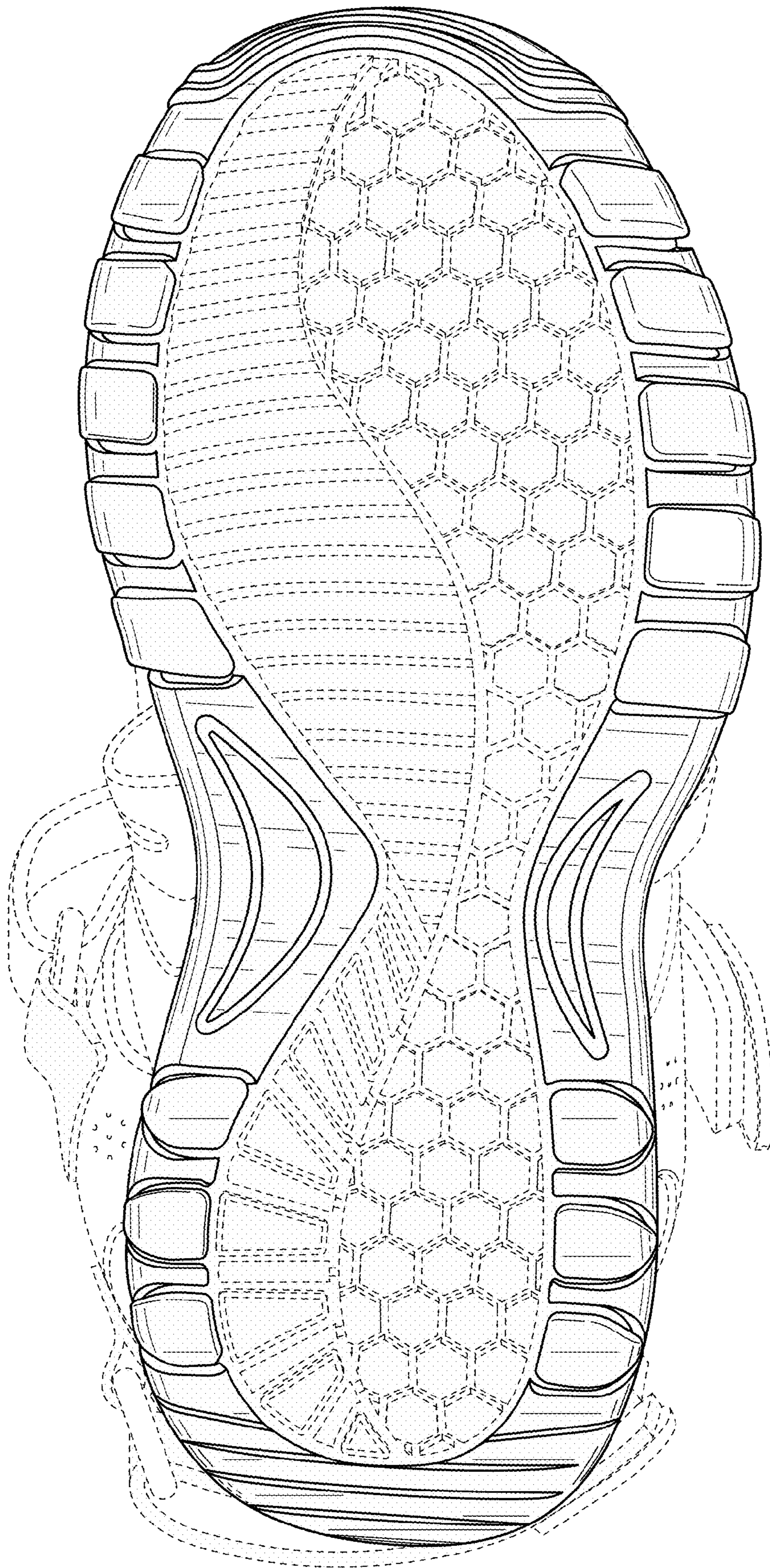


FIG. 8