



US00D988654S

(12) **United States Design Patent**
Chedel

(10) **Patent No.:** **US D988,654 S**
(45) **Date of Patent:** **** Jun. 13, 2023**

(54) **SHOE**
(71) Applicant: **NIKE, Inc.**, Beaverton, OR (US)
(72) Inventor: **Marina Chedel**, Portland, OR (US)
(73) Assignee: **NIKE, Inc.**, Beaverton, OR (US)
(**) Term: **15 Years**
(21) Appl. No.: **29/808,340**

D802,291 S * 11/2017 Petrenka D2/975
D809,770 S * 2/2018 Hardman
D847,473 S * 5/2019 Negri D2/975
D848,726 S * 5/2019 Mahoney D2/975
D905,422 S * 12/2020 Rauner D2/975
D919,943 S * 5/2021 Zhang D2/975
D925,899 S * 7/2021 Little
D927,149 S * 8/2021 Eckhaus D2/919
D929,113 S * 8/2021 Winfield D2/907
D951,606 S * 5/2022 Lin D2/919
D953,707 S * 6/2022 Lin D2/975

(Continued)

(22) Filed: **Sep. 17, 2021**
(51) **LOC (14) Cl.** **02-04**
(52) **U.S. Cl.**
USPC **D2/969**; D2/916
(58) **Field of Classification Search**
USPC D2/902, 907-908, 916, 943-945, 947,
D2/969, 972-975; D21/772; D29/121.2
CPC A43B 23/20; A43B 23/24; A43B 5/06;
A43C 13/14; A43C 7/00
See application file for complete search history.

OTHER PUBLICATIONS

“Nike Imagines Asuna Slides in “Light Lemon Twist” and “Total Crimson” Colorsways”; Hypebeast; retrieved Sep. 15, 2021; published Aug. 3, 2020; URL: <<https://hypebeast.com/2020/8/nike-asuna-slide-light-lemon-twist-dh0151-700-total-crimson-dh0151-800-release>>.

(Continued)

(56) **References Cited**

U.S. PATENT DOCUMENTS

D239,343 S * 3/1976 Pankin D2/975
D305,178 S * 12/1989 Tonkel D2/975
D377,410 S * 1/1997 Crowley D2/975
D385,998 S * 11/1997 Clegg D2/975
D431,713 S * 10/2000 Wilson D2/903
D439,734 S * 4/2001 Wilson D2/969
D446,000 S * 8/2001 Price D2/907
D460,855 S * 7/2002 Belley D2/916
D467,063 S * 12/2002 Chen D2/974
D472,041 S * 3/2003 Kuerbis D2/975
D479,039 S * 9/2003 Eidsgaard D2/969
D514,792 S * 2/2006 Ardissono D2/969
D530,062 S * 10/2006 Schoenborn D2/916
D614,853 S * 5/2010 Warren D2/975
D622,057 S * 8/2010 Warren D2/975
D766,565 S * 9/2016 Hatfield D2/903

Primary Examiner — Karen E Kearney
Assistant Examiner — Clare Ann Gannon
(74) *Attorney, Agent, or Firm* — Banner & Witcoff, Ltd.

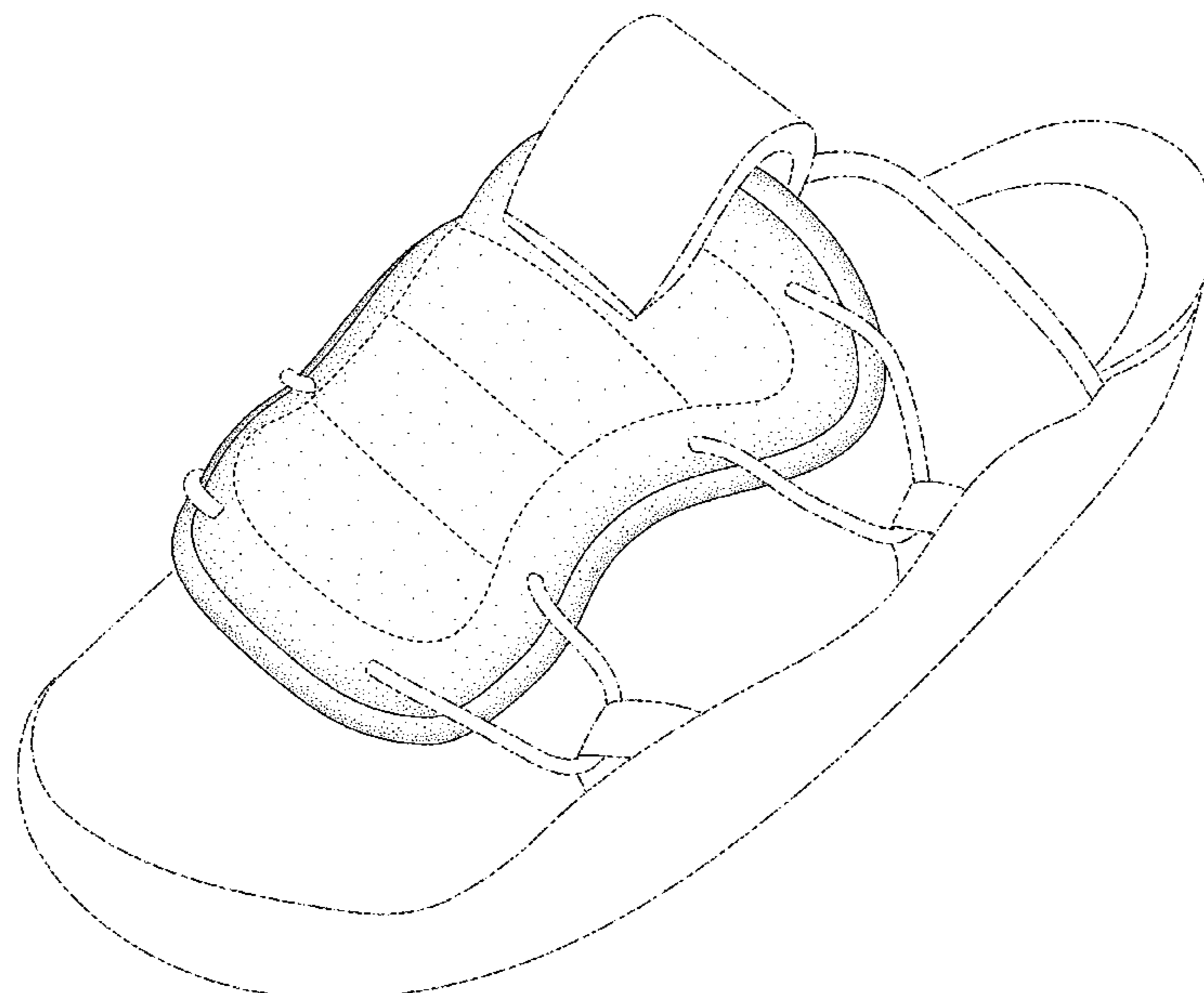
(57) **CLAIM**

The ornamental design for a shoe, as shown and described.

DESCRIPTION

FIG. 1 is a front perspective view of a shoe showing my new design;
FIG. 2 is a side view thereof;
FIG. 3 is an opposite side front perspective view thereof;
FIG. 4 is an opposite side view thereof; and,
FIG. 5 is a front view thereof.
The even-length broken lines represent stitching that forms no part of the claimed design. The broken lines depicting the remainder of the shoe form no part of the claimed design.

1 Claim, 5 Drawing Sheets



(56)

References Cited

U.S. PATENT DOCUMENTS

D958,516 S * 7/2022 Little D2/969
D968,798 S * 11/2022 Young D2/907
D972,277 S * 12/2022 Bidal D2/907

OTHER PUBLICATIONS

“Nike’s Comfy Offline Slide is Coming in Stone Mauve”; SneakerNews;
retrieved Sep. 15, 2021; published Dec. 8, 2020; URL: <<https://sneakernews.com/2020/12/08/nike-offline-cj0693-200/>>.

“A Sequel Slide Emerges in the Nike Offline 2.0”; SneakerNews;
retrieved Sep. 15, 2021; published May 6, 2021; URL: <<https://sneakernews.com/2021/05/06/nike-offline-2-cz0332-002-release-info/>>.

* cited by examiner

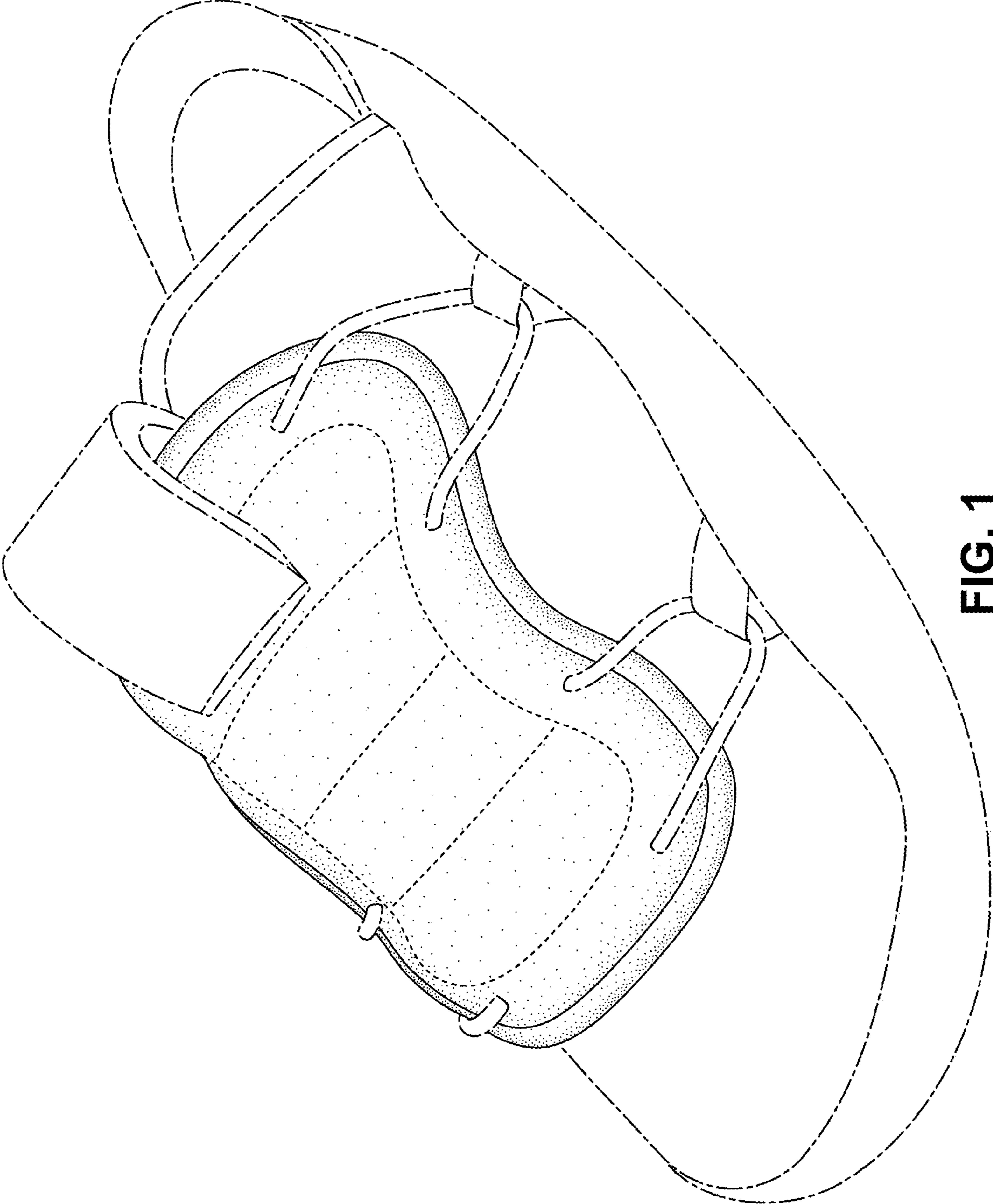


FIG. 1

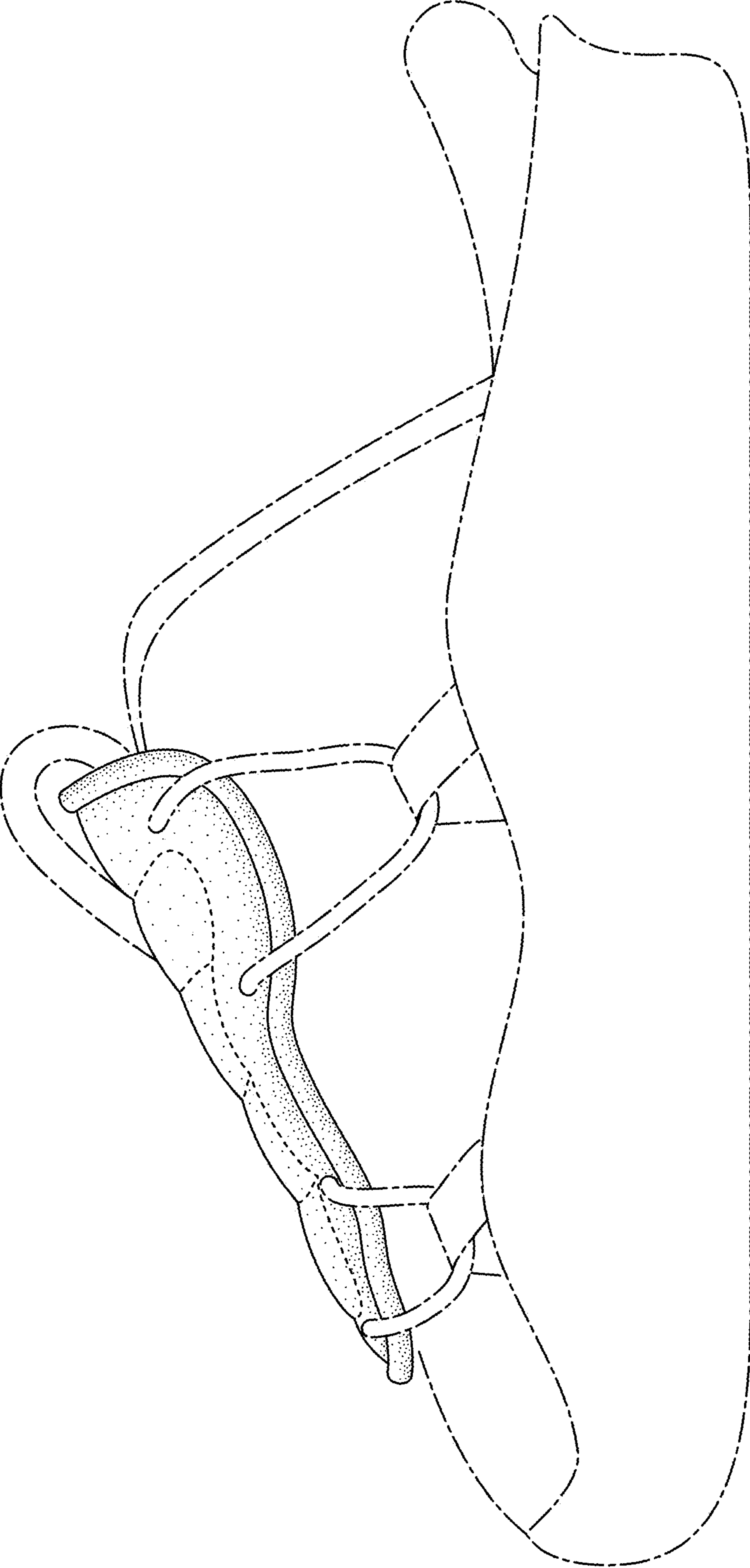


FIG. 2

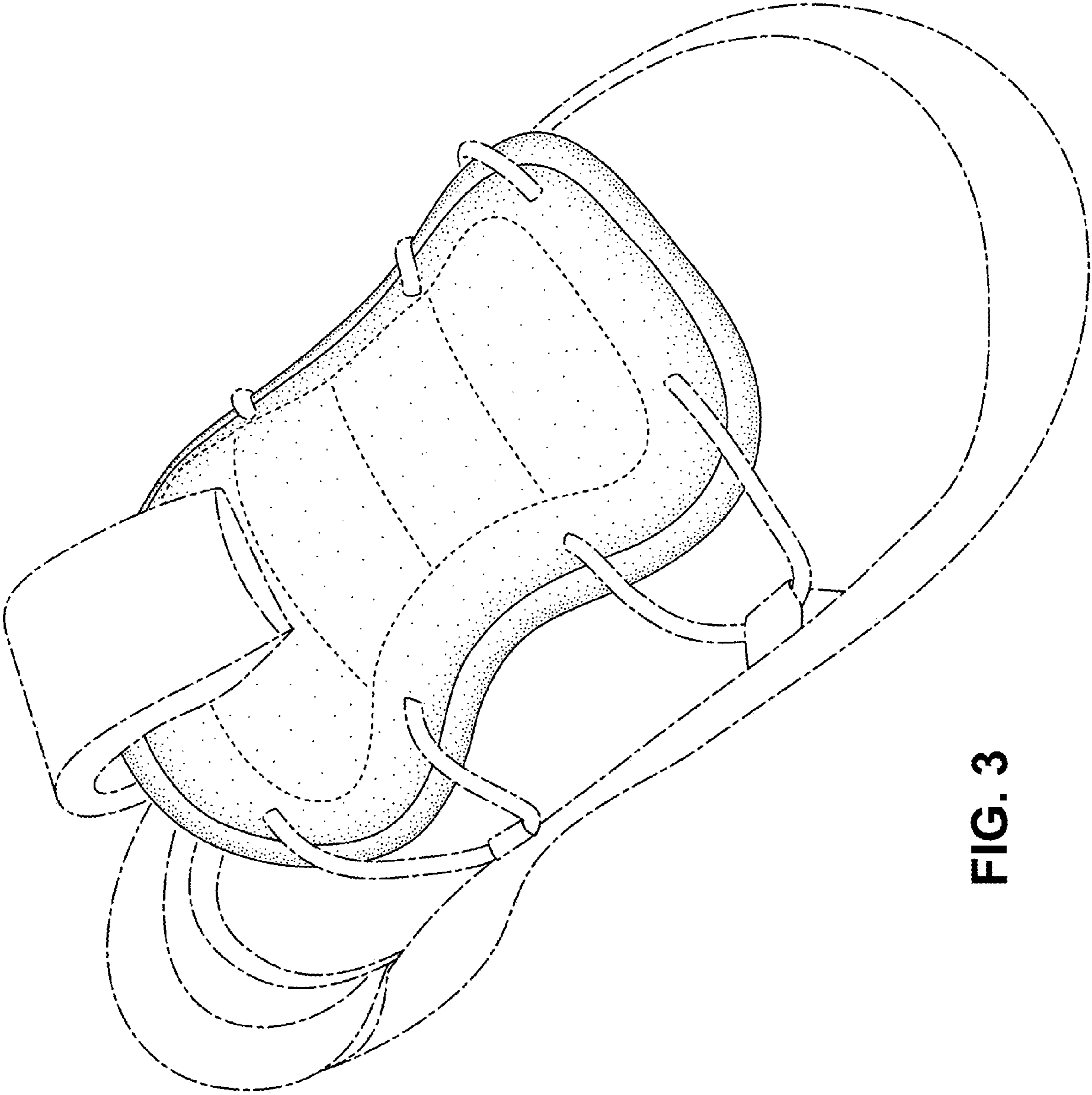


FIG. 3

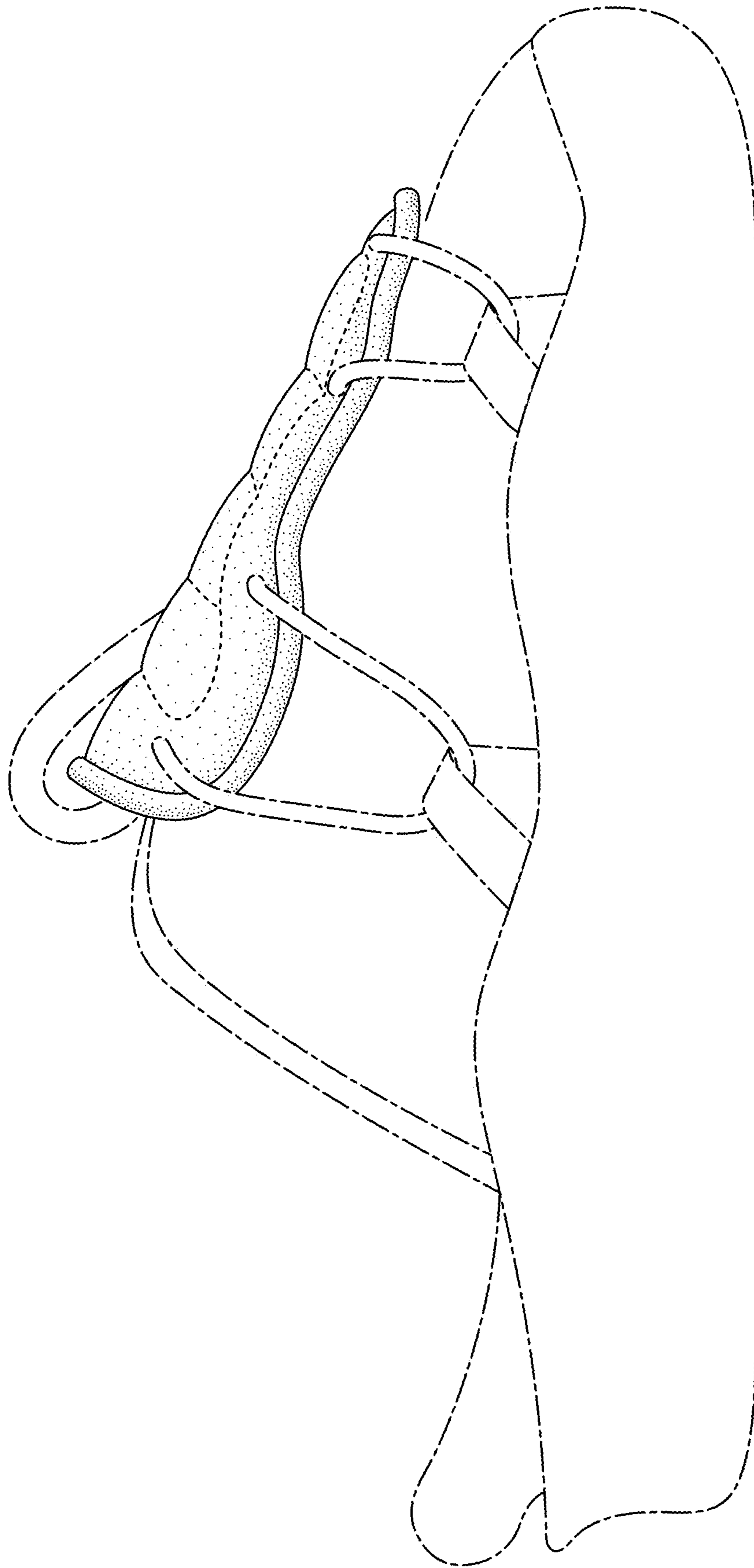


FIG. 4

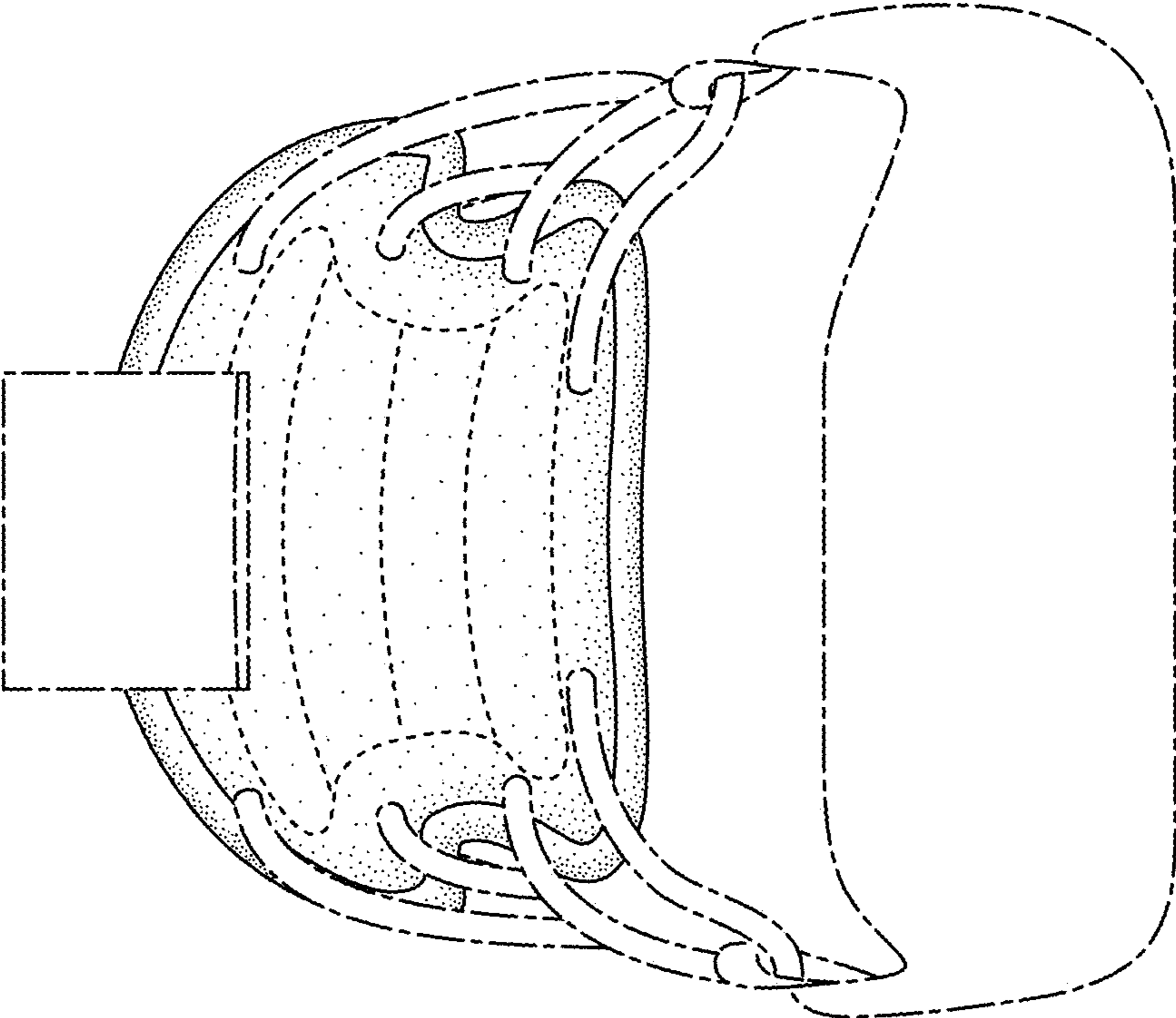


FIG. 5