



US00D988648S

(12) **United States Design Patent** (10) **Patent No.:** **US D988,648 S**
Foust (45) **Date of Patent:** **** Jun. 13, 2023**

(54) **BOOT**

(71) Applicant: **LaCrosse Footwear, Inc.**, Portland, OR (US)

(72) Inventor: **Ryan James Foust**, Portland, WA (US)

(73) Assignee: **LaCrosse Footwear, Inc.**, Portland, OR (US)

(**) Term: **15 Years**

(21) Appl. No.: **29/820,833**

(22) Filed: **Dec. 23, 2021**

Related U.S. Application Data

(63) Continuation of application No. 29/764,912, filed on Jan. 4, 2021, now Pat. No. Des. 940,439, which is a continuation of application No. 29/744,156, filed on Jul. 27, 2020, now Pat. No. Des. 907,912, which is a continuation of application No. 29/707,748, filed on Sep. 30, 2019, now Pat. No. Des. 891,043, which is a continuation of application No. 29/675,695, filed on Jan. 4, 2019, now Pat. No. Des. 862,850, which is a continuation of application No. 29/595,882, filed on Mar. 2, 2017, now Pat. No. Des. 839,578, which is a continuation of application No. 29/542,644, filed on Oct. 15, 2015, now Pat. No. Des. 781,030.

(51) **LOC (14) Cl.** **02-04**

(52) **U.S. Cl.**
USPC **D2/910; D2/970**

(58) **Field of Classification Search**
USPC D2/896-900, 909-915, 943-946, D2/969-974, 999
CPC A43B 3/02; A43B 5/00-06; A43B 3/08; A43B 23/00; A43B 23/02; A43B 3/16
See application file for complete search history.

(56) **References Cited**

U.S. PATENT DOCUMENTS

D48,627 S	2/1916	Clark
2,147,197 A	2/1939	Glidden
2,200,333 A	5/1940	Herzog et al.
2,465,911 A	3/1949	Morgan
3,091,871 A	6/1963	Roger
3,237,319 A	3/1966	Wade
D205,181 S	7/1966	Vise
3,325,919 A	6/1967	Leon
3,343,223 A	9/1967	Herbert
3,362,091 A	1/1968	Vittorio
3,377,721 A	4/1968	Johnson
3,407,406 A	10/1968	Werner et al.
3,444,572 A	5/1969	Broughton

(Continued)

FOREIGN PATENT DOCUMENTS

WO 2013081980 A1 6/2013

OTHER PUBLICATIONS

International Search Report and Written Opinion, PCT Application No. PCT/US2012/066559, dated Feb. 8, 2013, 12 pages.

Primary Examiner — Rashida C. Walshon
(74) *Attorney, Agent, or Firm* — Perkins Coie LLP

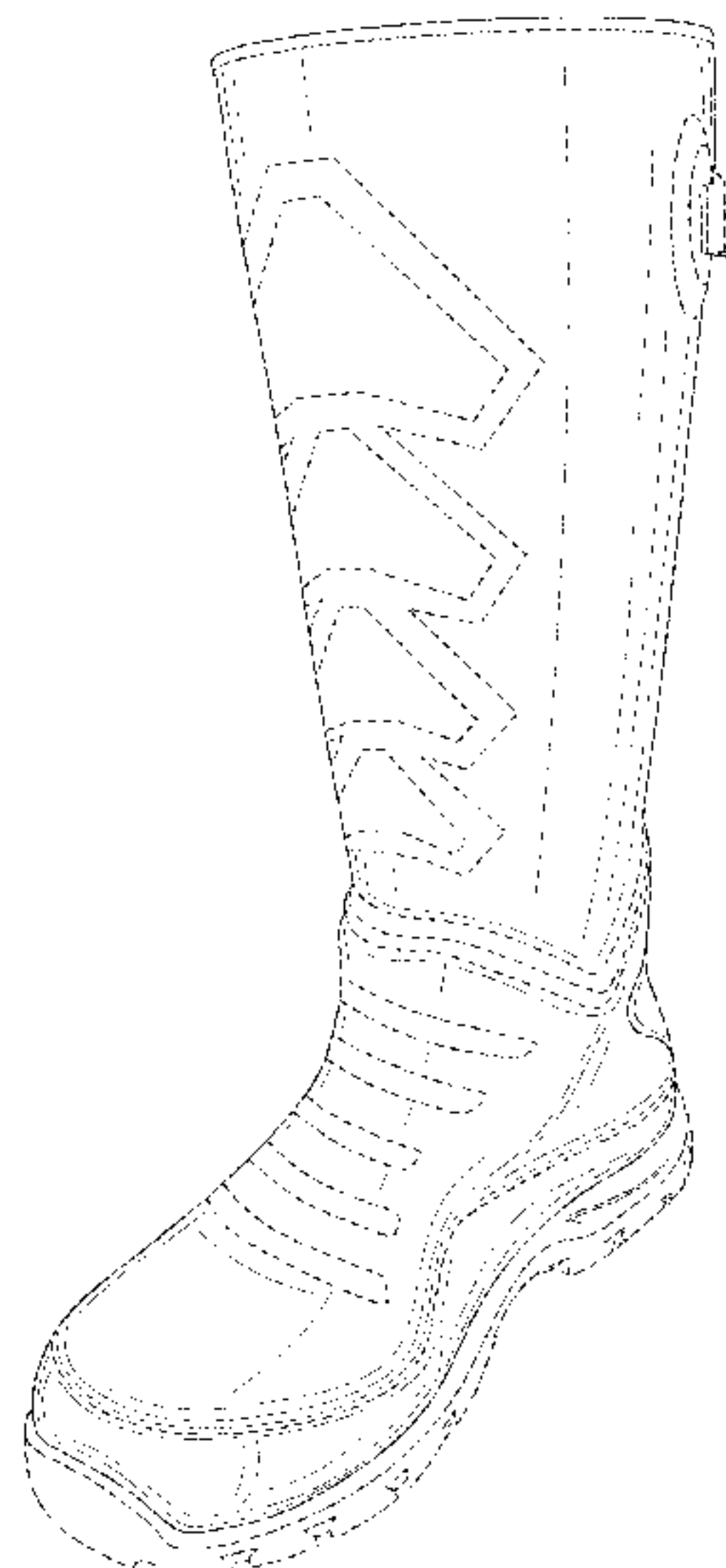
(57) **CLAIM**

The ornamental design for a boot, as shown and described.

DESCRIPTION

FIG. 1 is an isometric view of a boot showing our new design.
FIG. 2 is a front elevational view thereof.
FIG. 3 is a rear elevational view thereof.
FIG. 4 is a right-side elevational view thereof.
FIG. 5 is a left-side elevational view thereof.
FIG. 6 is a top plan view thereof; and,
FIG. 7 is a bottom plan view thereof.
The broken lines in the drawings represent portions of the boot that form no part of the claim.

1 Claim, 6 Drawing Sheets



(56)

References Cited

U.S. PATENT DOCUMENTS

3,541,646 A 11/1970 Baudou
 3,581,412 A 6/1971 Dalebout
 3,640,003 A 2/1972 Anderson
 3,718,994 A 3/1973 Spier
 3,744,161 A 7/1973 Herunter
 3,786,580 A 1/1974 Dalebout
 3,798,799 A 3/1974 Hanson et al.
 3,807,062 A 4/1974 Spier
 3,823,493 A 7/1974 Brehm et al.
 3,834,044 A 9/1974 McAusland et al.
 3,876,746 A 4/1975 Hanson
 3,882,561 A 5/1975 Hanson et al.
 3,896,202 A 7/1975 Palau
 3,921,313 A 11/1975 Mahide et al.
 D239,341 S 3/1976 Heckel
 3,958,291 A 5/1976 Spier
 3,975,840 A 8/1976 Juzenko
 4,120,064 A 10/1978 Salomon
 4,150,455 A 4/1979 Fukuoka
 4,182,056 A 1/1980 Dalebout
 4,184,273 A 1/1980 Boyer et al.
 4,245,406 A 1/1981 Landay et al.
 4,266,314 A 5/1981 Londner
 4,268,931 A 5/1981 Salomon
 4,301,564 A 11/1981 Dalebout
 4,333,192 A 6/1982 Stockli et al.
 4,366,629 A 1/1983 Scherz
 4,384,413 A 5/1983 Bourque
 4,414,762 A 11/1983 Salomon et al.
 4,562,834 A 1/1986 Bates et al.
 4,563,825 A 1/1986 Tesser
 D282,599 S 2/1986 Frey
 4,587,749 A 5/1986 Berlese
 4,693,021 A 9/1987 Mazzarolo
 4,778,145 A 10/1988 Savori et al.
 4,778,368 A 10/1988 Rebers et al.
 4,837,884 A 6/1989 Hilgarth
 D303,037 S 8/1989 Kushitani
 D304,125 S 10/1989 Kushitani
 4,897,939 A 2/1990 Harrington
 4,910,889 A 3/1990 Bonaventure et al.
 D315,823 S 4/1991 Signori
 5,067,257 A 11/1991 Coomer
 5,106,445 A 4/1992 Fukuoka
 5,249,375 A * 10/1993 Tabarly A43B 7/12
 36/4
 D345,044 S * 3/1994 Mudd D2/911
 5,396,717 A 3/1995 Bell
 5,595,518 A 1/1997 Ours
 5,647,150 A 7/1997 Romanato et al.
 5,738,937 A 4/1998 Baychar
 5,765,297 A 6/1998 Cooper et al.
 5,806,211 A 9/1998 Pozzobon
 5,885,500 A 3/1999 Tawney et al.
 6,102,412 A 8/2000 Staffaroni
 6,299,817 B1 10/2001 Parkinson
 6,558,784 B1 5/2003 Norton et al.
 D475,841 S 6/2003 Cook
 D479,903 S 9/2003 Mazzarolo
 D484,298 S 12/2003 Navatier
 6,729,048 B1 5/2004 Grandin et al.
 D495,471 S 9/2004 Mazzarolo
 D498,908 S 11/2004 Gebhardt et al.
 D515,788 S 2/2006 Mazzarolo
 D520,219 S 5/2006 Mazzarolo

D526,116 S * 8/2006 Corbi Rico D2/970
 D544,682 S * 6/2007 Belley D2/970
 D547,046 S 7/2007 Belley et al.
 D548,444 S 8/2007 Covatch
 7,316,083 B2 1/2008 Labonte
 D566,955 S * 4/2008 Belley D2/970
 7,350,321 B2 4/2008 Soon et al.
 D574,600 S * 8/2008 St-Louis D2/970
 D579,646 S * 11/2008 Andersen A43B 7/12
 D2/970
 D579,648 S 11/2008 Mcdowell
 D622,487 S 8/2010 McCarron et al.
 D624,295 S 9/2010 McCarron
 7,875,229 B2 1/2011 Wright et al.
 D638,214 S * 5/2011 Blakeslee D2/910
 D658,359 S 5/2012 Spring
 D670,071 S 11/2012 Meyer et al.
 8,361,369 B1 1/2013 Cook et al.
 D701,374 S 3/2014 Feller et al.
 8,662,875 B2 3/2014 Lim et al.
 D704,928 S 5/2014 Roundhouse
 D711,086 S 8/2014 Anderson et al.
 D712,638 S 9/2014 Barker et al.
 D722,761 S 2/2015 Monroy
 8,984,776 B2 3/2015 Ludemann et al.
 D727,004 S 4/2015 Roundhouse
 9,021,723 B2 5/2015 Meyer et al.
 D732,805 S 6/2015 Bruder
 9,204,685 B2 12/2015 Ludemann et al.
 D747,078 S 1/2016 Feller et al.
 D769,588 S 10/2016 Barker et al.
 D781,030 S 3/2017 Foust
 D782,166 S 3/2017 Feller et al.
 9,615,625 B1 4/2017 Huard et al.
 9,642,416 B2 5/2017 Ludemann et al.
 D795,554 S 8/2017 Barker
 D798,031 S 9/2017 Benetti
 D803,526 S 11/2017 Barker et al.
 D838,456 S 1/2019 Barker
 D838,946 S 1/2019 Barker et al.
 D839,578 S 2/2019 Foust
 D839,580 S 2/2019 Dowd et al.
 10,327,501 B2 6/2019 Ludemann et al.
 D853,692 S * 7/2019 Smith D2/911
 D862,848 S 10/2019 Barker
 D862,850 S 10/2019 Foust
 D862,851 S * 10/2019 Dowd D2/910
 D873,540 S 1/2020 Crawford
 D874,100 S 2/2020 Barker et al.
 D891,043 S 7/2020 Foust
 D895,235 S 9/2020 Barker et al.
 D895,252 S 9/2020 Barker
 10,849,385 B2 12/2020 Ludemann et al.
 D907,912 S 1/2021 Foust
 10,912,347 B2 2/2021 Ludemann et al.
 D959,812 S * 8/2022 Ledbetter D2/910
 2002/0012784 A1 1/2002 Norton et al.
 2004/0020077 A1 2/2004 Thomas et al.
 2007/0039210 A1 2/2007 Clark et al.
 2009/0158621 A1 6/2009 Yamamoto
 2010/0050470 A1 3/2010 Hubner
 2010/0229429 A1 9/2010 Longuet
 2011/0078924 A1 4/2011 Rackiewicz et al.
 2013/0133227 A1 5/2013 Yu
 2013/0133229 A1 5/2013 Ludemann et al.
 2013/0219752 A1 8/2013 Dombrow et al.
 2020/0029651 A1 1/2020 Ludemann et al.

* cited by examiner



Fig. 1

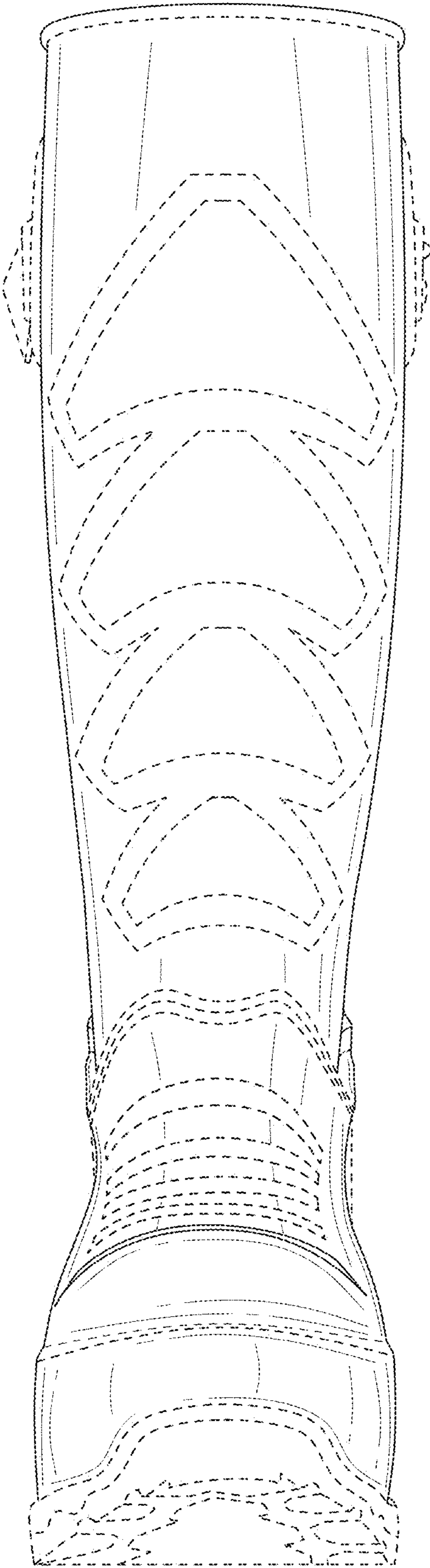


Fig. 2

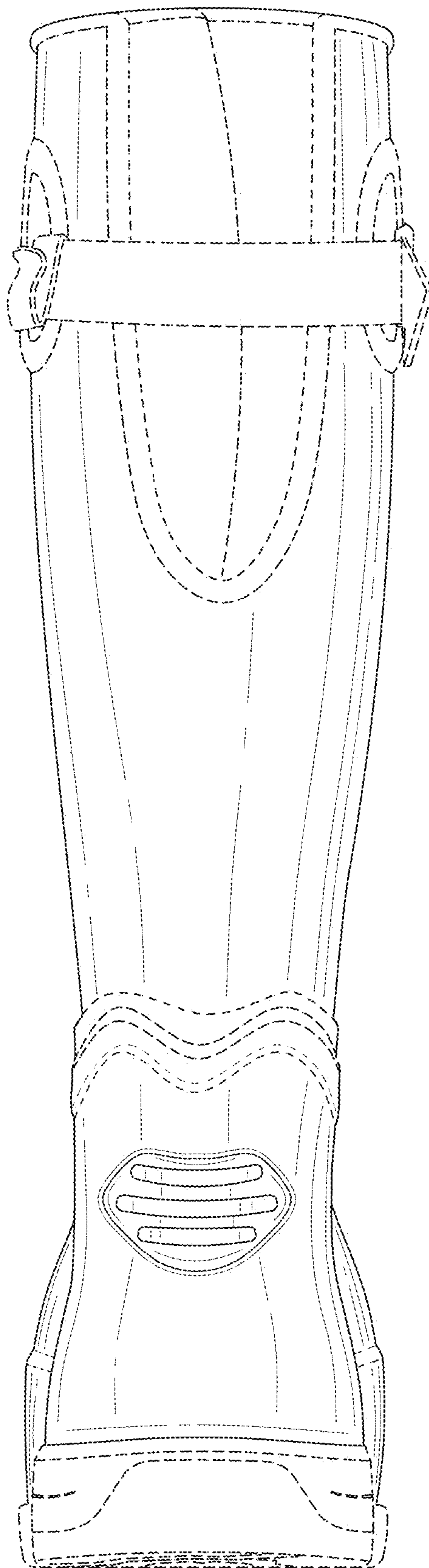


Fig. 3



Fig. 4



Fig. 5

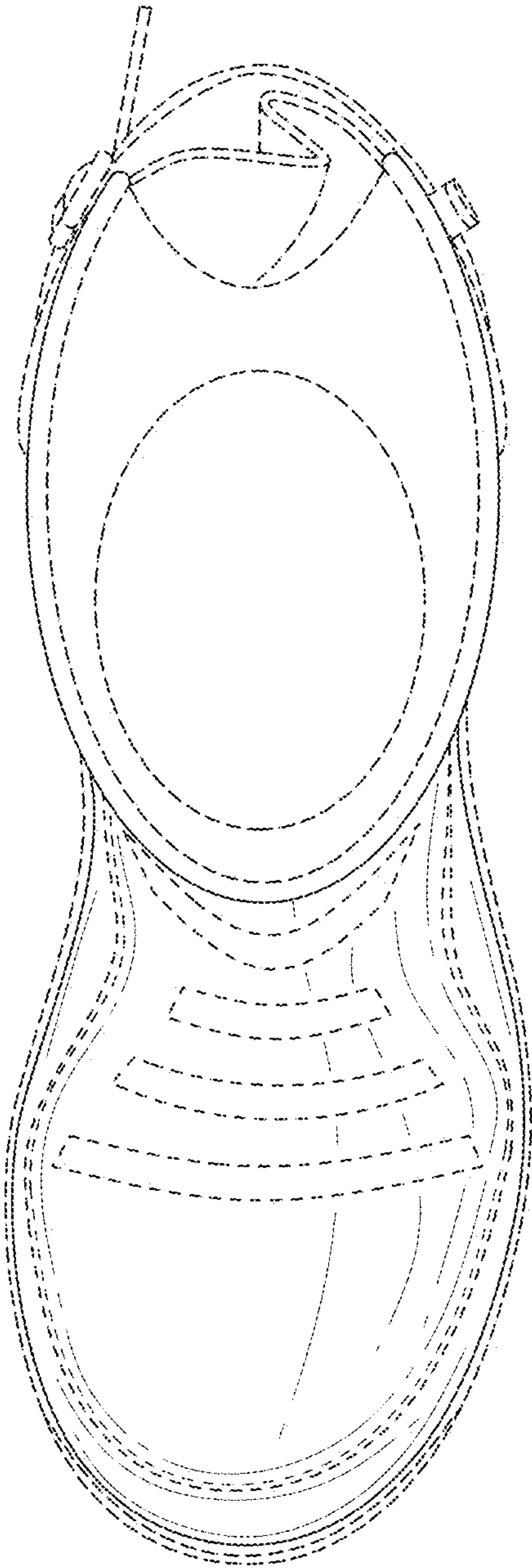


Fig. 6

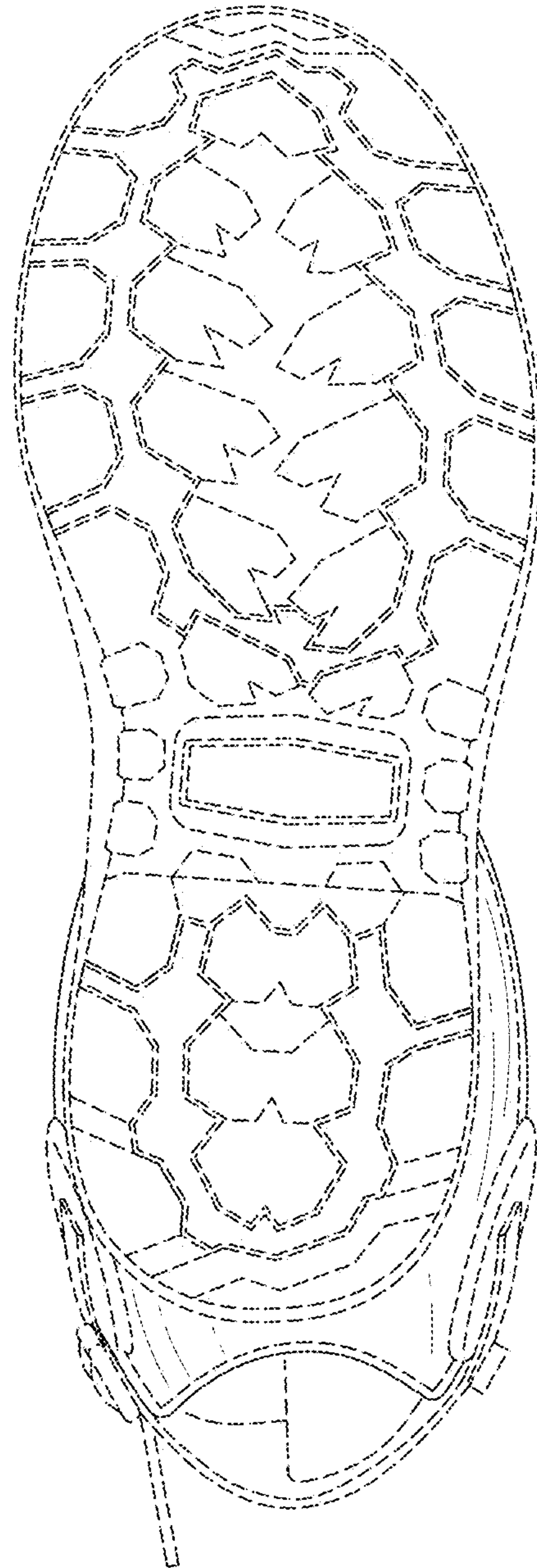


Fig. 7