



US00D988641S

(12) **United States Design Patent** (10) **Patent No.:** **US D988,641 S**  
**Leach** (45) **Date of Patent:** **\*\* Jun. 13, 2023**

(54) **SKIRT**  
(71) Applicant: **Archie Murray Leach**, London (CA)  
(72) Inventor: **Archie Murray Leach**, London (CA)  
(\*\*) Term: **15 Years**

2005/0091728 A1\* 5/2005 Rocha ..... A41D 1/06  
2/227  
2012/0131727 A1\* 5/2012 Chen ..... A41D 1/007  
2/211  
2015/0135407 A1\* 5/2015 Krishnan ..... A41D 1/06  
2/234  
2018/0255853 A1\* 9/2018 Spathas ..... B65D 33/00

(21) Appl. No.: **35/513,226**

**OTHER PUBLICATIONS**

(22) Filed: **Jun. 24, 2021**

CHARTOU Women's Sexy High Waist PU Leather Zipper Pack-  
aged Hip Mini Skirt, announced Nov. 6, 2020 [online], [site visited  
Jan. 14, 2023]. Available from internet, URL: <<https://www.amazon.com/CHARTOU-Womens-Leather-Zipper-Packaged/dp/B08MW372DF?th=1>> (Year: 2020).\*

(80) **Hague Agreement Data**

Int. Filing Date: **Jun. 24, 2021**  
Int. Reg. No.: **DM/215231**  
Int. Reg. Date: **Jun. 24, 2021**  
Int. Reg. Pub. Date: **Dec. 24, 2021**

\* cited by examiner

(51) **LOC (14) Cl.** ..... **02-02**

*Primary Examiner* — Kevin K Rudzinski

(52) **U.S. Cl.**  
USPC ..... **D2/851**

*Assistant Examiner* — Amber J Rabie

(58) **Field of Classification Search**  
USPC ..... D2/735, 752, 851, 853  
CPC ..... A41D 1/14  
See application file for complete search history.

(74) *Attorney, Agent, or Firm* — Brunet & Co. Ltd.;  
Robert Brunet; Hans Koenig

(56) **References Cited**

(57) **CLAIM**

**U.S. PATENT DOCUMENTS**

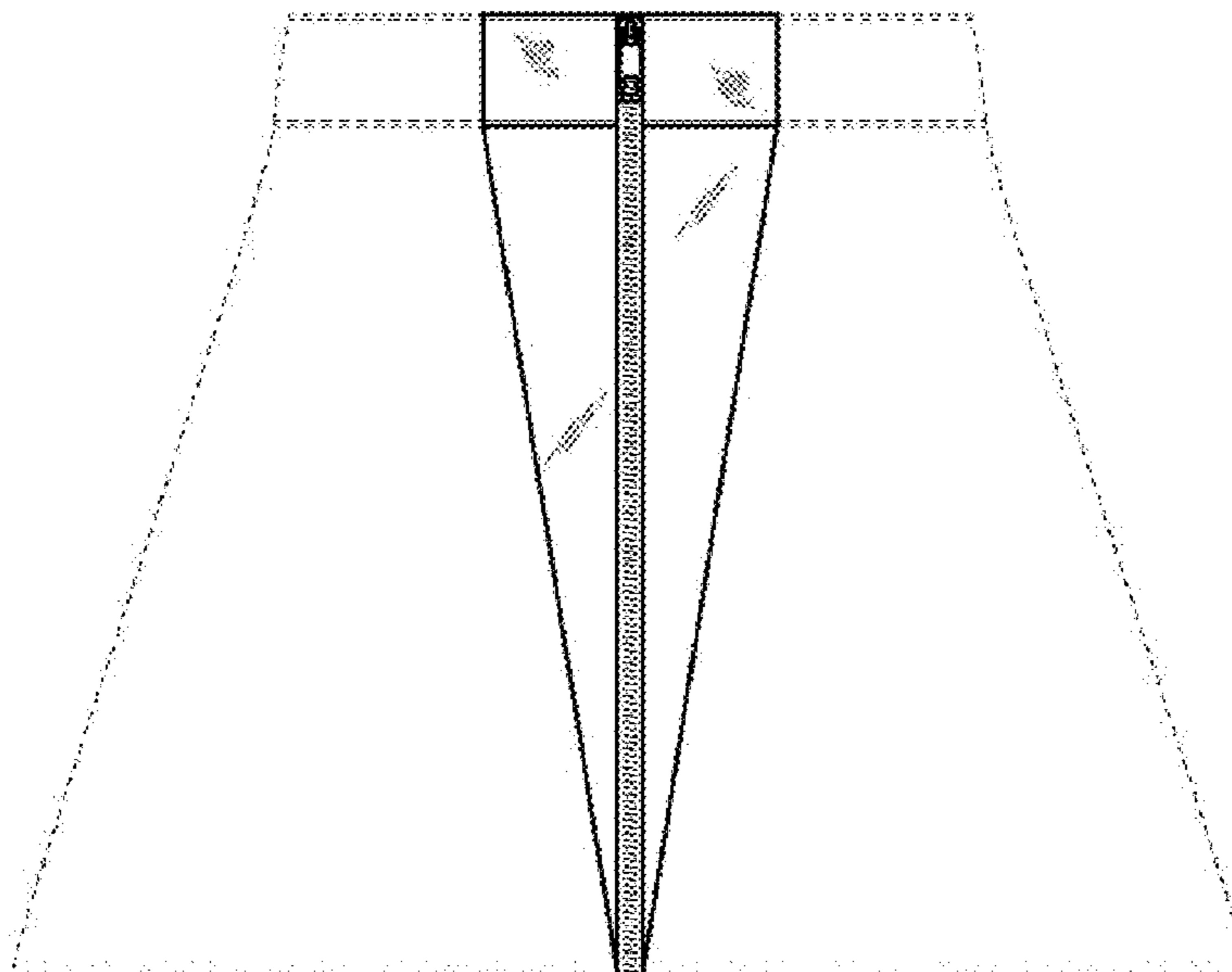
D132,643 S \* 6/1942 Stricker ..... D2/742  
4,578,828 A \* 4/1986 Smith, Sr. .... A41D 1/065  
2/408  
5,983,401 A \* 11/1999 Ohara ..... A41D 13/02  
2/234  
D430,385 S \* 9/2000 Hosogai ..... B65D 33/00  
D2/722  
7,926,122 B1\* 4/2011 Countryman ..... A41D 1/06  
2/234  
9,622,517 B2\* 4/2017 Hochman ..... A41D 1/065  
10,945,468 B1\* 3/2021 Hamilton ..... A41D 1/06  
D915,741 S \* 4/2021 Gonzalez ..... A41D 1/065  
D2/853

I claim the ornamental design for skirts, as shown and  
described.

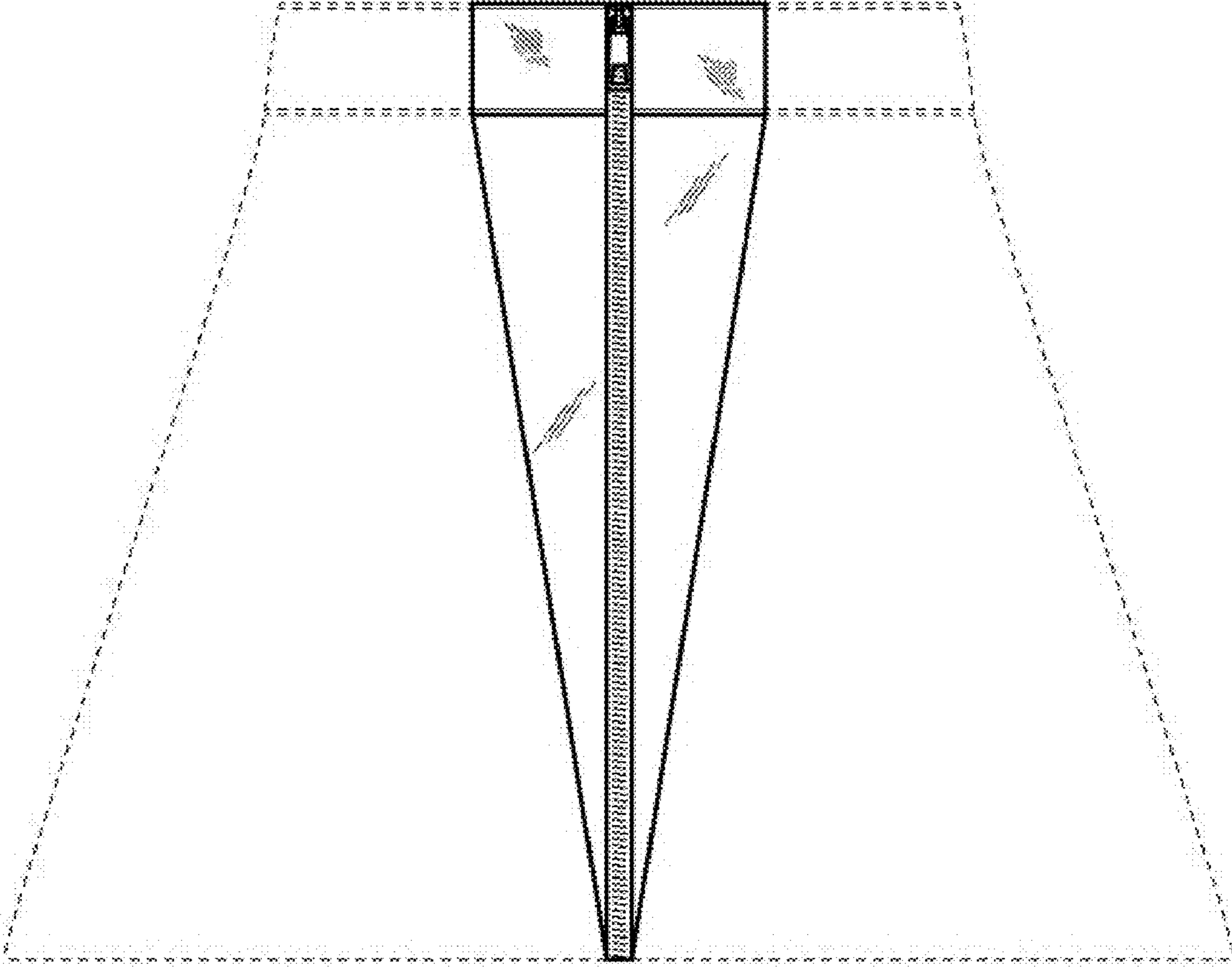
**DESCRIPTION**

1. Skirt  
Fig. 1.1 is a front view of a skirt showing my new design;  
Fig. 1.2 is a back view thereof;  
Fig. 1.3 is a right view thereof;  
Fig. 1.4 is a left view thereof;  
Fig. 1.5 is a top view thereof; and  
Fig. 1.6 is a bottom view thereof.  
The broken lines depict portions of the skirt that form no part  
of the claimed design.

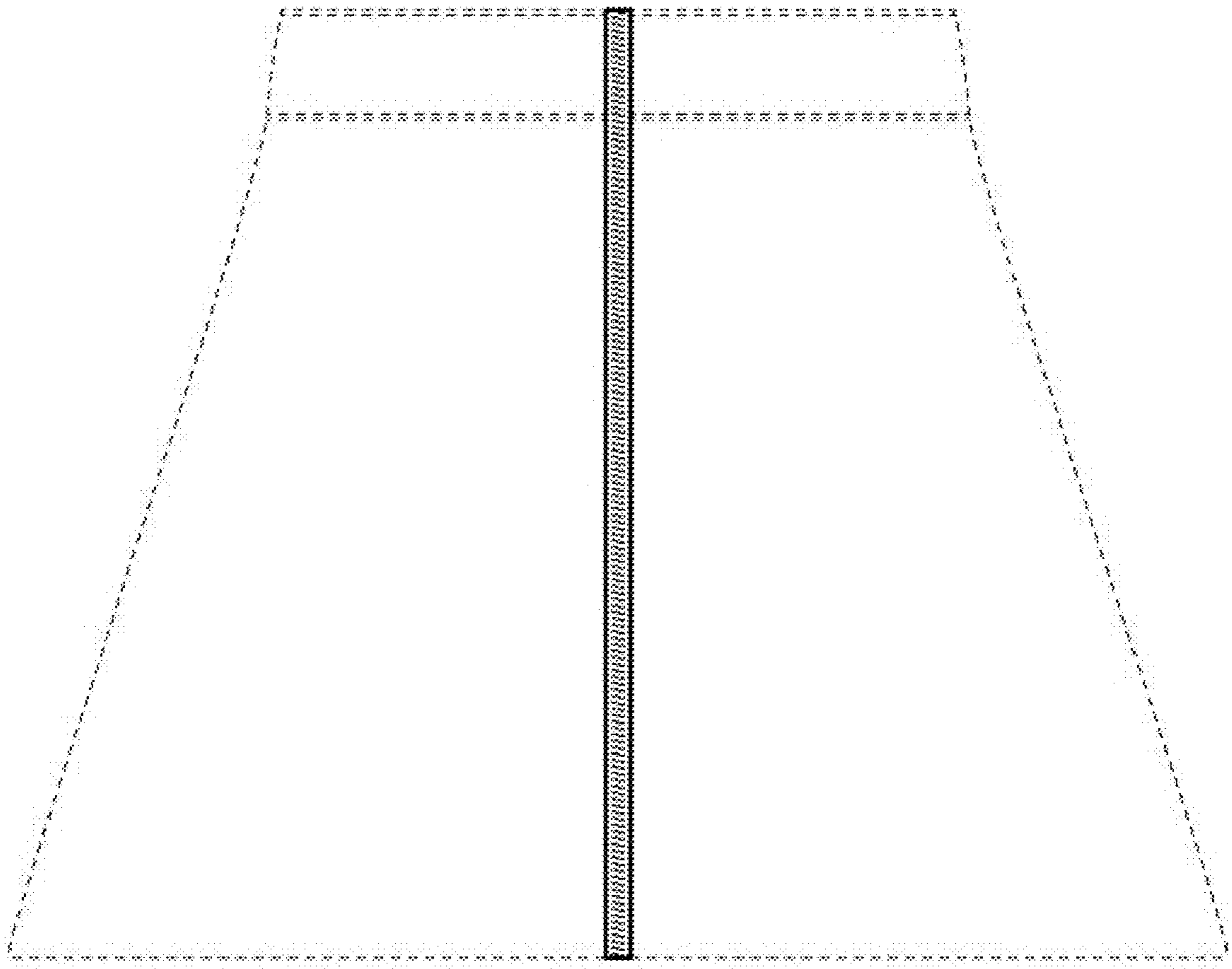
**1 Claim, 6 Drawing Sheets**



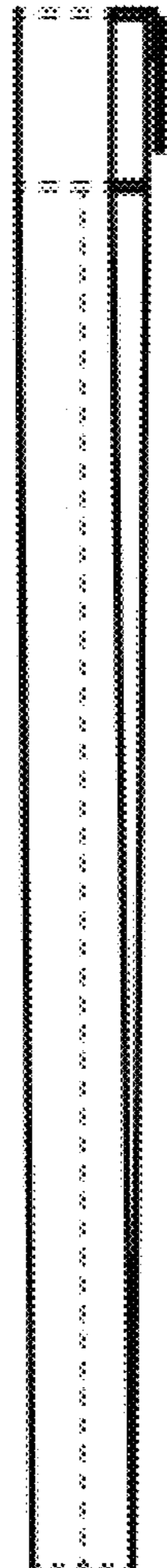
1.1



1.2



# 1.3



1.4



1.5



1.6

