



US00D988639S

(12) **United States Design Patent**
Squiers

(10) **Patent No.:** **US D988,639 S**
(45) **Date of Patent:** **** Jun. 13, 2023**

(54) **VEST**

DESCRIPTION

(71) Applicant: **Milwaukee Electric Tool Corporation,**
Brookfield, WI (US)

(72) Inventor: **Grant T. Squiers,** Cudahy, WI (US)

(73) Assignee: **Milwaukee Electric Tool Corporation,**
Brookfield, WI (US)

(**) Term: **15 Years**

(21) Appl. No.: **29/747,748**

(22) Filed: **Aug. 25, 2020**

(51) **LOC (14) Cl.** **02-02**

(52) **U.S. Cl.**
USPC **D2/829**

(58) **Field of Classification Search**
USPC D2/739, 828, 829

(Continued)

(56) **References Cited**

U.S. PATENT DOCUMENTS

D792,027 S * 7/2017 Gill D29/101.4
D877,419 S * 3/2020 Shi D29/101.4

(Continued)

OTHER PUBLICATIONS

Onyx Class 2 Surveyor's Safety Vest, posting date not available [online], [retrieved Sep. 29, 2022]. Retrieved from internet, <https://www.gsssafety.com/prod-21-1-11-19/onyx-class-2-surveyor-s-safety-vest.htm> (Year: 2022).*

(Continued)

Primary Examiner — Jonathan J Han

Assistant Examiner — Caitlin Mackenzie Williams

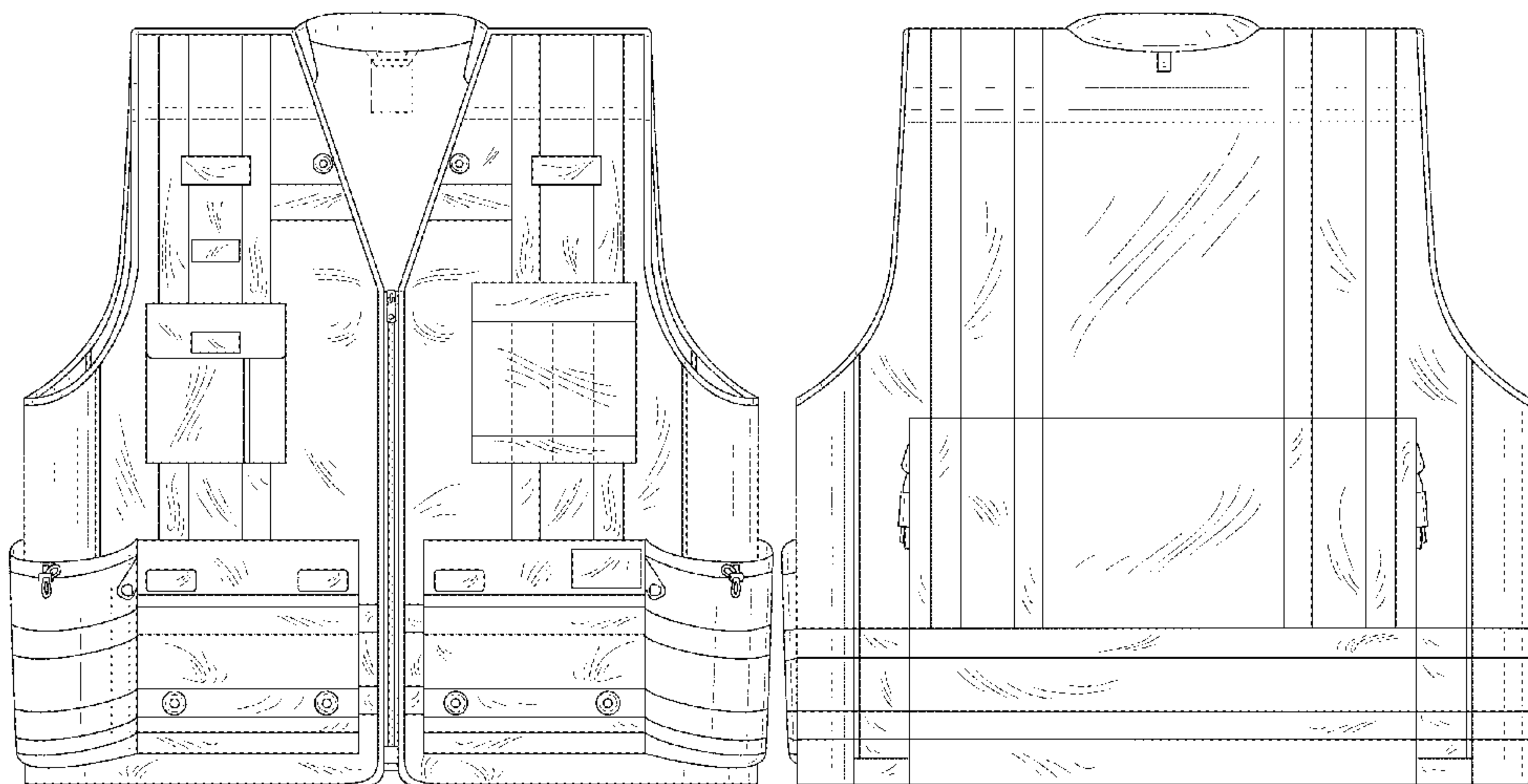
(74) *Attorney, Agent, or Firm* — Reinhart Boerner Van Deuren s.c.

(57) **CLAIM**

I claim the ornamental design for a vest, as shown and described.

FIG. 1 is a front perspective view from above of an embodiment of the claimed design;
FIG. 2 is a front view of the claimed design of FIG. 1;
FIG. 3 is a rear view of the claimed design of FIG. 1;
FIG. 4 is a left side view of the claimed design of FIG. 1;
FIG. 5 is a right side view of the claimed design of FIG. 1;
FIG. 6 is a top view of the claimed design of FIG. 1;
FIG. 7 is a bottom view of the claimed design of FIG. 1;
FIG. 8 is a front view of the claimed design of FIG. 1 when the embodiment is turned inside-out;
FIG. 9 is a back view of the claimed design of FIG. 1 when the embodiment is turned inside-out;
FIG. 10 is a front perspective view from above of an embodiment of the claimed design;
FIG. 11 is a front view of the claimed design of FIG. 10;
FIG. 12 is a rear view of the claimed design of FIG. 10;
FIG. 13 is a left side view of the claimed design of FIG. 10;
FIG. 14 is a right side view of the claimed design of FIG. 10;
FIG. 15 is a top view of the claimed design of FIG. 10;
FIG. 16 is a bottom view of the claimed design of FIG. 10;
FIG. 17 is a front view of the claimed design of FIG. 10 when the embodiment is turned inside-out;
FIG. 18 is a back view of the claimed design of FIG. 10 when the embodiment is turned inside-out;
FIG. 19 is a front perspective view from above of an embodiment of the claimed design;
FIG. 20 is a front view of the claimed design of FIG. 19;
FIG. 21 is a rear view of the claimed design of FIG. 19;
FIG. 22 is a left side view of the claimed design of FIG. 19;
FIG. 23 is a right side view of the claimed design of FIG. 19;
FIG. 24 is a top view of the claimed design of FIG. 19;
FIG. 25 is a bottom view of the claimed design of FIG. 19;
FIG. 26 is a front view of the claimed design of FIG. 19 when the embodiment is turned inside-out; and
FIG. 27 is a back view of the claimed design of FIG. 19 when the embodiment is turned inside-out.
The ornamental design which is claimed is shown in solid lines and dashed lines in the drawings. The dashed lines indicate stitching. The broken dot-dash lines indicate portions of the article which form no part of the claimed design.

1 Claim, 27 Drawing Sheets



(58) **Field of Classification Search**

CPC ... A41D 1/04; A41D 13/0012; A41D 13/0015
See application file for complete search history.

(56) **References Cited**

U.S. PATENT DOCUMENTS

D942,697	S	*	2/2022	Xu	D29/101.4
D948,130	S	*	4/2022	Shen	D29/101.4
D950,158	S	*	4/2022	Shen	D2/829
D961,162	S	*	8/2022	Shen	D29/101.1
D961,163	S	*	8/2022	Gill	D29/101.1

OTHER PUBLICATIONS

Radians SV55-2ZGD Type R Class 2 Heavy Duty Two-Tone Engineer Safety Vest, posting date not available [online], [retrieved Sep. 29, 2022]. Retrieved from internet, <https://www.fullsource.com/radians-sv55-2zgd/> (Year: 2022).*

Vero1992 Reflective Vest Class 2 Heavy Woven Two Tone Engineer Hi Viz Yellow Safety Vest, posting date not available [online], [retrieved Sep. 29, 2022]. Retrieved from internet, https://www.amazon.com/Vero1992-Reflective-Class-Engineer-Safety/dp/B07C3LMFC8/ref=sr_1_5 (Year: 2022).*

American National Standard for High-Visibility Safety Apparel And Accessories, International Safety Equipment Association, ANSI/ISEA 107-2015, purports to have been publicly available at least as early as Feb. 1, 2016, 51 pages.

High-visibility safety apparel, CSA Group, purports to have been publicly available at least as early as Nov. 2015, 54 pages.

* cited by examiner

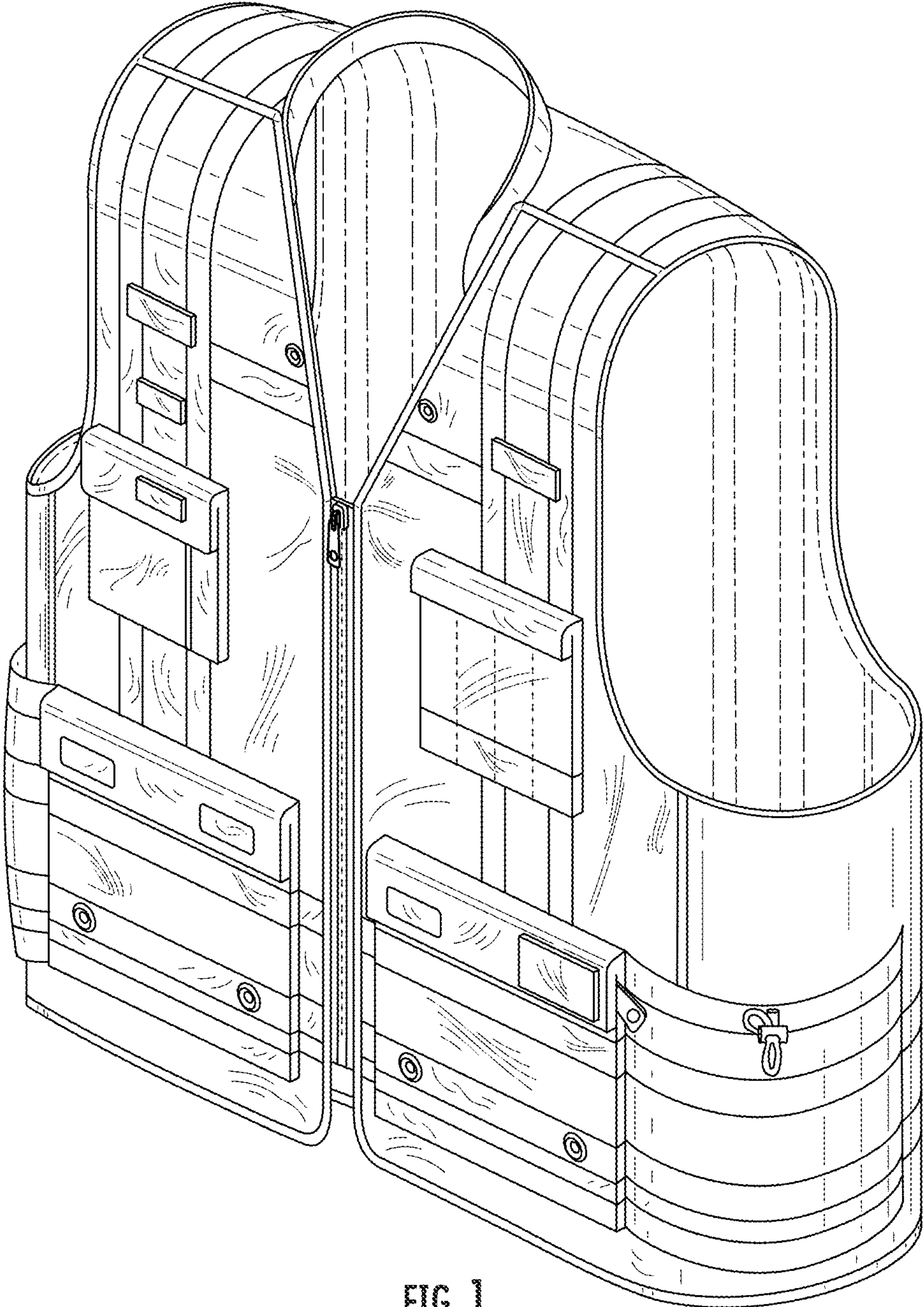


FIG. 1

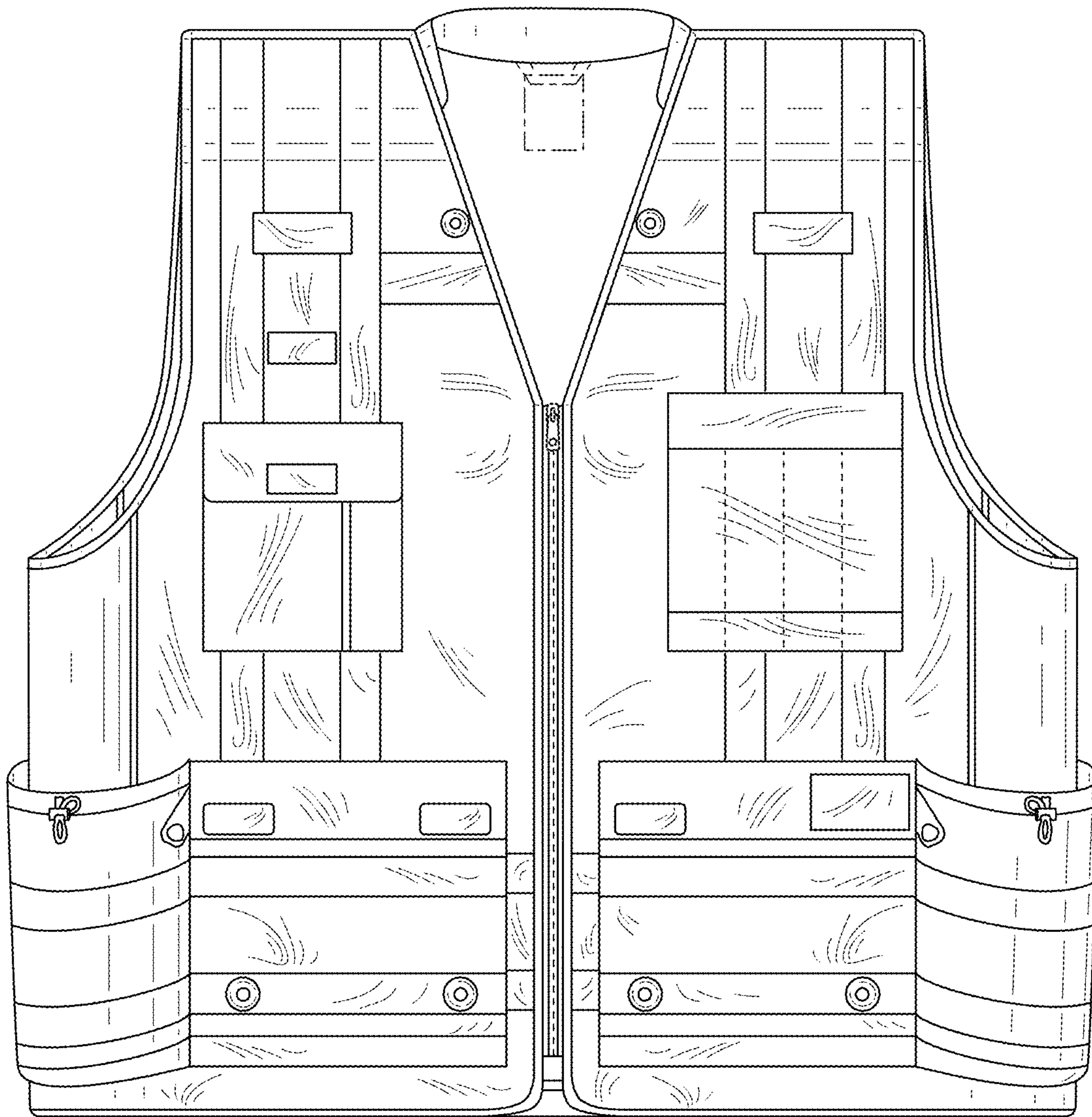


FIG. 2

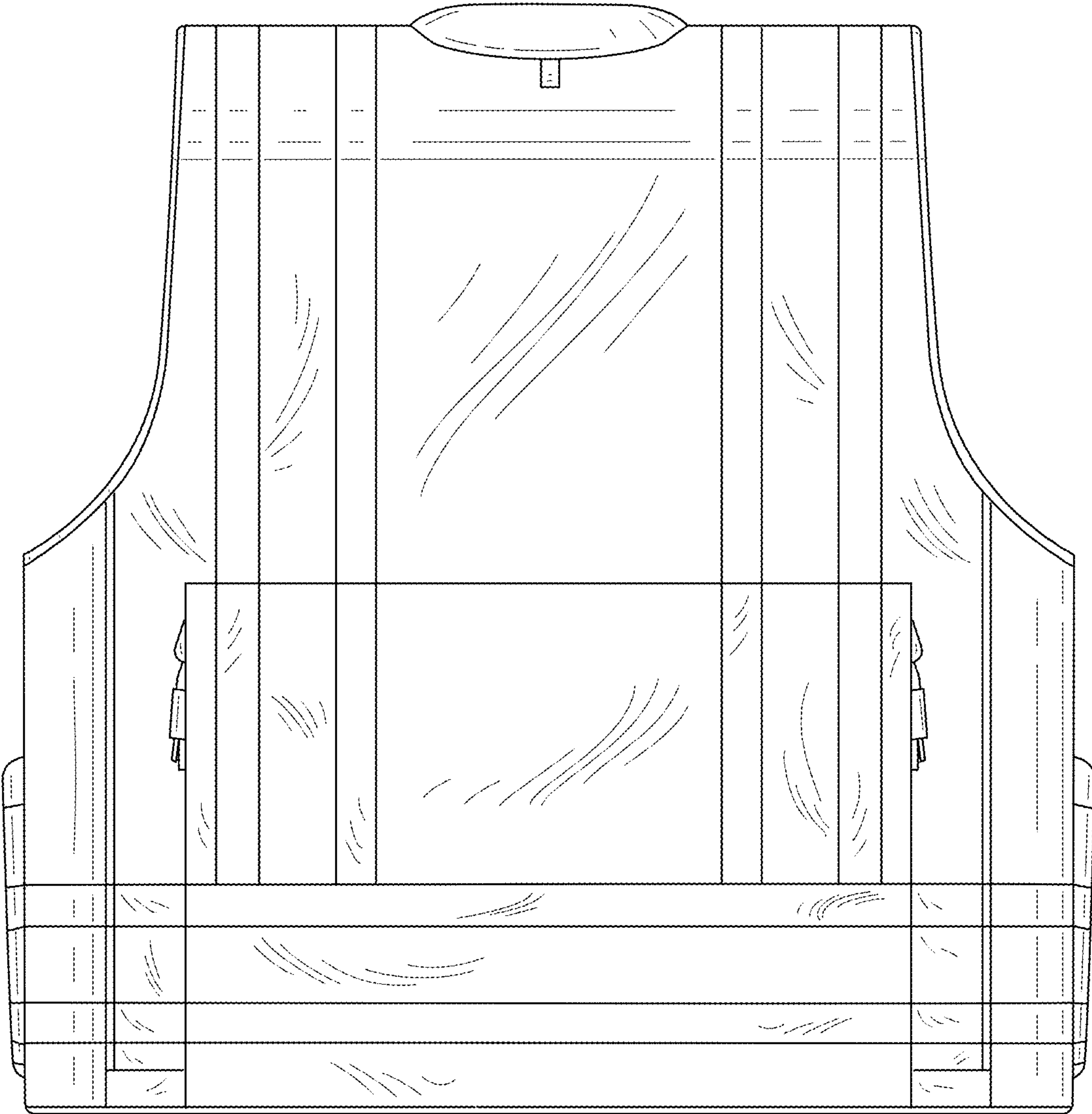


FIG. 3

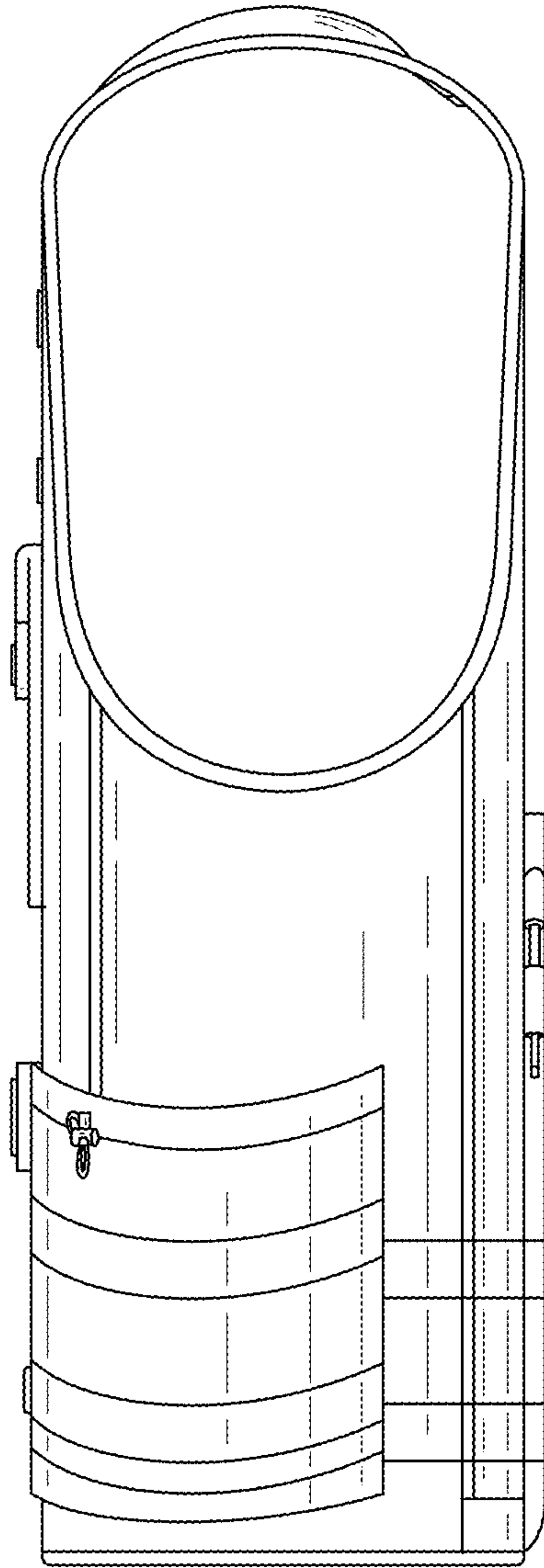


FIG. 4

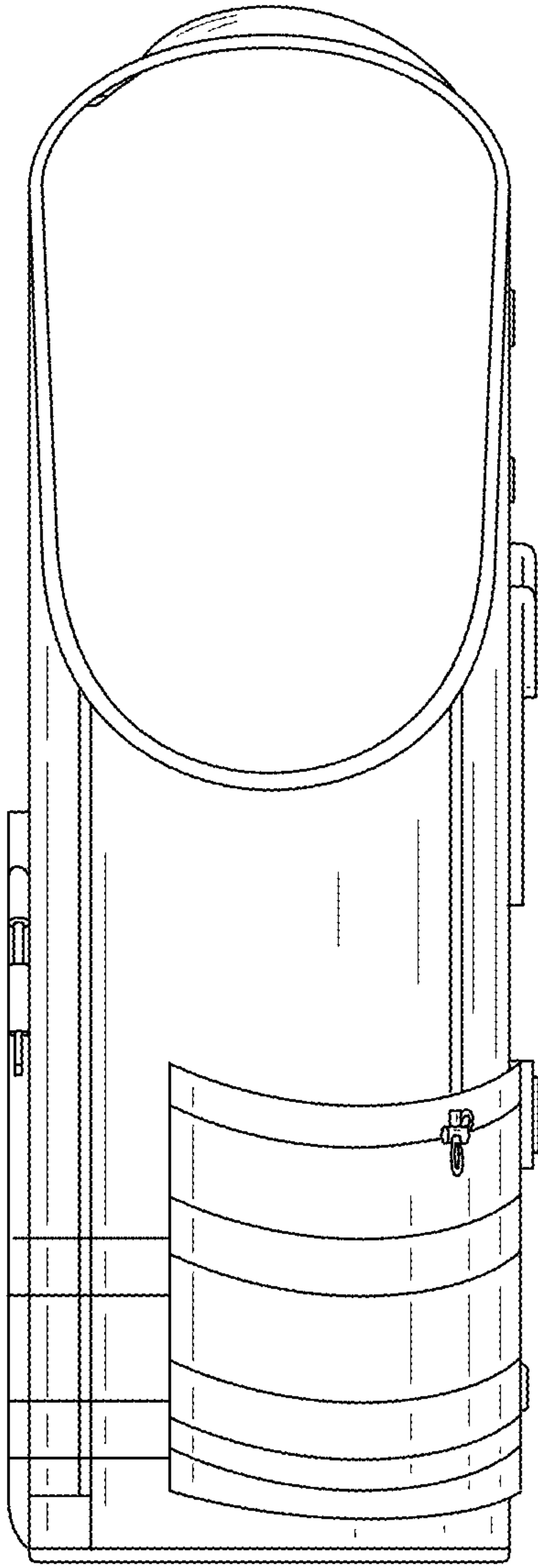


FIG. 5

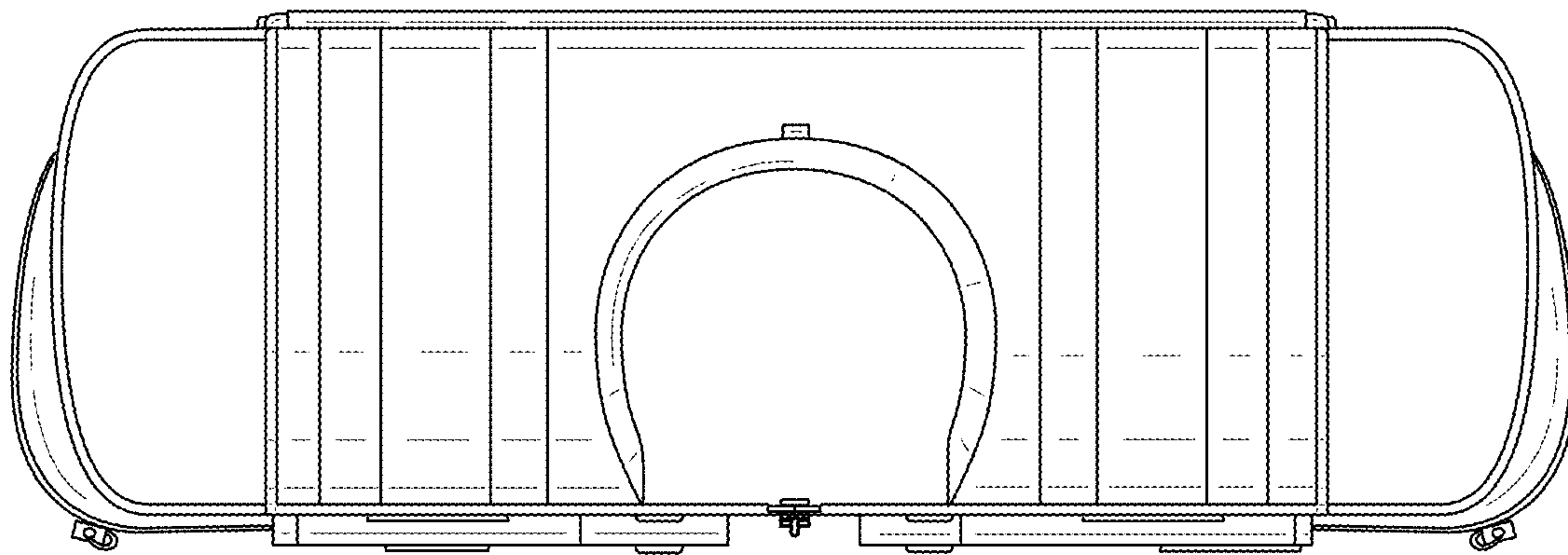


FIG. 6

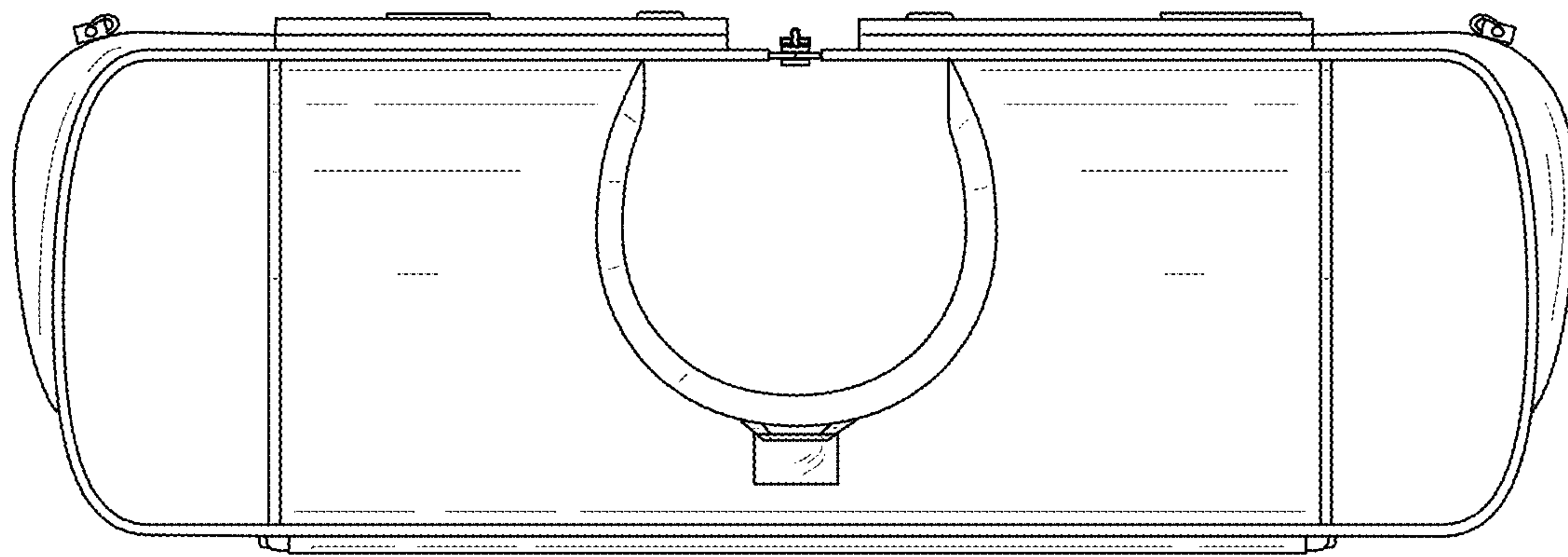


FIG. 7

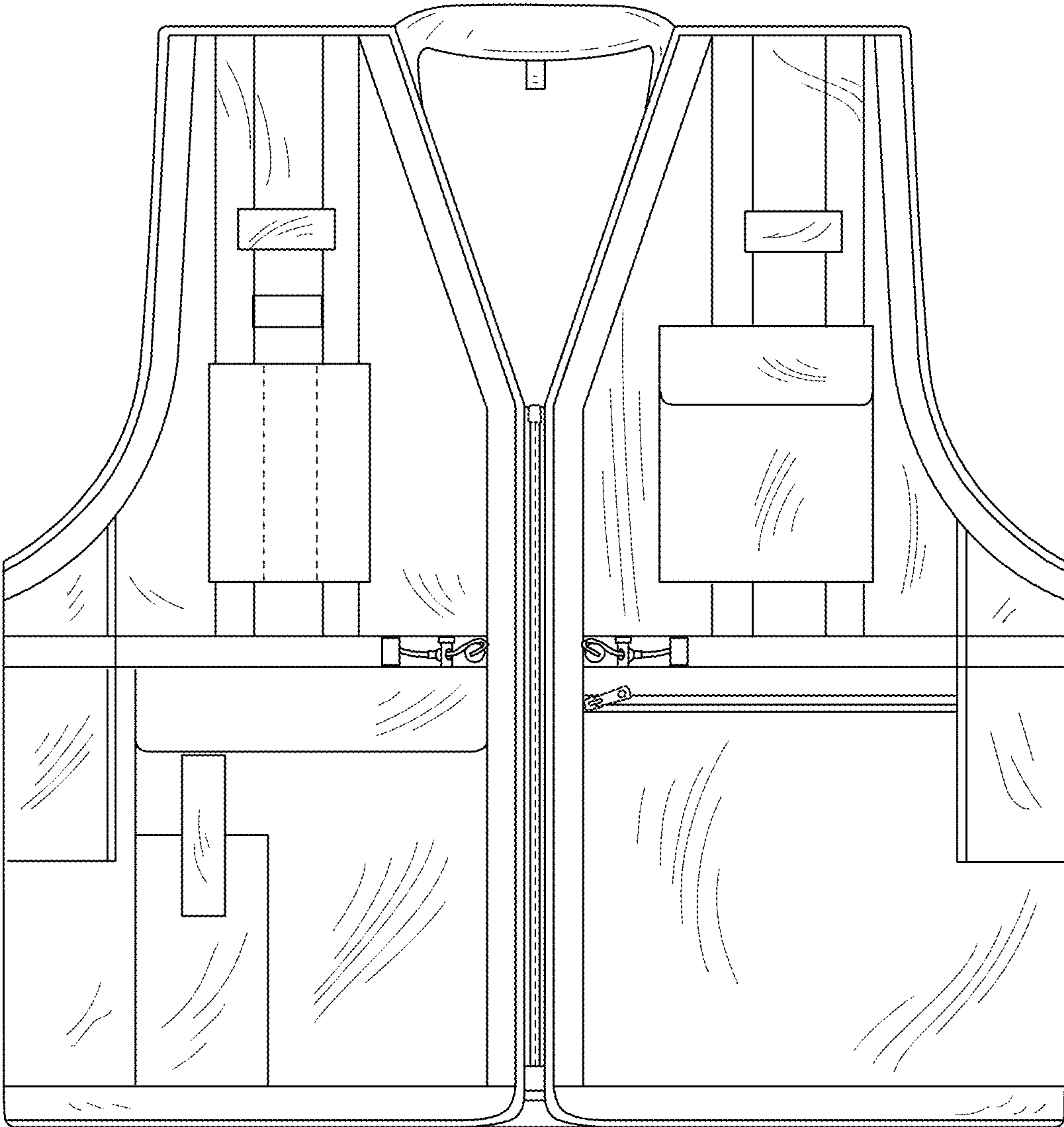


FIG. 8

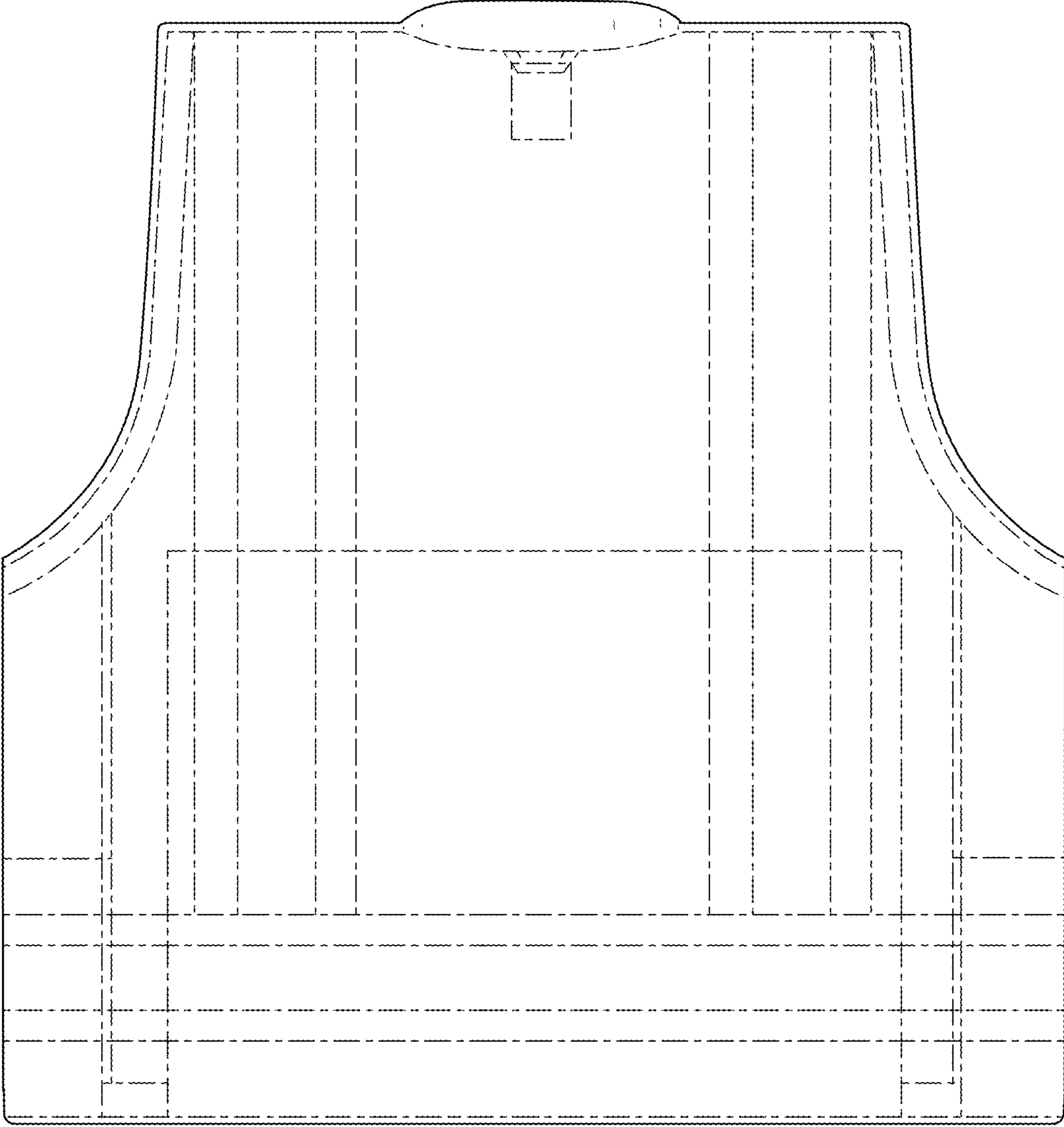


FIG. 9

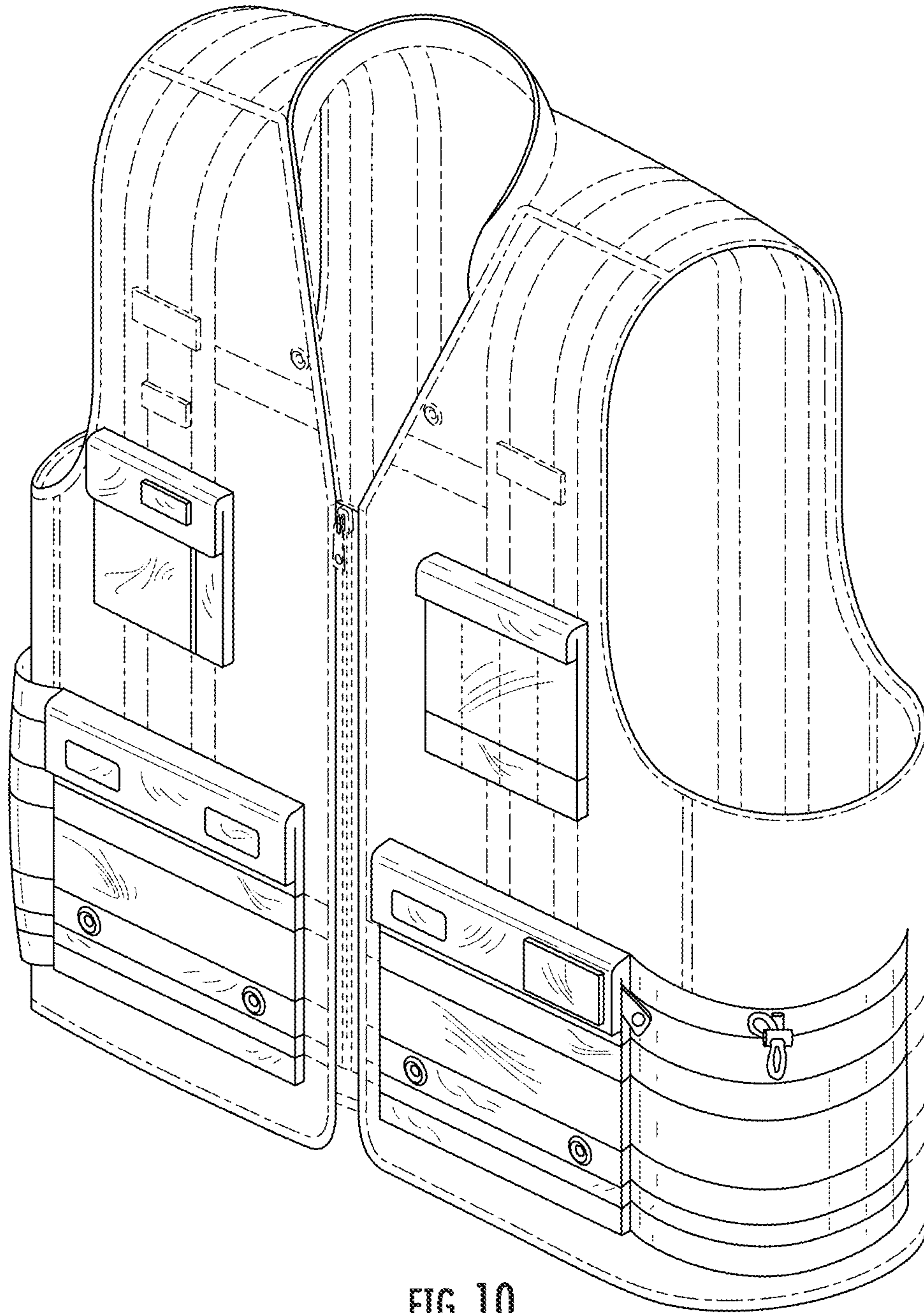


FIG. 10

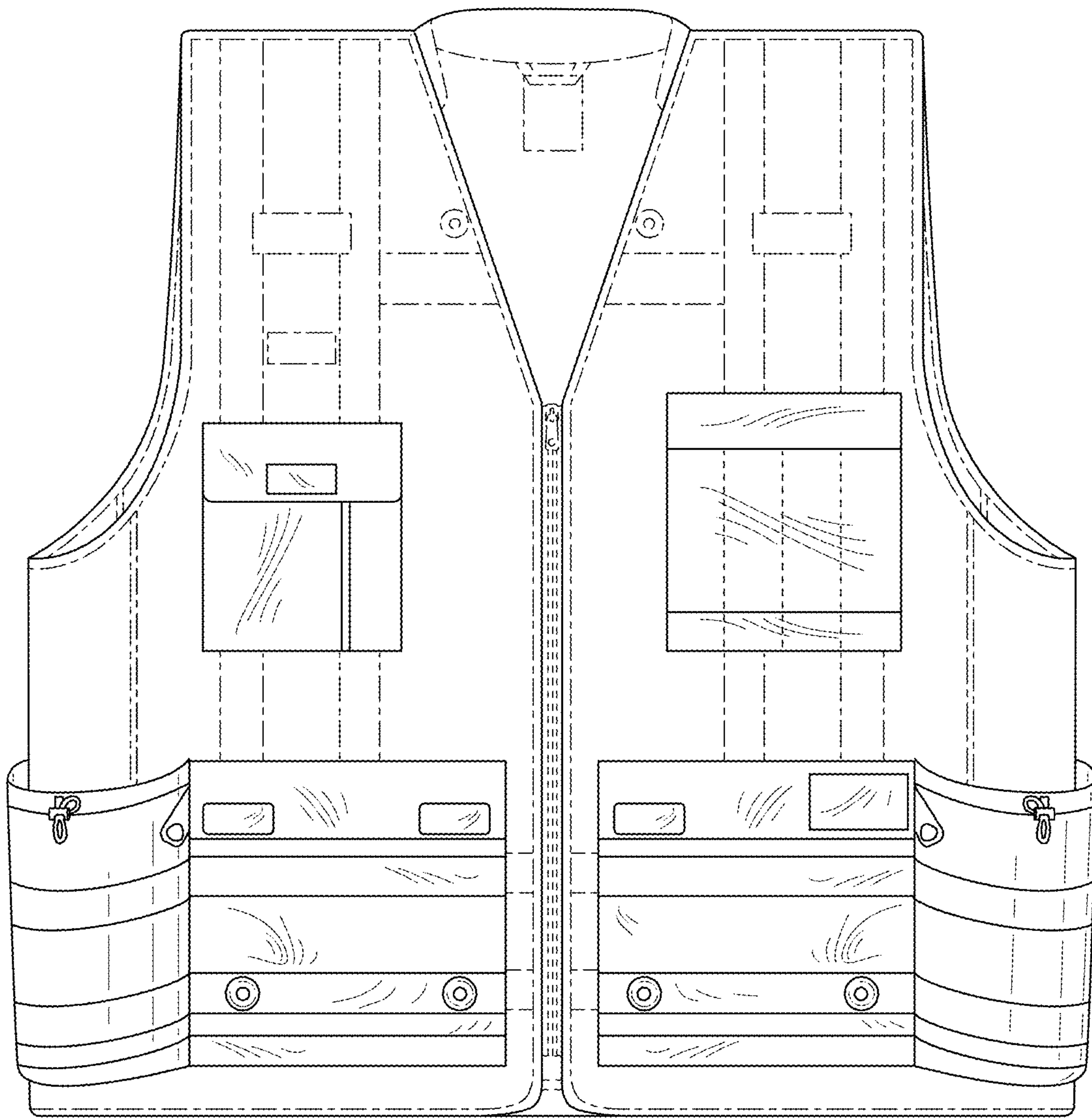


FIG. 11

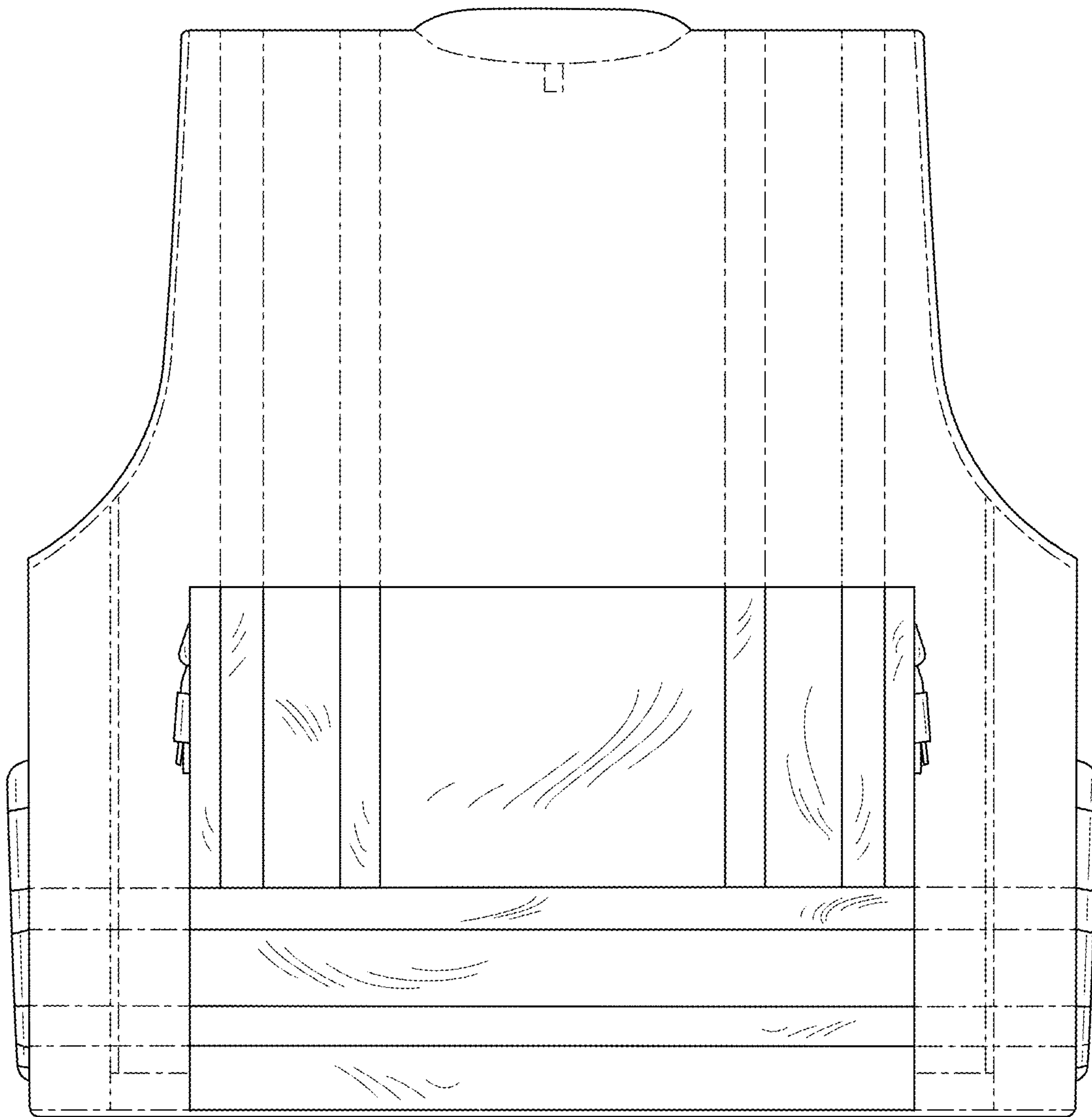


FIG. 12

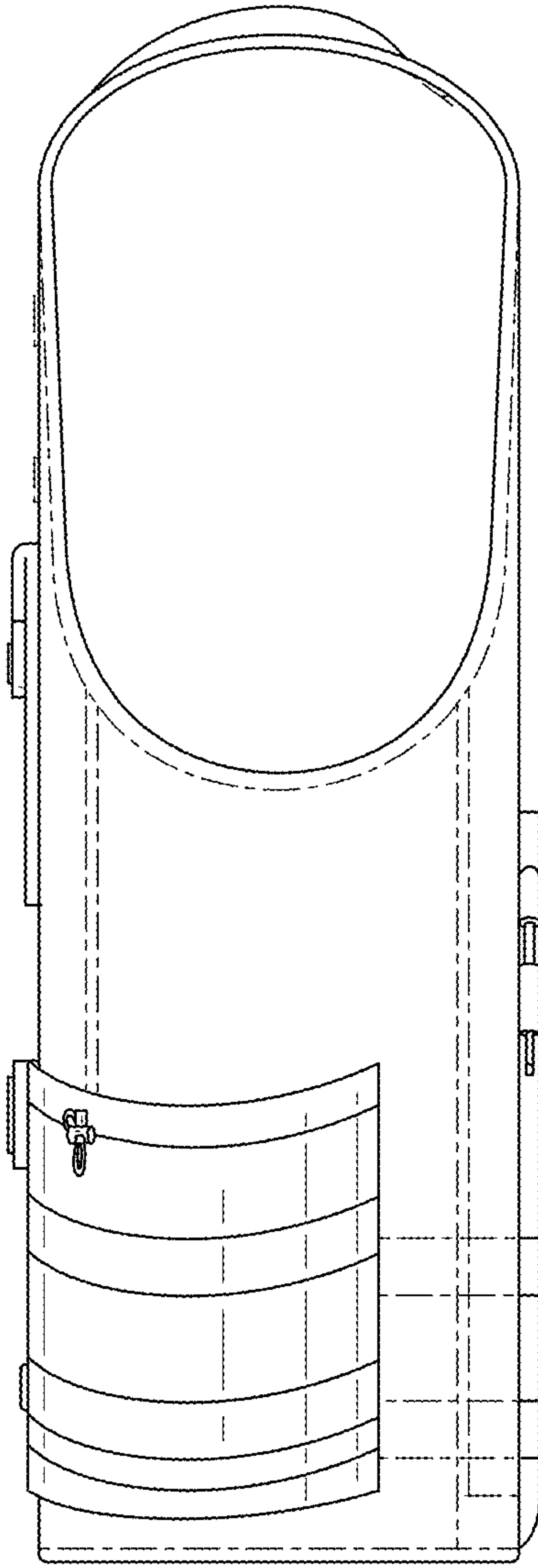


FIG. 13

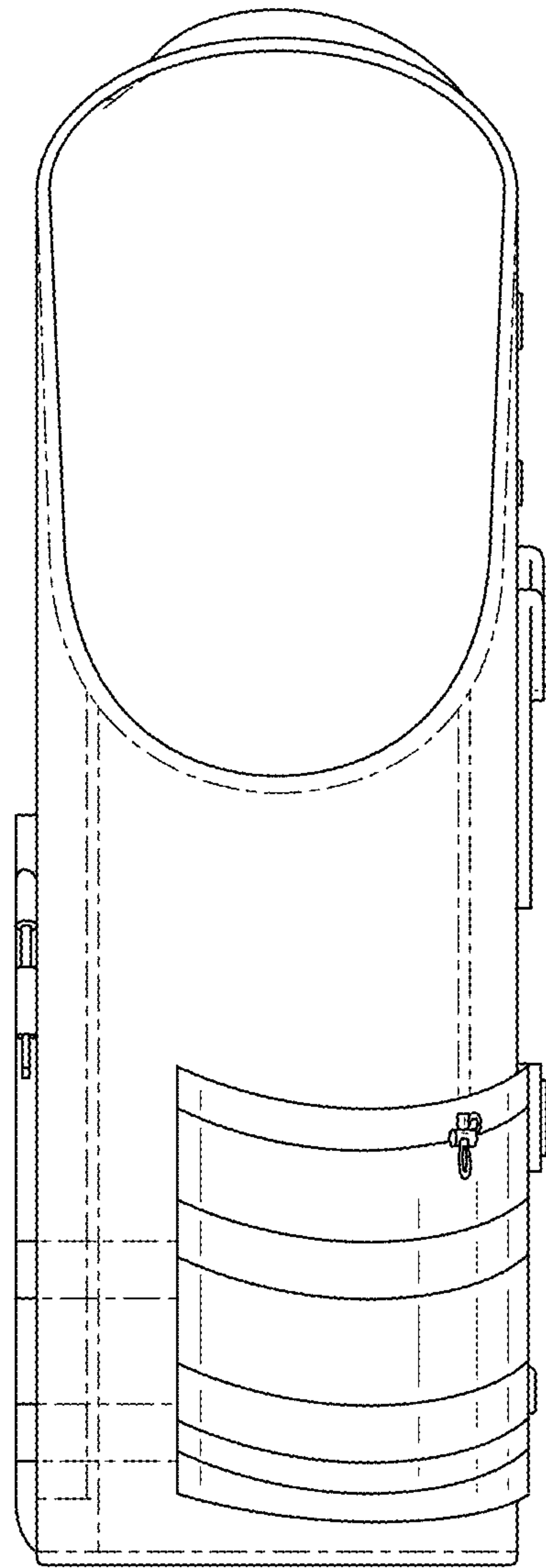


FIG. 14

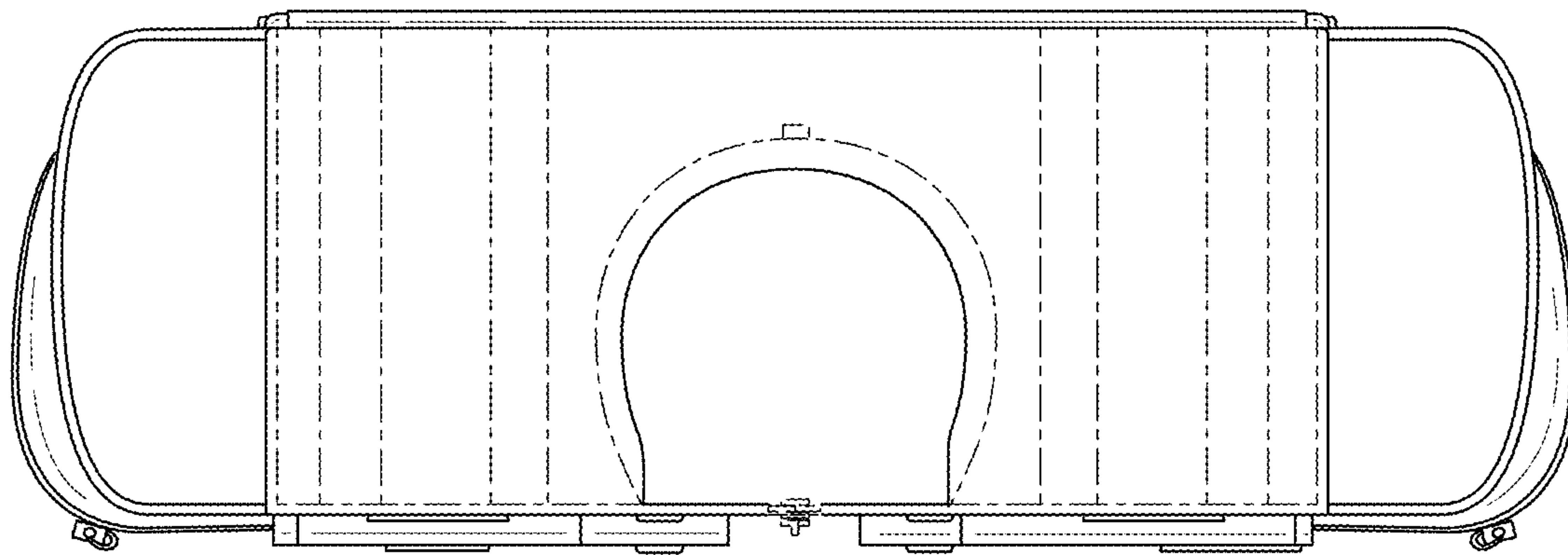


FIG. 15

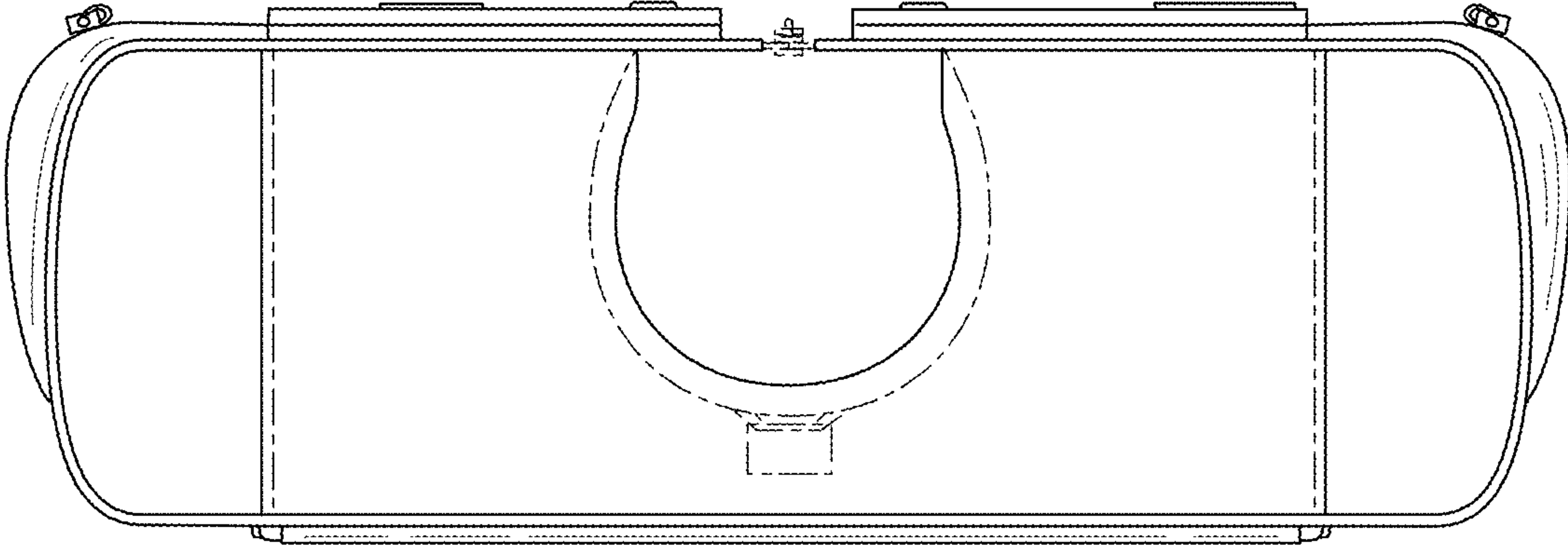


FIG. 16

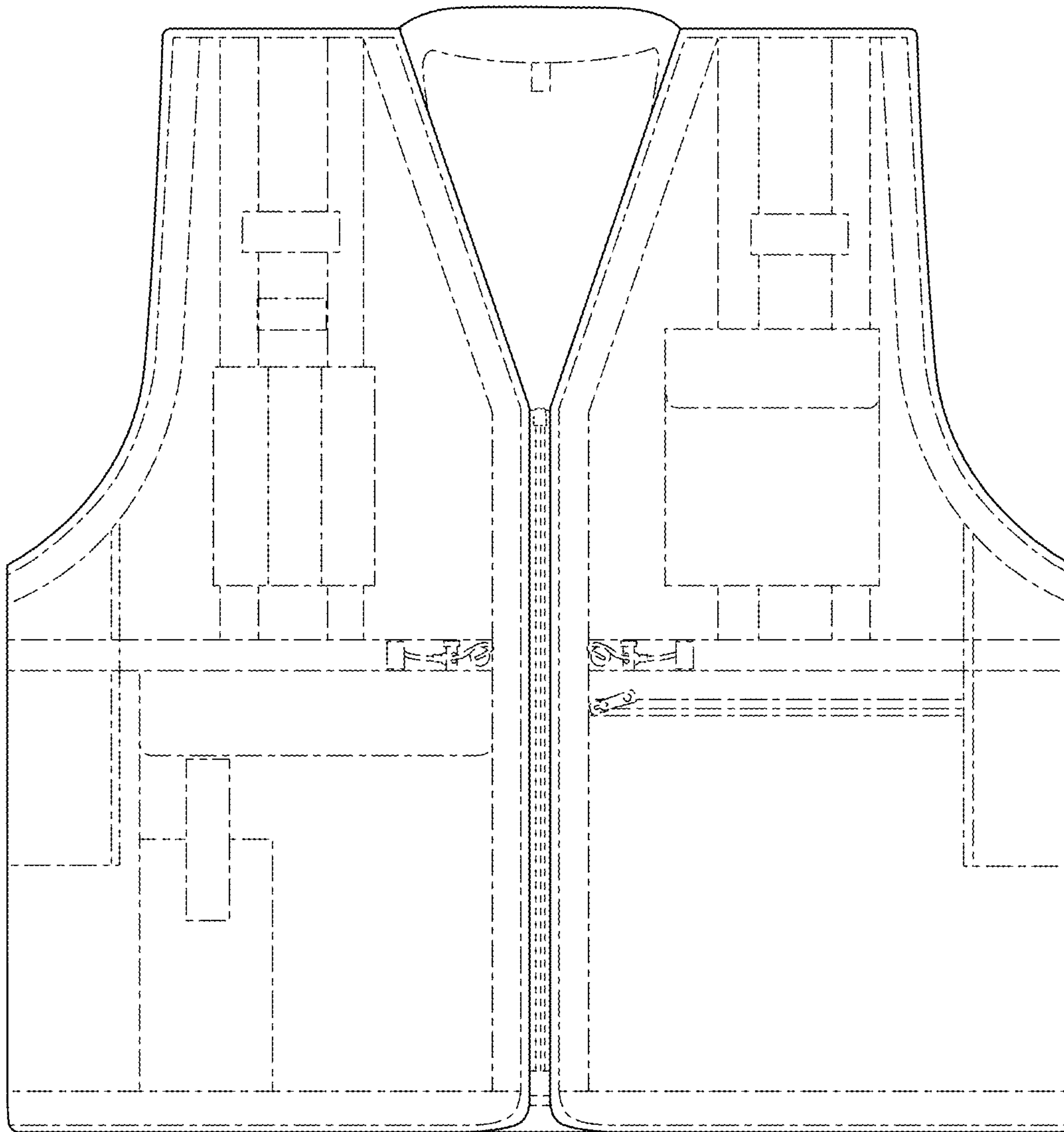


FIG. 17

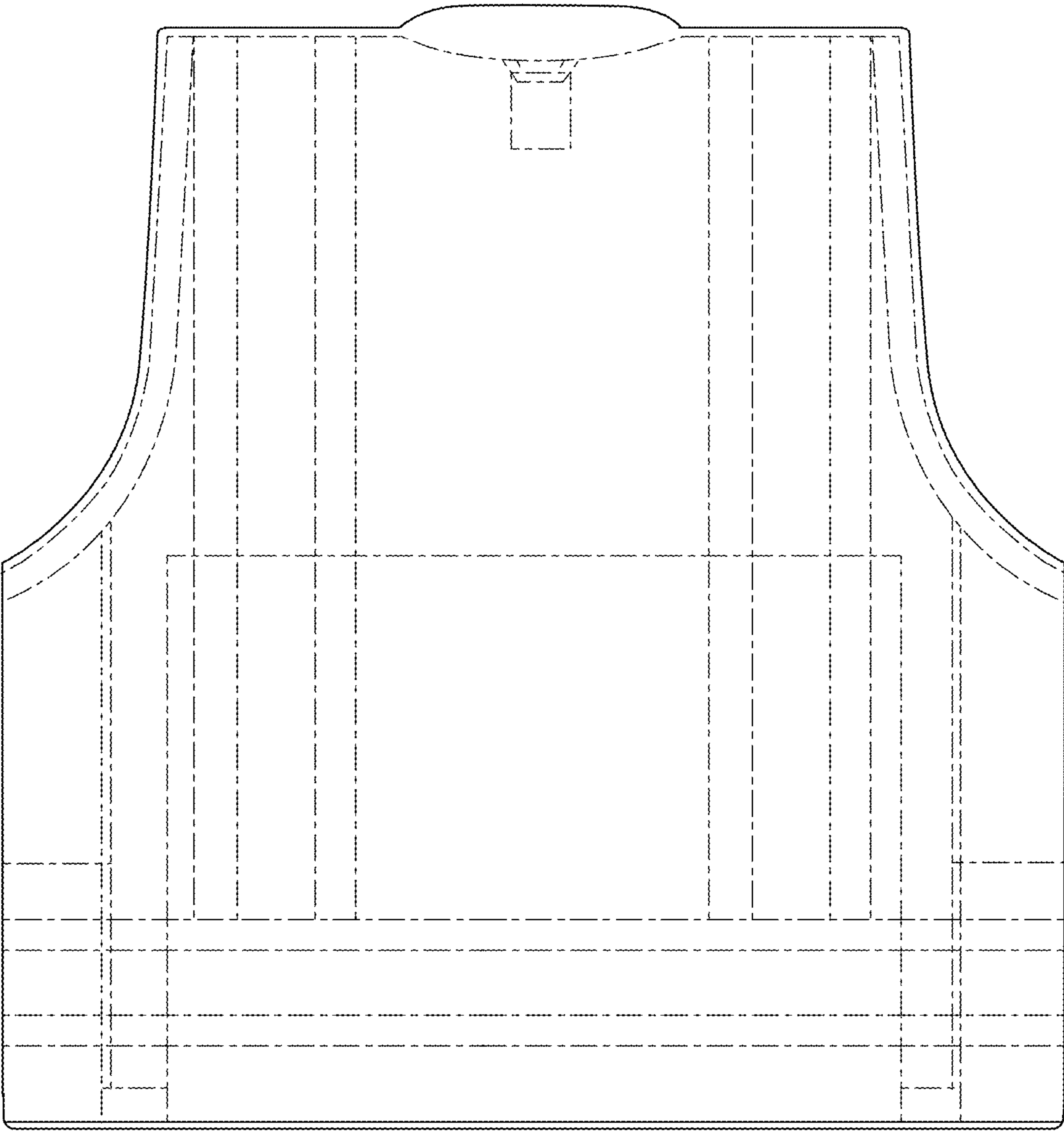


FIG. 18

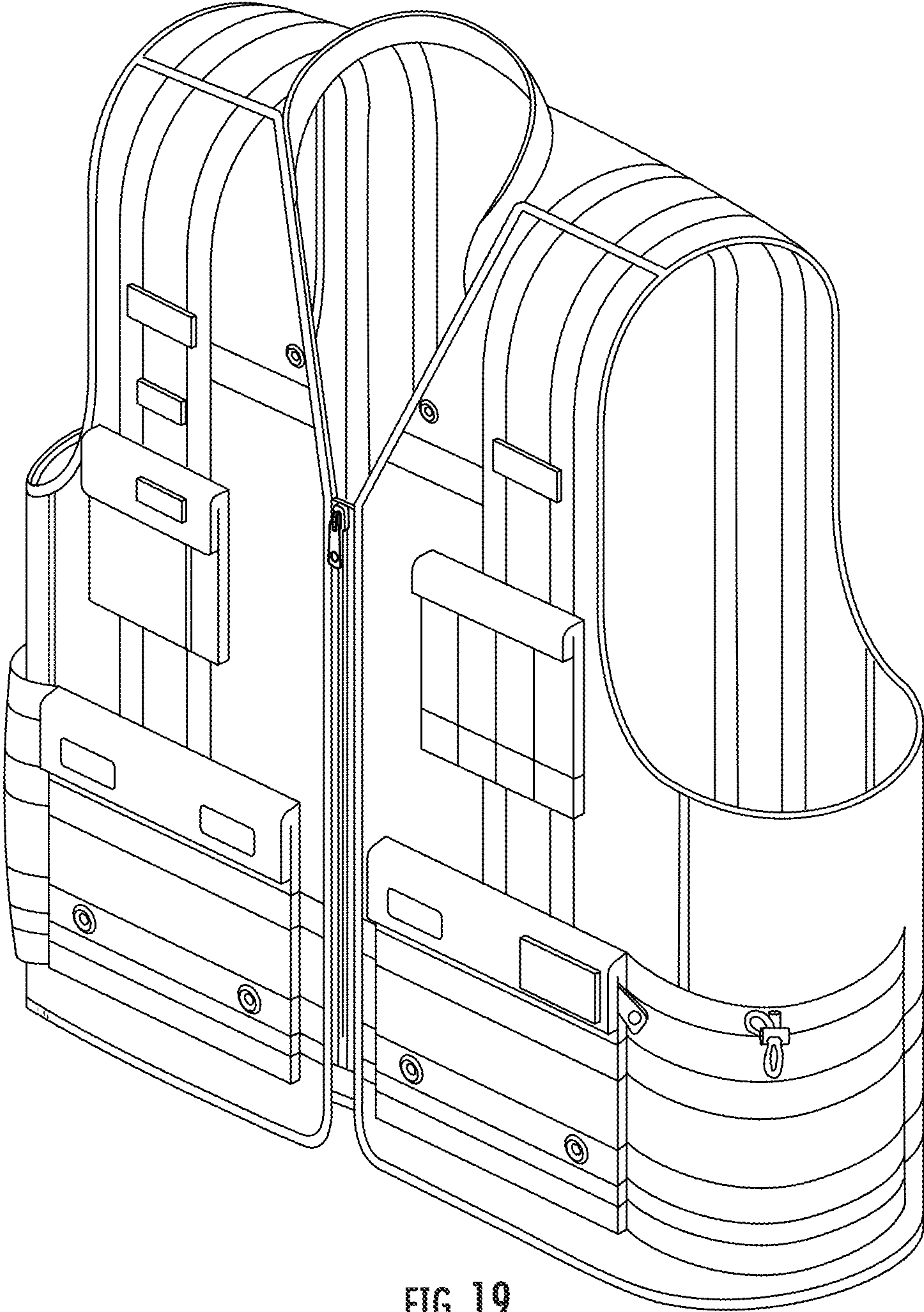


FIG. 19

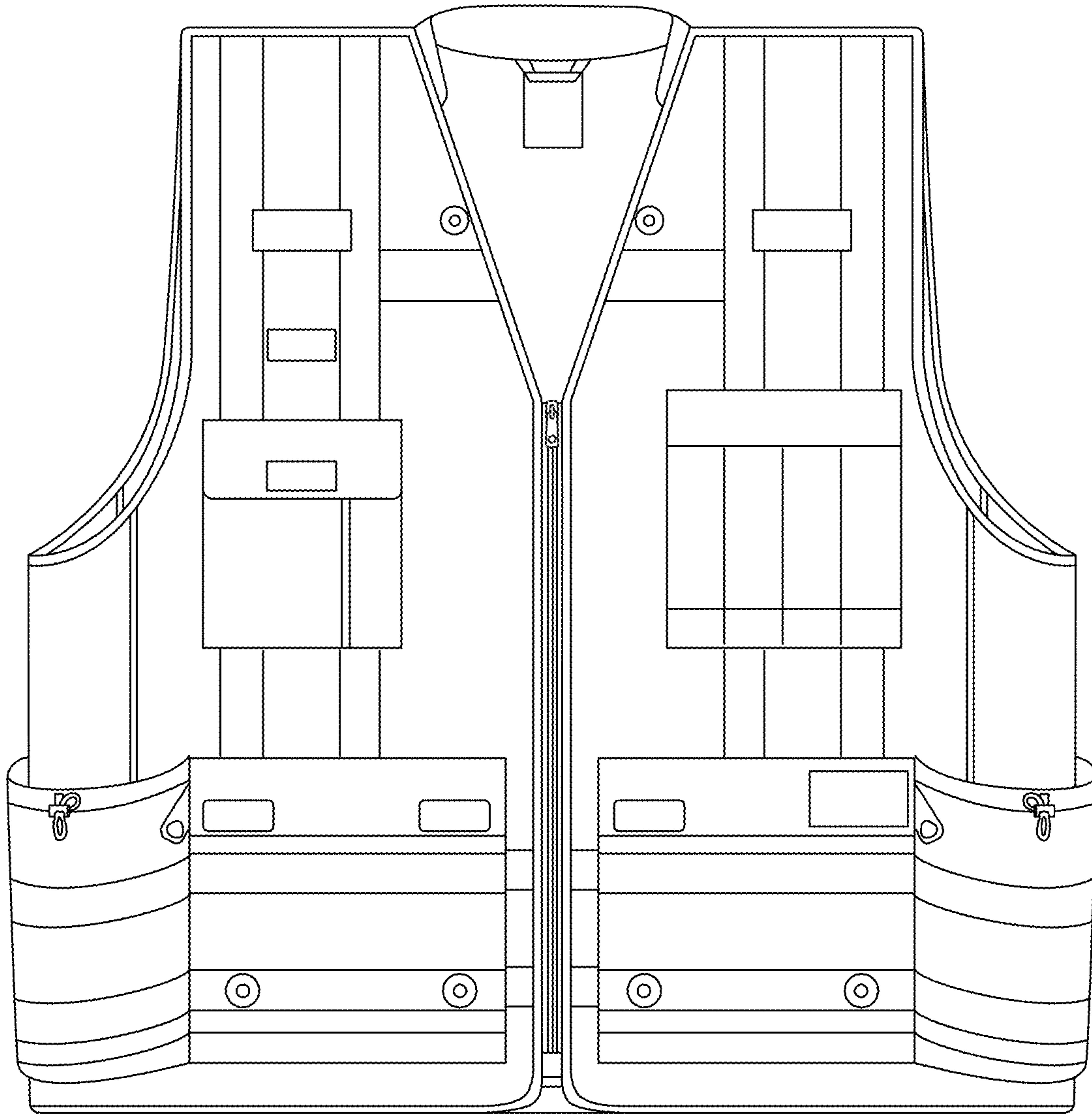


FIG. 20

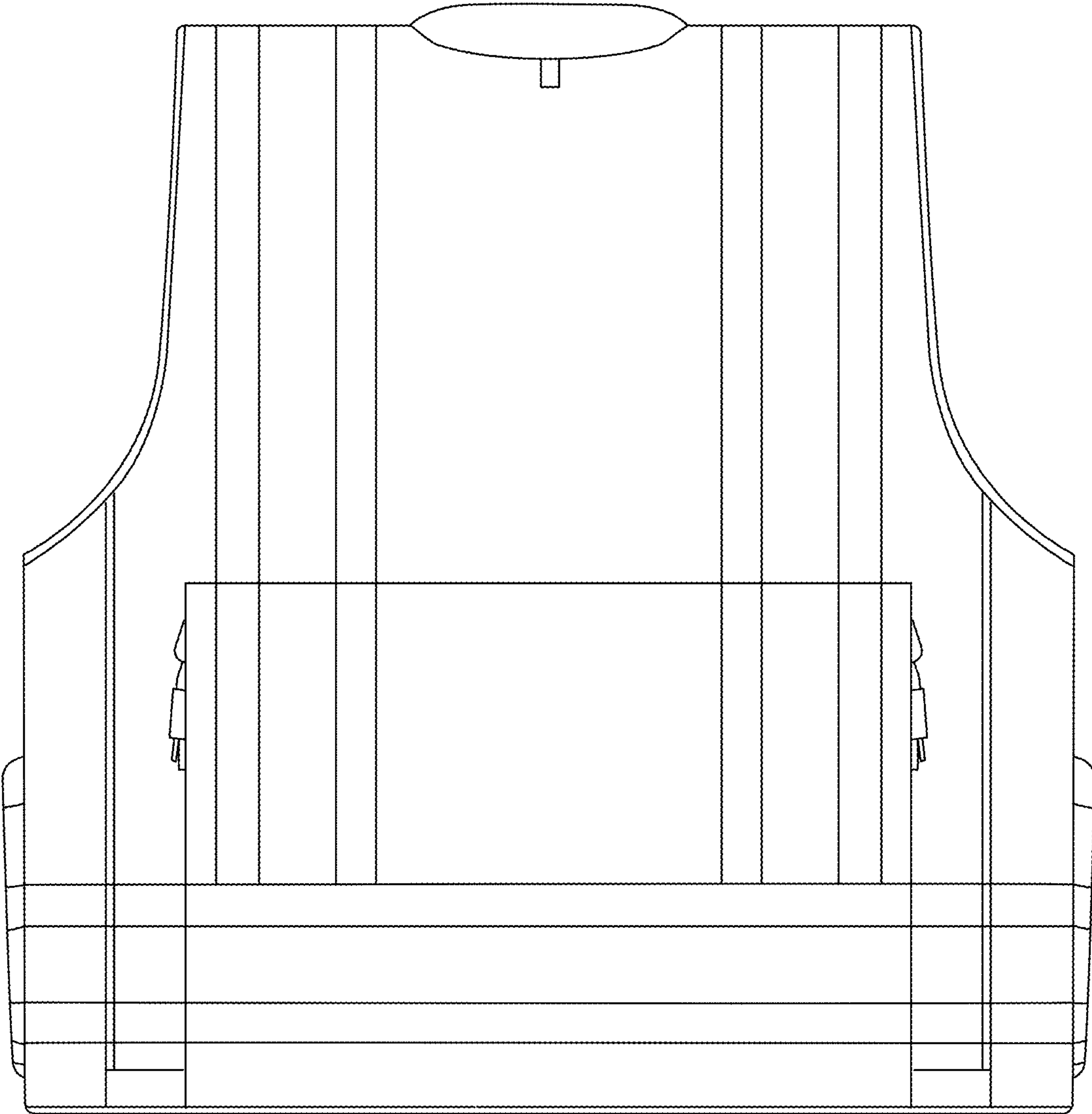


FIG. 21

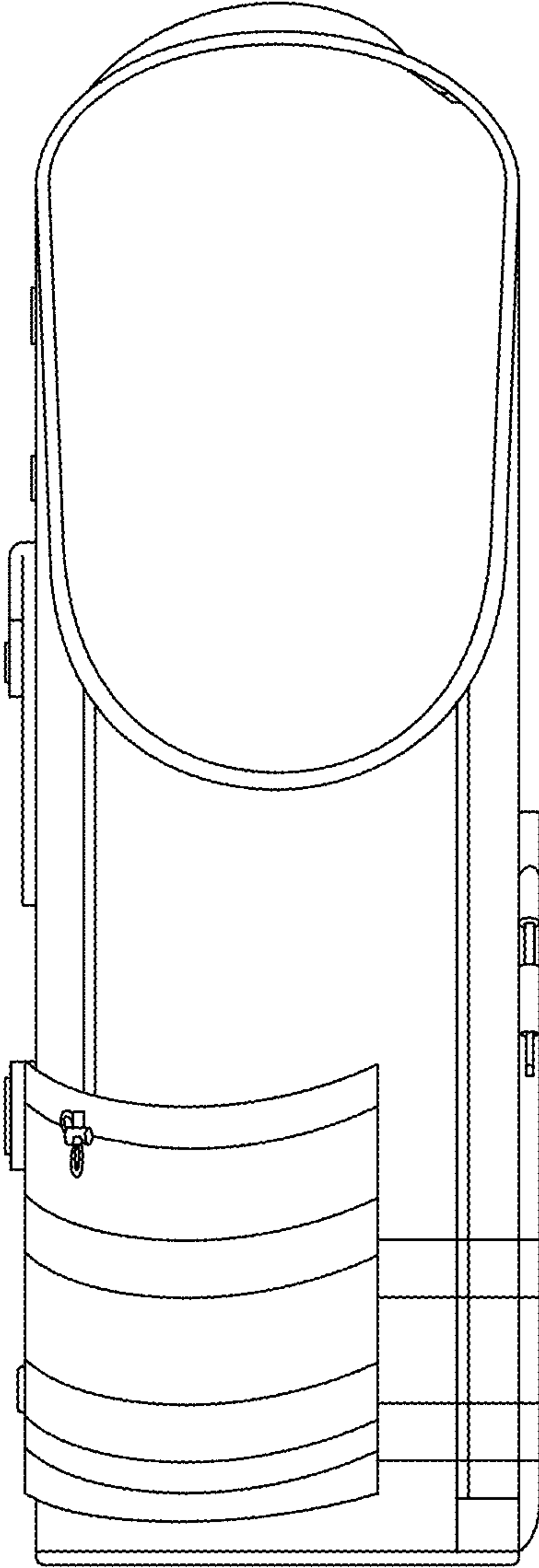


FIG. 22

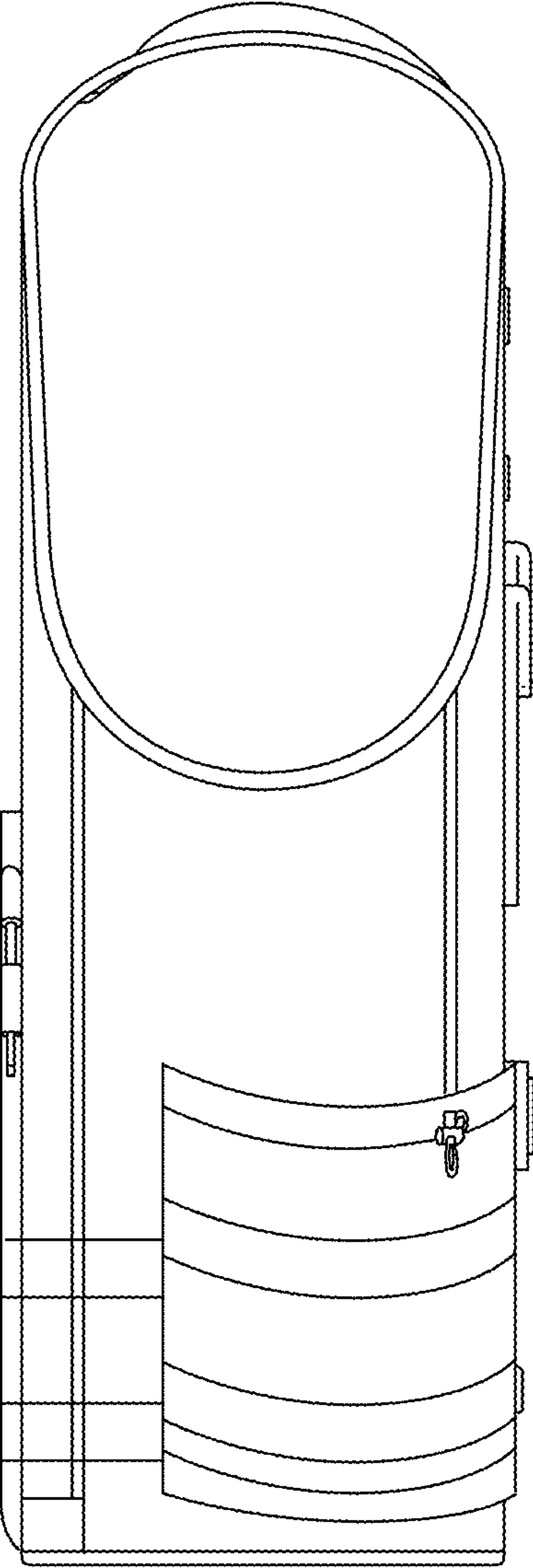


FIG. 23

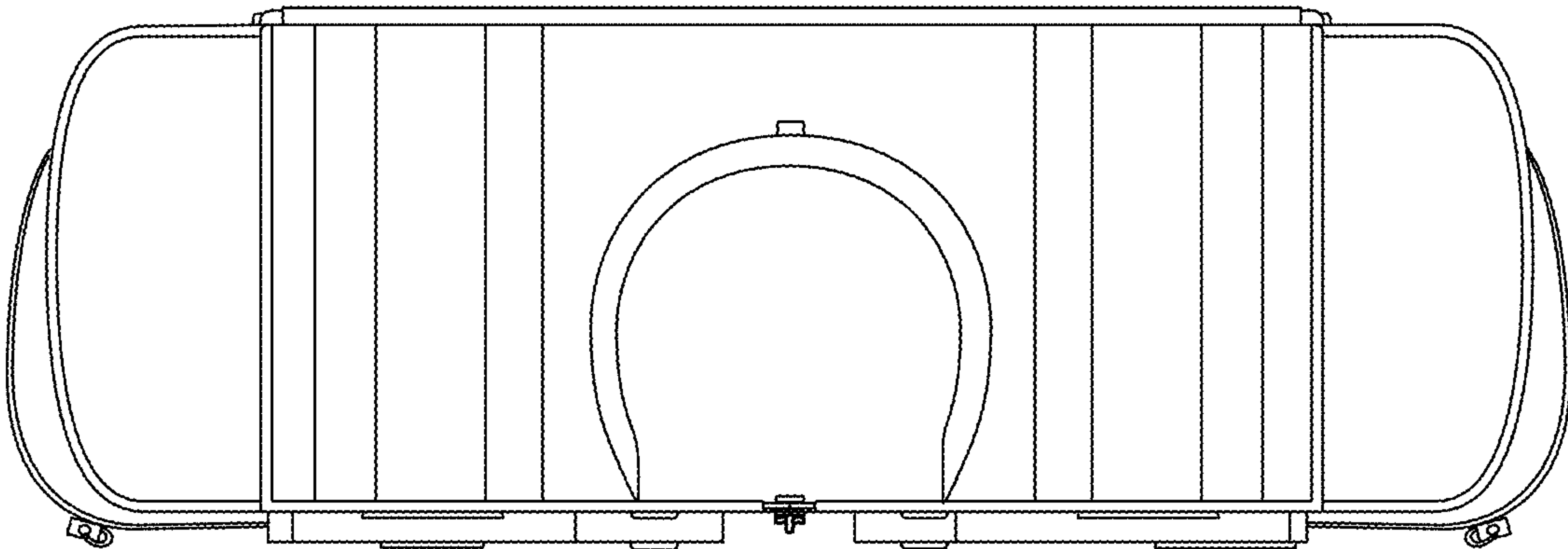


FIG. 24

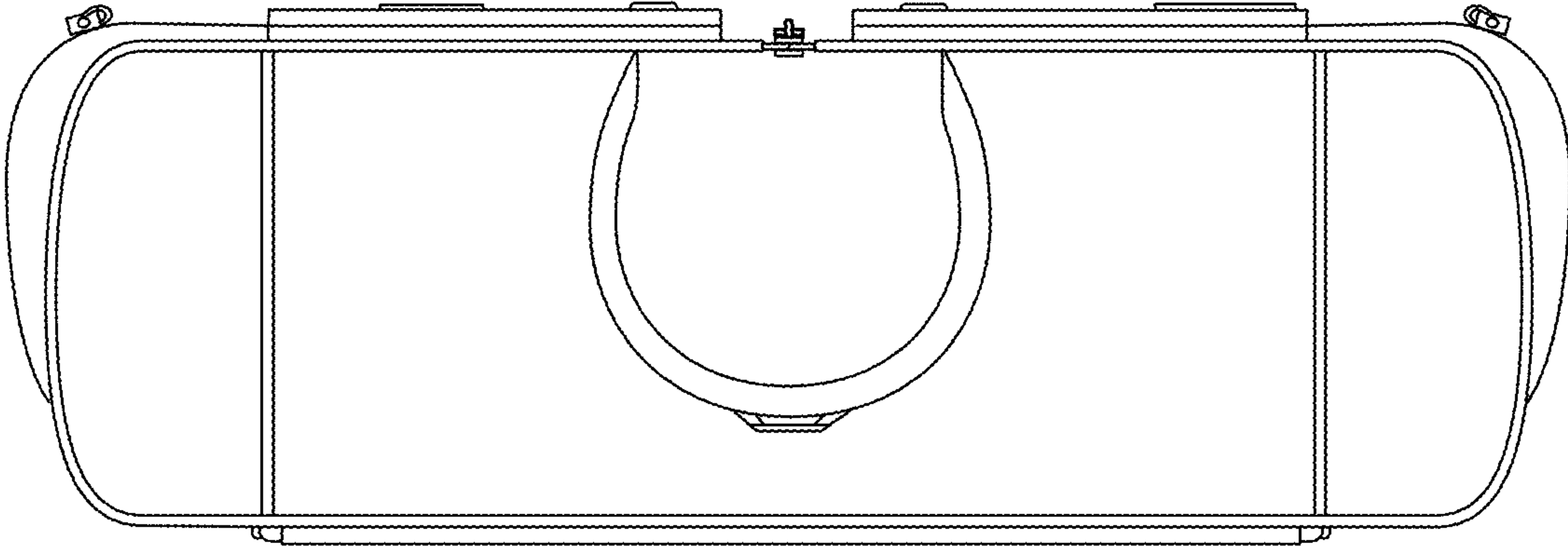


FIG. 25

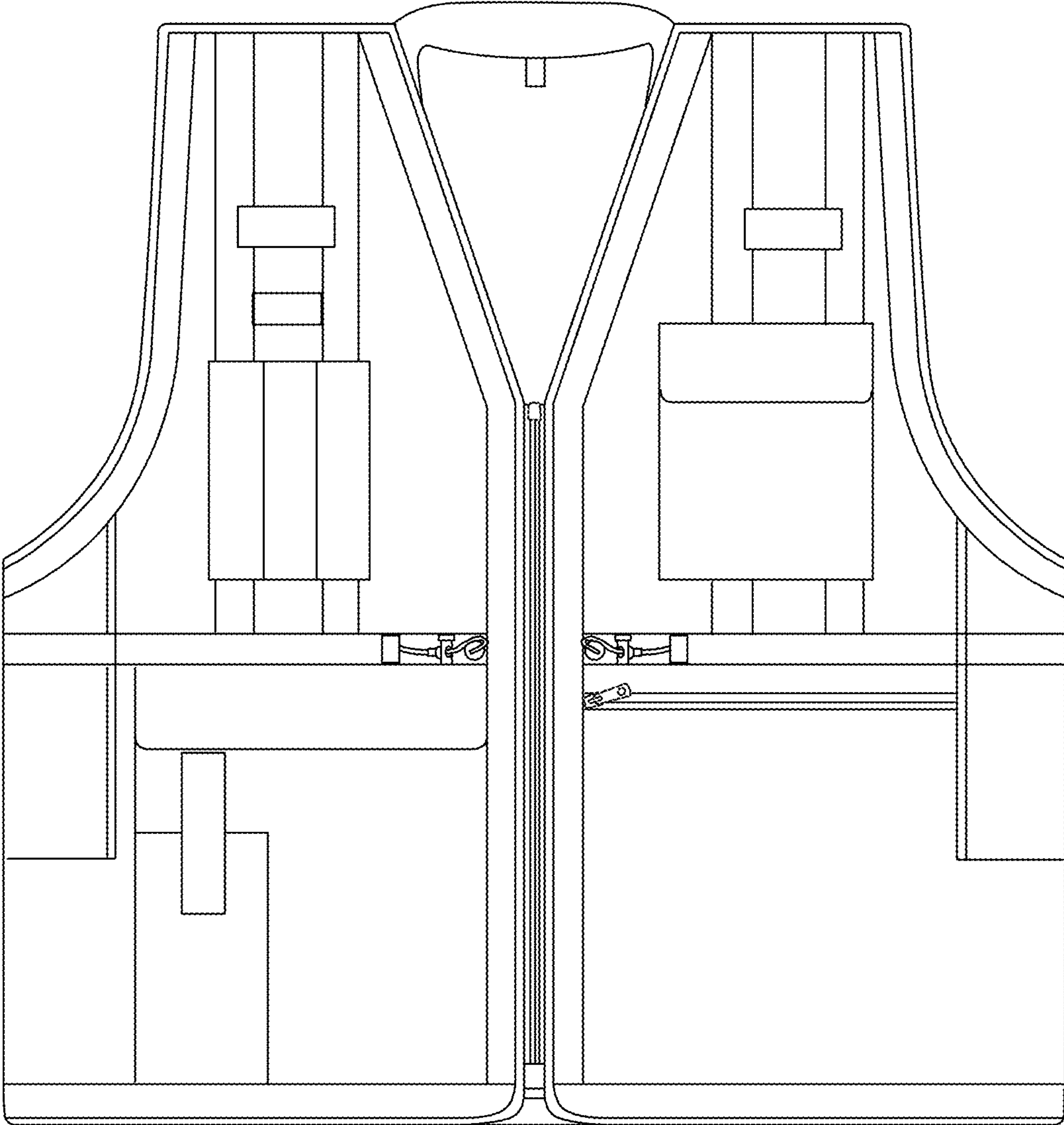


FIG. 26

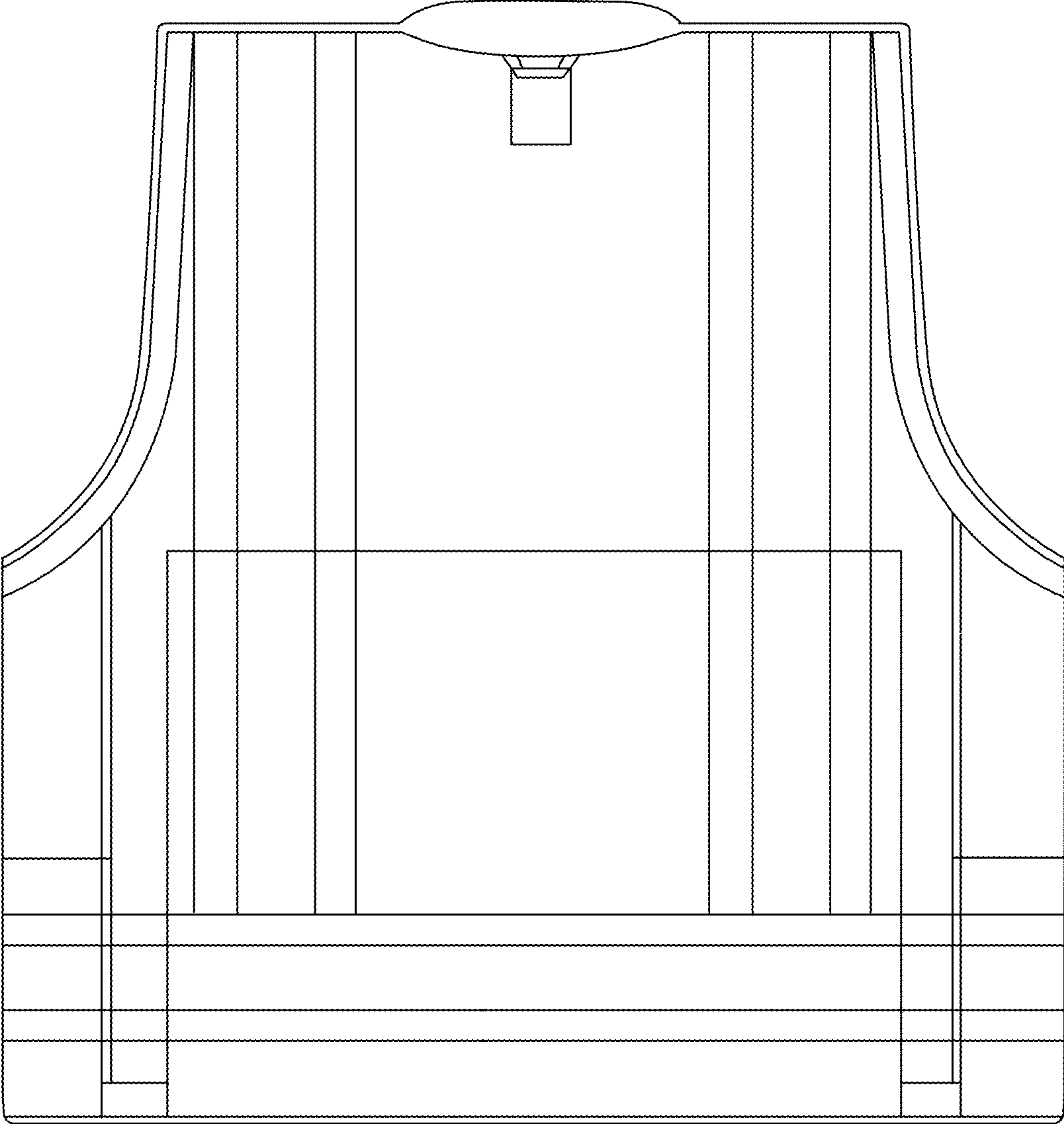


FIG. 27