



US00D988636S

(12) **United States Design Patent** (10) **Patent No.:** **US D988,636 S**
Lecigne et al. (45) **Date of Patent:** **** Jun. 13, 2023**

(54) **UNDERGARMENT**

- (71) Applicant: **Jockey International, Inc.**, Kenosha, WI (US)
- (72) Inventors: **Laetitia Lecigne**, New Rochelle, NY (US); **Valerie Kaye Granfeldt**, Gurnee, IL (US); **Gina Mondi**, West Orange, NJ (US); **Stacy Diane Rogers**, Racine, WI (US)
- (73) Assignee: **Jockey International, Inc.**, Kenosha, WI (US)

(**) Term: **15 Years**

(21) Appl. No.: **29/781,377**

(22) Filed: **Apr. 29, 2021**

(51) **LOC (14) Cl.** **02-01**

(52) **U.S. Cl.**
USPC **D2/712**

(58) **Field of Classification Search**
 USPC D2/700, 706, 708, 711, 712, 713, 731, D2/732, 733, 737, 738, 742
 CPC A41B 9/02; A41B 9/023; A41B 9/001; A41B 9/04; A41B 9/12; A41B 9/14; A41B 2300/20; A41C 3/00; A41C 3/0057; A41D 7/00; A41D 11/00; A41D 7/005

See application file for complete search history.

(56) **References Cited**

U.S. PATENT DOCUMENTS

3,768,471 A *	10/1973	Belpaume	A41D 7/005
				2/403
5,435,014 A *	7/1995	Moretz	A61F 13/15699
				2/403
D417,940 S	12/1999	Coates et al.		
D540,009 S *	4/2007	Ceffalio	D2/712
D566,926 S	4/2008	Kang		
7,958,571 B2	6/2011	Kitsch et al.		
D646,462 S	10/2011	Ellis et al.		

(Continued)

OTHER PUBLICATIONS

X-Series Trunk Underwear—Rose Gold, posting date not available [online], [retrieved Jan. 6, 2023]. Retrieved from internet, <https://zeros.com/products/x-series-trunk-underwear-rose-gold> (Year: 2023).*

Men's Active Flyless Boxer Brief, posting date not available [online], [retrieved Jan. 6, 2023]. Retrieved from internet, <https://bombas.com/products/mens-active-boxer-brief> (Year: 2023).*

(Continued)

Primary Examiner — Jonathan J Han
Assistant Examiner — Caitlin Mackenzie Williams
 (74) *Attorney, Agent, or Firm* — Banner & Witcoff, Ltd.

(57) **CLAIM**

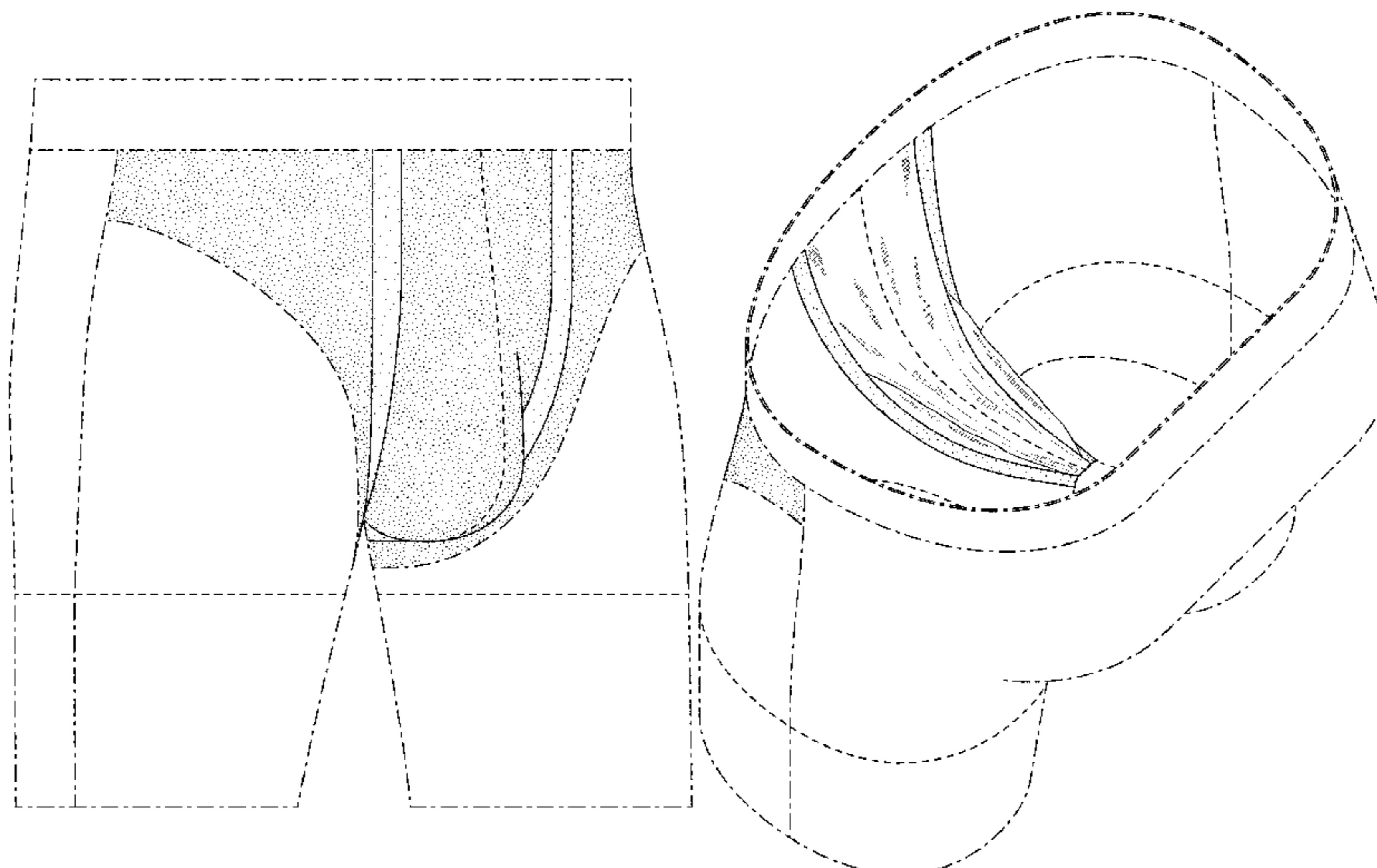
The ornamental design for an undergarment, as shown and described.

DESCRIPTION

FIG. 1 is a front perspective view of an undergarment showing our new design in an in-use configuration; FIG. 2 is a front view thereof; FIG. 3 is a rear top perspective view thereof; FIG. 4 is a left side view thereof; FIG. 5 is a right side view thereof; FIG. 6 is a top view thereof; FIG. 7 is a bottom view thereof; FIG. 8 is a front view of the undergarment of FIGS. 1-7 in a flat configuration; and, FIG. 9 is a front view of the undergarment of FIGS. 1-7 in an inside-out, flat configuration.

The broken lines depicting the remainder of the undergarment form no part of the claimed design; and, the broken lines immediately adjacent to the shaded area depict boundaries of the claimed design and form no part thereof. Moreover, any unshaded region within a shaded area that is demarcated by broken lines forms no part of the claimed design. In addition, the first density and second density of shading of the undergarment depicts different appearances of the undergarment.

1 Claim, 9 Drawing Sheets



(56)

References Cited

U.S. PATENT DOCUMENTS

D656,708	S	4/2012	Ellis	
D702,918	S *	4/2014	Radford	D2/712
D735,444	S *	8/2015	Harris	D2/712
9,687,030	B2	6/2017	Bigney et al.	
D809,242	S	2/2018	Kimel et al.	
D809,243	S	2/2018	Kimel et al.	
D811,041	S *	2/2018	Bethke, Jr.	D2/712
RE46,892	E	6/2018	Bigney et al.	
D846,833	S	4/2019	Cai	
D850,059	S	6/2019	Cai	
D864,523	S *	10/2019	Diamond	D2/712
10,542,782	B2	1/2020	Shupe et al.	
D877,453	S *	3/2020	Nacif Benavides	D2/712
D894,530	S *	9/2020	Perry	D2/712
D907,896	S *	1/2021	Karon	D2/712
D908,312	S *	1/2021	Karon	D2/712
D913,632	S *	3/2021	Franco	D2/712
D915,736	S *	4/2021	Karon	D2/712
D946,237	S *	3/2022	Calamia	D2/712
D953,694	S *	6/2022	Zhang	D2/712
2012/0167279	A1 *	7/2012	Bigney	A41B 9/02 2/401
2016/0278438	A1 *	9/2016	Polidan	A41B 9/02
2017/0095008	A1 *	4/2017	Klein	A41B 9/001
2017/0238619	A1 *	8/2017	Shupe	A41B 9/023
2017/0290374	A1 *	10/2017	Biodrowski	A41B 9/02
2019/0082745	A1 *	3/2019	Berkowitz	A41B 9/02
2019/0387809	A1 *	12/2019	Perry	A41B 17/00
2020/0100544	A1 *	4/2020	Chisholm	A41B 9/023
2021/0259326	A1 *	8/2021	Shaughnessy	A41B 9/004
2022/0079250	A1 *	3/2022	Calamia	A41B 9/001
2022/0378113	A1 *	12/2022	Frautten	A41B 9/023

OTHER PUBLICATIONS

Hanes Ultimate Men's Total Support Pouch Boxer Brief, posted Aug. 13, 2020 [online], [retrieved Jan. 6, 2023]. Retrieved from internet, <https://www.amazon.com/Hanes-Ultimate-Total-Support-Pouch/dp/B08FTYHMC7> (Year: 2020).*

Jockmail Men Boxer Shorts, posted Aug. 5, 2019 [online], [retrieved Jan. 6, 2023]. Retrieved from internet, https://www.amazon.com/Shorts-Underwear-Separate-Pouches-Darkgray/dp/B07WL6VWJS/ref=asc_df_B07WL6VWJS/ (Year: 2019).*

SAXX Men's Underwear—Ultra Super Soft Boxer Briefs with Fly and Built-in Pouch Support, posted Sep. 9, 2021 [online], [retrieved Jan. 6, 2023]. Retrieved from internet, <https://www.amazon.com/dp/B07GH2SSRJ> (Year: 2021).*

Our Athletic Underwear is Soft, Cooling and Provides Extra Support, posting date not available [online], [retrieved Jan. 6, 2023]. Retrieved from internet, <https://www.ufmunderwear.com/sports/athletic-underwear-for-men.html> (Year: 2023).*

“Cool Cotton Hammock Pouch Boxer Brief”; Tommy John; retrieved Aug. 4, 2020; published date unknown but prior to Aug. 4, 2020; URL: <<https://tommyjohn.com/collections/cool-cotton-hammock-pouch-mid-length-boxer-brief/?color=iron-grey>>.

“Second Skin Hammock Pouch Boxer Brief”; Tommy John; retrieved Aug. 4, 2020; published date unknown but prior to Aug. 4, 2020; URL: <<https://tommyjohn.com/products/second-skin-hammock-pouch-mid-length-boxer-brief?color=black>>.

“360 Sport Hammock Pouch Boxer Brief”; Tommy John; retrieved Aug. 4, 2020; published date unknown but prior to Aug. 4, 2020; URL: <<https://tommyjohn.com/collections/360-sport-boxer-brief/?color=turbulence>>.

“Cool Cotton Hammock Pouch Trunk”; Tommy John; retrieved Aug. 4, 2020; published date unknown but prior to Aug. 4, 2020; URL: <<https://tommyjohn.com/collections/hammock-pouch%E2%84%A2-Ip/products/cool-cotton-hammock-pouch-trunk>>.

* cited by examiner

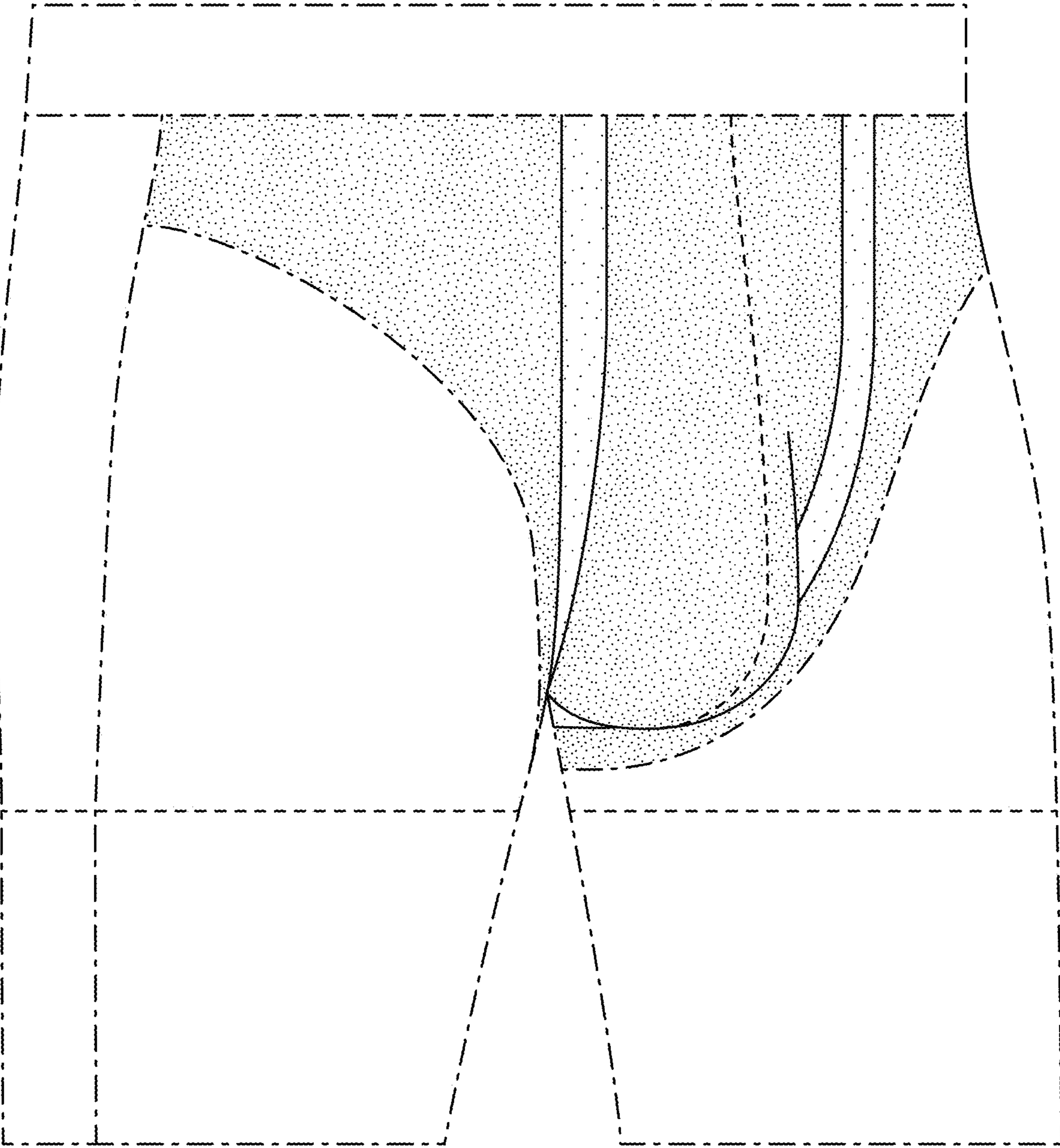


FIG. 1

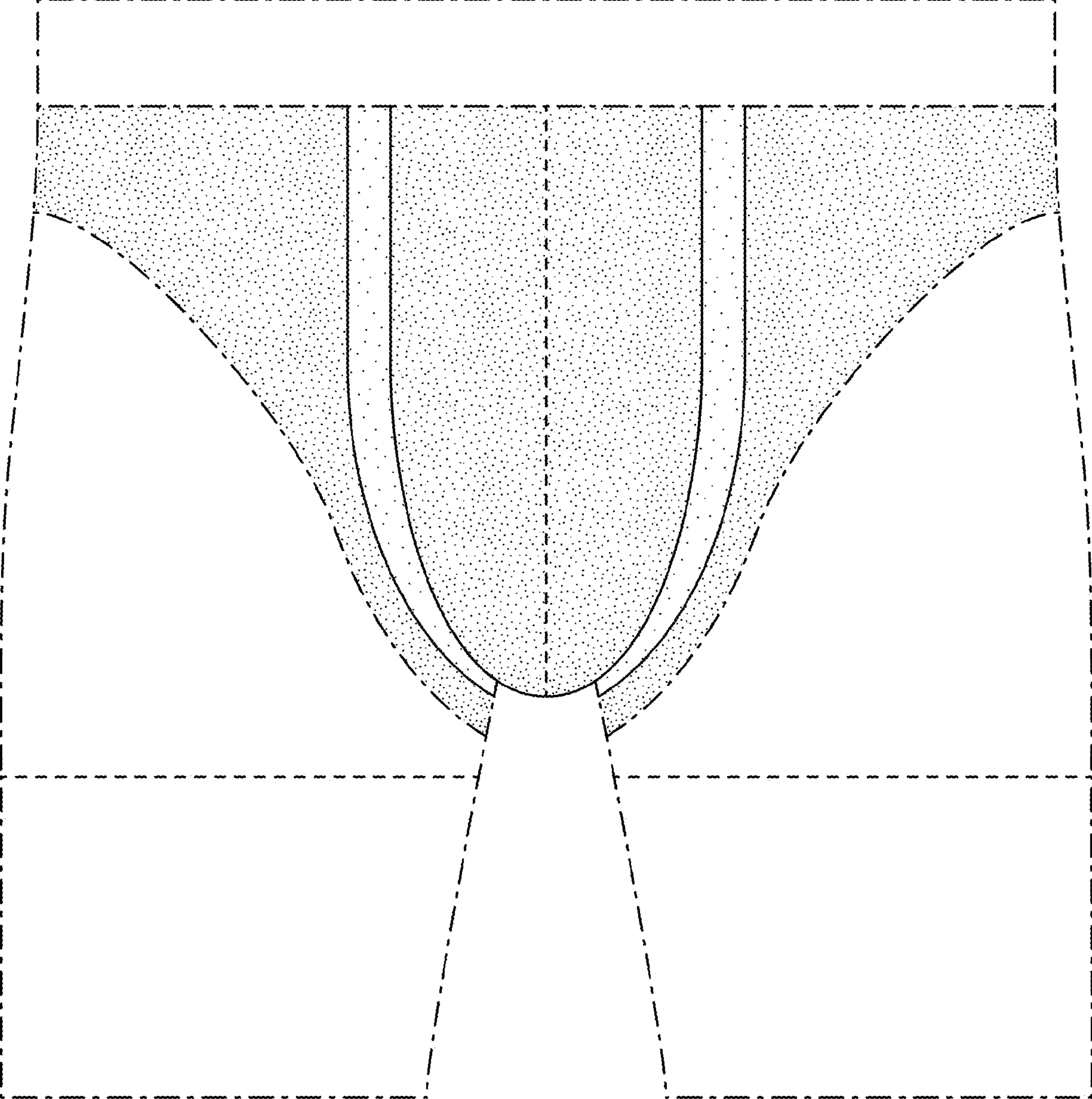


FIG. 2

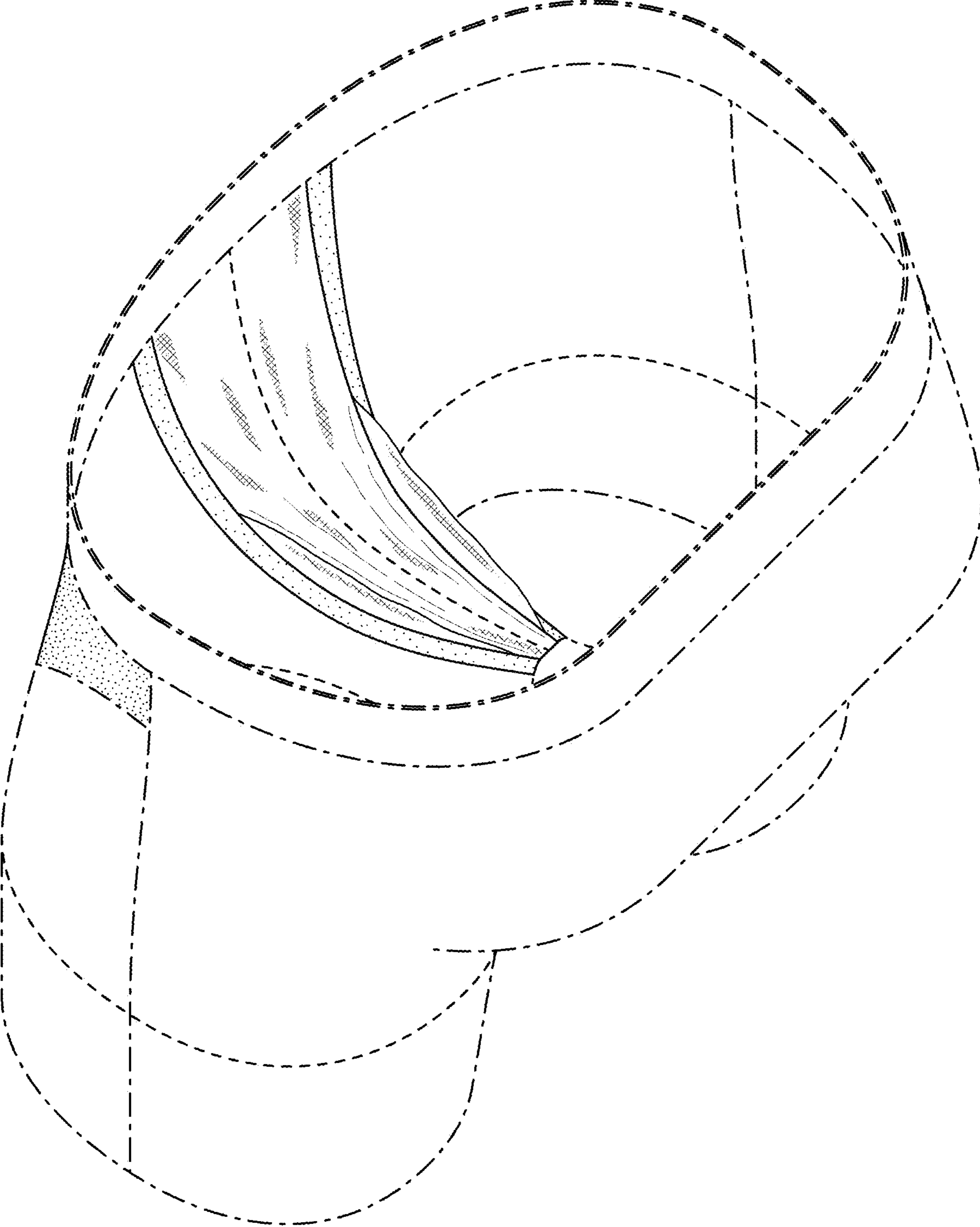


FIG. 3

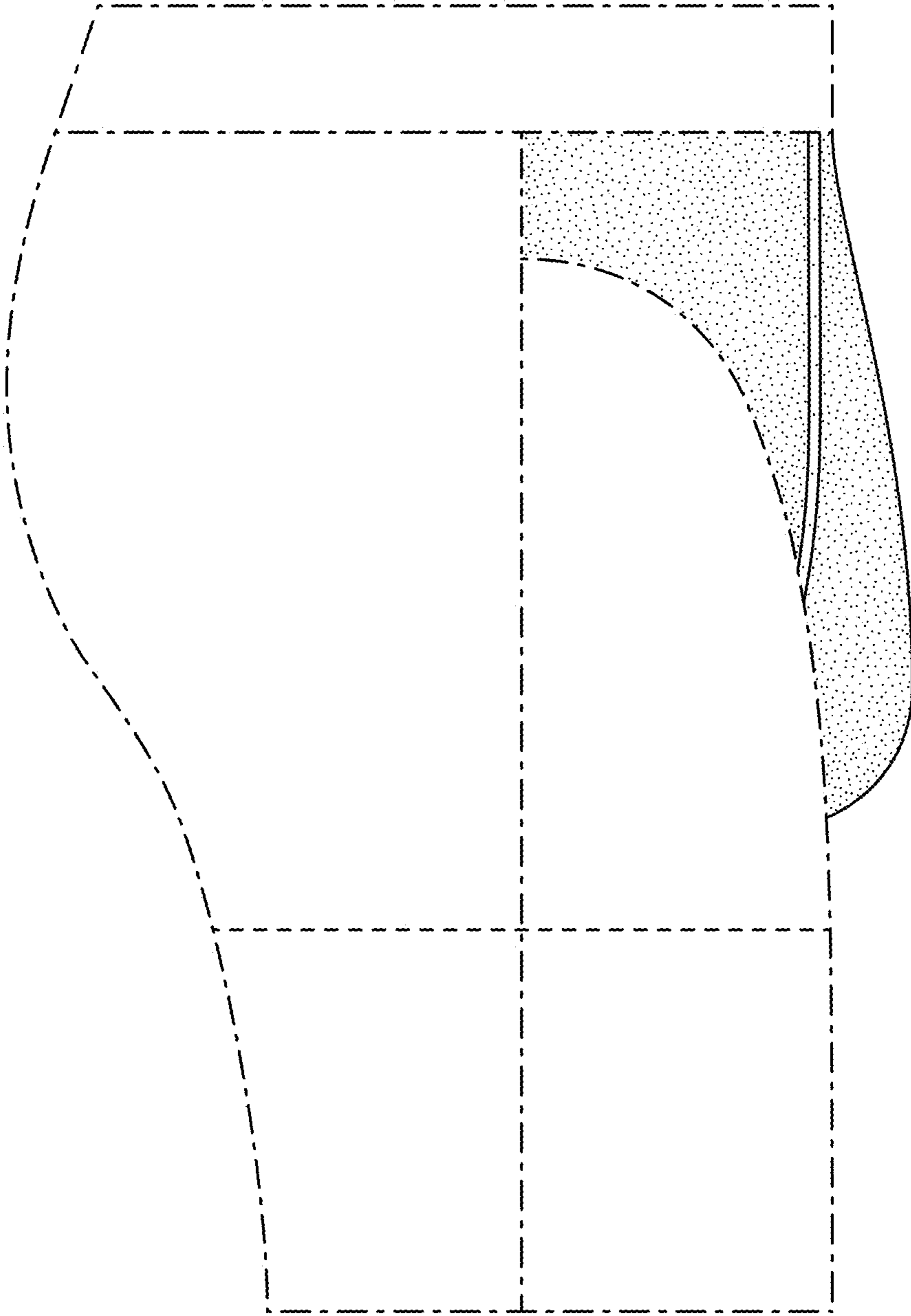


FIG. 4

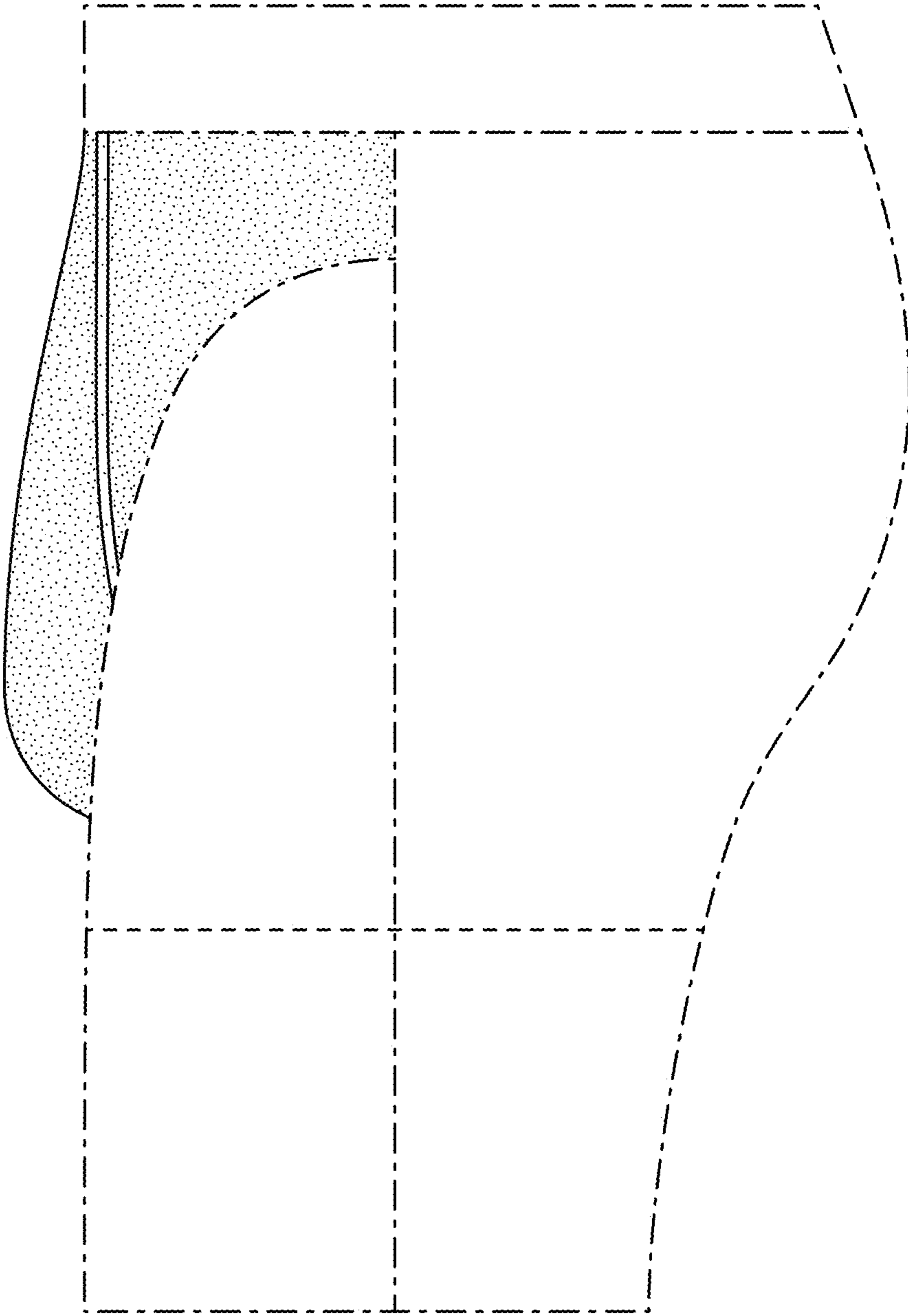


FIG. 5

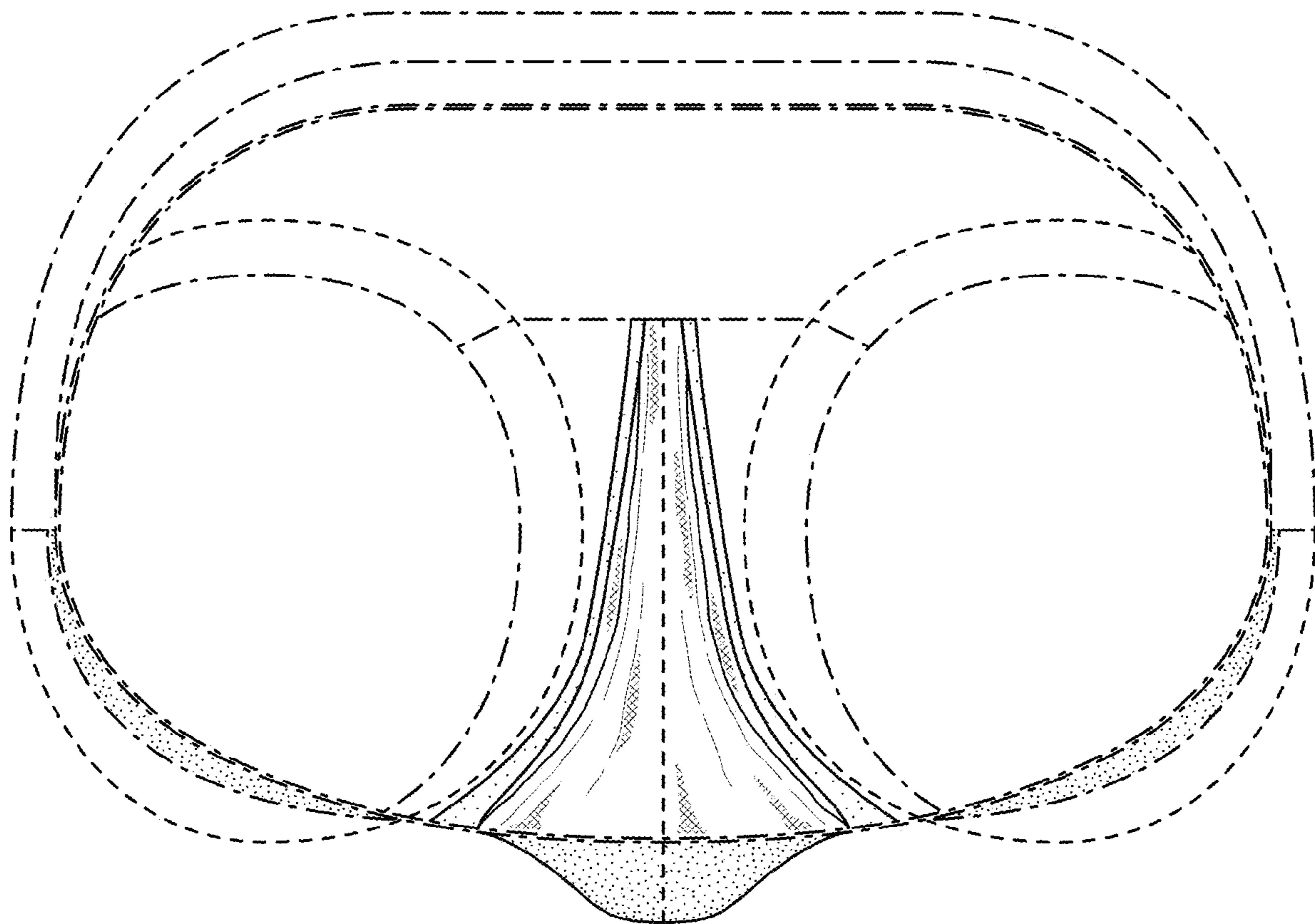


FIG. 6

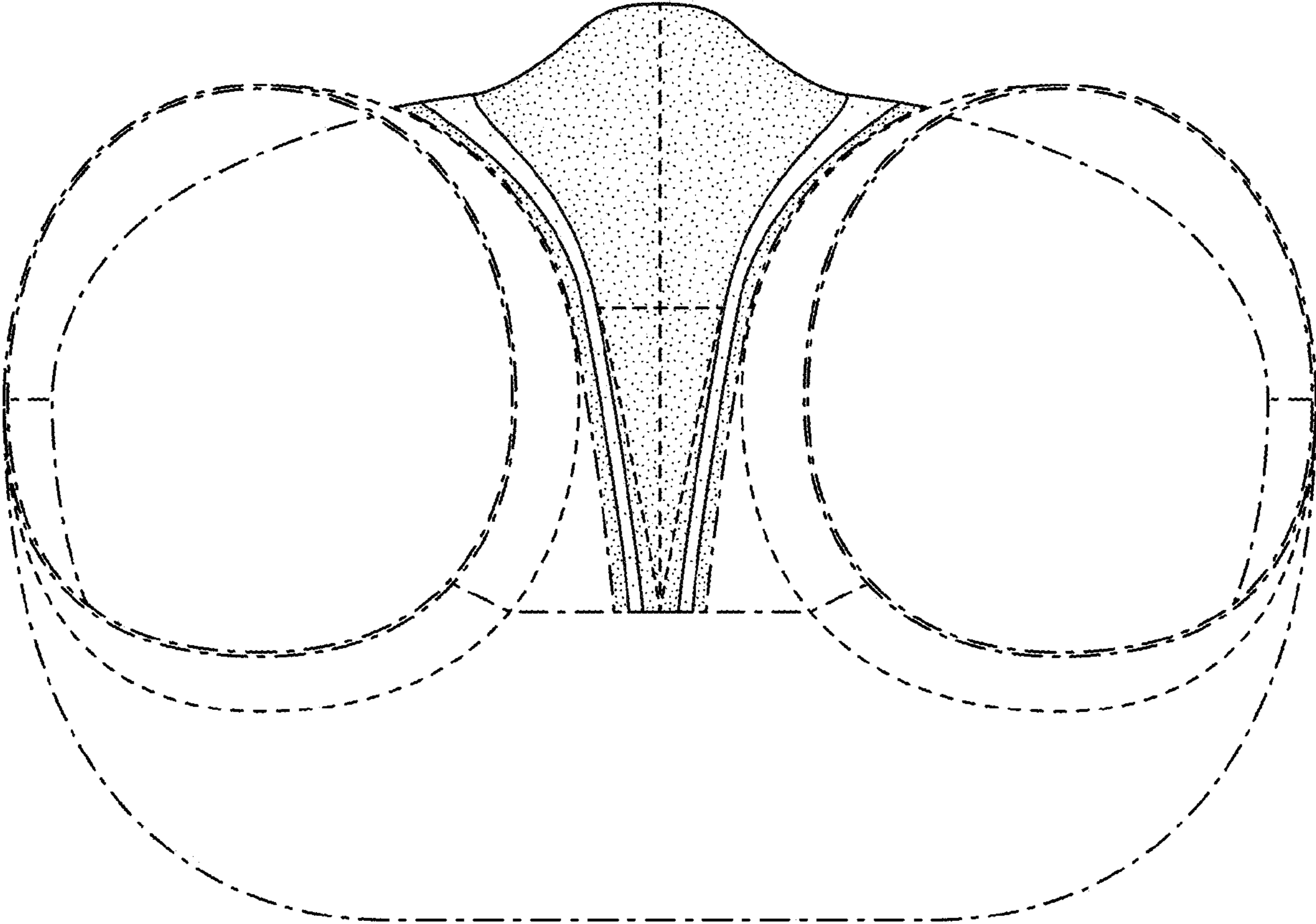


FIG. 7

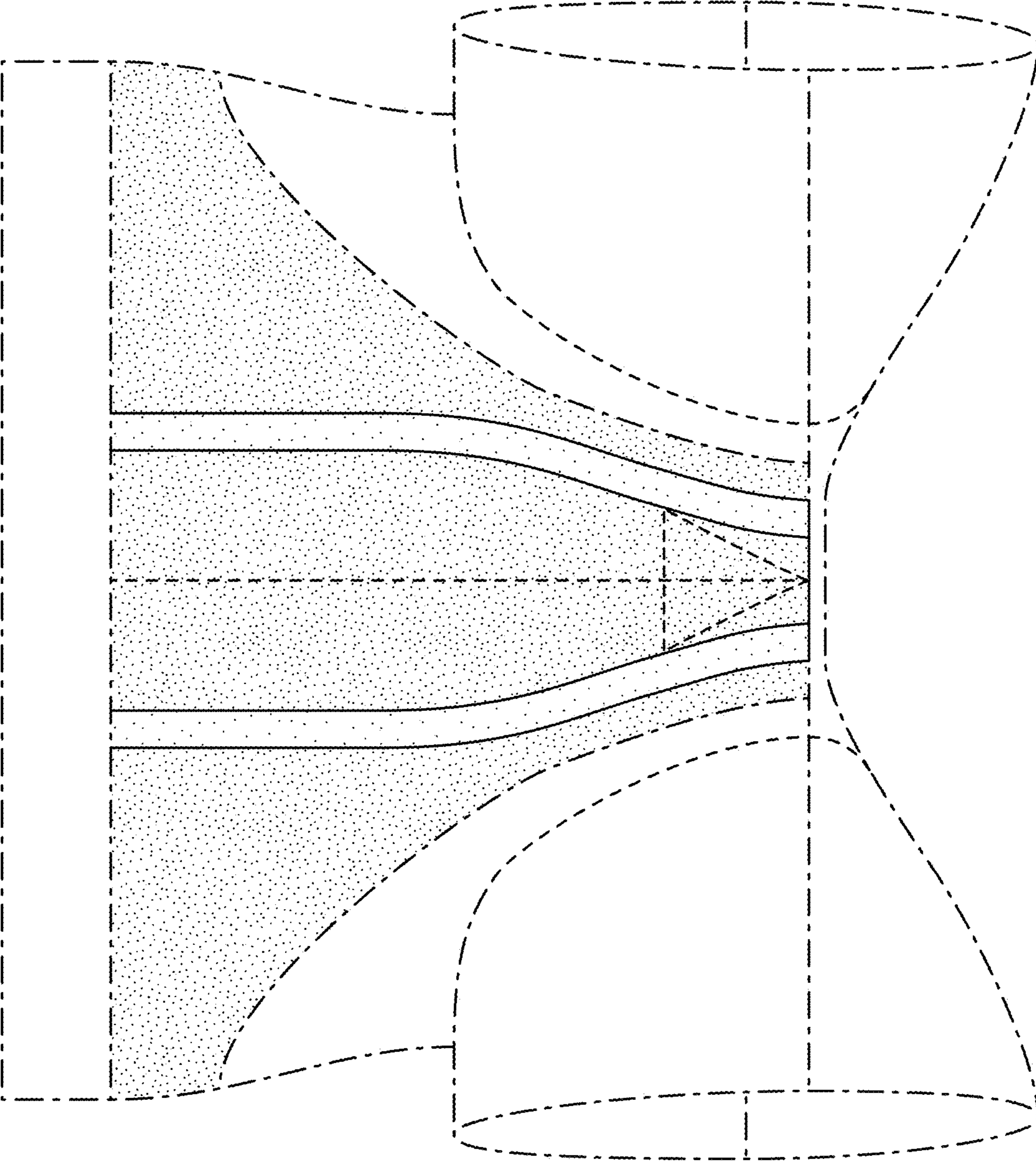


FIG. 8

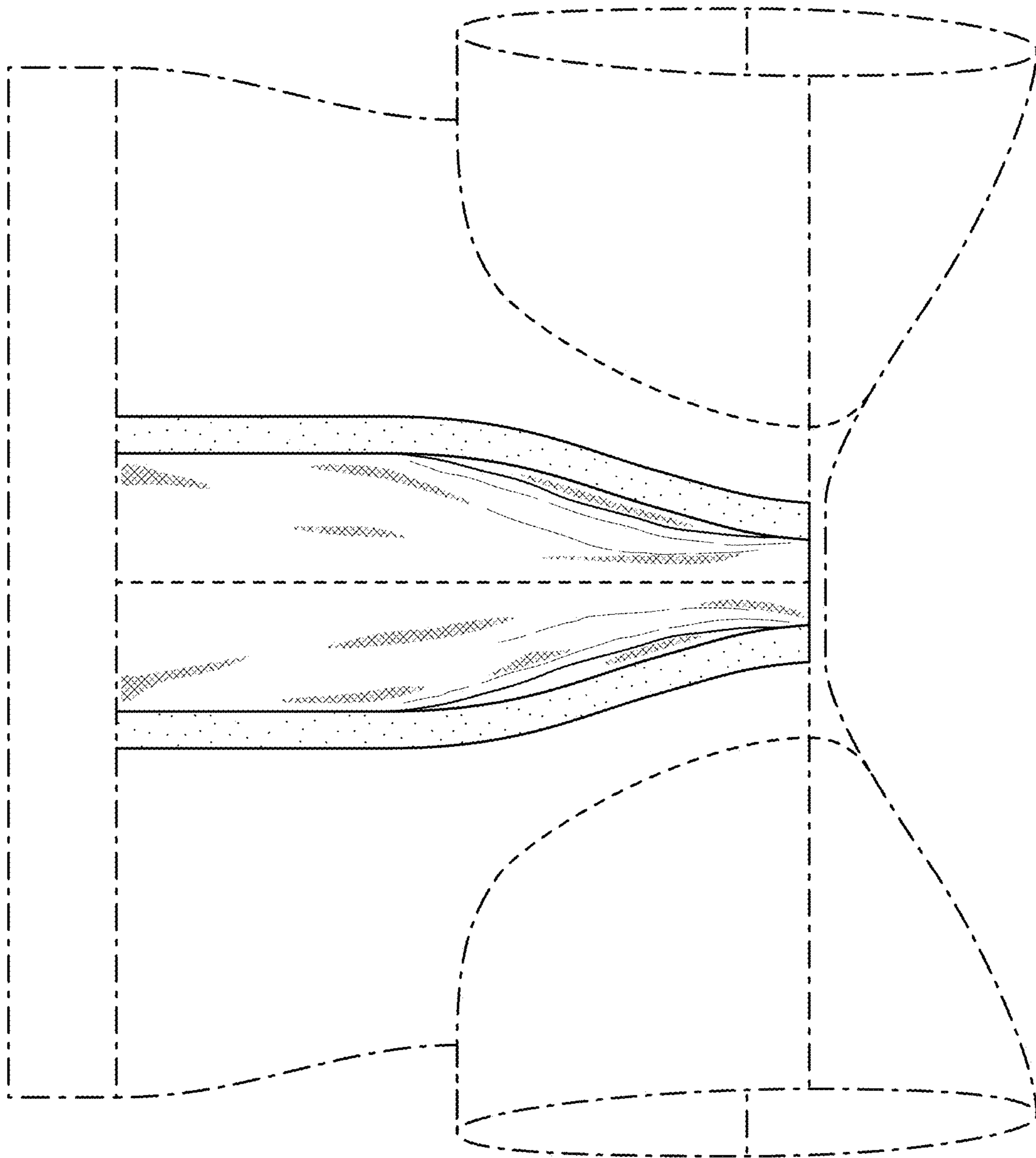


FIG. 9