



US00D988634S

(12) **United States Design Patent**
Lin

(10) **Patent No.:** **US D988,634 S**

(45) **Date of Patent:** **** Jun. 6, 2023**

(54) **MOVING TOOL CART**

(71) Applicant: **Cheng-Che Lin**, Taichung (TW)

(72) Inventor: **Cheng-Che Lin**, Taichung (TW)

(**) Term: **15 Years**

(21) Appl. No.: **29/746,162**

(22) Filed: **Aug. 12, 2020**

(51) **LOC (14) Cl.** **12-02**

(52) **U.S. Cl.**
USPC **D34/23**

(58) **Field of Classification Search**
USPC D34/12, 14, 17, 23
CPC B62B 1/18; B62B 1/20; B62B 1/2208;
B62B 1/002; B62B 1/10; B62B 1/14;
B62B 1/204; B62B 1/22; B62B 1/00;
B62B 1/16; B62B 1/206; B62B 3/02;
B44D 3/04; B44D 3/125; B44D 3/126;
B44D 3/14

See application file for complete search history.

D917,823 S * 4/2021 Cutler D34/23
D946,231 S * 3/2022 Bolton D34/23
D946,857 S * 3/2022 Marshall, III D34/12
2006/0028819 A1 * 2/2006 Shankland B25H 5/00
362/253
2007/0210547 A1 * 9/2007 Ellis B44D 3/14
280/79.2
2009/0302563 A1 * 12/2009 Thibault B62B 3/104
280/727
2017/0166229 A1 * 6/2017 Camargo B62B 1/12
2018/0257424 A1 * 9/2018 Robertson B44D 3/126
2020/0016924 A1 * 1/2020 Burke B44D 3/126
2021/0146984 A1 * 5/2021 Baldrige B62B 3/022
2022/0363301 A1 * 11/2022 Sholeen B44D 3/126

* cited by examiner

Primary Examiner — Cynthia Ramirez

(74) *Attorney, Agent, or Firm* — Alan D. Kamrath; Karin L. Williams; Mayer & Williams PC

(57) **CLAIM**

The ornamental design for a moving tool cart, as shown and described.

DESCRIPTION

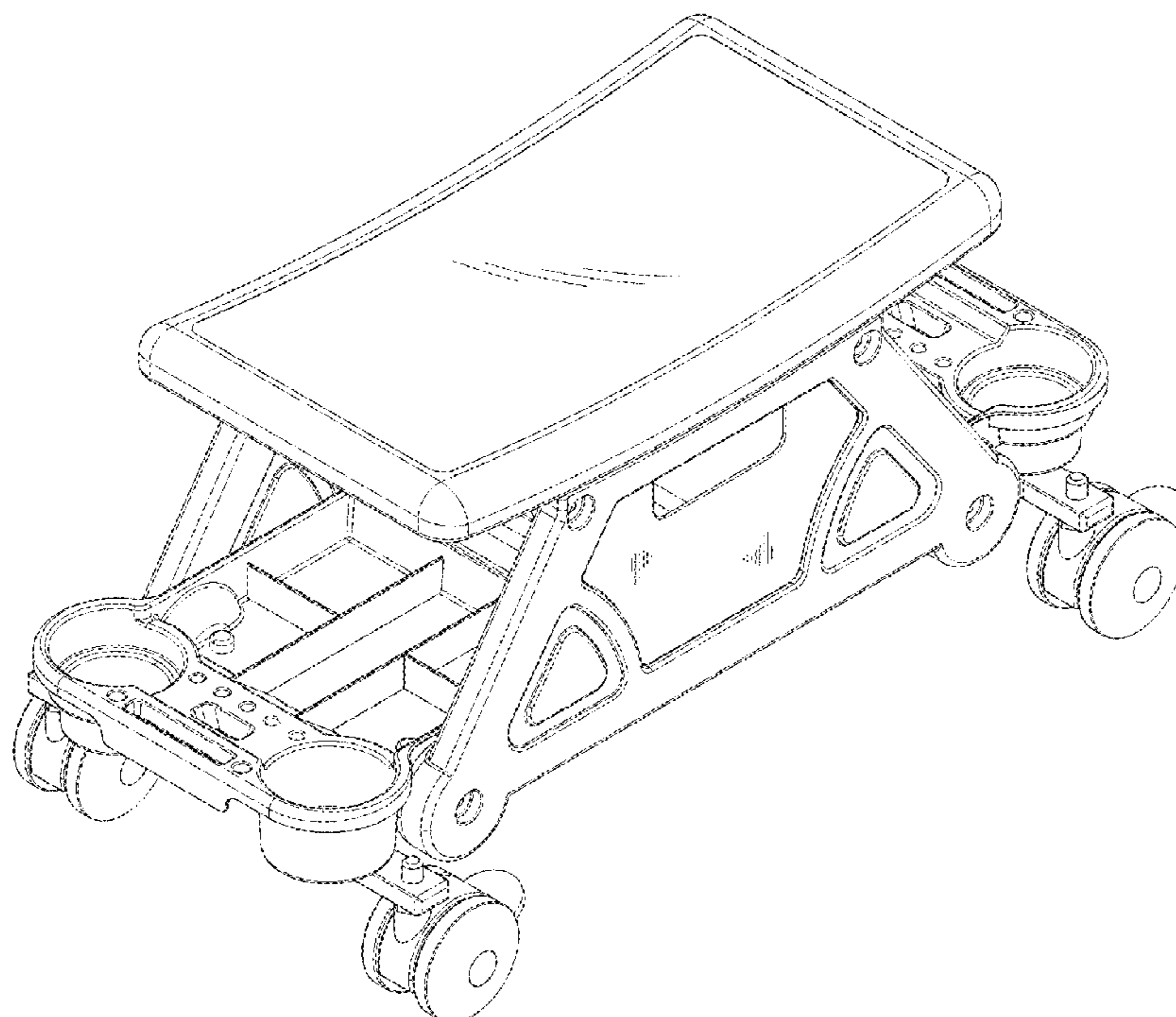
FIG. 1 is a perspective view of a moving tool cart showing my design.
FIG. 2 is a front elevational view thereof.
FIG. 3 is a rear elevational view thereof.
FIG. 4 is a left side elevational view thereof.
FIG. 5 is a right side elevational view thereof.
FIG. 6 is a top plan view thereof; and,
FIG. 7 is a bottom plan view thereof.
The broken lines show portions of the moving tool cart which form no part of the claimed design.

1 Claim, 7 Drawing Sheets

(56) **References Cited**

U.S. PATENT DOCUMENTS

3,547,288 A * 12/1970 Butler B62B 1/14
414/458
3,780,881 A * 12/1973 Friel B65H 29/66
414/778
7,815,215 B1 * 10/2010 Lowe B62B 5/0003
280/47.35
D628,386 S * 12/2010 Kohn D3/313
8,708,168 B2 * 4/2014 Lin B25H 1/0042
280/47.35
9,186,736 B1 * 11/2015 Chang B62B 1/10



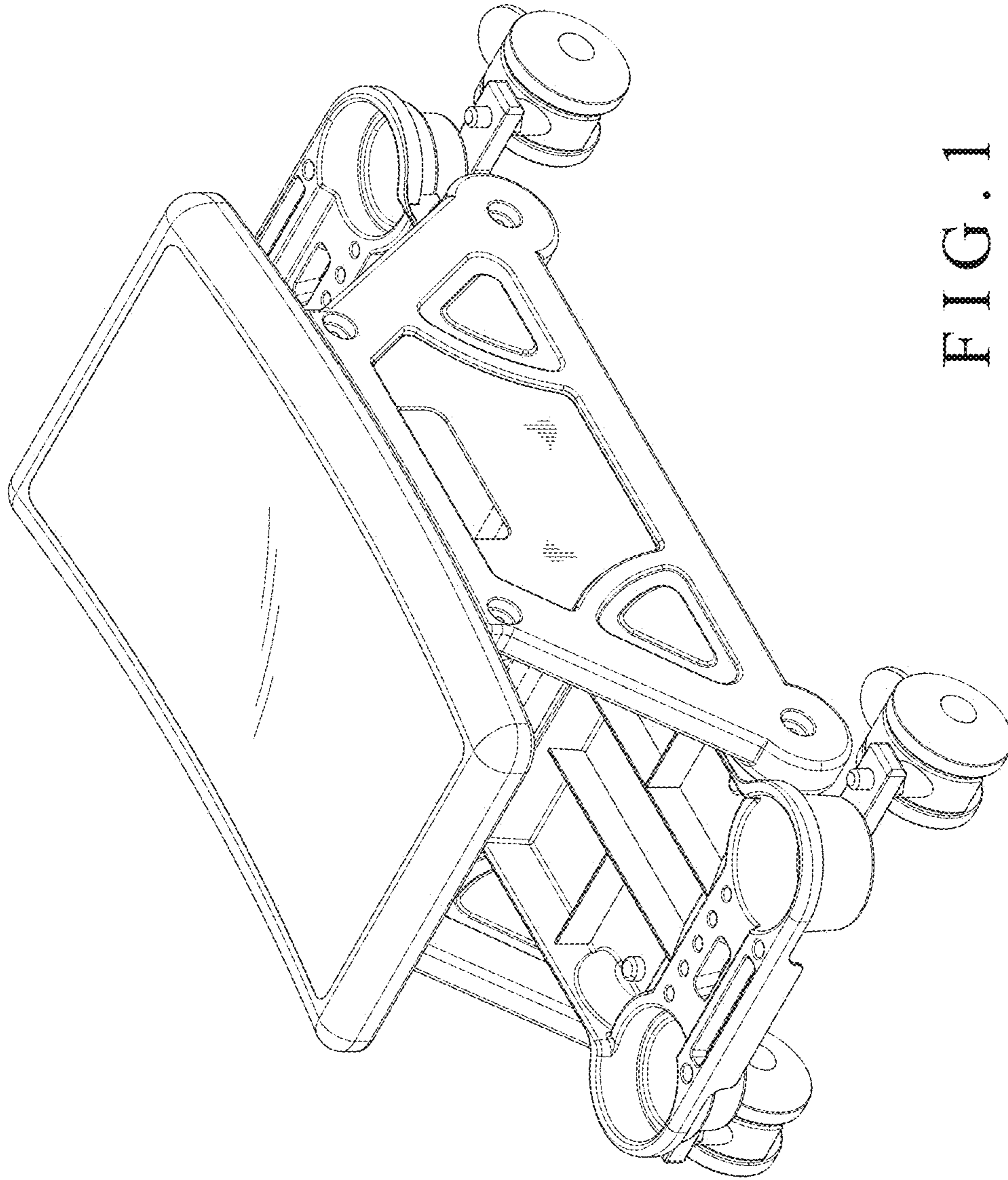


FIG. 1

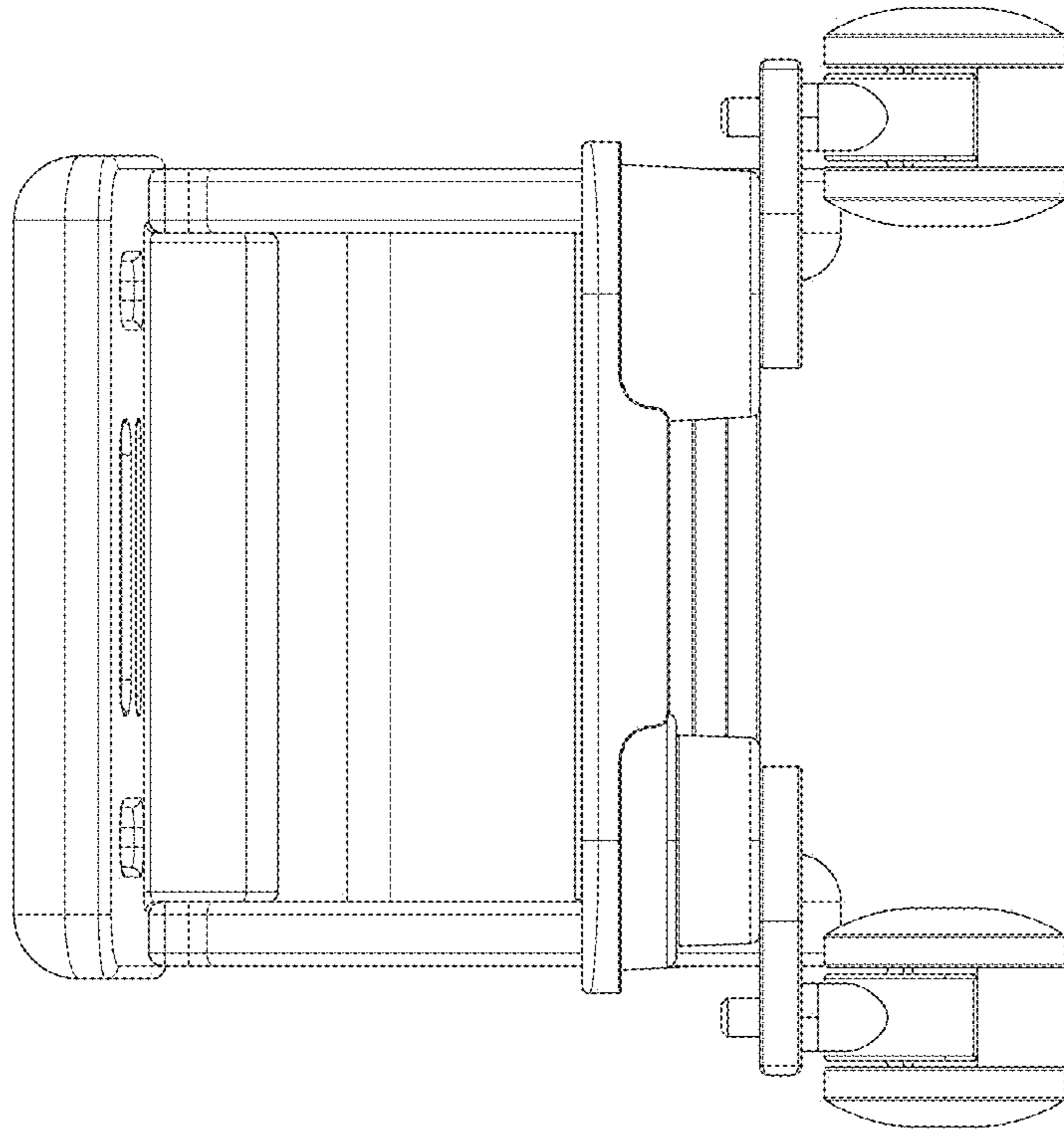


FIG. 2

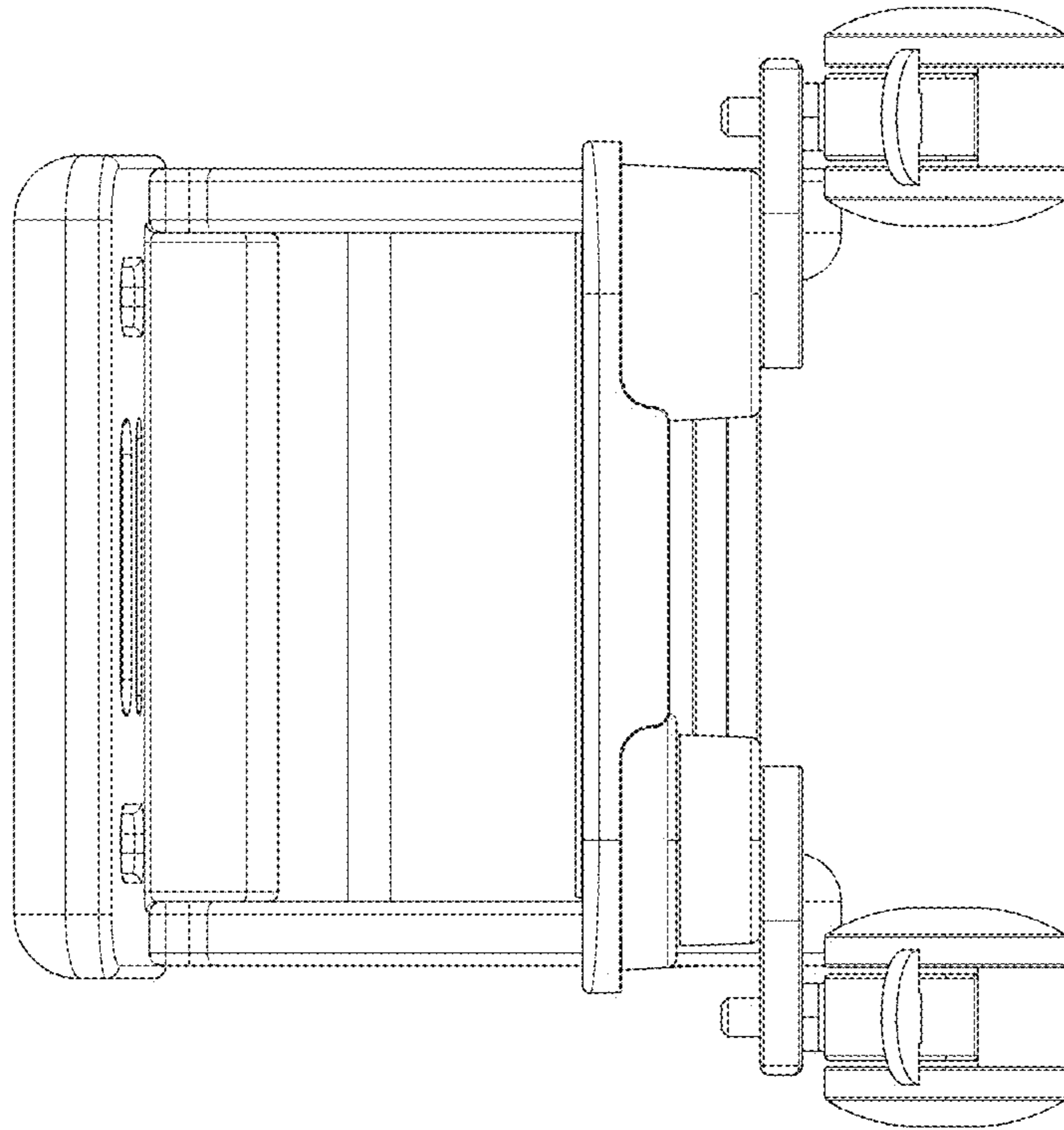


FIG. 3

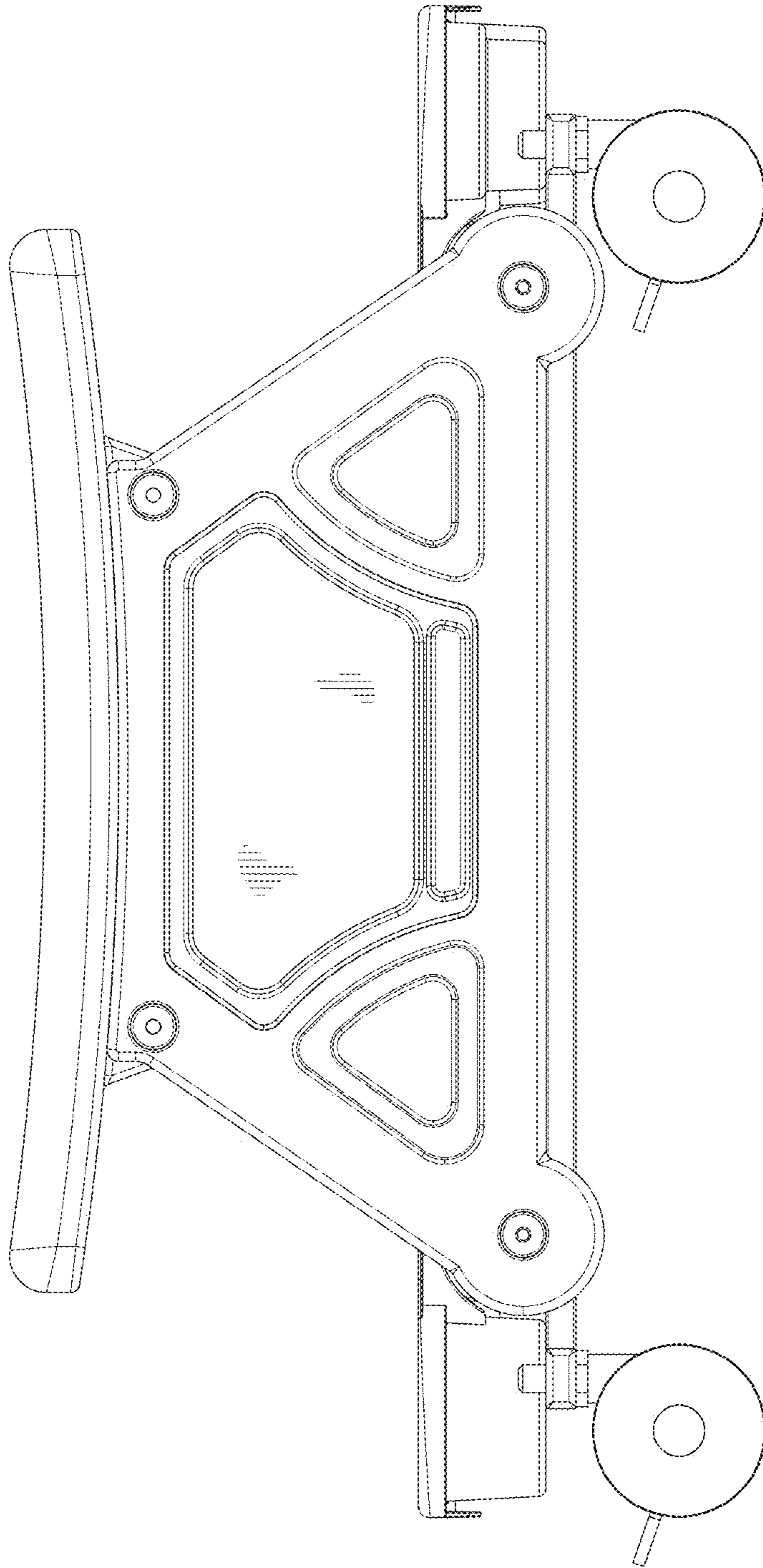


FIG. 4

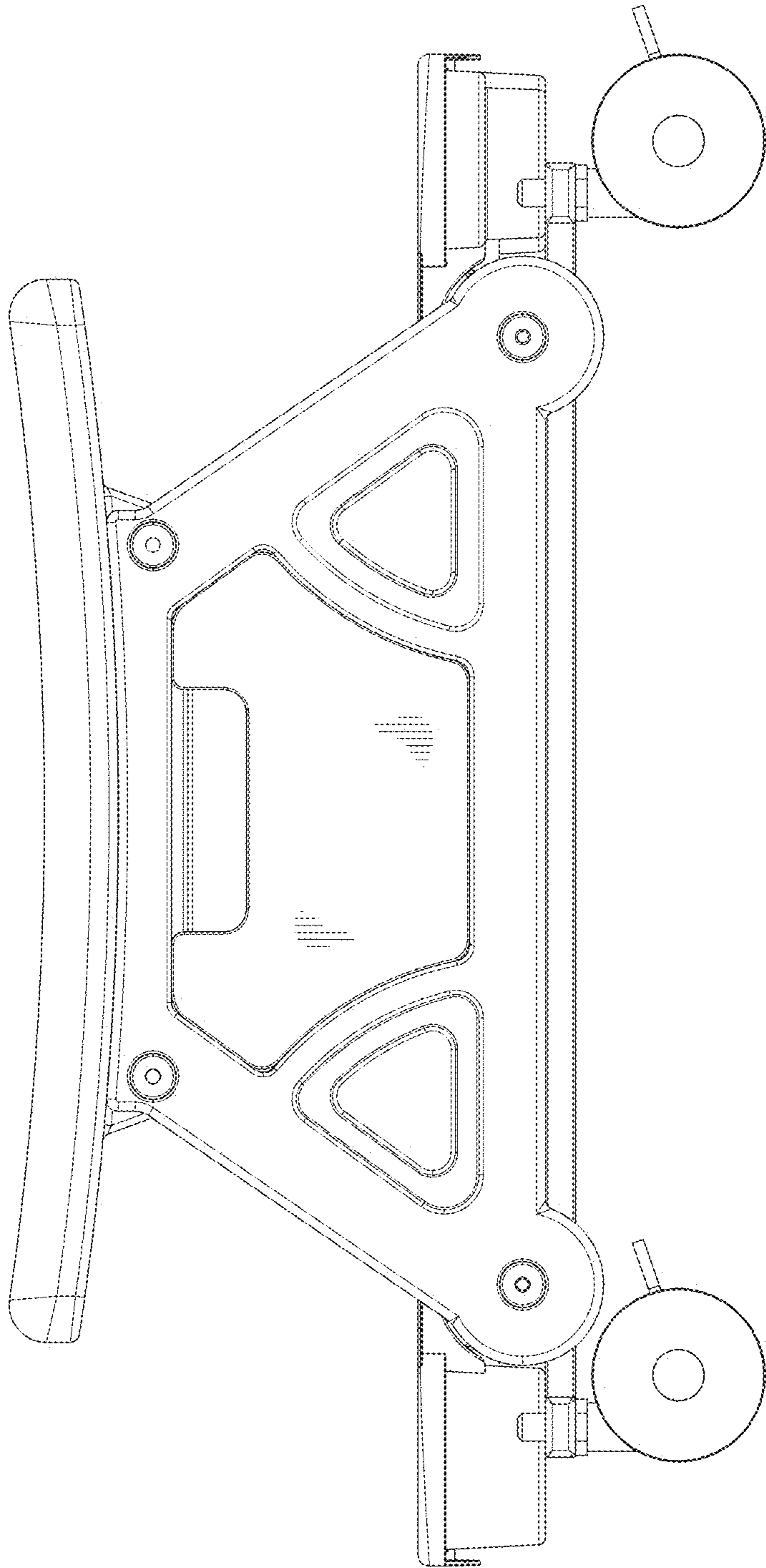


FIG. 5

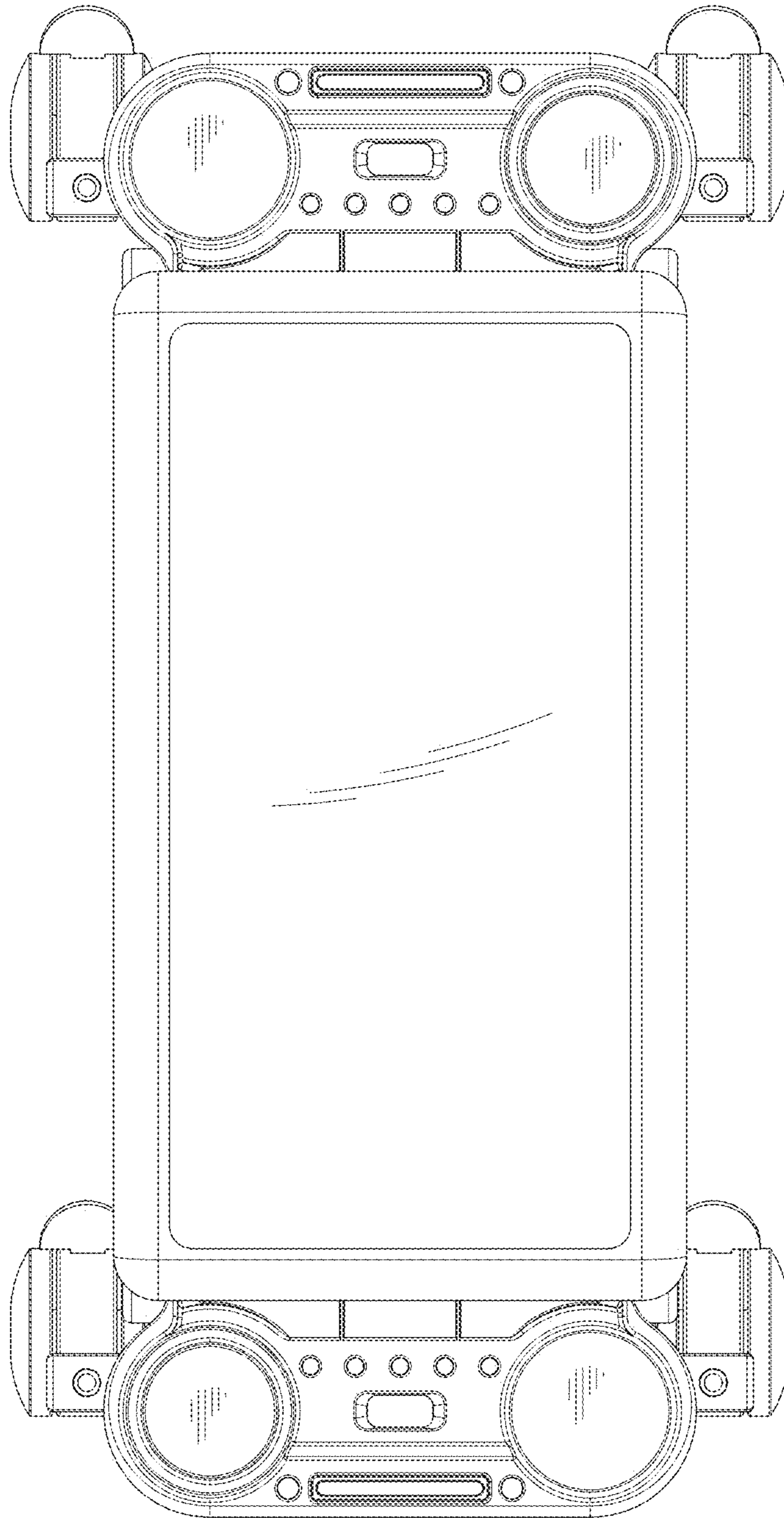


FIG. 6

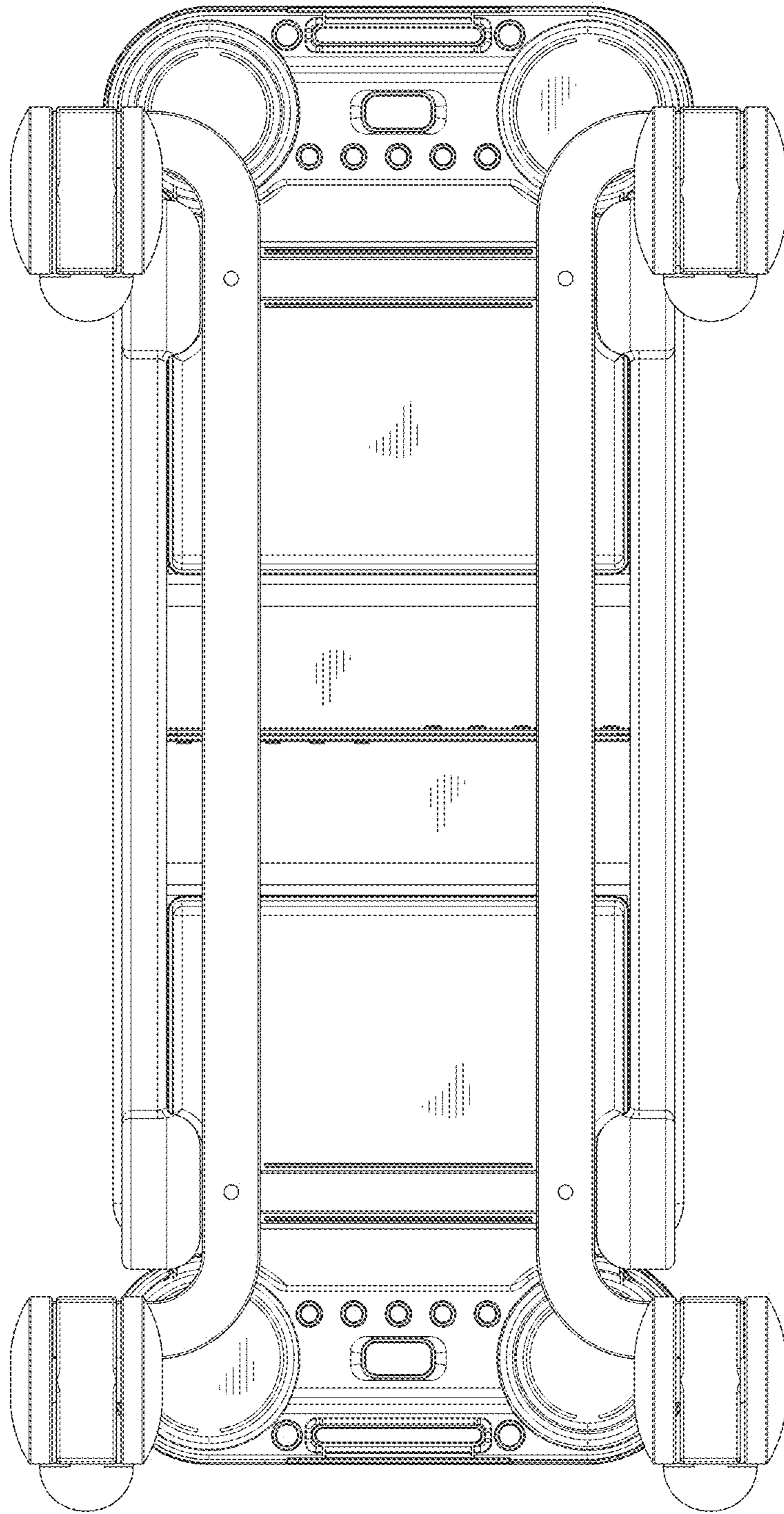


FIG. 7