



US00D988632S

(12) **United States Design Patent** (10) **Patent No.:** **US D988,632 S**  
**Labrecque et al.** (45) **Date of Patent:** **\*\* Jun. 6, 2023**

(54) **CONTAINER**

FOREIGN PATENT DOCUMENTS

(71) Applicant: **IPL INC.**, St-Damien (CA)

CA 89297 S 4/2000  
CA 99947 S 7/2003

(72) Inventors: **Jean-Gabriel Labrecque**,  
St-Damien-de-Buckland (CA); **Bryant Conder**,  
New Albany, IN (US); **Roch Nolet**,  
St-Joseph (CA)

(Continued)

(\*\*) Term: **15 Years**

(21) Appl. No.: **29/743,524**

(22) Filed: **Jul. 22, 2020**

(51) **LOC (14) Cl.** ..... **09-09**

(52) **U.S. Cl.**  
USPC ..... **D34/5**

(58) **Field of Classification Search**  
USPC ..... D34/5, 6  
CPC ..... B65F 1/06; B65F 1/067; B65F 1/1607;  
B65F 1/163

See application file for complete search history.

OTHER PUBLICATIONS

Home Depot.com, Google search Jan. 5, 2022, 50 Gal. Blue Rolling  
Trash Can with attached lid, <https://www.homedepot.com/p/Carlisle-50-Gal-Blue-Rolling-Trash-Can-with-Attached-Lid-2-Pack-34505014/203883691> (Year: 2022).\*

(Continued)

*Primary Examiner* — Cynthia Ramirez

(74) *Attorney, Agent, or Firm* — Lavery, De Billy, LLP;  
Gwendoline Bruneau

(56) **References Cited**

U.S. PATENT DOCUMENTS

D281,284 S \* 11/1985 Reuter ..... D34/5  
D292,638 S \* 11/1987 Carville ..... D34/5  
4,836,394 A \* 6/1989 Glomski ..... B65F 1/1646  
220/263  
D313,491 S \* 1/1991 Edelhoff ..... D34/5  
D323,912 S \* 2/1992 Delmerico ..... D34/5  
D347,095 S \* 5/1994 Apps ..... D34/5  
5,356,027 A \* 10/1994 Craft ..... B65F 1/1646  
16/257  
D355,741 S \* 2/1995 Craft ..... D34/1  
D365,428 S \* 12/1995 Prout ..... D34/5  
D388,577 S \* 12/1997 Rehrig ..... D34/5  
D398,120 S \* 9/1998 Rehrig ..... D34/5  
D416,367 S \* 11/1999 Dickinson ..... D34/5  
D445,228 S \* 7/2001 Apps ..... D34/25  
6,276,557 B1 \* 8/2001 Wysocki ..... B65F 1/02  
220/608

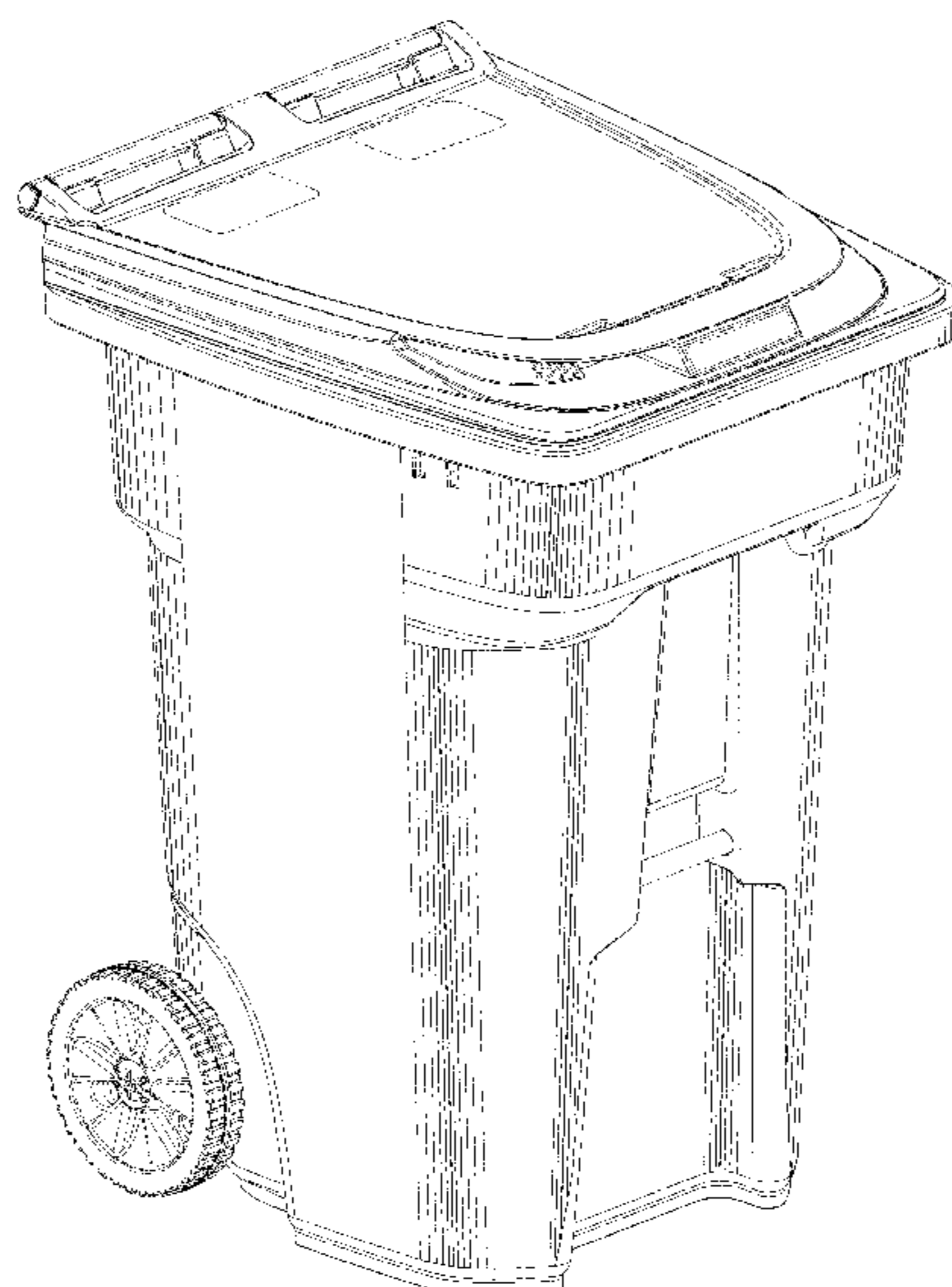
(Continued)

**DESCRIPTION**

FIG. 1 is a perspective view of the container;  
FIG. 2 a top view of the container of FIG. 1;  
FIG. 3 is a side of the container of FIG. 1;  
FIG. 4 is a view of the other side of the container of FIG. 1;  
FIG. 5 is a front view of the container of FIG. 1;  
FIG. 6 is a rear view of the container of FIG. 1;  
FIG. 7 is a bottom view of the container of FIG. 1; and,  
FIG. 8 is a cross sectional view taken along lines 8-8 in FIG. 2.

The broken lines in the figures are included for the purpose of illustrating portions of the container which form no part of the claimed design. The dash dot lines in FIG. 2 demarcate cross-section and form no part of the claimed design.

**1 Claim, 8 Drawing Sheets**



(56)

References Cited

U.S. PATENT DOCUMENTS

6,328,320 B1 12/2001 Walski et al.  
D471,336 S \* 3/2003 Tuduri ..... D34/5  
D473,563 S 4/2003 Russell  
6,607,199 B2 8/2003 Gruber  
D491,328 S 6/2004 Aiken et al.  
6,758,366 B2 7/2004 Bourgund et al.  
6,857,642 B2 2/2005 Gruber  
7,017,773 B2 3/2006 Gruber et al.  
7,114,631 B2 \* 10/2006 Aiken ..... B65F 1/1468  
220/766  
D535,448 S \* 1/2007 Kilduff ..... D34/5  
7,172,088 B2 2/2007 McDade et al.  
D568,022 S \* 4/2008 Bureau ..... D34/5  
D577,170 S \* 9/2008 Meers ..... D34/5  
D594,169 S \* 6/2009 Connor ..... D34/5  
D624,723 S \* 9/2010 Raghunathan ..... D34/5  
D634,912 S \* 3/2011 Pouliot ..... D34/11  
D641,121 S \* 7/2011 Rampton ..... D34/5  
D643,174 S \* 8/2011 Raghunathan ..... D34/5  
8,096,565 B2 \* 1/2012 Meers ..... B65F 1/122  
280/47.26  
8,141,921 B2 3/2012 Apps et al.  
D657,106 S 4/2012 Talbot Pouliot et al.  
8,146,774 B2 \* 4/2012 Parker ..... B65F 1/1468  
220/757  
8,317,204 B2 11/2012 Meers et al.  
8,360,445 B2 1/2013 Meers et al.  
8,366,156 B2 \* 2/2013 Mercier ..... B65F 1/16  
292/80  
8,424,714 B2 \* 4/2013 Kruse ..... B65F 1/122  
220/756  
8,430,267 B2 \* 4/2013 Kilduff ..... B65F 1/122  
220/770  
8,444,228 B2 5/2013 Parker et al.  
8,449,008 B2 5/2013 Apps et al.  
8,720,686 B1 \* 5/2014 Shuman ..... B65F 1/14  
206/459.1  
D707,905 S \* 6/2014 Nolet ..... D34/5  
D707,906 S \* 6/2014 Nolet ..... D34/5  
D707,907 S \* 6/2014 Nolet ..... D34/5  
D707,908 S \* 6/2014 Nolet ..... D34/5  
8,740,228 B2 6/2014 Patterson et al.  
8,770,641 B2 7/2014 Hassell et al.  
8,881,930 B2 11/2014 Banik  
8,919,791 B2 12/2014 Foster  
9,061,693 B2 6/2015 Hassell  
9,156,588 B2 10/2015 Hassell  
9,216,855 B2 12/2015 King et al.  
9,248,964 B2 2/2016 Banik  
D753,364 S 4/2016 Labrecque et al.  
D756,052 S 5/2016 Del Rosario Roy et al.  
9,346,616 B2 5/2016 Foster  
9,365,346 B2 6/2016 McDade et al.  
D771,893 S \* 11/2016 Del Rosario Roy ..... D34/5  
9,611,071 B2 4/2017 Baltz et al.  
D789,012 S \* 6/2017 Labrecque ..... D34/5  
9,738,445 B2 8/2017 Foster

D796,765 S \* 9/2017 Uffner ..... D34/5  
9,828,177 B2 11/2017 Nussbaum et al.  
9,903,141 B2 2/2018 Foster  
9,908,694 B2 3/2018 Christenson  
9,975,694 B1 5/2018 Foster  
D827,967 S \* 9/2018 Foster ..... D34/5  
D832,548 S \* 10/2018 Labrecque ..... D34/10  
10,322,849 B2 6/2019 Hassell  
D853,114 S \* 7/2019 Connor ..... D3/279  
10,370,188 B2 8/2019 Foster  
D868,410 S \* 11/2019 Schwalbach ..... D34/5  
10,464,586 B2 11/2019 Kalinowski et al.  
D919,220 S \* 5/2021 Schwalbach ..... D34/5  
D924,521 S \* 7/2021 Erlich ..... D34/5  
D936,321 S \* 11/2021 Foster ..... D34/5  
2003/0213808 A1 \* 11/2003 Berger ..... B65F 1/1473  
220/832  
2004/0074913 A1 \* 4/2004 McDade ..... B65F 1/04  
220/23.87  
2004/0206759 A1 \* 10/2004 Busch ..... B65F 1/1615  
220/315  
2013/0119625 A1 \* 5/2013 Foster ..... B65F 1/14  
280/43  
2015/0053706 A1 \* 2/2015 Nolet ..... B65F 1/12  
220/759  
2017/0240194 A1 8/2017 Kalinowski et al.  
2018/0029623 A1 2/2018 Kalinowski et al.  
2018/0162434 A1 6/2018 Kalinowski et al.  
2018/0257858 A1 9/2018 Apps et al.  
2018/0282020 A1 10/2018 Clark et al.  
2018/0304911 A1 \* 10/2018 Labrecque ..... B62B 1/12  
2018/0319589 A1 11/2018 Foster  
2019/0202633 A1 \* 7/2019 Cohan ..... B65F 1/163  
2019/0300280 A1 10/2019 Peek et al.  
2019/0367065 A1 12/2019 Kalinowski et al.  
2019/0382199 A1 \* 12/2019 Nolet ..... B65F 1/1452  
2021/0061556 A1 \* 3/2021 Miller ..... B65F 1/1473

FOREIGN PATENT DOCUMENTS

CA 104750 S 11/2005  
CA 125054 S 4/2009  
CA 125835 S 4/2009  
CA 126678 S 4/2009  
CA 2915390 C 7/2017  
EP 1323646 A1 \* 7/2003 ..... B65F 1/122

OTHER PUBLICATIONS

Lowe's.com, Google search Jan. 5, 2022, Blue Hawk 32 gallon black plastic wheeled trash can with lid, <https://www.lowes.com/pd/Blue-Hawk-32-Gallon-Black-Plastic-Wheeled-Trash-Can-with-Lid/1001429702> (Year: 2022).  
Feb. 4, 2020, 95 Gallon EnviroGuard Roll Out Cart; <https://www.rehrigpacific.com/wp-content/uploads/2018/06/PSS-DES-809-95G-EnviroGuard-ROC-REV-NC-1.pdf>.  
IPL, "Organic Option. For simple Composting", Catalog.  
IPL, "80L. The best fit for food waste collection", Catalog.

\* cited by examiner



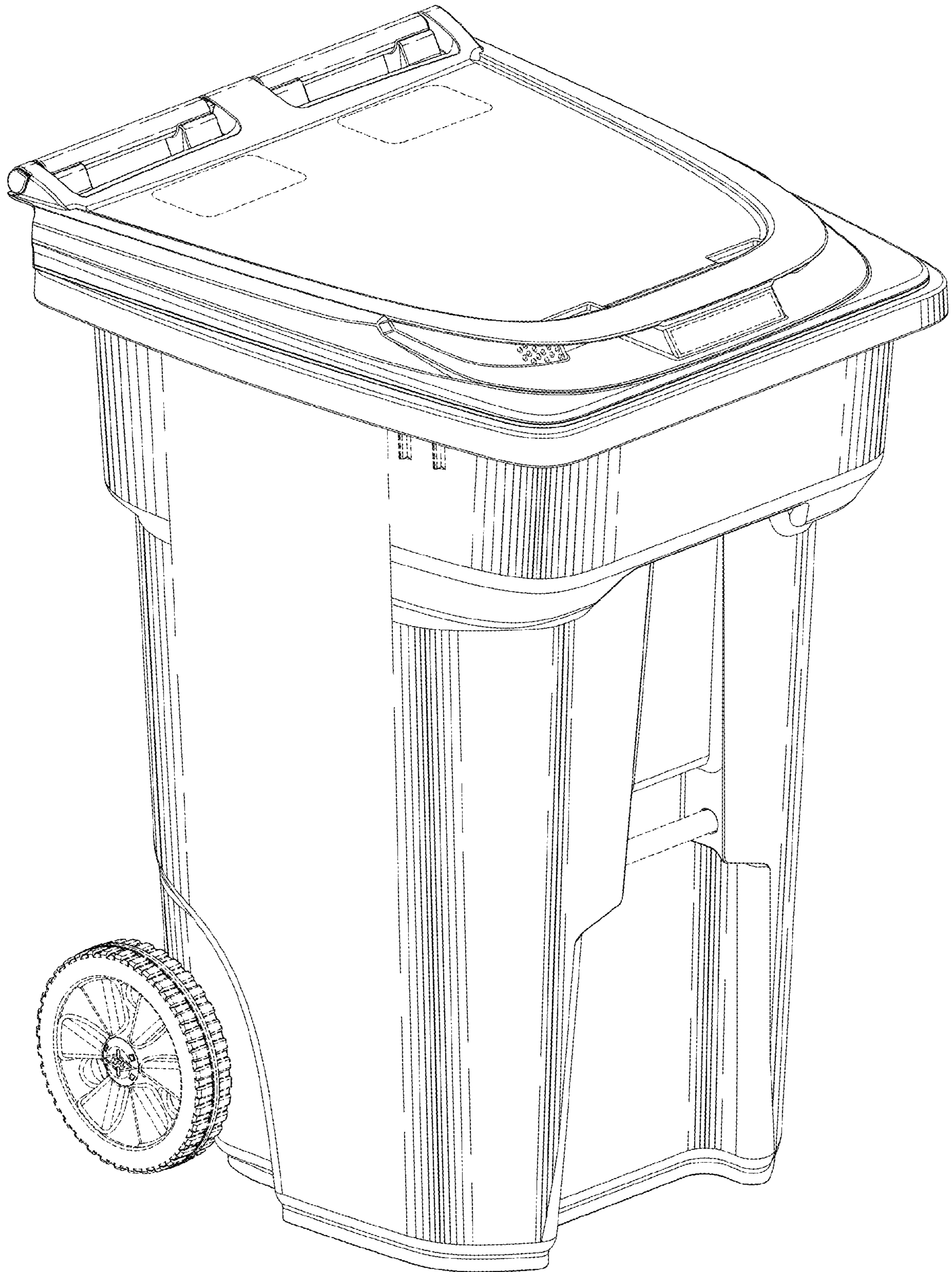


FIG. 1

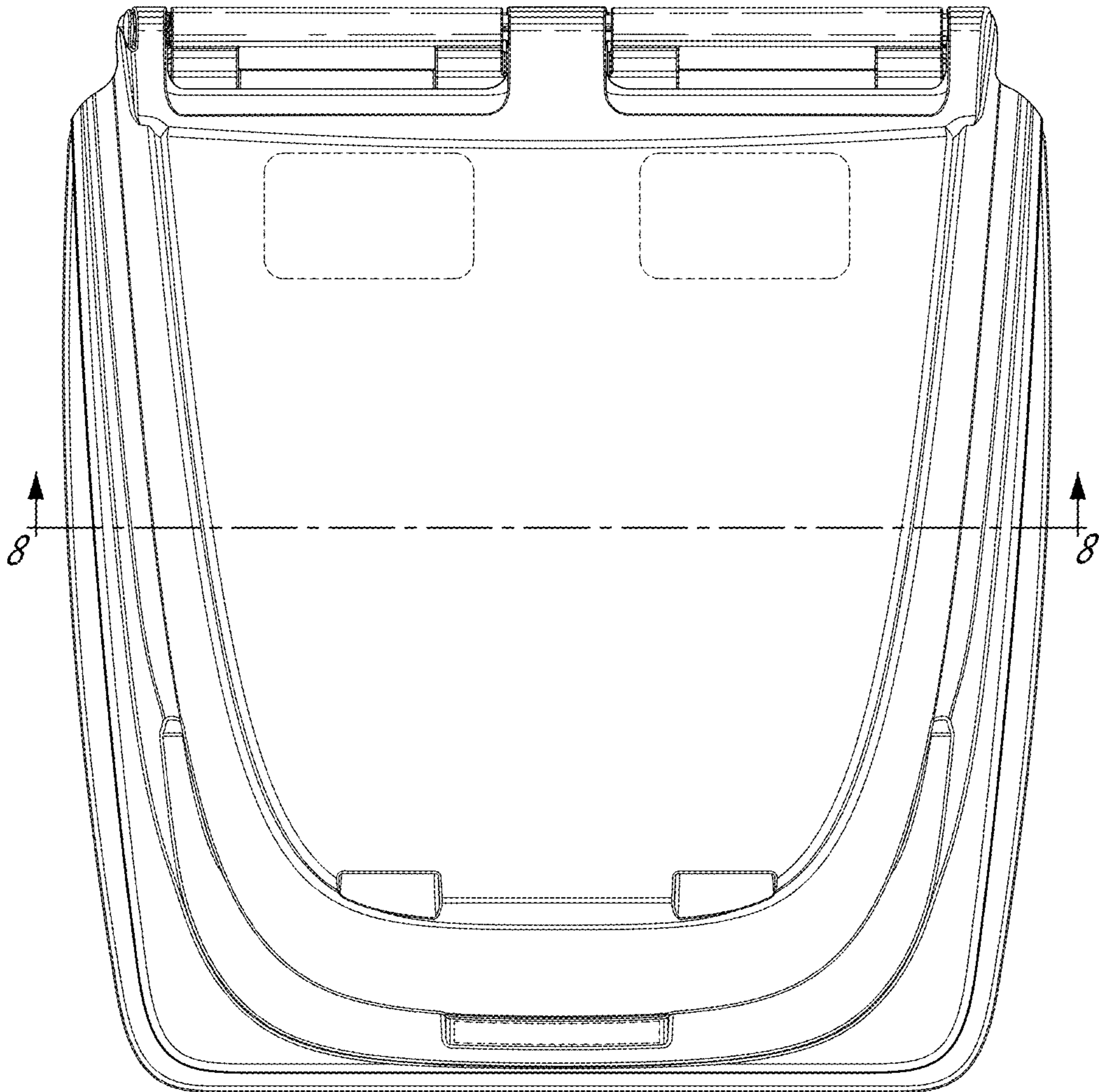


FIG. 2

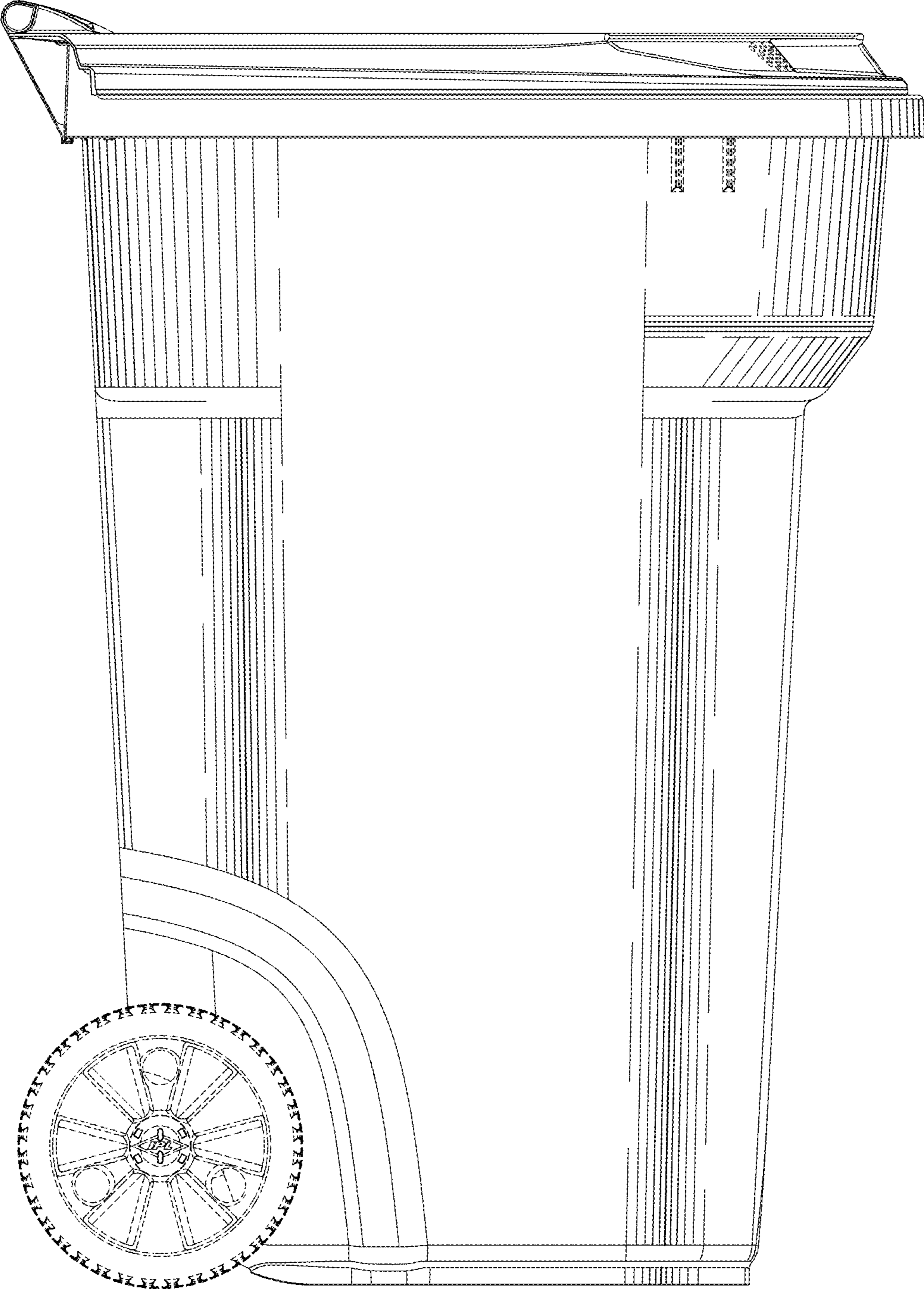


FIG. 3



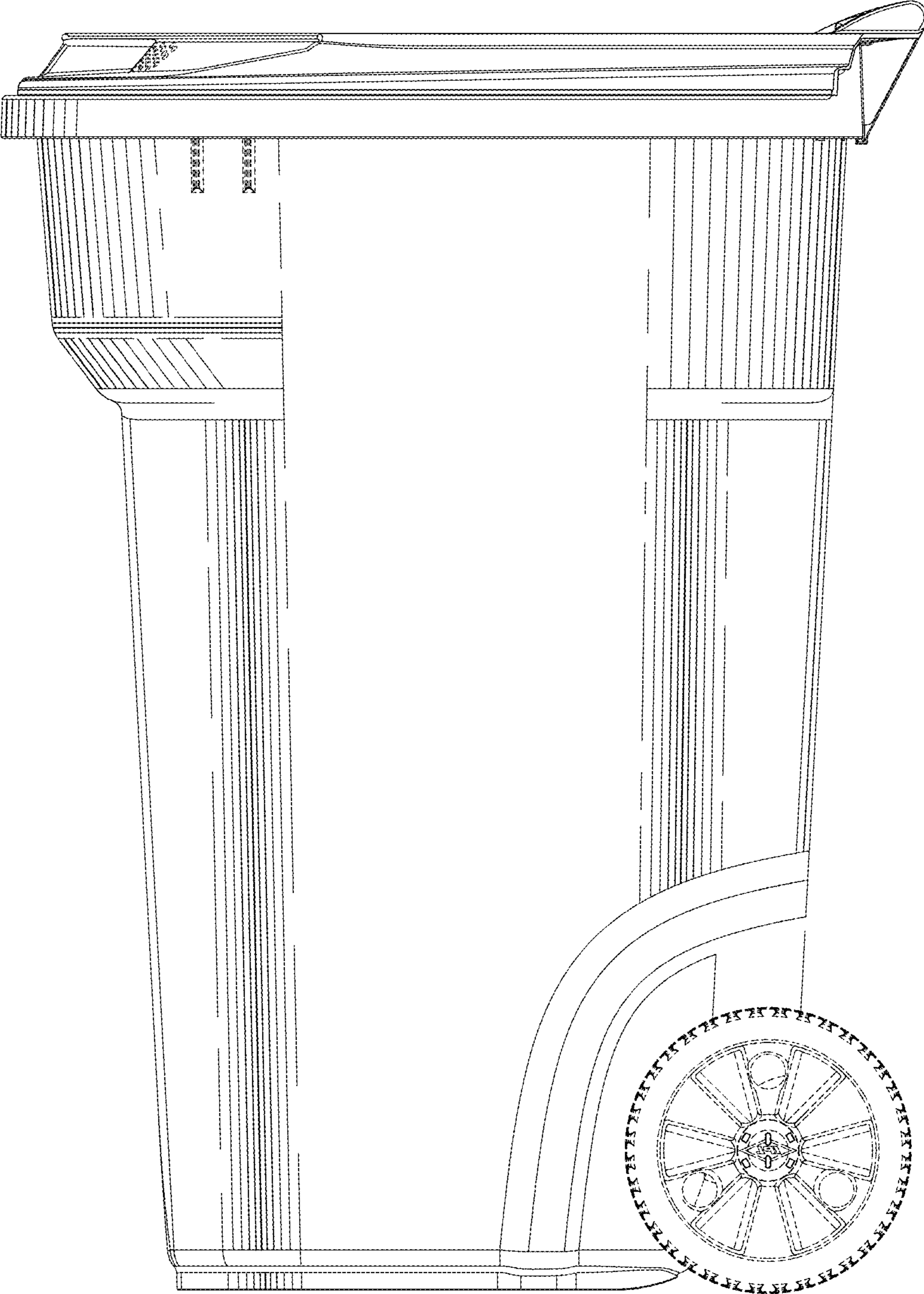


FIG. 4

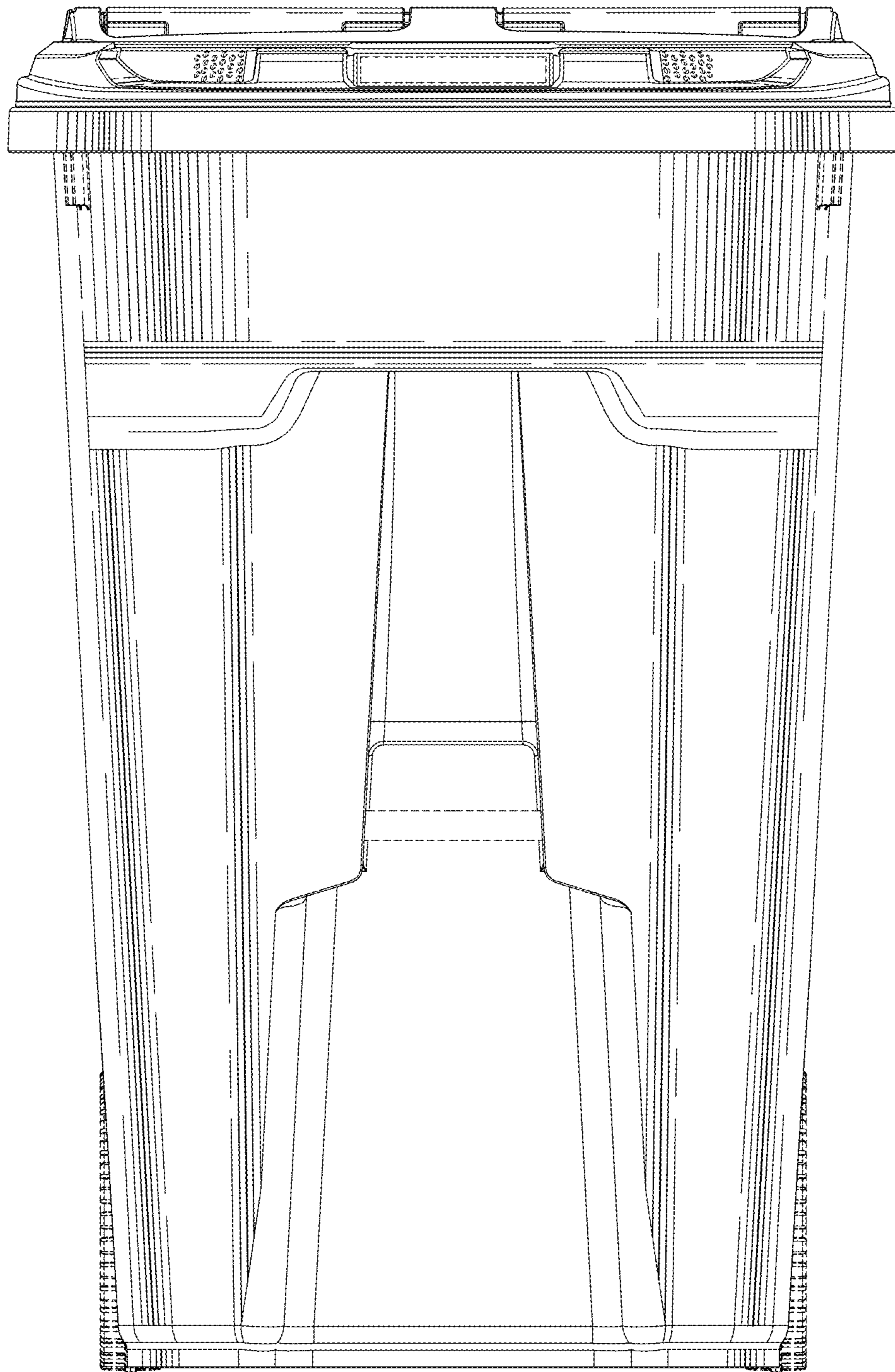
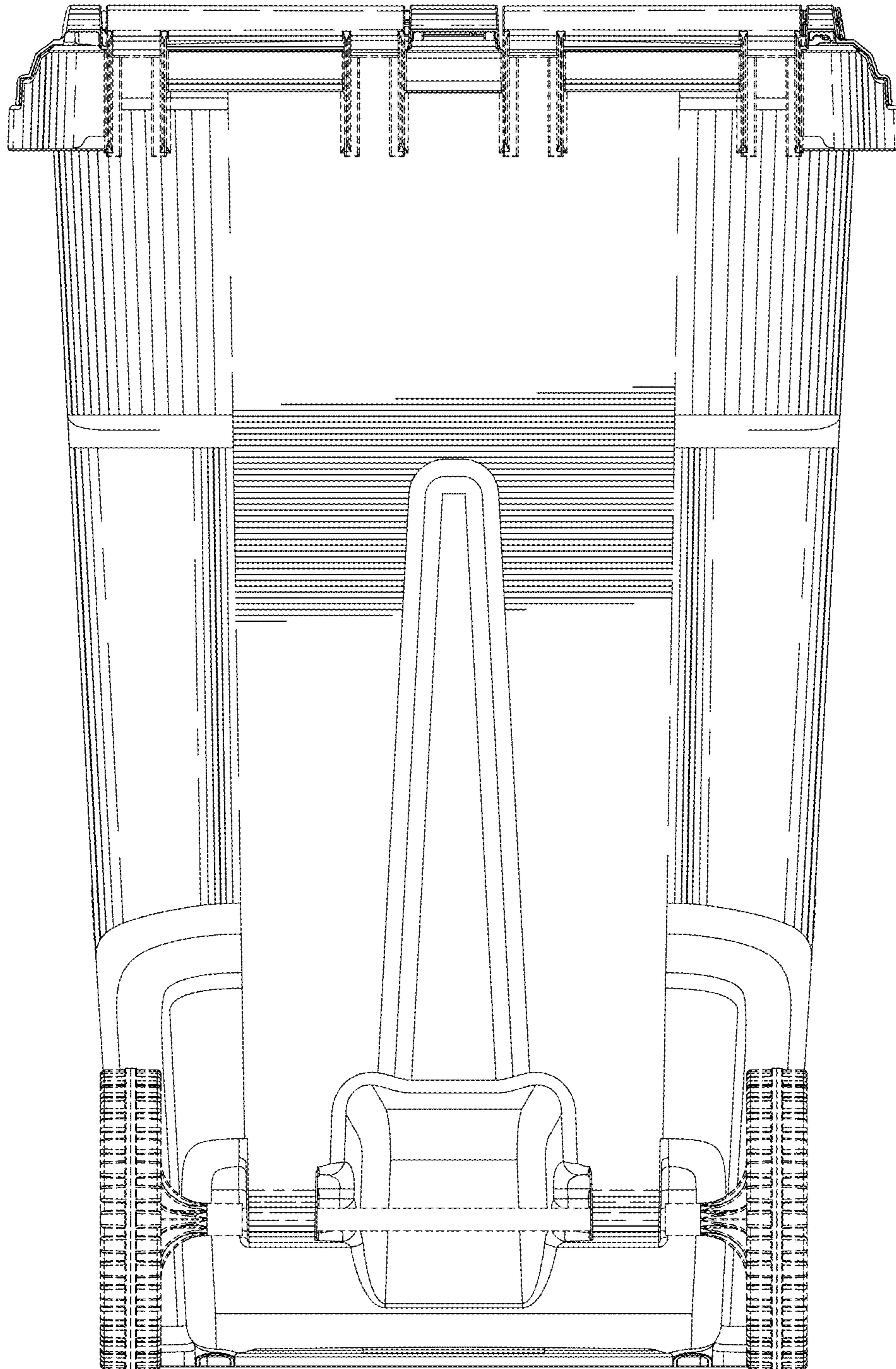


FIG. 5





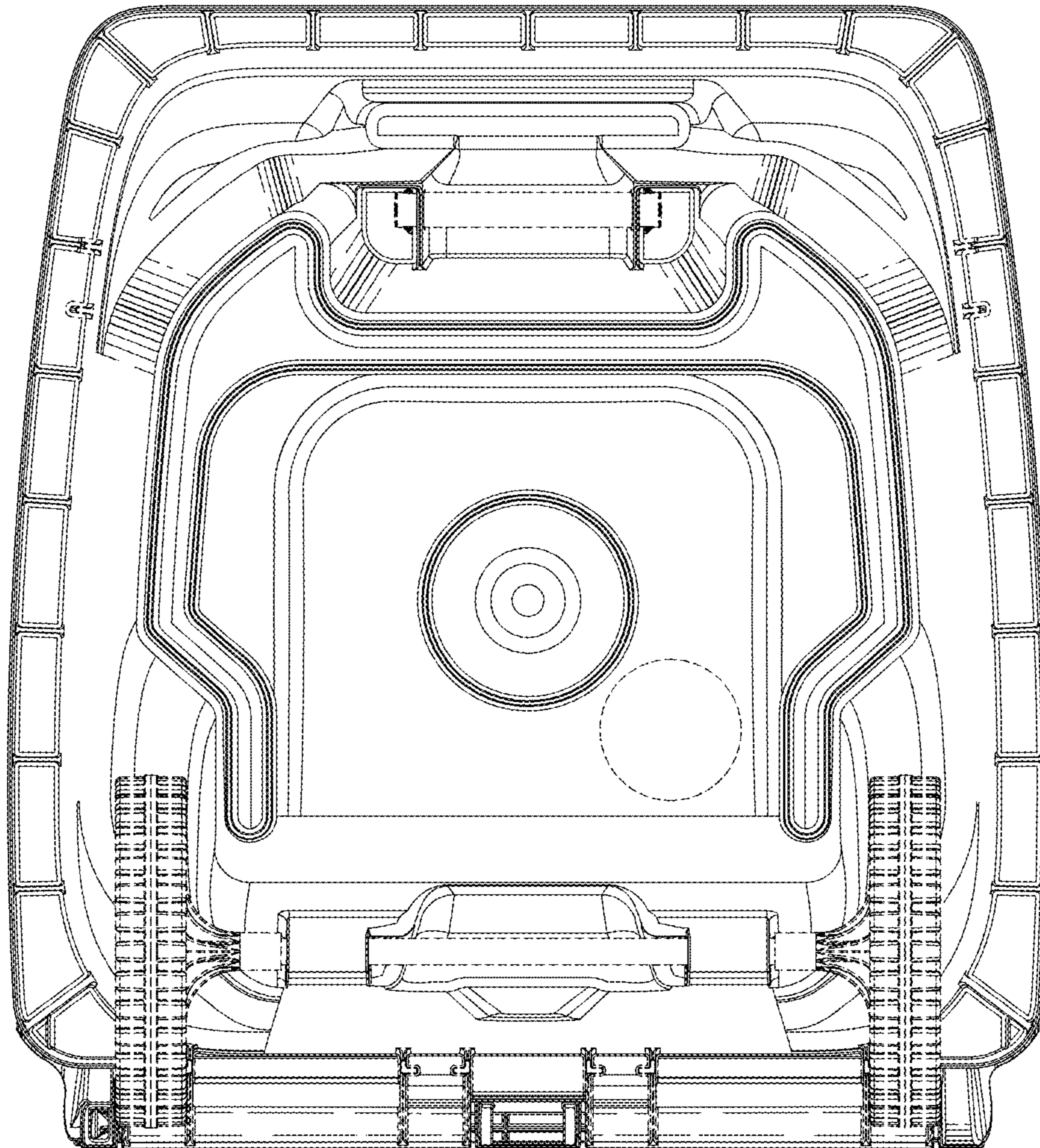


FIG. 7

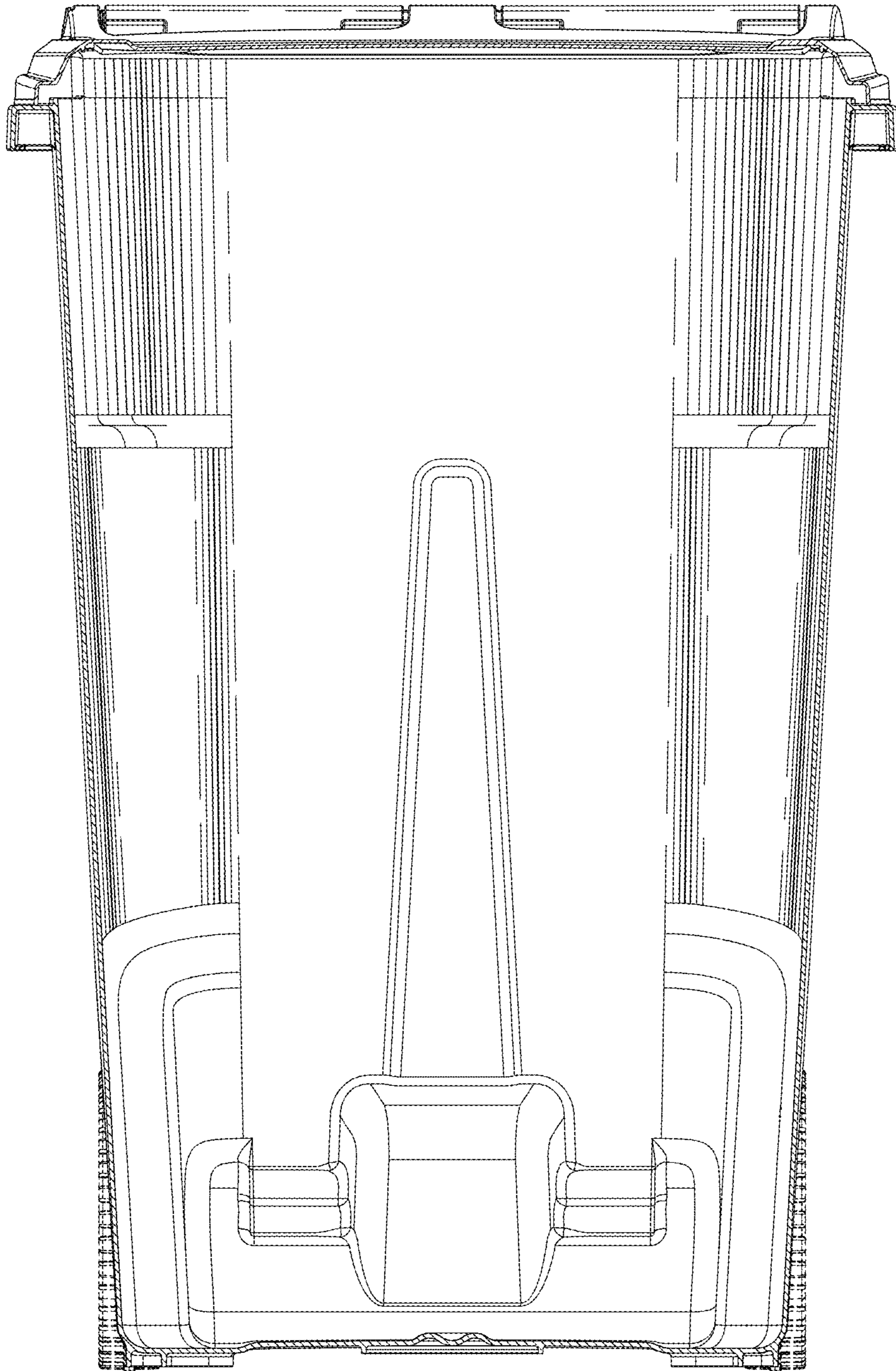


FIG. 8