



US00D988631S

(12) **United States Design Patent** (10) **Patent No.:** **US D988,631 S**  
**Patel** (45) **Date of Patent:** **\*\* Jun. 6, 2023**

(54) **CLEANING DEVICE**

(71) Applicant: **Uproot Lint LLC**, Miami, FL (US)

(72) Inventor: **Mehul Patel**, Miami, FL (US)

(73) Assignee: **UPROOT LINT LLC**, Miami, FL (US)

(\*\*) Term: **15 Years**

(21) Appl. No.: **29/854,326**

(22) Filed: **Sep. 23, 2022**

(51) **LOC (14) Cl.** ..... **07-05**

(52) **U.S. Cl.**  
USPC ..... **D32/50; D32/40**

(58) **Field of Classification Search**

USPC .... D32/1, 25, 31, 32, 35, 38-43, 46, 49-52;  
D4/118, 121-123, 131, 136-138, 199;  
D21/532

CPC ..... A46B 9/005; A46B 13/08; A46B 15/0081;  
A46B 2200/3053; A46B 5/02; A46B  
5/021; A46B 5/026; A47L 7/0066; A47L  
9/0613; A47L 13/00; A47L 13/02; A47L  
25/08; A47L 25/005; A47L 13/20; B08B  
1/00; D06F 58/22

See application file for complete search history.

(56) **References Cited**

**U.S. PATENT DOCUMENTS**

D168,256 S \* 11/1952 Faith-Ell et al. .... D32/32  
D199,023 S \* 9/1964 Auwarter ..... D32/50  
D202,169 S \* 9/1965 Van Schwartz ..... D32/50

(Continued)

**FOREIGN PATENT DOCUMENTS**

CN 306743291 \* 8/2021

**OTHER PUBLICATIONS**

Uproot Cleaner Bundle, available in <https://uprootclean.com/>, customer review oldest date Nov. 9, 2022 [online], [site visited Dec. 8,

2022], Available from the internet URL: <https://uprootclean.com/products/uproot-cleaner-bundle-2> (Year: 2022).\*

(Continued)

*Primary Examiner* — Jennifer Rivard

*Assistant Examiner* — Jennylou M Binas

(74) *Attorney, Agent, or Firm* — John H. Choi & Associates

(57) **CLAIM**

The ornamental design for a cleaning device, as shown and described.

**DESCRIPTION**

FIG. 1 is a perspective view of an embodiment of a cleaning device showing my new design in a first position, with a close-up perspective view of a teeth member of the cleaning device;

FIG. 2 is a perspective view of the cleaning device of FIG. 1 in a second position;

FIG. 3 is a front plan view of the cleaning device of FIG. 1;

FIG. 4 is a rear plan view of the cleaning device of FIG. 1;

FIG. 5 is a top plan view of the cleaning device of FIG. 1;

FIG. 6 is a bottom plan view of the cleaning device of FIG. 1; and,

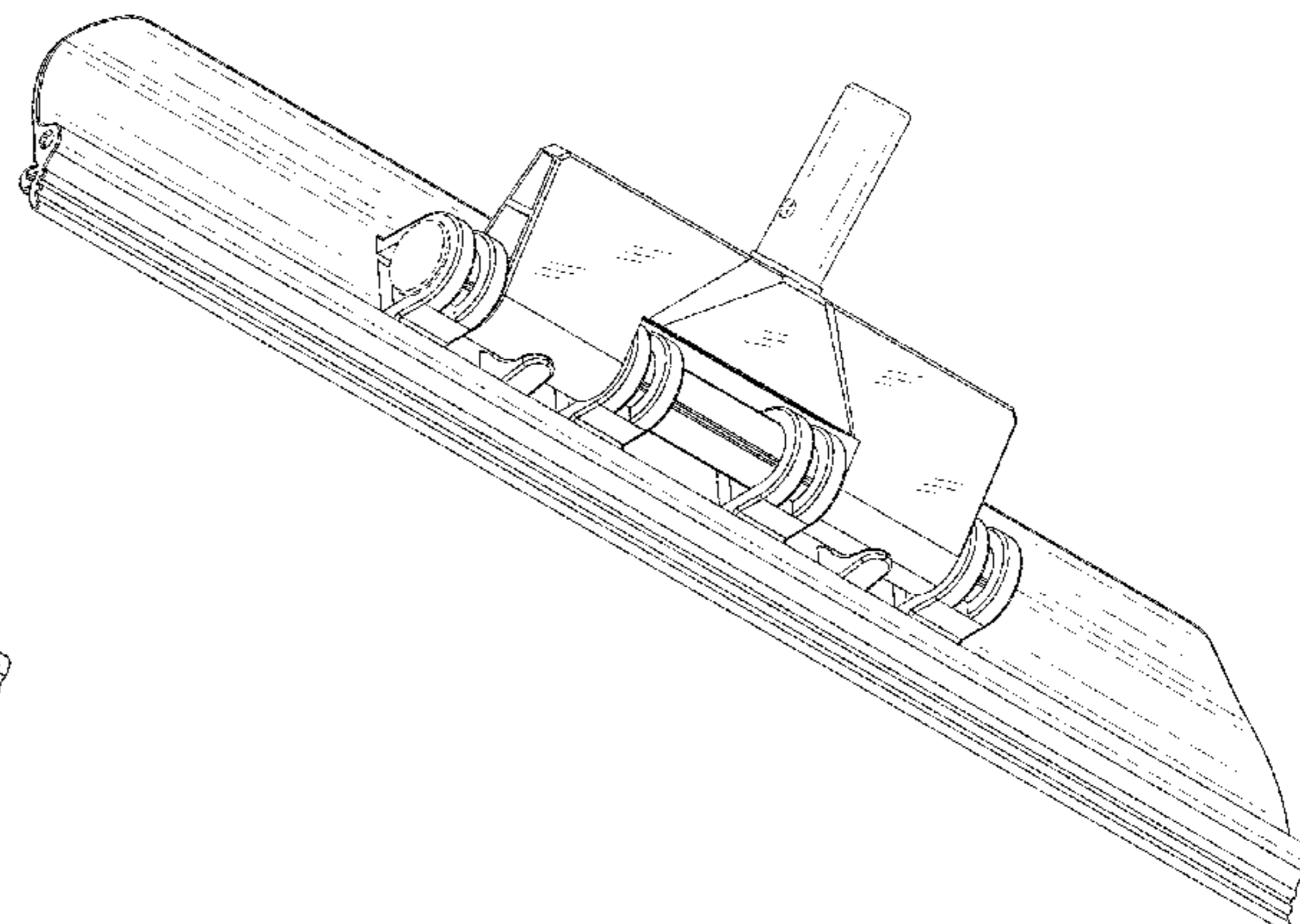
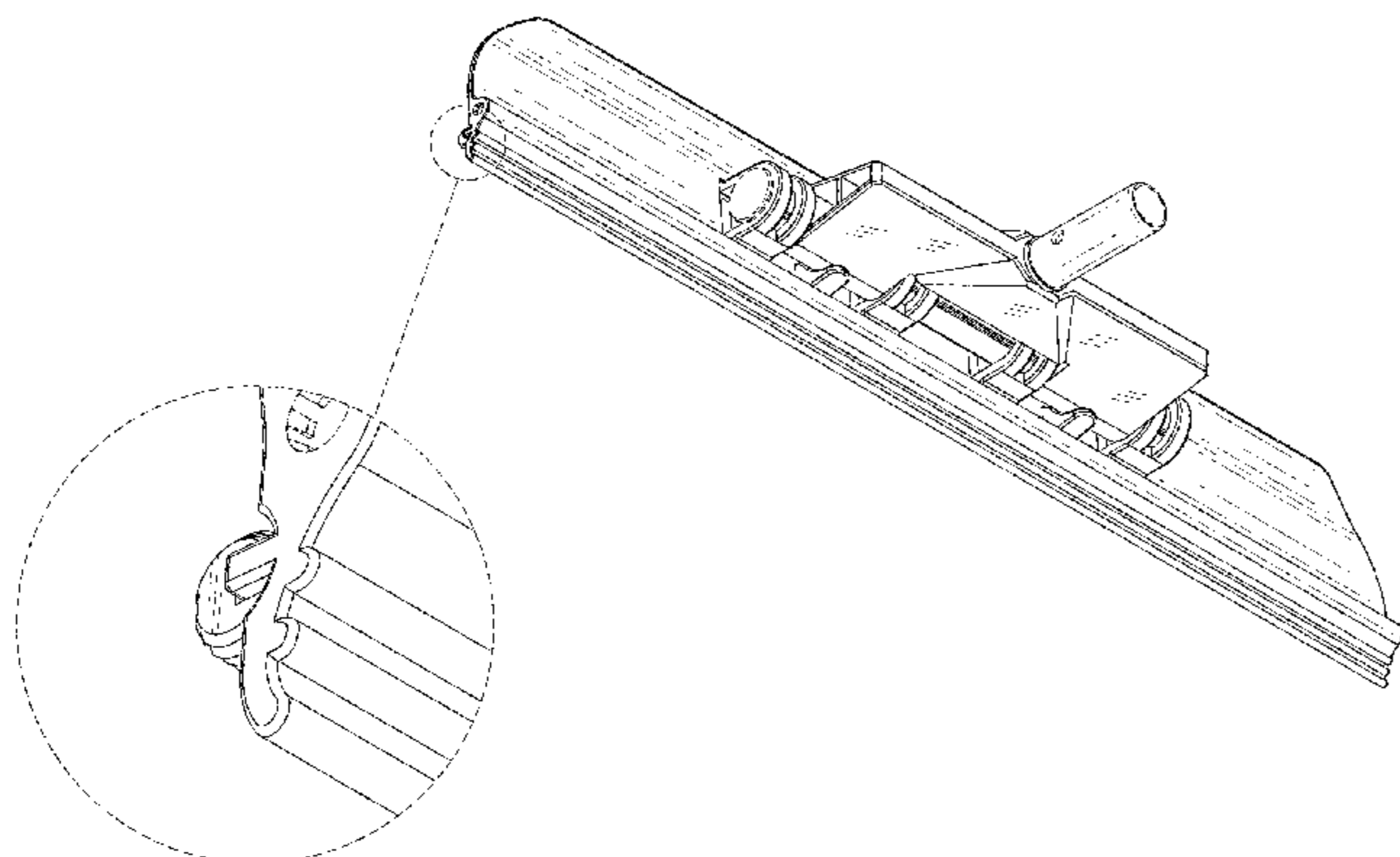
FIG. 7 is a right side view of the cleaning device of FIG. 1,

with the left side view being a mirror image of the right side view.

The broken lines shown at the bottom of FIG. 1 are for the purpose of illustrating the cut-off boundary of the enlarged detail of the cleaning device and the broken lines form no part of the claimed design.

The additional broken lines shown in FIGS. 1-7 are for the purpose of illustrating portions of the cleaning device that forms no part of the claimed design.

**1 Claim, 7 Drawing Sheets**



(56)

References Cited

U.S. PATENT DOCUMENTS

D222,703	S	*	12/1971	Richardson	.....	D32/41
D297,275	S	*	8/1988	Cook	.....	D32/51
D331,151	S	*	11/1992	Kiefer	.....	D4/135
D358,416	S	*	5/1995	Kishino	.....	D32/40
D358,972	S	*	6/1995	Libman	.....	D8/107
D377,698	S	*	1/1997	Schaffer	.....	D32/42
D408,106	S	*	4/1999	Cousins	.....	D32/42
D422,765	S	*	4/2000	Viola	.....	D32/35
D455,878	S	*	4/2002	Debreczeni	.....	D32/50
D482,202	S	*	11/2003	Newman	.....	D4/137
D538,048	S	*	3/2007	Camp, Jr.	.....	D4/199
D542,035	S	*	5/2007	Barnes, Jr.	.....	D4/118
D545,517	S	*	6/2007	Erken	.....	D32/42
D625,064	S	*	10/2010	Lee	.....	D32/42
D633,265	S	*	2/2011	Roschi	.....	D32/41
D670,057	S	*	10/2012	DiMauro	.....	D32/46
D681,896	S	*	5/2013	Wertz	.....	D32/32
D889,851	S		7/2020	Lei		
D901,813	S	*	11/2020	Hedlund	.....	D32/50
D923,895	S	*	6/2021	Tyroler	.....	D32/50
D951,570	S	*	5/2022	Brugora	.....	D32/50

OTHER PUBLICATIONS

Lillie' Reviews, Eco friendly Portable Lint Remover reviews / How to use Lint Remover ?, Dec. 6, 2019, <https://www.youtube.com/watch?v=7R29jse4ZAA>.

Shri Gloria, Portable Lint Remover Review / Does is really work ?, Jan. 1, 2020, <https://www.youtube.com/watch?v=8HScypi2J-w>.

Commonlee, Portable Lint Remover Review 2020—Does It Work?, Dec. 5, 2019, <https://www.youtube.com/watch?v=wY2nZ45LgqY&t=4s>.

Seniorgg Tool, Portable Lint Remover, Oct. 16, 2019, <https://www.facebook.com/364456337730063/posts/501314810710881>.

Kidsman House, Portable Lint Remover, Oct. 16, 2019, <https://www.facebook.com/2127638837272667/posts/2435470573156157>.

Zemmo.Shop, Portable Lint Remover, Oct. 22, 2019, <https://www.facebook.com/627886544376478/posts/709556886209443>.

Mohaul Shop, Portable Lint Remover Clothes Fuzz Shaver restores your clothes and fabrics to a fresh new look!, Oct. 17, 2019, <https://www.facebook.com/304196193832101/posts/408855190032867>.

\* cited by examiner

FIG. 1

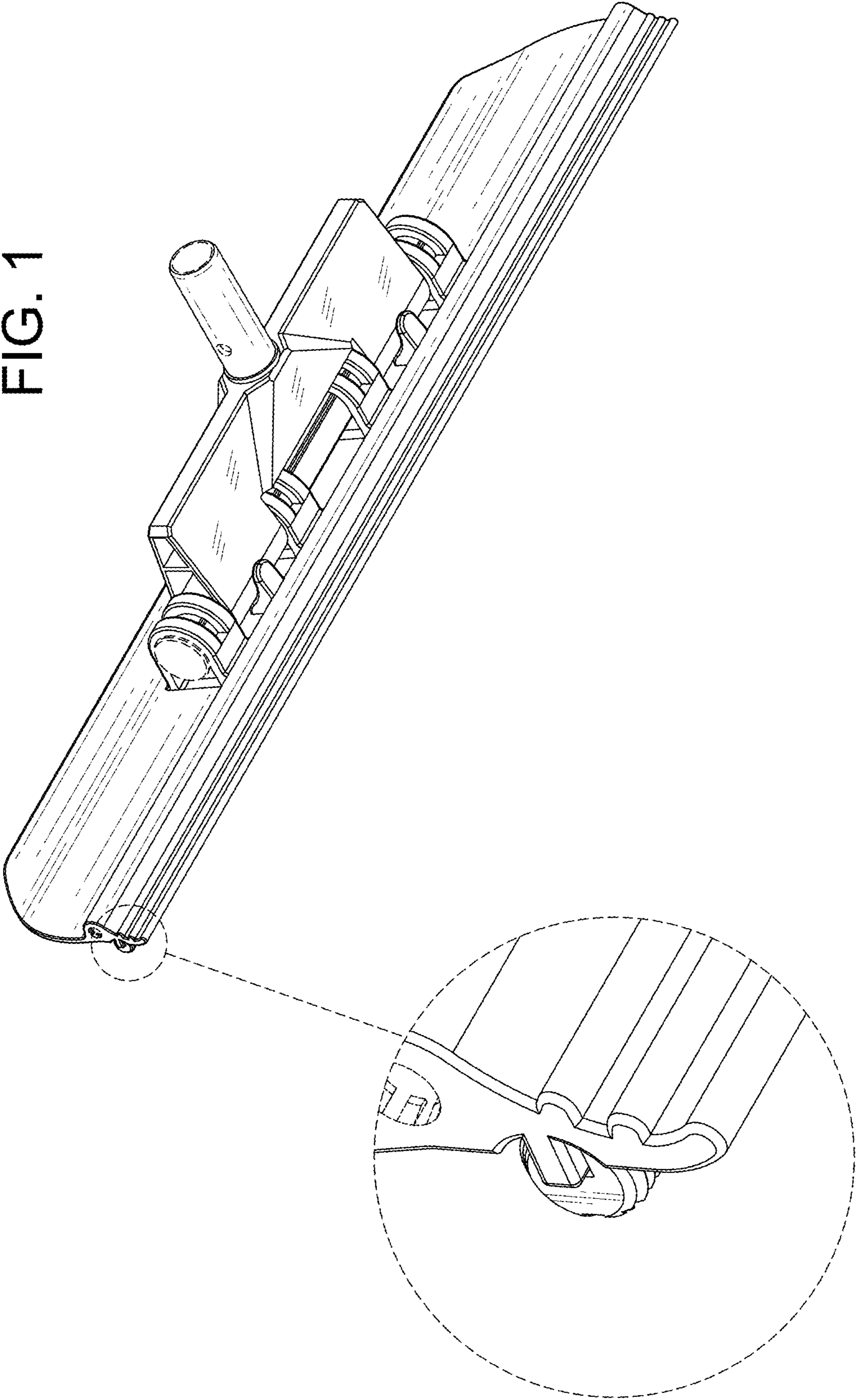


FIG. 2

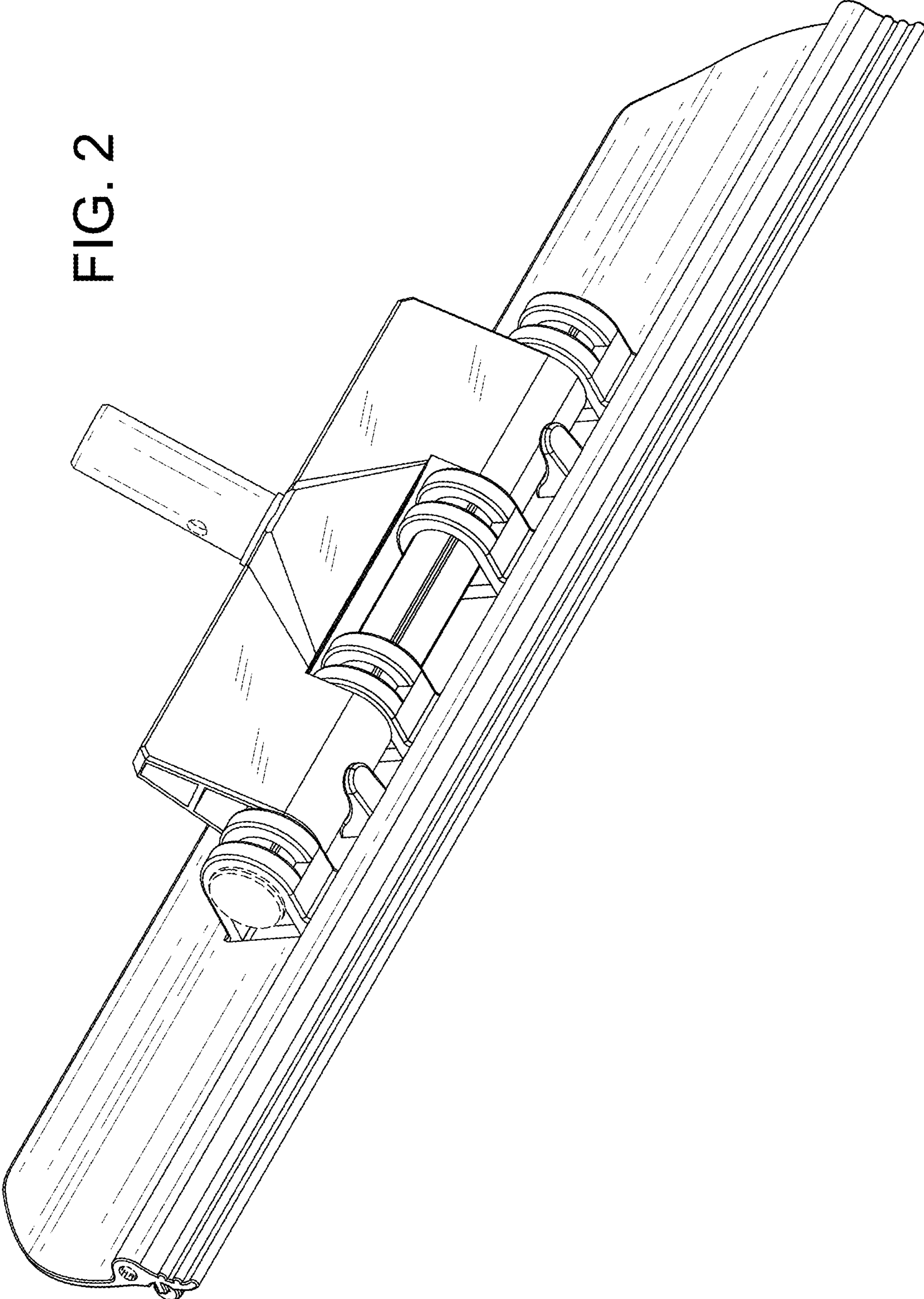


FIG. 3

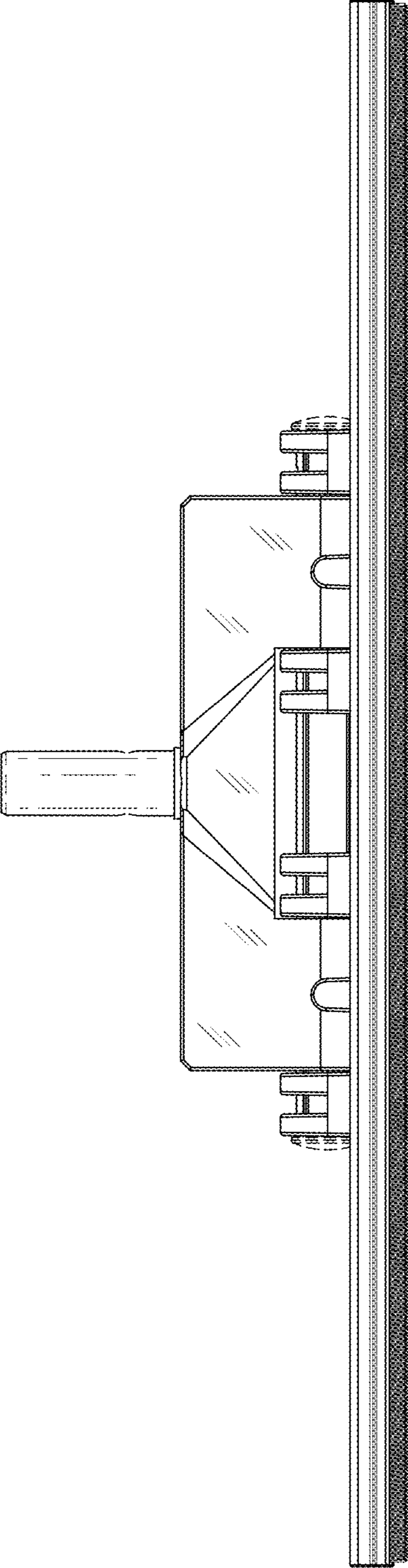


FIG. 4

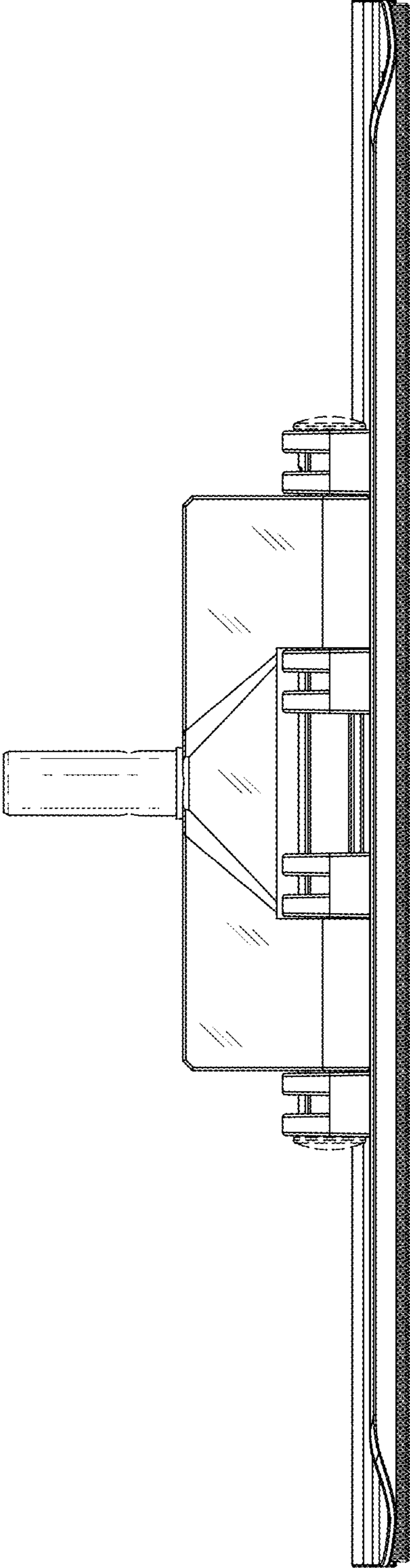


FIG. 5

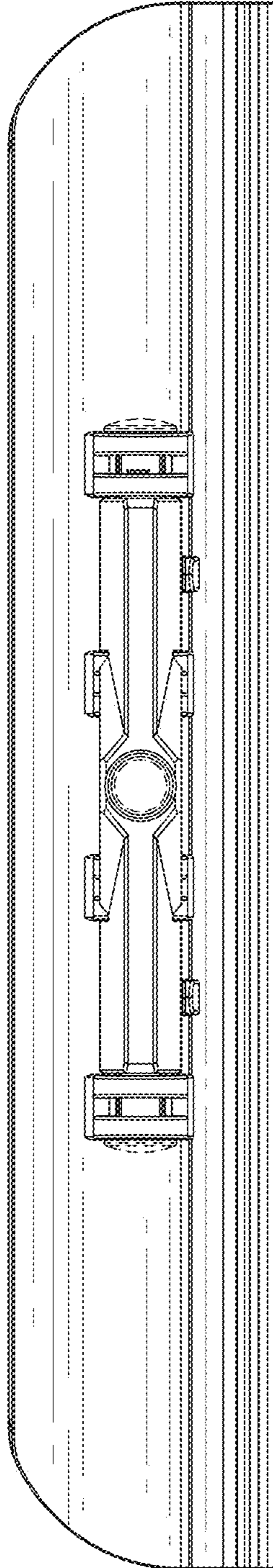


FIG. 6

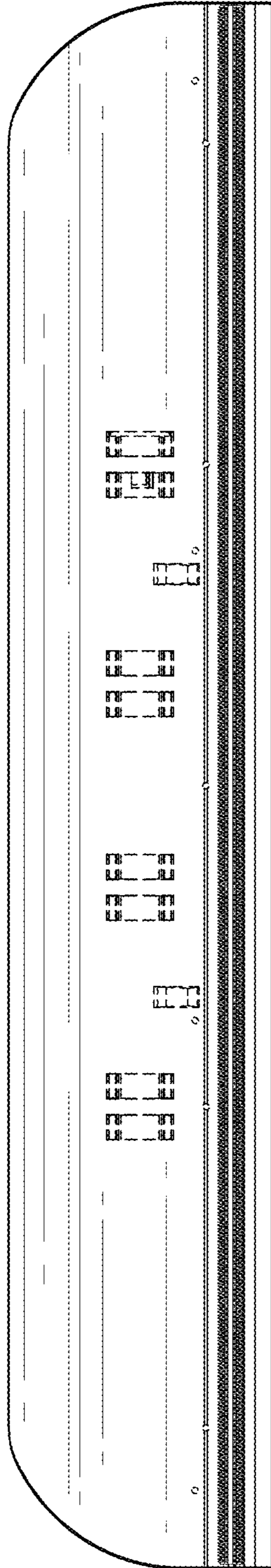




FIG. 7

