



US00D988630S

(12) **United States Design Patent** (10) **Patent No.:** **US D988,630 S**  
**Patel** (45) **Date of Patent:** **\*\* Jun. 6, 2023**

(54) **CLEANING DEVICE**

(71) Applicant: **Uproot Lint LLC**, Miami, FL (US)

(72) Inventor: **Mehul Patel**, Miami, FL (US)

(73) Assignee: **UPROOT LINT LLC**, Miami, FL (US)

(\*\*) Term: **15 Years**

(21) Appl. No.: **29/854,325**

(22) Filed: **Sep. 23, 2022**

(51) **LOC (14) Cl.** ..... **07-05**

(52) **U.S. Cl.**  
USPC ..... **D32/50**; D32/40

(58) **Field of Classification Search**  
USPC .... D32/1, 25, 31, 32, 35, 38–43, 46, 49–52;  
D4/118, 121–123, 131, 136–138, 199;  
D21/532

CPC ..... A46B 9/005; A46B 13/08; A46B 15/0081;  
A46B 2200/3053; A46B 5/02; A46B  
5/021; A46B 5/026; A47L 7/0066; A47L  
9/0613; A47L 13/00; A47L 13/02; A47L  
25/08; A47L 25/005; A47L 13/20; B08B  
1/00; D06F 58/22

See application file for complete search history.

(56) **References Cited**

**U.S. PATENT DOCUMENTS**

D47,358 S \* 5/1915 Ferguson ..... D32/32  
D168,256 S \* 11/1952 Faith-Ell et al. .... D32/32  
D195,818 S \* 8/1963 Herman et al. .... D32/50  
D199,023 S \* 9/1964 Auwarter ..... D32/50

(Continued)

**FOREIGN PATENT DOCUMENTS**

CN 306743291 \* 8/2021

**OTHER PUBLICATIONS**

Uproot Clean Xtra—Reusable Pet Hair Removal Broom, available in Amazon.com, date first available Oct. 18, 2022 [online], [site

visited Dec. 14, 2022], Available from the internet URL: <https://www.amazon.com/Uproot-Clean-Xtra-Innovative-Telescopic/dp/B0BJKG8XH9> (Year: 2022).\*

Uproot Cleaner Bundle, available in <https://uprootclean.com/>, customer review oldest date Nov. 9, 2022 [online], [site visited Dec. 8, 2022], Available from the internet URL: <https://uprootclean.com/products/uproot-cleaner-bundle-2> (Year: 2022).\*

(Continued)

*Primary Examiner* — Jennifer Rivard

*Assistant Examiner* — Jennylou M Binas

(74) *Attorney, Agent, or Firm* — John H. Choi & Associates

(57) **CLAIM**

The ornamental design for a cleaning device, as shown and described.

**DESCRIPTION**

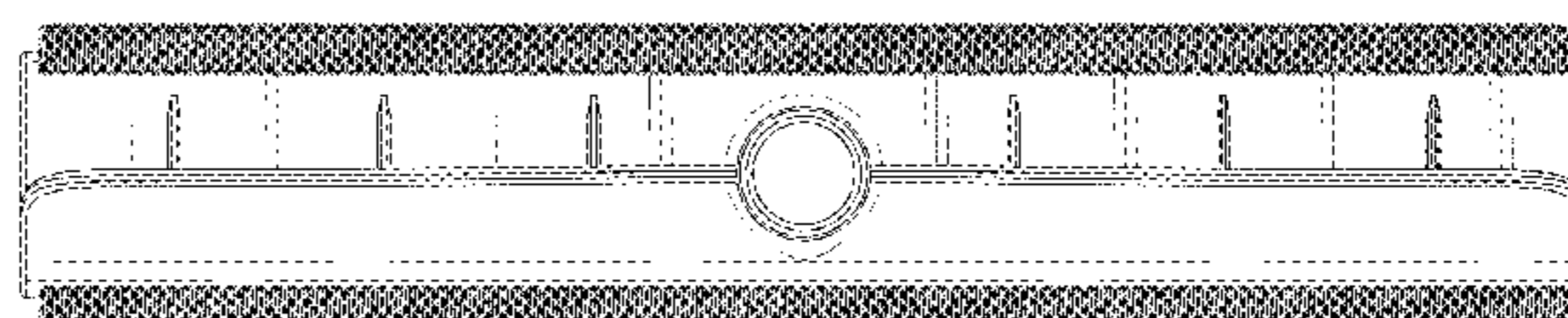
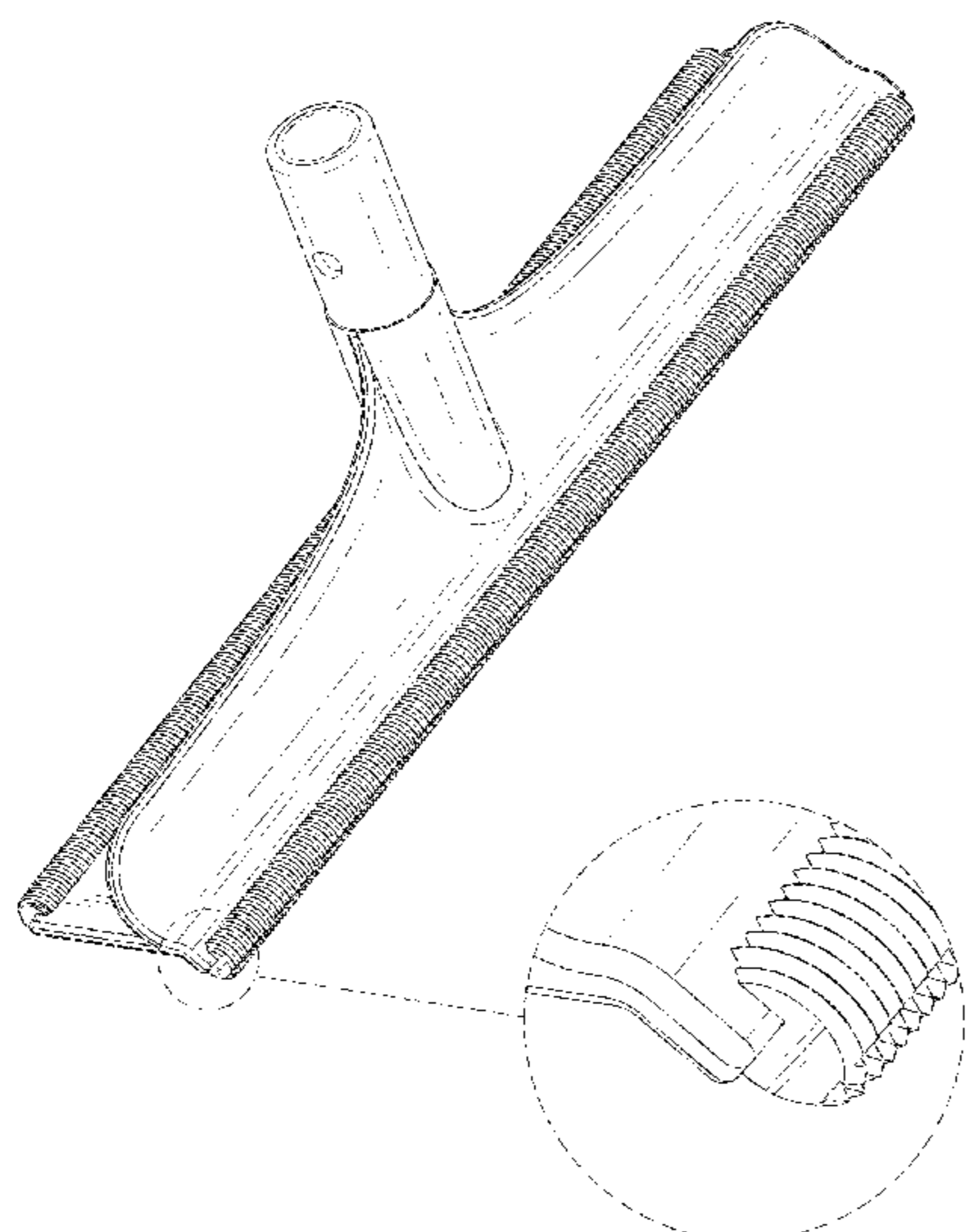
FIG. 1 is a perspective view of an embodiment of a cleaning device showing my new design, with a close-up perspective view of the front teeth member of the cleaning device; FIG. 2 is a front plan view of the cleaning device of FIG. 1; FIG. 3 is a rear plan view of the cleaning device of FIG. 1; FIG. 4 is a top plan view of the cleaning device of FIG. 1; FIG. 5 is a bottom plan view of the cleaning device of FIG. 1; and,

FIG. 6 is a right side view of the cleaning device of FIG. 1, with the left side view being a mirror image of the right side view.

The broken lines shown at the bottom of FIG. 1 is for the purpose of illustrating the cut-off boundary of the enlarged detail of the cleaning device and the broken lines form no part of the claimed design.

The broken lines shown in the handle of the cleaning device in FIGS. 1 and 4 is for the purpose of illustrating a portion of the cleaning device that forms no part of the claimed design.

**1 Claim, 6 Drawing Sheets**



(56)

References Cited

U.S. PATENT DOCUMENTS

D202,169	S *	9/1965	Van Schwartz .....	D32/50
D222,703	S *	12/1971	Richardson .....	D32/41
D232,617	S *	9/1974	Albrecht, Jr. ....	D4/134
D358,416	S *	5/1995	Kishino .....	D32/40
D377,698	S *	1/1997	Schaffer .....	D32/42
D383,268	S *	9/1997	Uranga .....	D4/130
D408,106	S *	4/1999	Cousins .....	D32/42
D422,765	S *	4/2000	Viola .....	D32/35
D447,301	S *	8/2001	Adair .....	D32/42
D455,878	S *	4/2002	Debreczeni .....	D32/50
D538,048	S *	3/2007	Camp, Jr. ....	D4/199
D545,517	S *	6/2007	Erken .....	D32/42
D573,761	S *	7/2008	Williams .....	D32/25
D613,918	S *	4/2010	Benacquisto .....	D32/39
D625,064	S *	10/2010	Lee .....	D32/42
D633,265	S *	2/2011	Roschi .....	D32/41
D681,896	S *	5/2013	Wertz .....	D32/32
D704,405	S *	5/2014	Libman .....	D32/51
D889,851	S	7/2020	Lei	
D901,813	S *	11/2020	Hedlund .....	D32/50
D923,895	S *	6/2021	Tyroler .....	D32/50
D951,570	S *	5/2022	Brugora .....	D32/50

OTHER PUBLICATIONS

Lillie' Reviews, Eco friendly Portable Lint Remover reviews / How to use Lint Remover ?, Dec. 6, 2019, <https://www.youtube.com/watch?v=7R29jse4ZAA>.

Shri Gloria, Portable Lint Remover Review / Does is really work ?, Jan. 1, 2020, <https://www.youtube.com/watch?v=8HScypi2J-w>.

Commonlee, Portable Lint Remover Review 2020—Does It Work?, Dec. 5, 2019, <https://www.youtube.com/watch?v=wY2nZ45LgqY&t=4s>.

Seniorgg Tool, Portable Lint Remover, Oct. 16, 2019, <https://www.facebook.com/364456337730063/posts/501314810710881>.

Kidsman House, Portable Lint Remover, Oct. 16, 2019, <https://www.facebook.com/2127638837272667/posts/2435470573156157>.

Zemmo.Shop, Portable Lint Remover, Oct. 22, 2019, <https://www.facebook.com/627886544376478/posts/709556886209443>.

Mohaul Shop, Portable Lint Remover Clothes Fuzz Shaver restores your clothes and fabrics to a fresh new look!, Oct. 17, 2019, <https://www.facebook.com/304196193832101/posts/408855190032867>.

\* cited by examiner

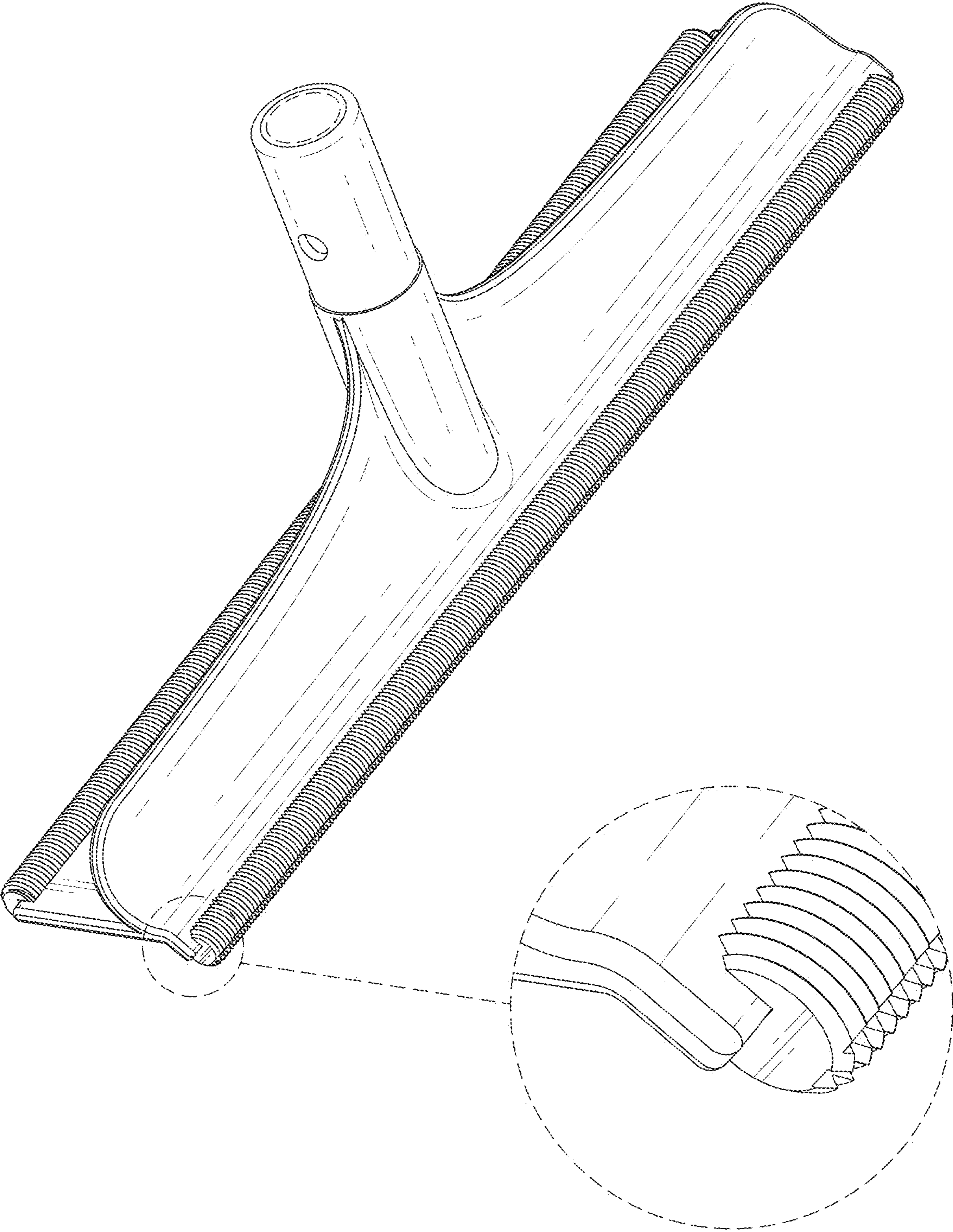


FIG. 1

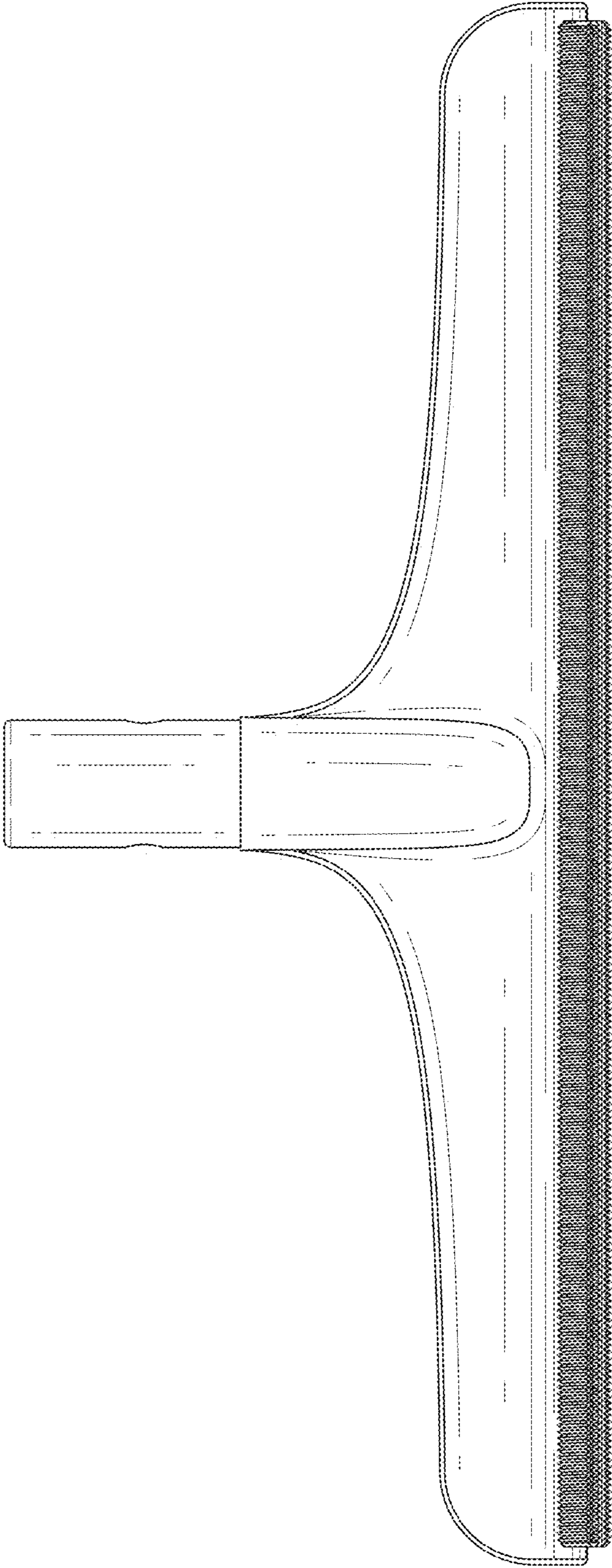


FIG. 2

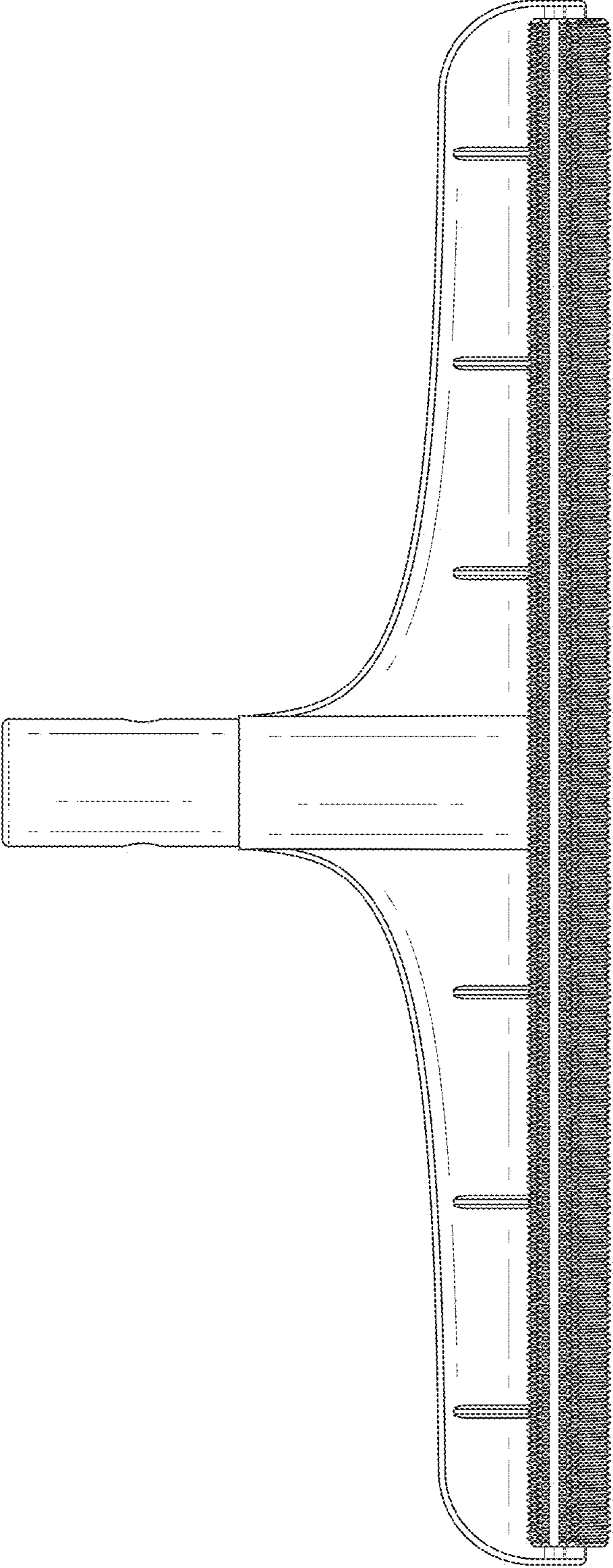


FIG. 3

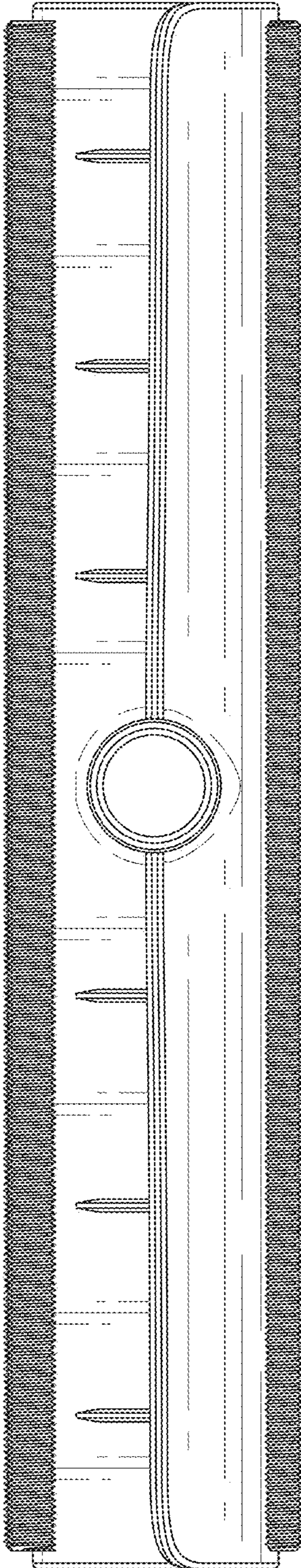


FIG. 4

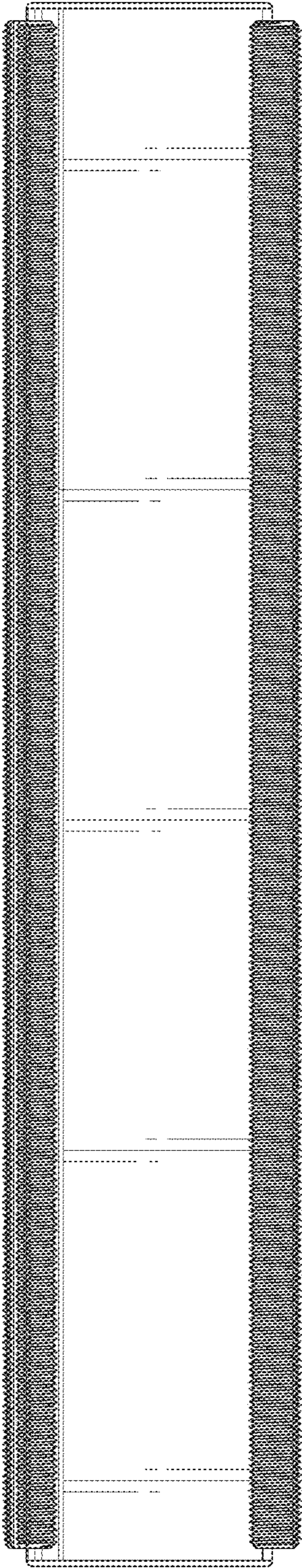


FIG. 5

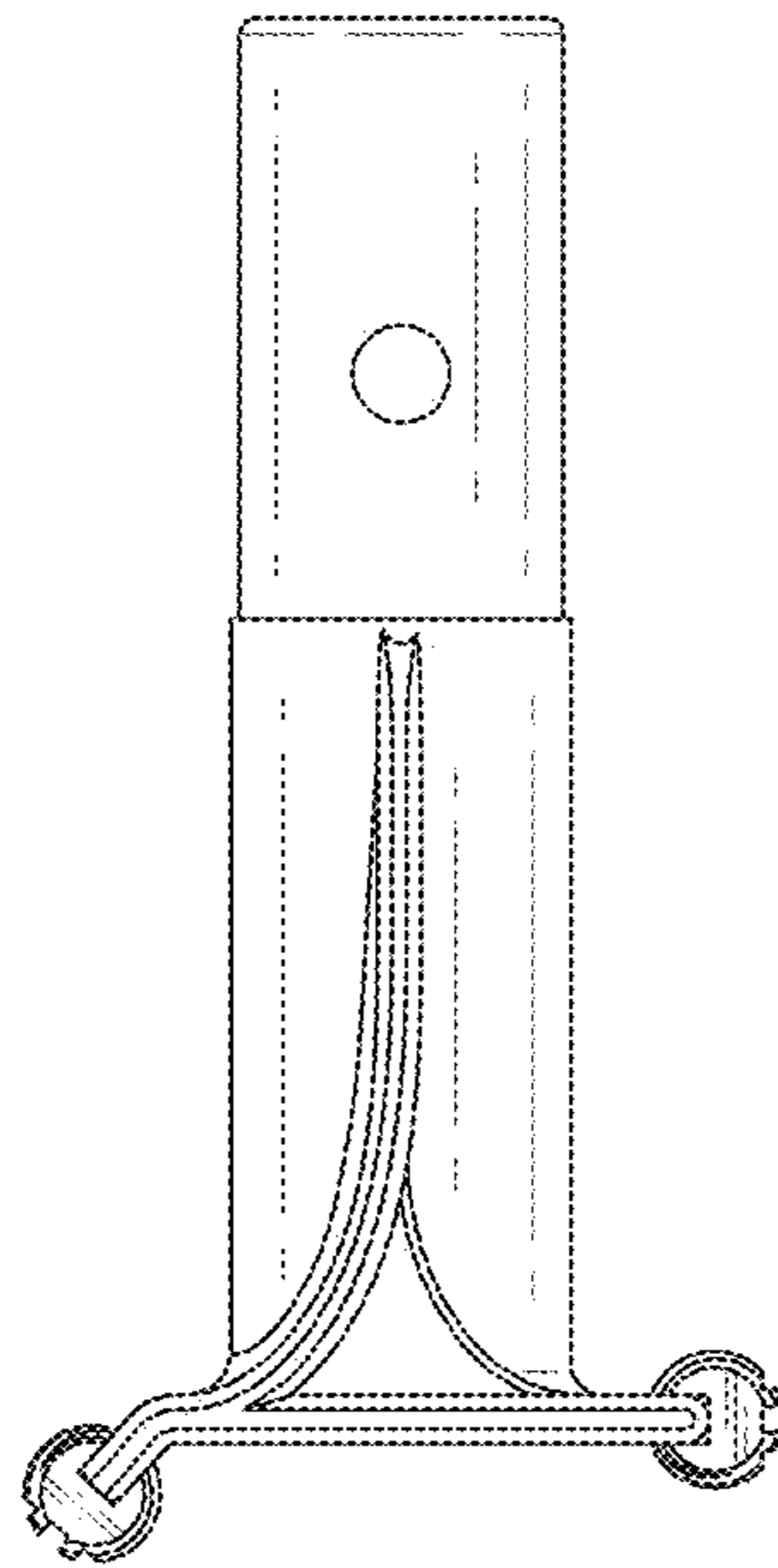


FIG. 6