



US00D988629S

(12) **United States Design Patent** (10) **Patent No.:** **US D988,629 S**  
**Cira** (45) **Date of Patent:** **\*\* Jun. 6, 2023**

(54) **HANDLE FOR A CLEANING DEVICE**

(71) Applicant: **Proud Grill Company Limited**, King (CA)

(72) Inventor: **Paul Cira**, Toronto (CA)

(73) Assignee: **PROUD GRILL COMPANY LIMITED**, King (CA)

(\*\*) Term: **15 Years**

(21) Appl. No.: **29/759,773**

(22) Filed: **Nov. 25, 2020**

(51) **LOC (14) Cl.** ..... **07-05**

(52) **U.S. Cl.**  
USPC ..... **D32/52**; D32/40; D4/129; D4/138

(58) **Field of Classification Search**  
USPC .... D32/1, 34-35, 40, 46, 48-49, 52; D8/14, D8/45, 71, 90, 107, 315-316; D4/119, D4/129, 137-138  
CPC ..... A47L 13/16; A47L 13/44; Y10S 16/18; Y10S 16/19; Y10T 16/476; B25G 1/102  
See application file for complete search history.

(56) **References Cited**

**U.S. PATENT DOCUMENTS**

1,509,807 A 9/1924 Gray  
1,761,109 A 6/1930 Dietz  
2,307,892 A 1/1943 Lowther

(Continued)

**FOREIGN PATENT DOCUMENTS**

CN 302358638 3/2013  
CN 303316094 8/2015

(Continued)

**OTHER PUBLICATIONS**

Proud Grill Company Q-Swiper BBQ Grill Brush with Stainless Steel Scraper, available in Amazon.ca, date first available Dec. 7,

2017 [online], [site visited Jan. 12, 2022], Available from the internet URL: <https://www.amazon.com/Q-Swiper-Grill-Stainless-Cleaning-separately/dp/B0766355XB> (Year: 2017).\*

(Continued)

*Primary Examiner* — Jennifer Rivard

*Assistant Examiner* — Jennylou M Binas

(74) *Attorney, Agent, or Firm* — Sand, Sebolt & Wernow Co., LPA

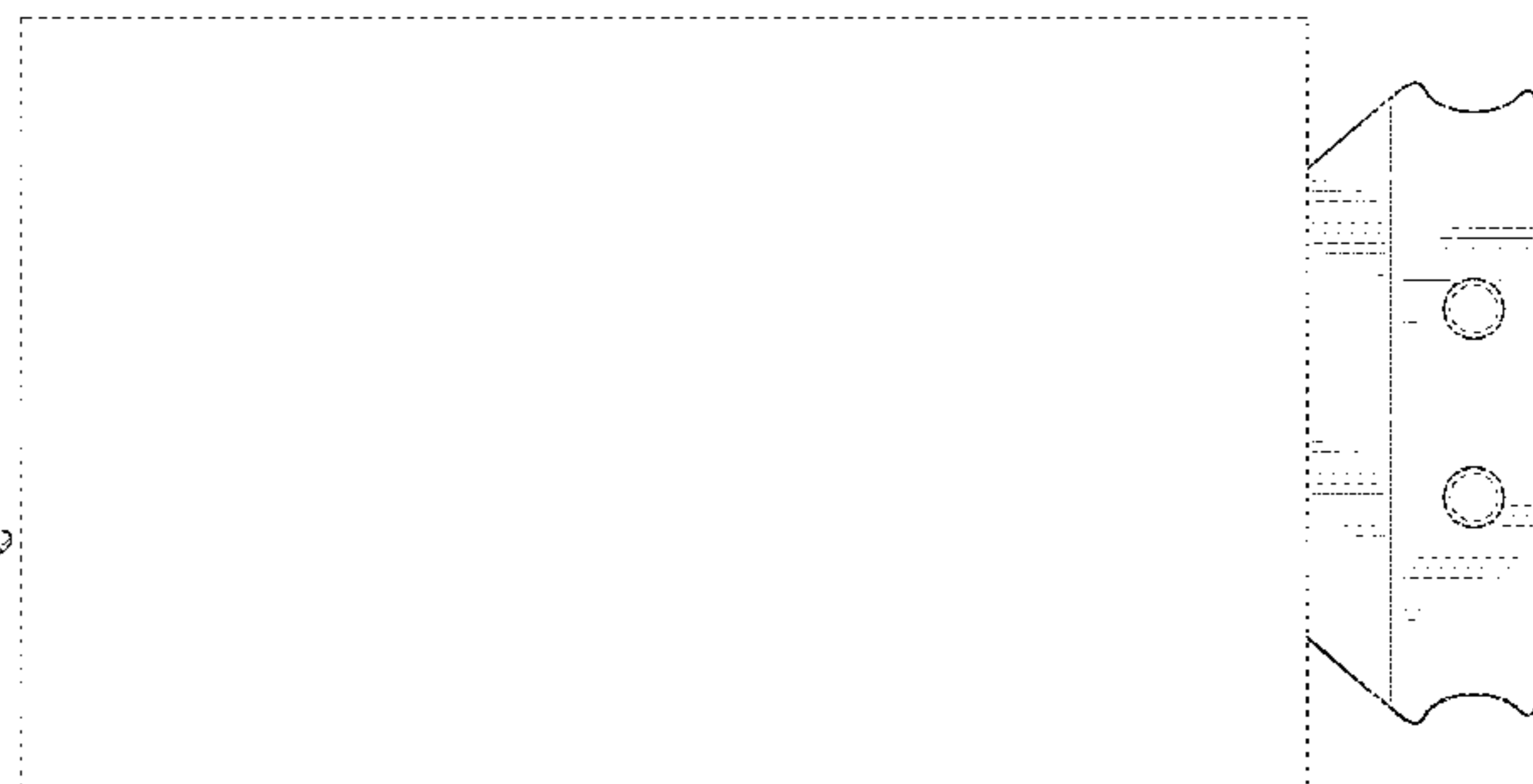
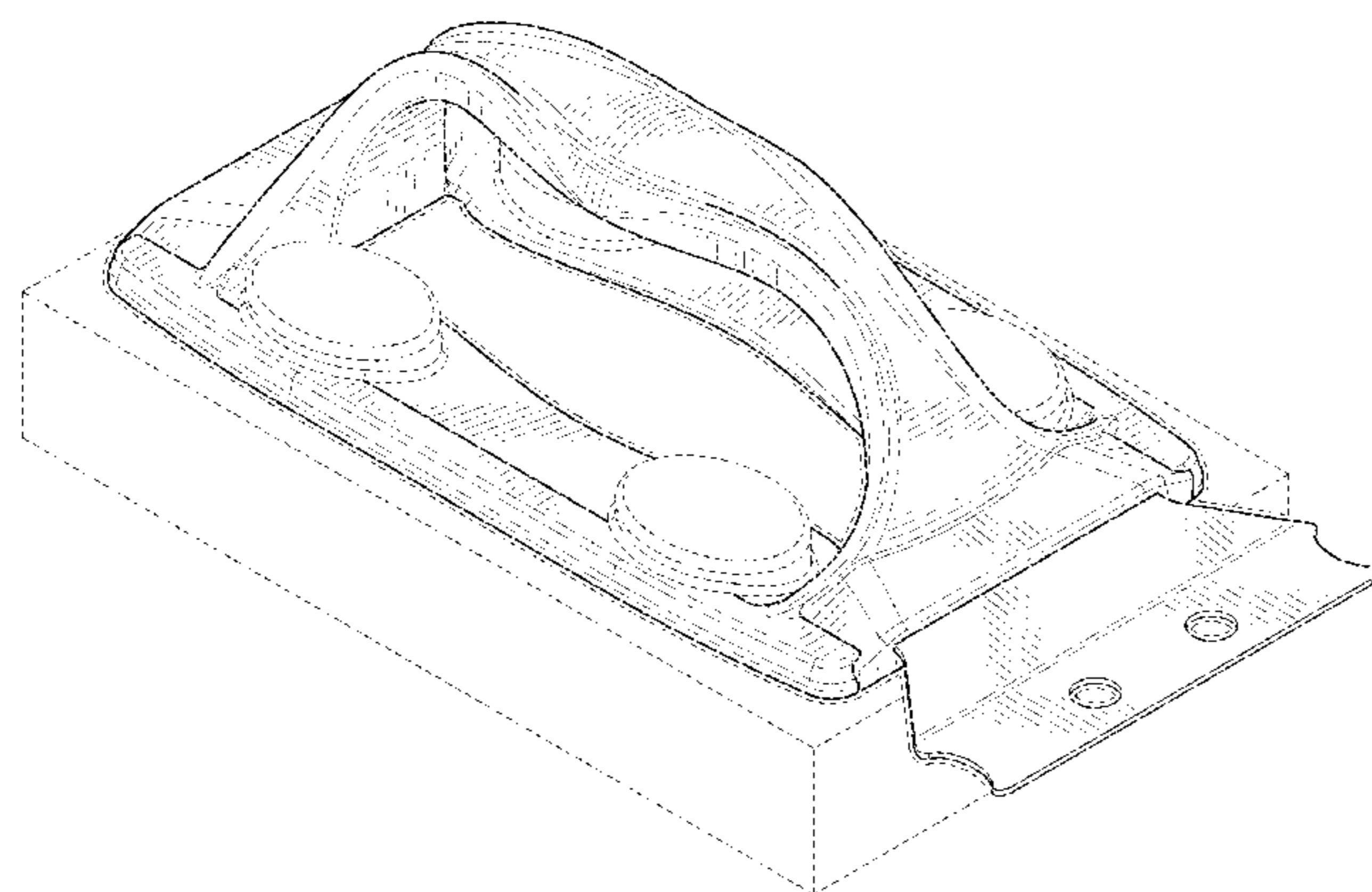
(57) **CLAIM**

The ornamental design for a handle for a cleaning device, as shown and described.

**DESCRIPTION**

FIG. 1 is a front, top, right side, isometric view of a handle for a cleaning device in accordance with my design;  
FIG. 2 is a front elevation view of the handle for a cleaning device, wherein the rear elevation view is a mirror image of the front elevation view;  
FIG. 3 is a top plan view of the handle for a cleaning device;  
FIG. 4 is a bottom plan view of the handle for a cleaning device;  
FIG. 5 is a left side elevation view of the handle for a cleaning device;  
FIG. 6 is a right side elevation view of the handle for a cleaning device; and,  
FIG. 7 is a cross-section through the handle for a cleaning device looking in the direction of line 7-7 of FIG.3.  
The broken lines shown in the figures are for the purpose of illustrating the portions of the handle for a cleaning device and form no part of the claimed design. The broken lines showing of the scrub pad are for the purpose of illustrating portions of the environmental structure and form no part of the claimed design.

**1 Claim, 6 Drawing Sheets**



(56)

References Cited

U.S. PATENT DOCUMENTS

D185,466 S \* 6/1959 Scholl ..... D4/129  
 2,952,028 A 9/1960 Robbins  
 3,010,133 A 11/1961 Hurd  
 3,140,500 A \* 7/1964 Pilla ..... E04F 21/06  
 15/235.4  
 D232,344 S \* 8/1974 Momcilovich ..... D32/48  
 4,351,525 A 9/1982 Rozenblad  
 D278,790 S 5/1985 Chaney et al.  
 D310,012 S 8/1990 Henke et al.  
 D312,520 S \* 11/1990 Wilson ..... D32/48  
 D373,715 S 9/1996 Fink  
 D392,079 S 3/1998 Omerza  
 D394,958 S \* 6/1998 Polzin ..... D4/137  
 D402,474 S 12/1998 Danielson  
 D418,682 S \* 1/2000 Crane ..... D4/137  
 D426,134 S 6/2000 Pytlewski  
 D453,672 S 2/2002 McCoy  
 6,493,899 B1 12/2002 Hintz et al.  
 6,505,408 B1 1/2003 Talamantez et al.  
 D474,389 S 5/2003 Panfili et al.  
 6,640,378 B2 11/2003 Hsu  
 D503,836 S \* 4/2005 Hall ..... D32/50  
 D504,601 S 5/2005 Jimenez  
 D525,508 S 7/2006 Leonard, II  
 D544,213 S \* 6/2007 Dow ..... D4/119  
 D566,916 S \* 4/2008 Nobile ..... D32/40  
 D596,918 S \* 7/2009 Menzies ..... D8/315  
 D620,215 S \* 7/2010 Peng ..... D4/137  
 D657,241 S \* 4/2012 Nidetz ..... D9/434  
 D668,124 S 10/2012 Lewis

8,806,698 B2 \* 8/2014 Enders ..... A47J 37/0786  
 15/248.1  
 D746,596 S \* 1/2016 Zemel ..... D4/129  
 D776,384 S \* 1/2017 Eldridge ..... D28/47  
 D811,489 S 2/2018 Hadley et al.  
 D851,346 S \* 6/2019 Kamody ..... D32/46  
 10,646,093 B2 \* 5/2020 Kamody ..... A47L 13/11  
 D886,461 S \* 6/2020 Du ..... D4/119  
 10,835,024 B1 \* 11/2020 Kostro ..... B25G 1/102  
 2018/0206692 A1 \* 7/2018 Cira ..... A47L 13/44  
 2023/0000239 A1 \* 1/2023 Cira ..... A46B 15/0081

FOREIGN PATENT DOCUMENTS

CN 304149399 5/2017  
 JP D1677230 \* 1/2021

OTHER PUBLICATIONS

Proud Grill Company Q-Swiper BBQ Grill Cleaner Set, available in Amazon.com, date first available Jan. 8, 2018 [online], [site visited Jan. 12, 2022], Available from the internet URL: [https://www.amazon.com/dp/B0765DHQJK/ref=sspa\\_dk\\_detail\\_3](https://www.amazon.com/dp/B0765DHQJK/ref=sspa_dk_detail_3) (Year: 2018).  
 Remco Vikan Handheld Cleaning Pad Holder, website 2018, <http://remcoproducts.com/products/catalog/Pad>, site visited Sep. 16, 2018 (Year: 2018).  
 Unger PH D20 8" Hand held Aluminum Pad Holder, Webstaurant website 2018, <https://www.webstaurantstore.com/unger-phd20-8-handheld-aluminum-pad-holder/905PH> . . . site visited Sep. 16, 2018 (Year: 2018).

\* cited by examiner



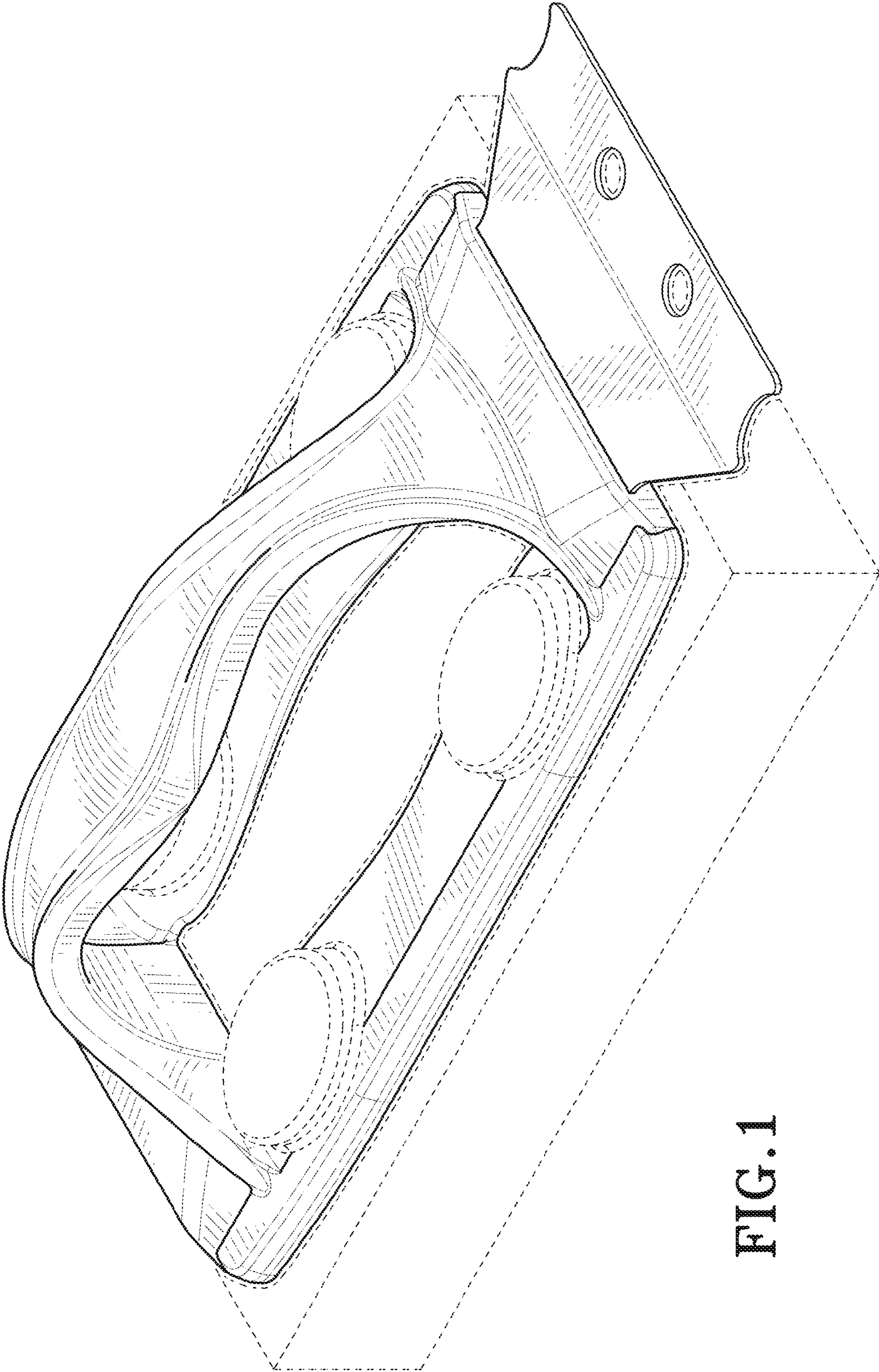


FIG. 1

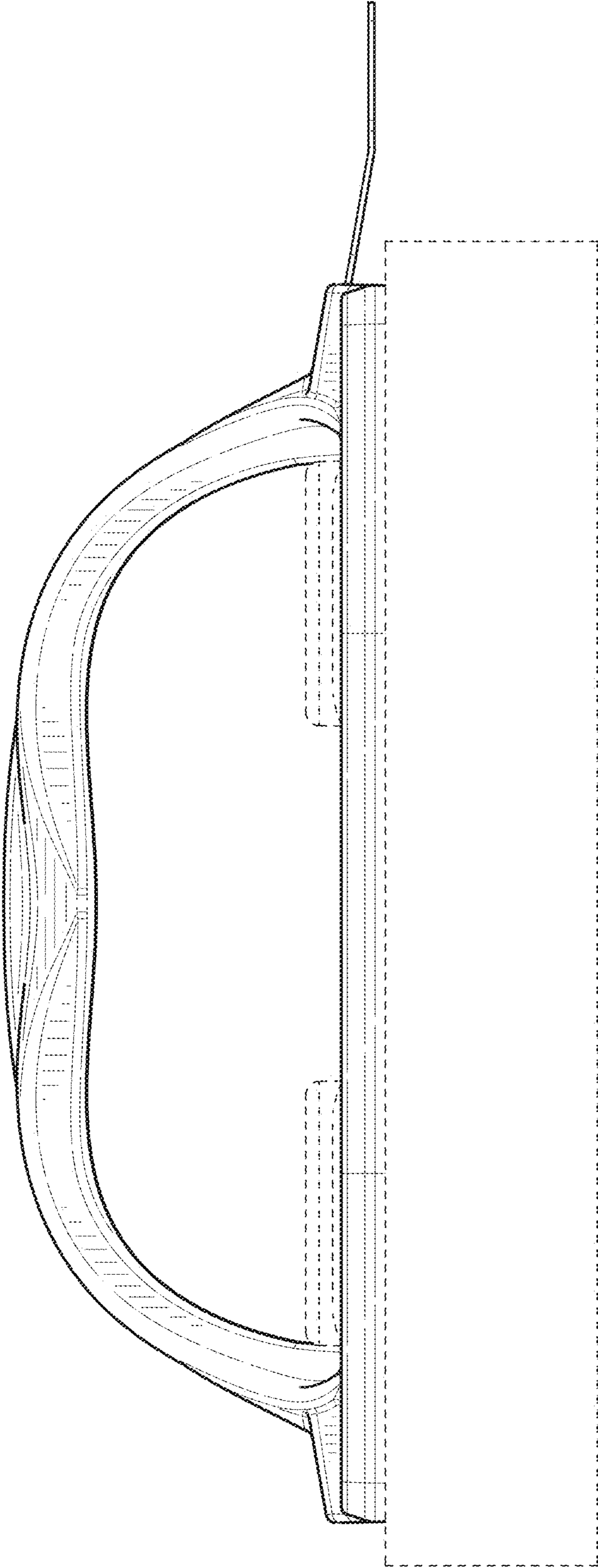


FIG. 2

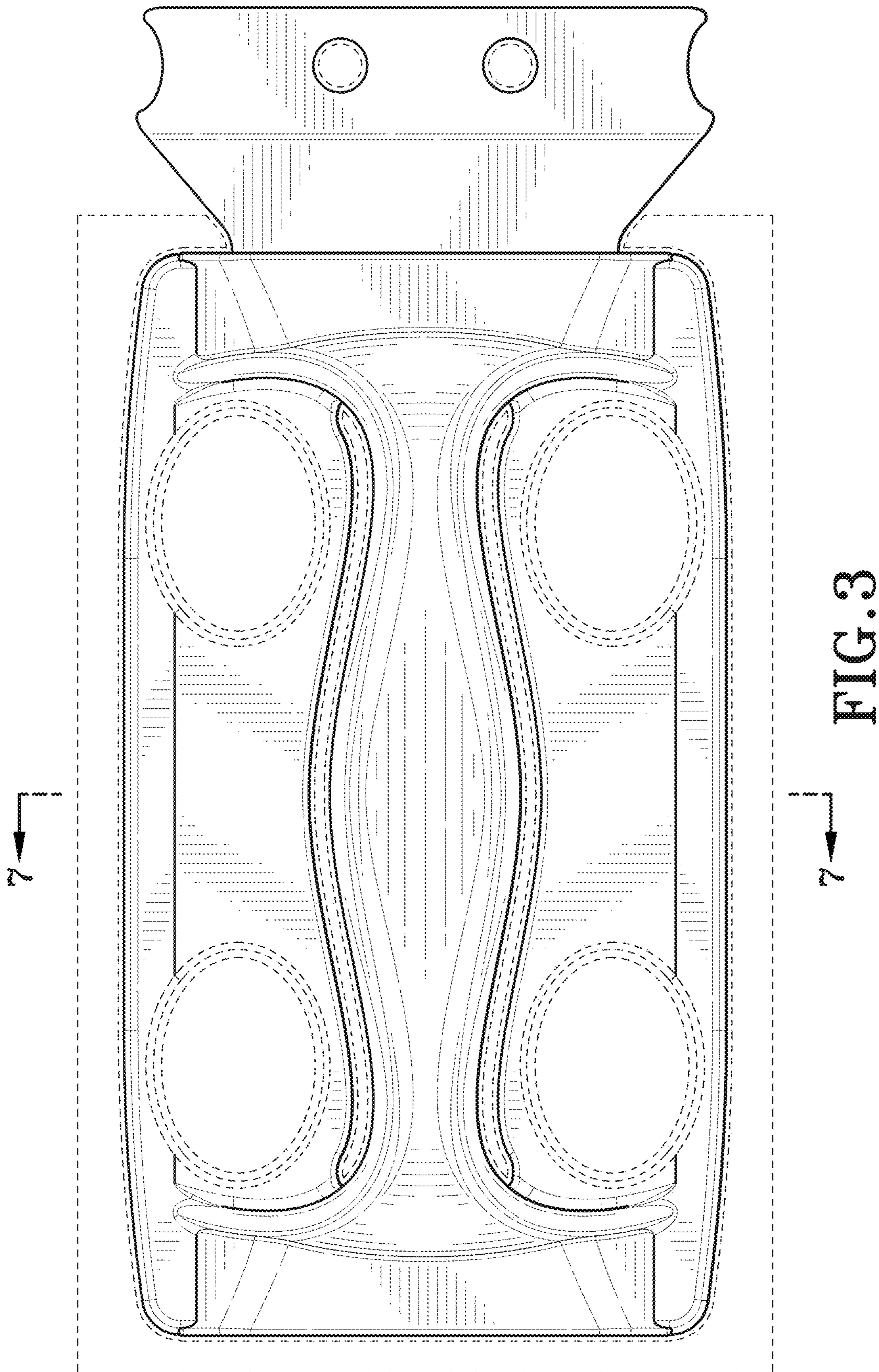




FIG. 4



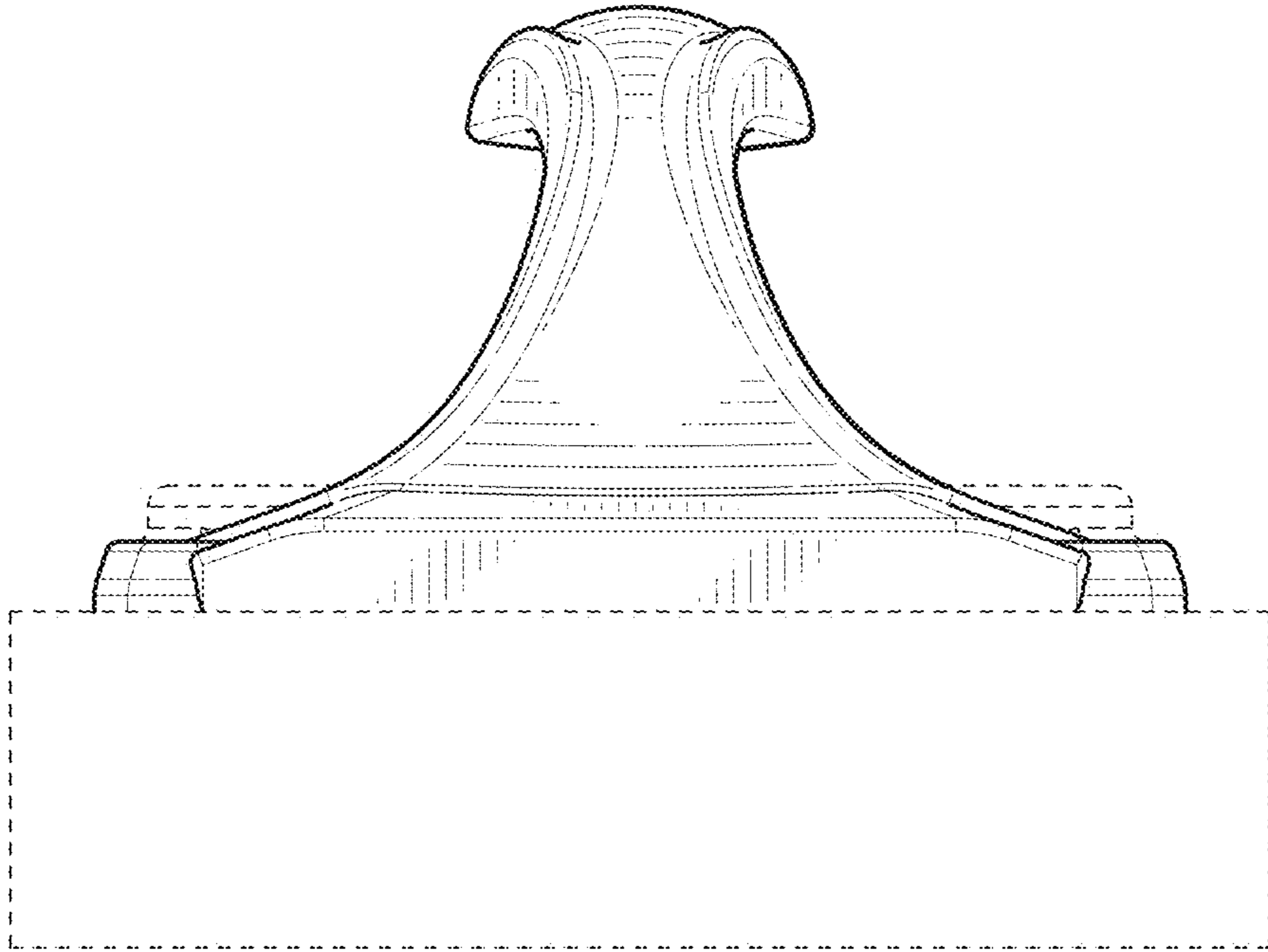


FIG. 5

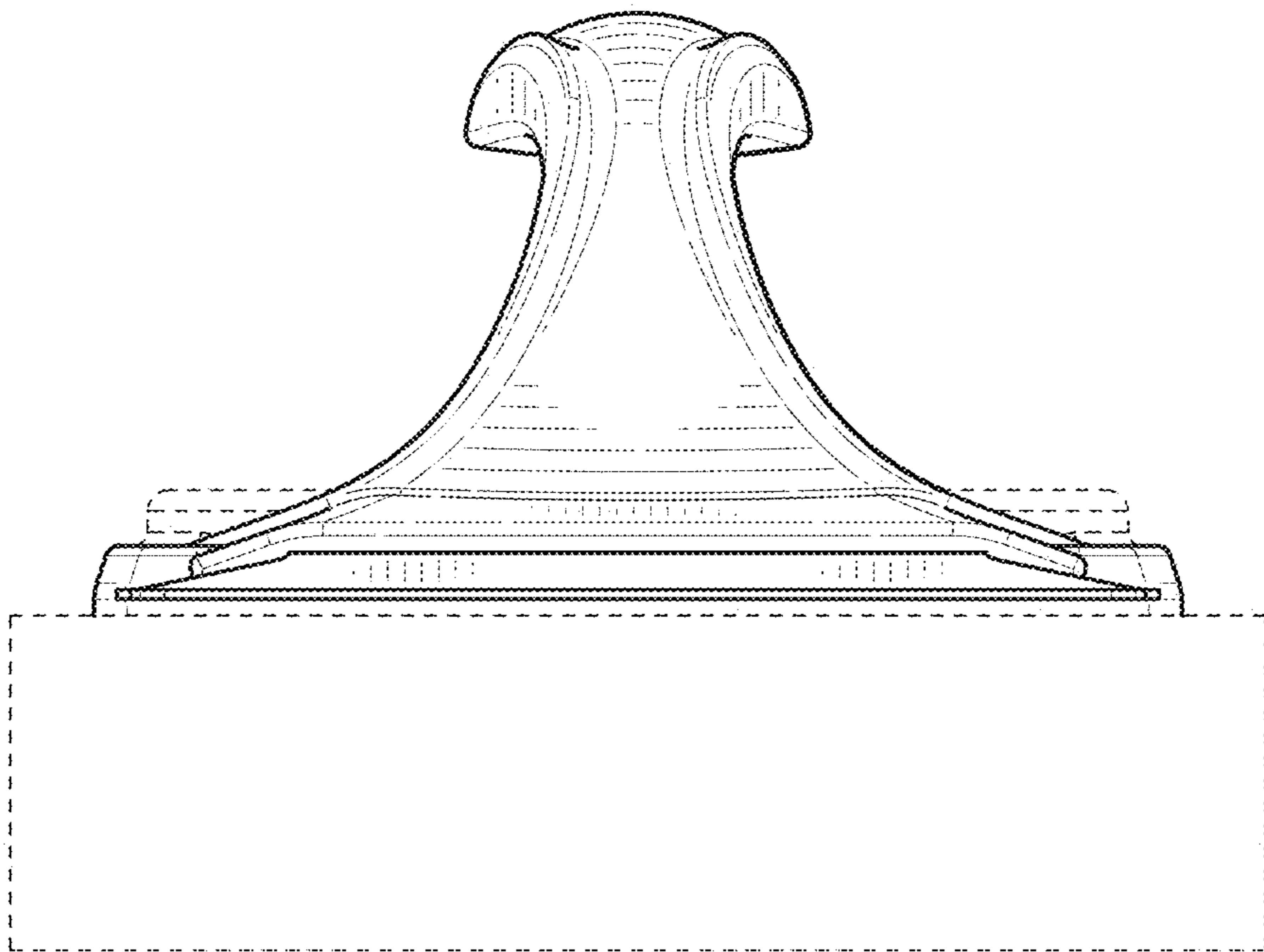


FIG. 6

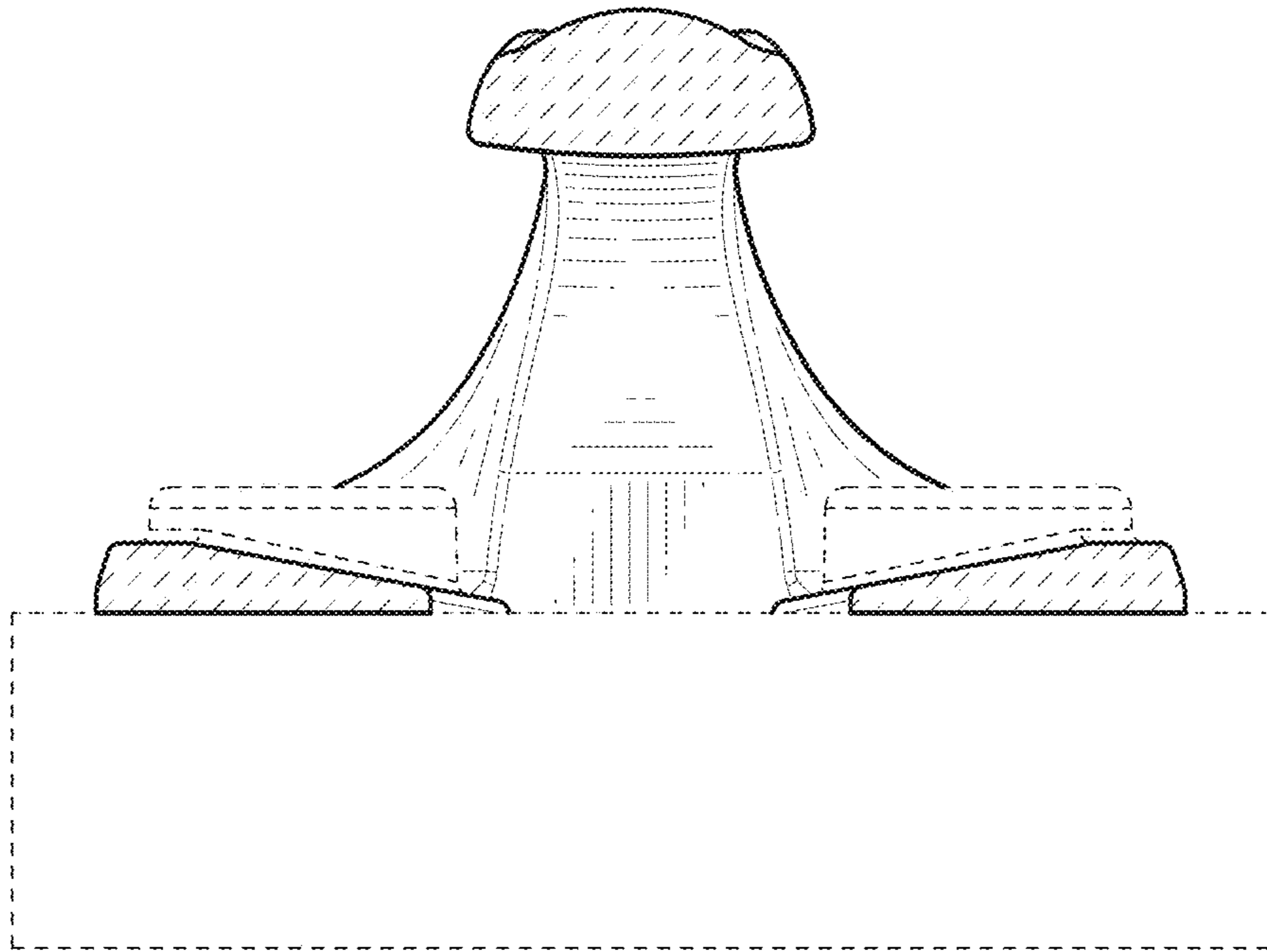


FIG. 7