



US00D988627S

(12) **United States Design Patent**
Owens et al.

(10) **Patent No.:** **US D988,627 S**

(45) **Date of Patent:** **** Jun. 6, 2023**

- (54) **DUST COLLECTION ASSEMBLY**
- (71) Applicant: **Rockler Companies, Inc.**, Medina, MN (US)
- (72) Inventors: **Jay Zachary Owens**, Minnetonka, MN (US); **Dan Wenning**, Minnetonka, MN (US)
- (73) Assignee: **Rockler Companies, Inc.**, Medina, MN (US)

D520,695 S *	5/2006	Dyson	D32/33
D565,261 S *	3/2008	Peace	D32/33
D612,116 S *	3/2010	Nicholas	D32/33
D744,241 S *	12/2015	Krohmer	D4/130
D793,638 S *	8/2017	LaBarbera	D32/32
D795,317 S *	8/2017	Wenning	D15/138
D806,965 S *	1/2018	Nam	D32/23
D842,615 S *	3/2019	Krohmer	D4/133
D852,443 S *	6/2019	Martin	D32/33
D886,400 S *	6/2020	Miyawaki	D32/33
D896,456 S *	9/2020	Doucette, Jr.	D32/32

(**) Term: **15 Years**

(21) Appl. No.: **29/794,736**

(22) Filed: **Jun. 15, 2021**

Related U.S. Application Data

(62) Division of application No. 29/706,714, filed on Sep. 23, 2019, now Pat. No. Des. 924,513.

(51) **LOC (14) Cl.** **15-05**

(52) **U.S. Cl.**
USPC **D32/33**

(58) **Field of Classification Search**
USPC D32/21, 25, 31-34
CPC A47L 9/1683; B04C 5/185; B04C 5/24; Y10S 55/03
See application file for complete search history.

(56) **References Cited**

U.S. PATENT DOCUMENTS

D519,696 S *	4/2006	Adams	D32/33
D520,201 S *	5/2006	Dyson	D32/33

* cited by examiner

Primary Examiner — Michael C Stout

Assistant Examiner — Fritzgerald L Butac

(74) *Attorney, Agent, or Firm* — James L. Young; Westman, Champlin & Koehler P.A.

(57) **CLAIM**

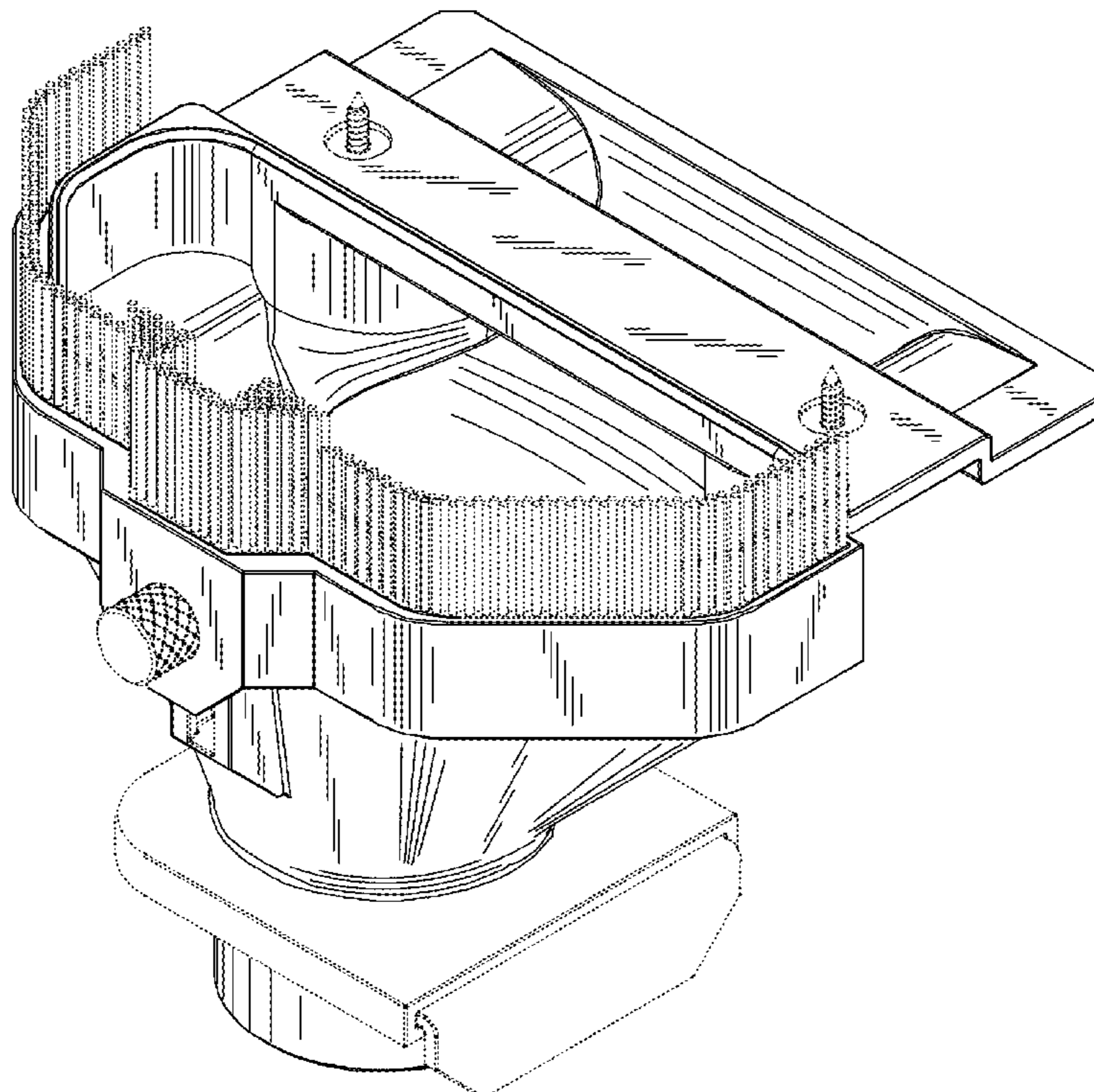
The ornamental design for a dust collection assembly, as shown and described.

DESCRIPTION

FIG. 1 is a perspective view of a dust collection assembly; FIG. 2 is left side view thereof; FIG. 3 is a right side view thereof; FIG. 4 is front view thereof; FIG. 5 is a back view thereof; FIG. 6 is a top view thereof; and, FIG. 7 is a bottom view thereof.

The broken lines show portions of a dust collection assembly which form no part of the claimed design.

1 Claim, 7 Drawing Sheets



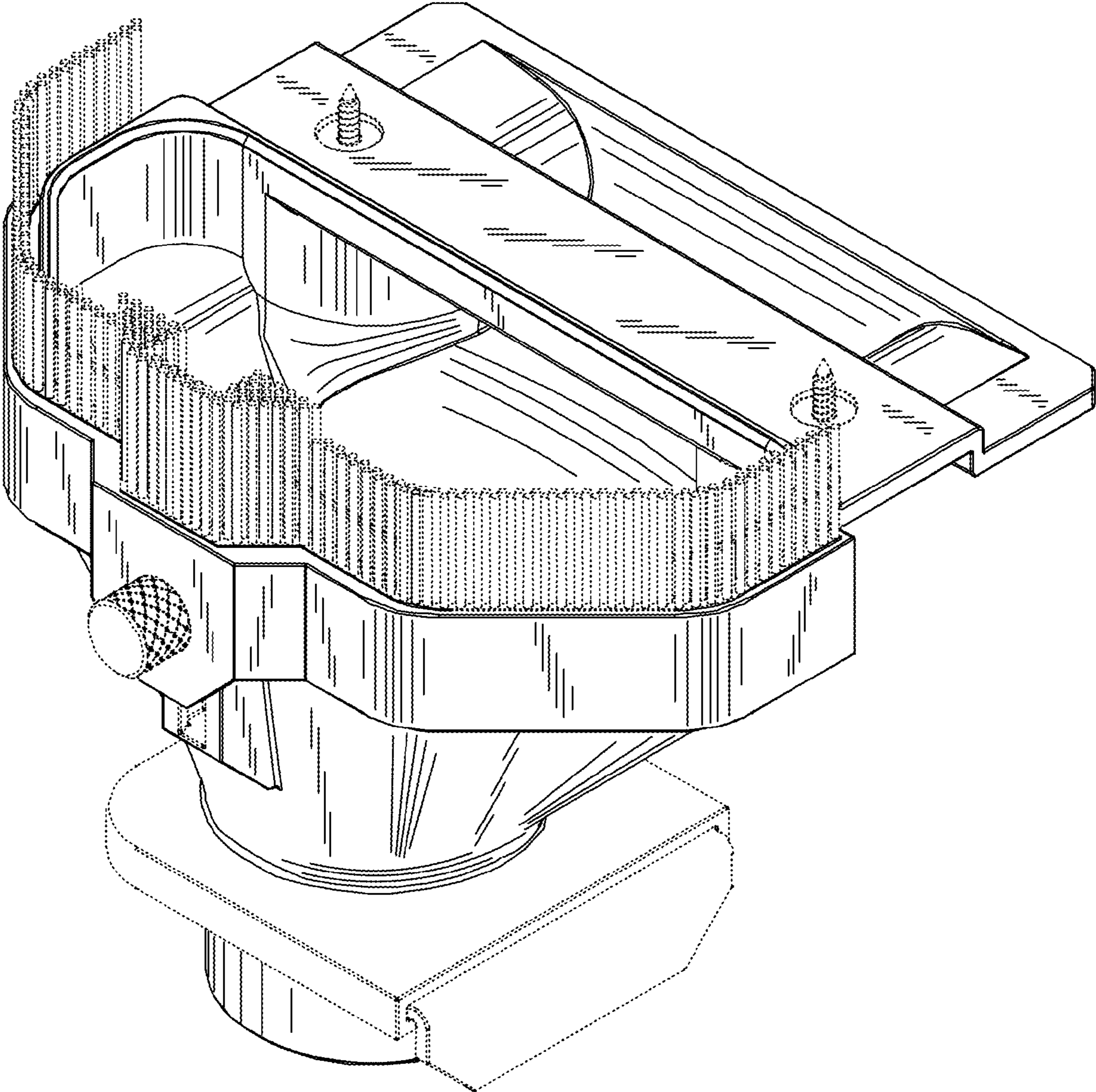


FIG. 1

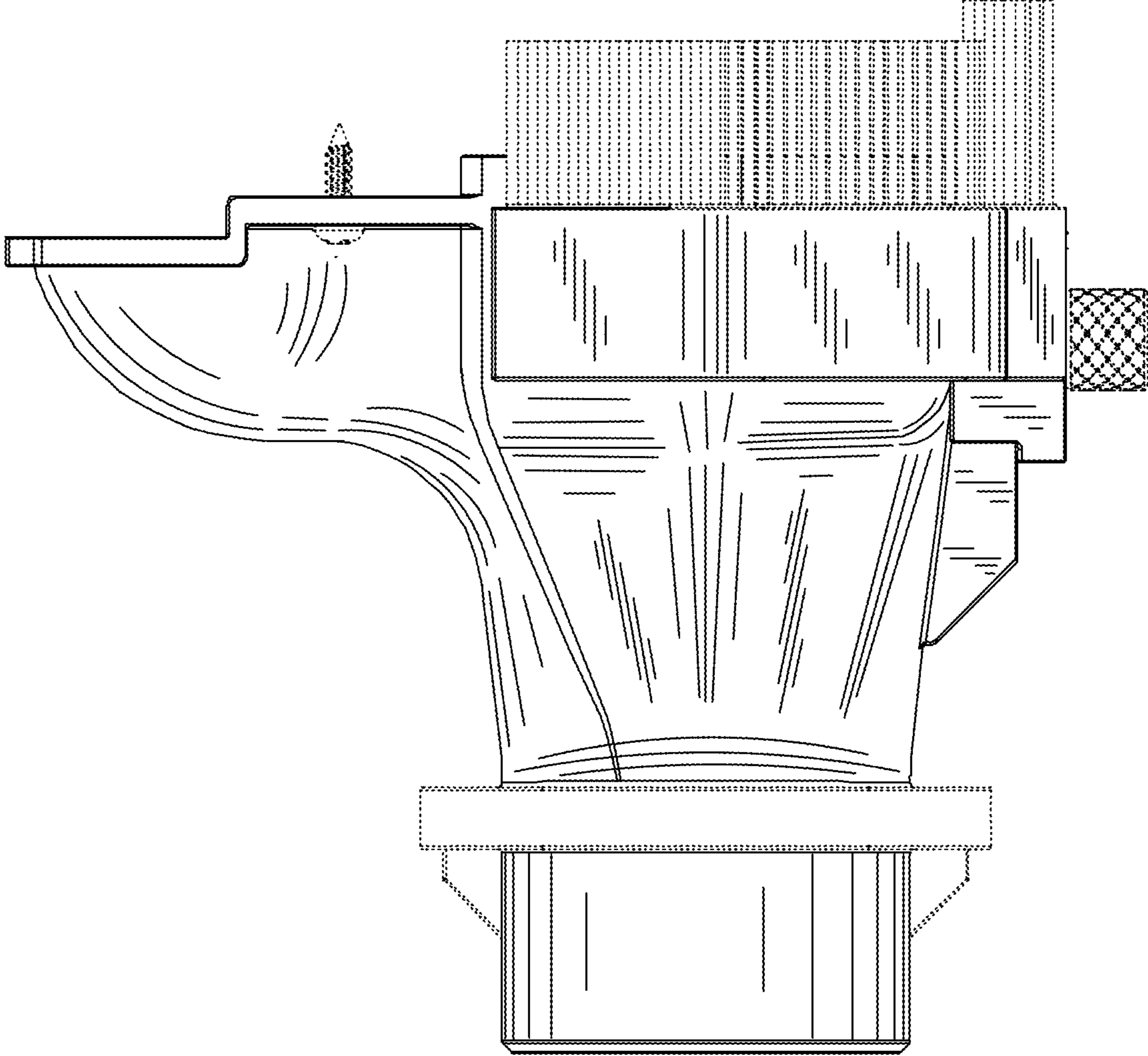


FIG. 2

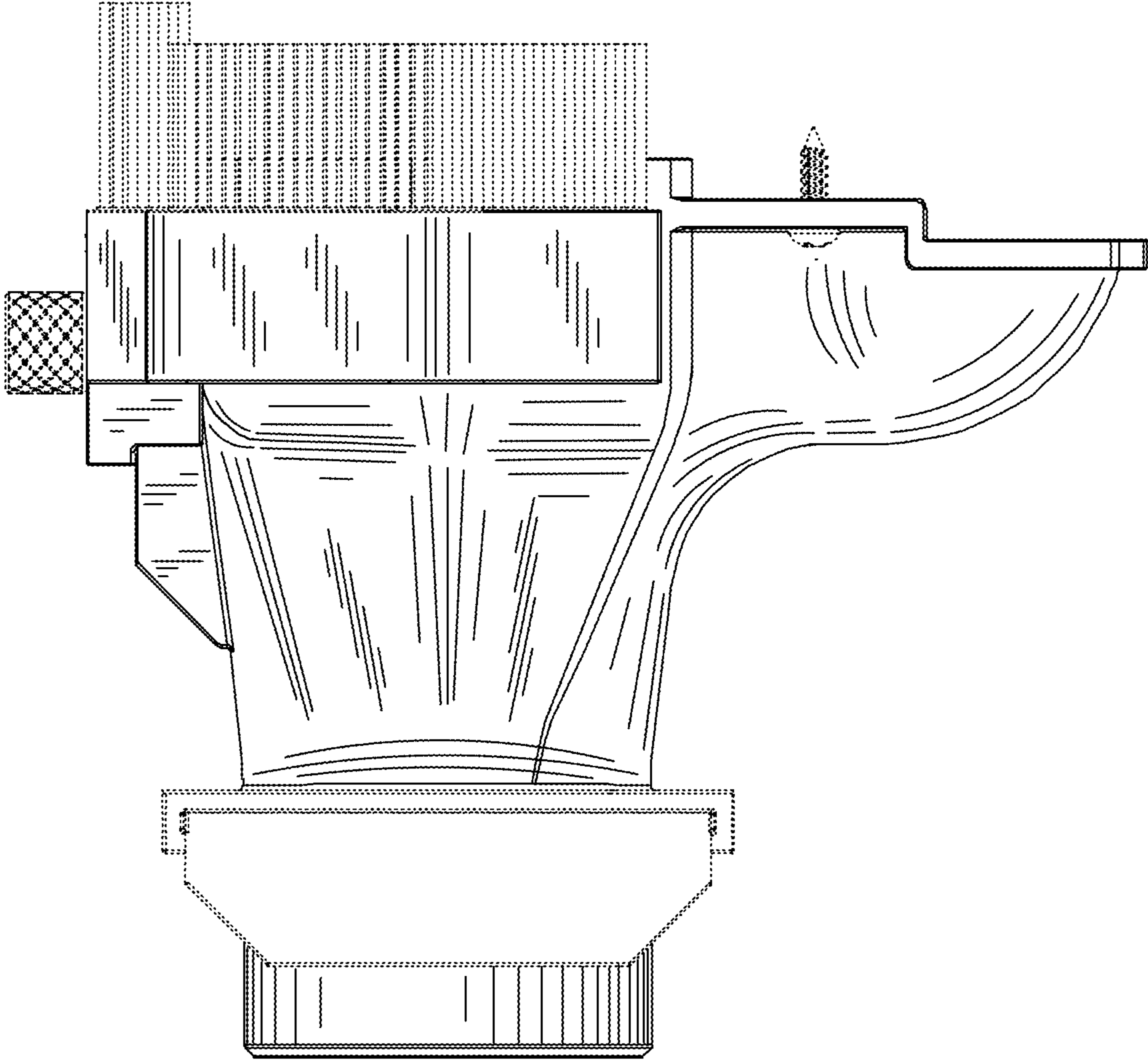


FIG. 3

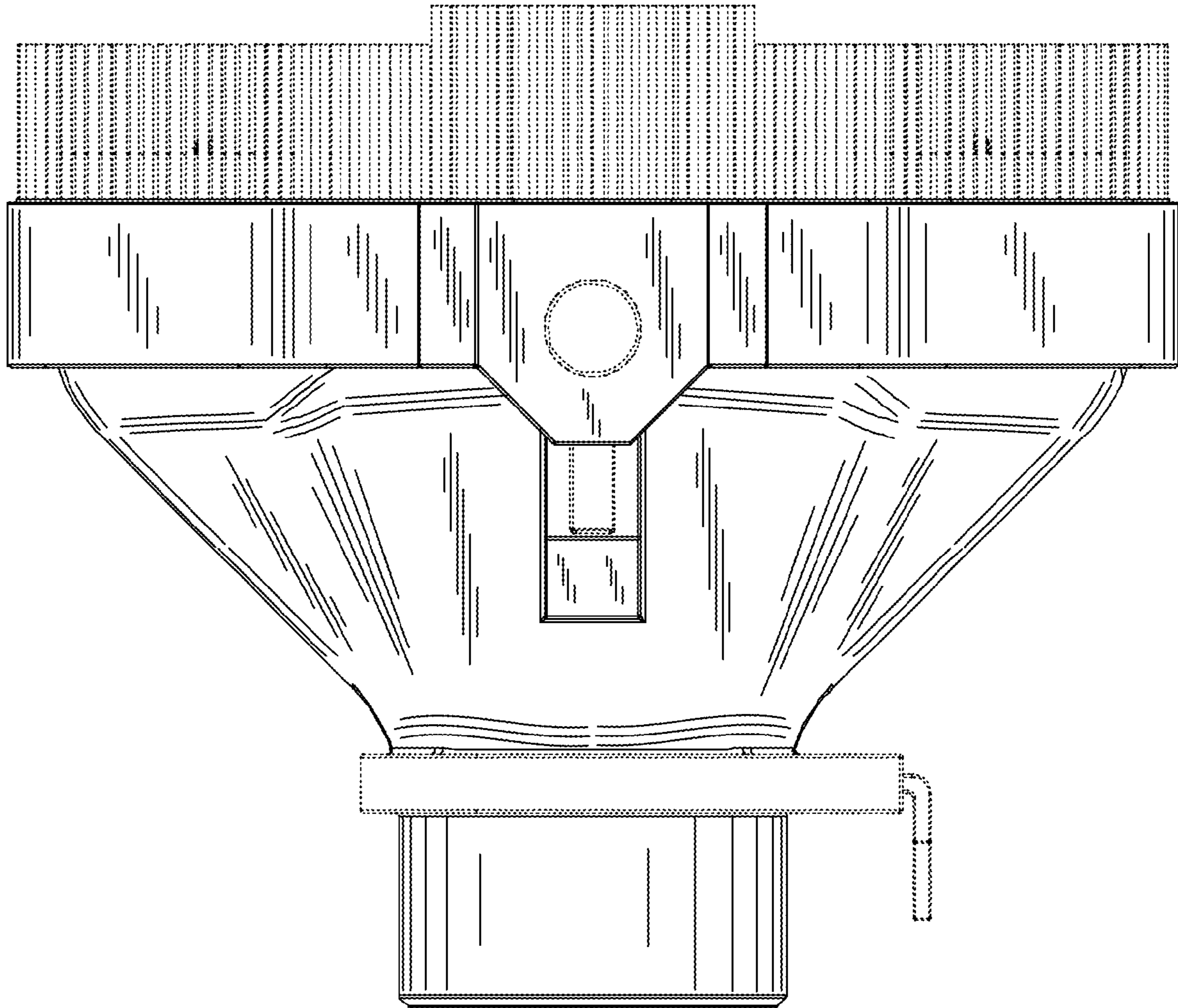


FIG. 4

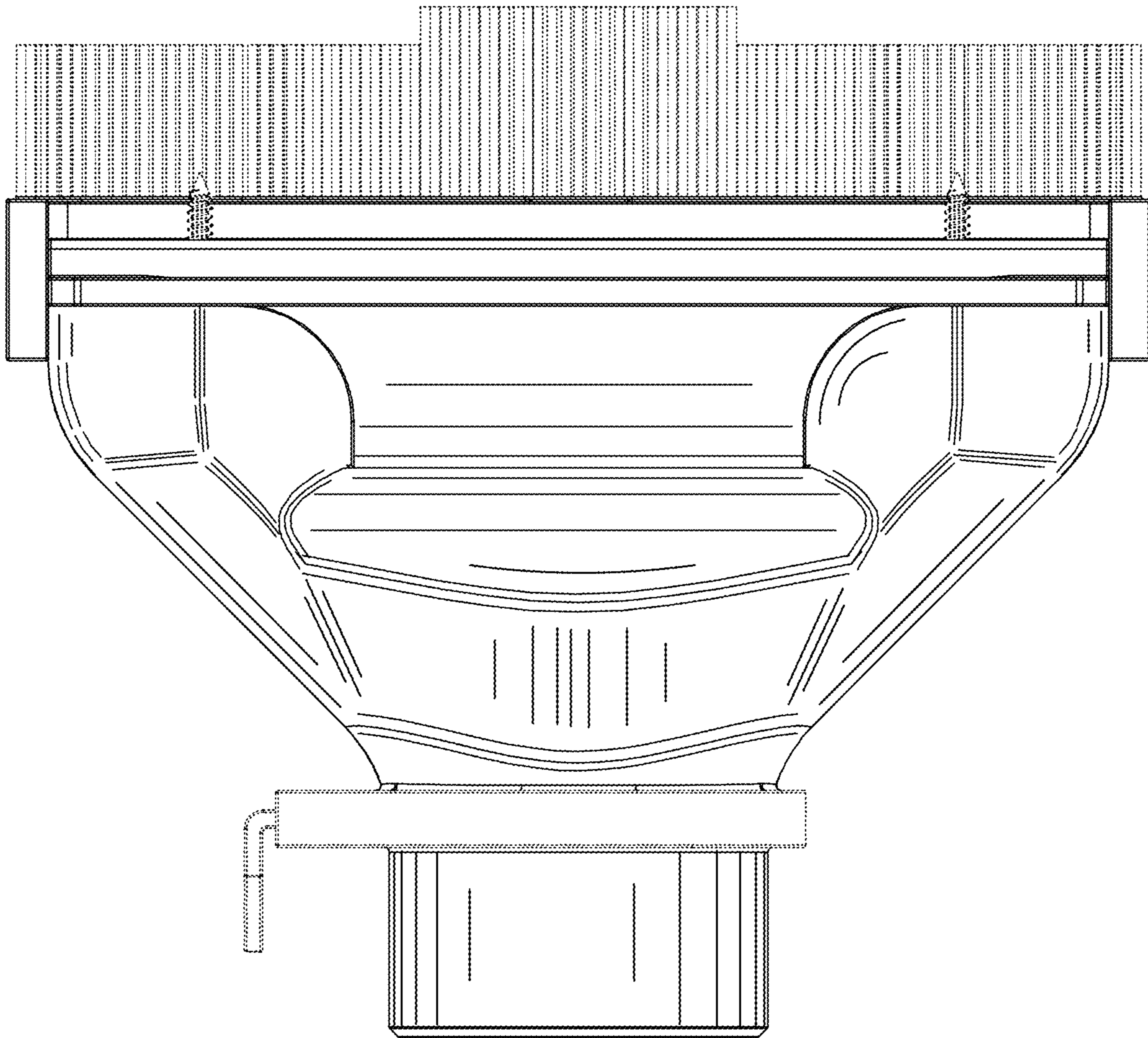


FIG. 5

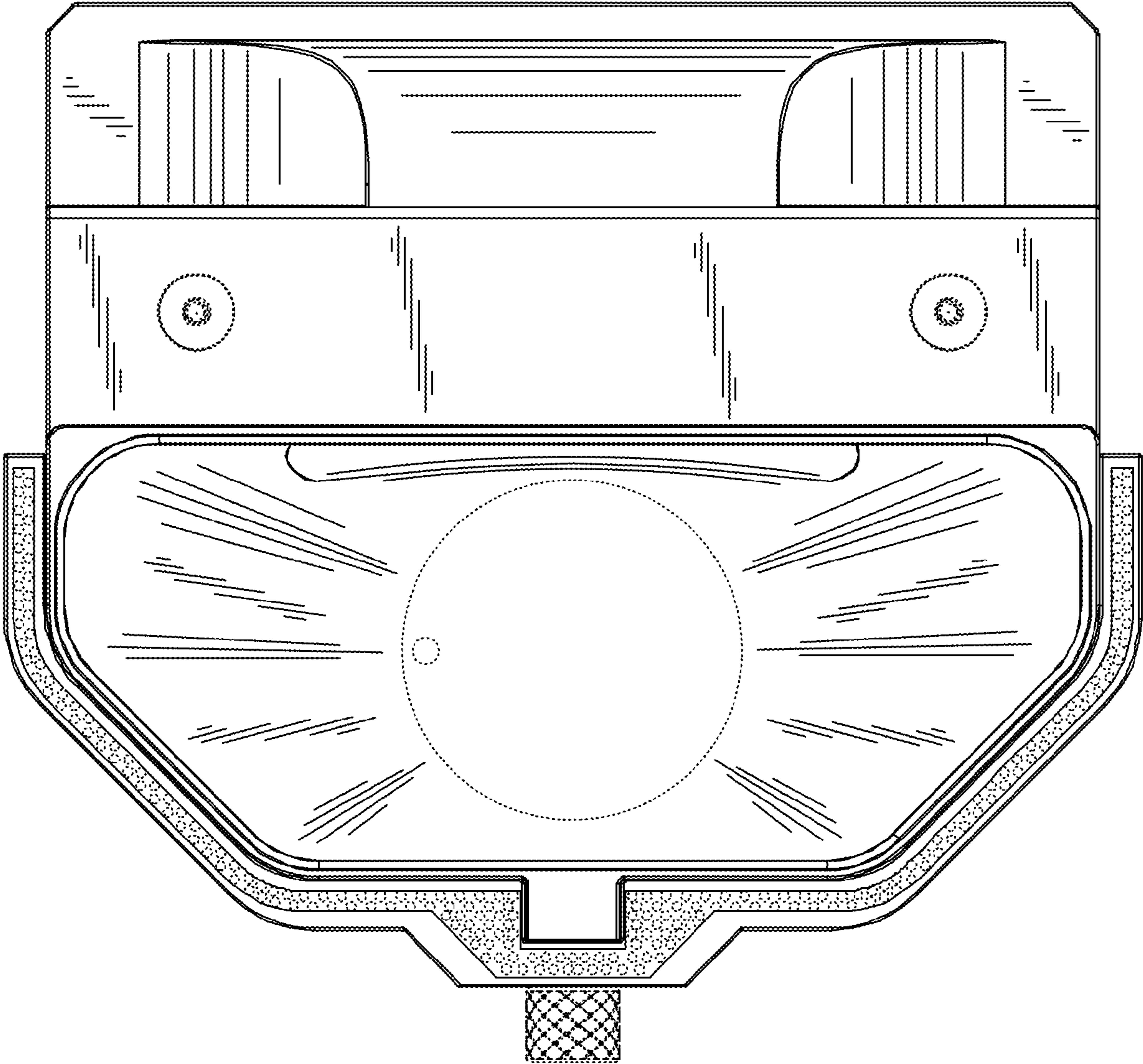


FIG. 6

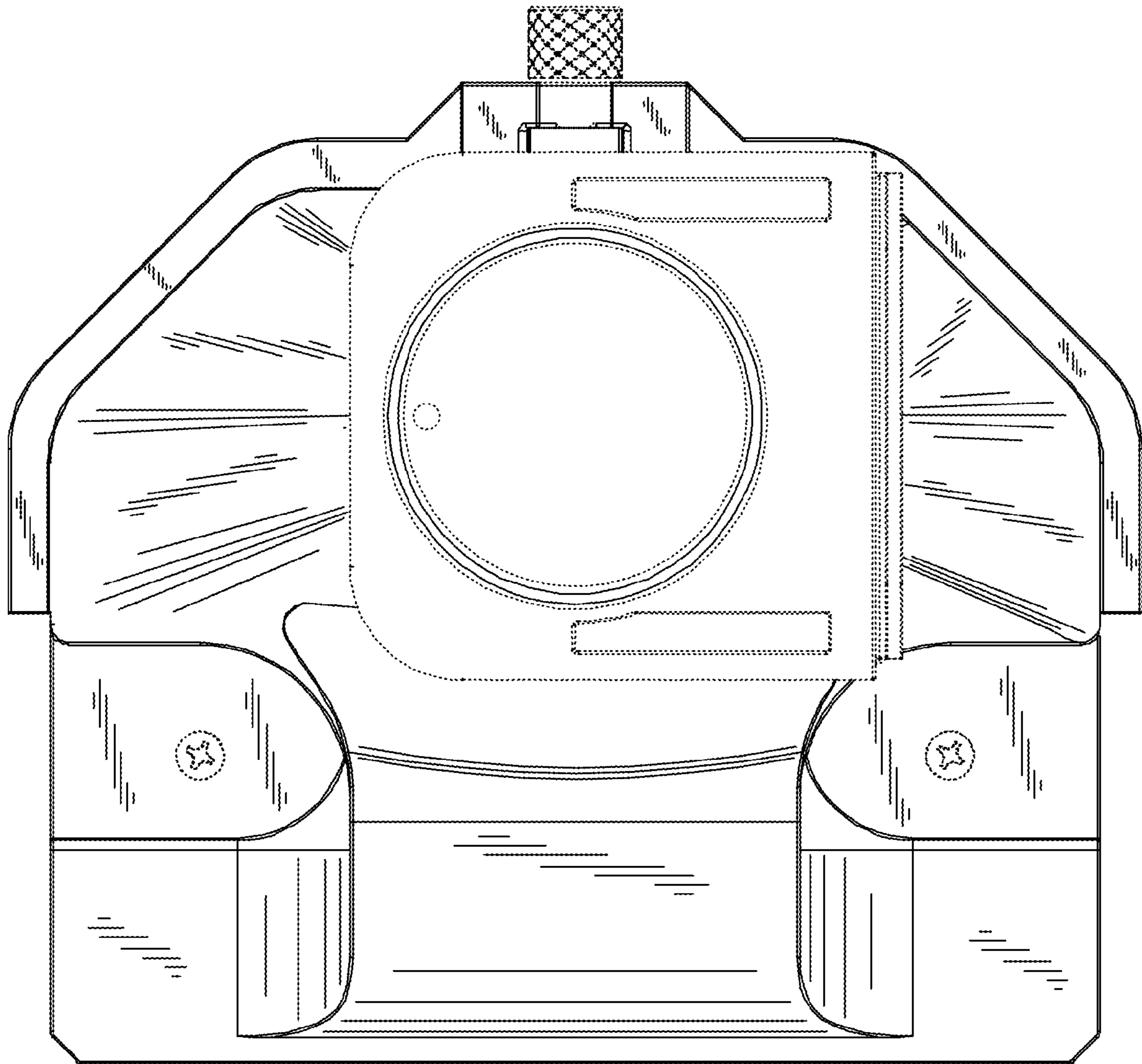


FIG. 7