



US00D988626S

(12) **United States Design Patent**
Zheng

(10) **Patent No.:** **US D988,626 S**
(45) **Date of Patent:** **** Jun. 6, 2023**

(54) **DEBRIS CONTAINER COMPONENT**

(71) Applicant: **Liping Zheng**, Guangdong (CN)

(72) Inventor: **Liping Zheng**, Guangdong (CN)

(**) Term: **15 Years**

(21) Appl. No.: **29/853,561**

(22) Filed: **Sep. 16, 2022**

(30) **Foreign Application Priority Data**

Jul. 27, 2022 (CN) 202230484846.2

(51) **LOC (14) Cl.** **15-05**

(52) **U.S. Cl.**
USPC **D32/30**

(58) **Field of Classification Search**
USPC D32/15-25, 30-34
CPC ... A47L 9/10; A47L 9/102; A47L 9/12; A47L
9/122; A47L 9/14; A47L 9/1409; A47L
9/1418; A47L 9/1427; A47L 9/1436;
A47L 9/1445; A47L 9/1454; B01D 46/02;
B01D 46/04
See application file for complete search history.

(56) **References Cited**

U.S. PATENT DOCUMENTS

- 5,472,460 A * 12/1995 Schmierer A47L 9/1427
55/377
- 5,725,620 A * 3/1998 Perea B01D 46/02
55/369
- D559,483 S * 1/2008 Matter D32/31
- D617,064 S * 6/2010 Hengvoss D32/30
- 7,799,107 B2 * 9/2010 Corney A47L 9/1445
55/377
- D654,234 S * 2/2012 Hein D32/30
- 10,842,334 B2 * 11/2020 Wolff A47L 9/1418
- 10,952,581 B2 * 3/2021 Werius A47L 9/1436
- 10,986,969 B2 * 4/2021 Werius A47L 9/1427
- 11,006,797 B1 * 5/2021 Cho A47L 9/00
- D965,244 S * 9/2022 Zheng D34/7
- 11,452,418 B2 * 9/2022 Na A47L 9/1472

- D975,391 S * 1/2023 Li D32/31
- D980,564 S * 3/2023 Zhu D32/31
- D980,573 S * 3/2023 Zheng D34/7
- 2022/0313041 A1 * 10/2022 Zhong A47L 9/1463

FOREIGN PATENT DOCUMENTS

CN 307256881 * 4/2022

OTHER PUBLICATIONS

Filter Dust Bag For Irobots Roombas (on-line), no date available. Retrieved from Internet Dec. 22, 2022, URL: https://www.alibaba.com/product-detail/Avoid-Patents-Sweeper-Robot-Vacuum-Cleaner_1600509371475.html (1 page).*

* cited by examiner

Primary Examiner — Kimberly Barnes

(57) **CLAIM**

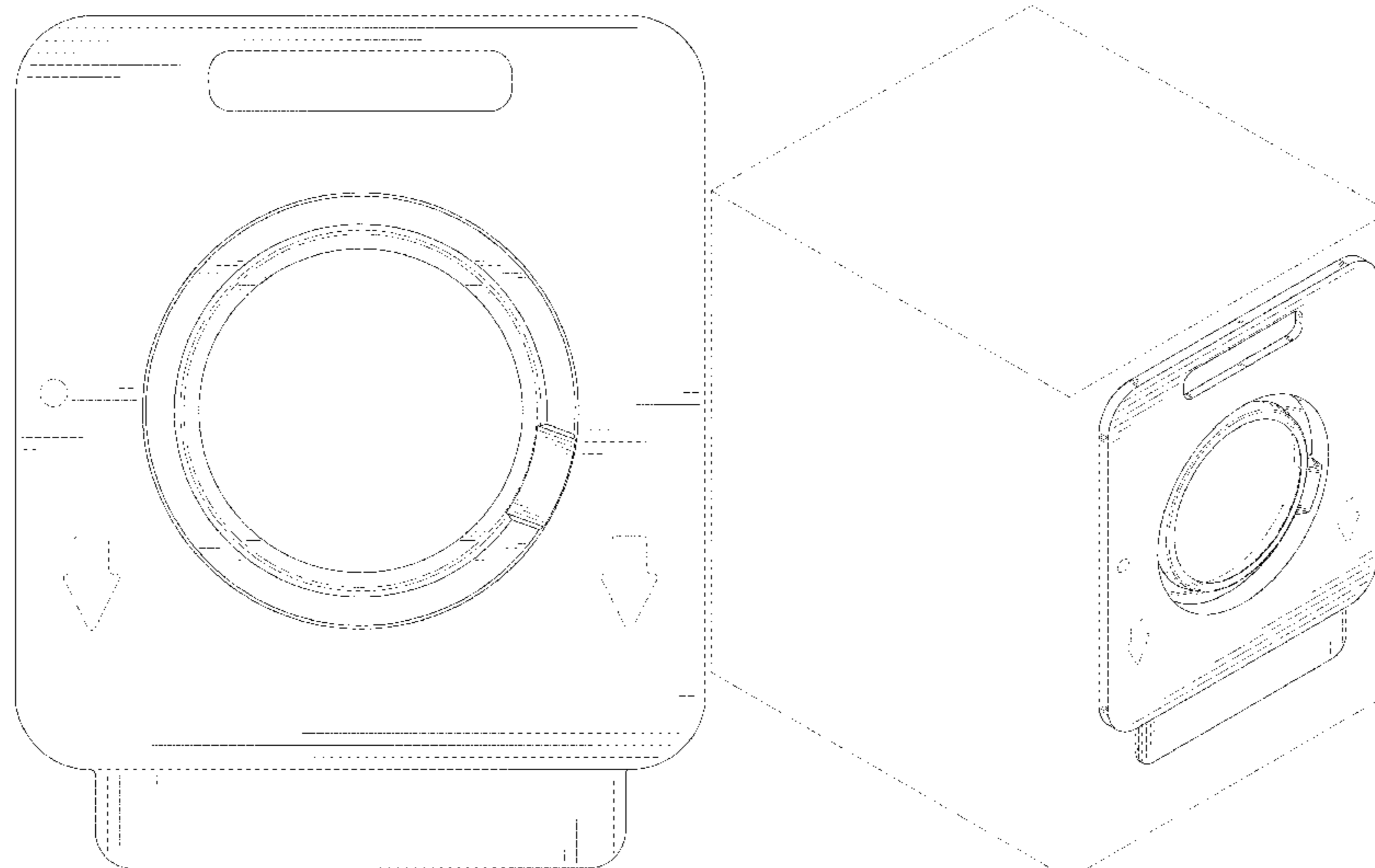
The ornamental design for a debris container component, as shown and described.

DESCRIPTION

FIG. 1 is a front and top perspective view of a debris container component, showing my new design; FIG. 2 is a rear and bottom perspective view thereof; FIG. 3 is a front elevation view thereof; FIG. 4 is a rear elevation view thereof; FIG. 5 is a left side elevation view thereof; FIG. 6 is a right side elevation view thereof; FIG. 7 is a top plan view thereof; FIG. 8 is a bottom plan view thereof; and, FIG. 9 is another perspective view thereof, shown in a position of use.

The broken lines in the figures illustrate portions of the debris container component that form no part of the claimed design. The broken lines showing of a container body in FIG. 9 depict environmental structure that form no part of the claimed design.

1 Claim, 9 Drawing Sheets



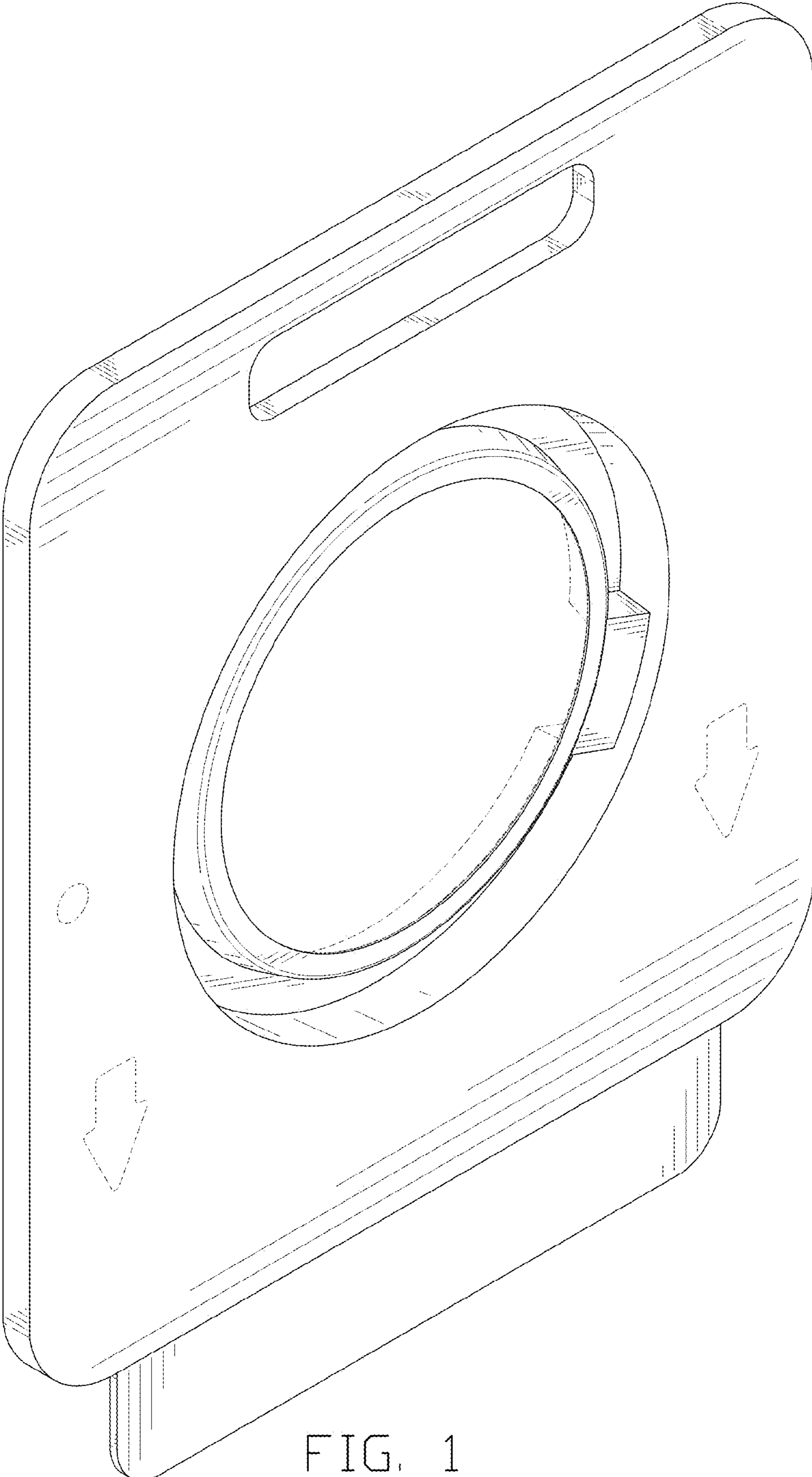


FIG. 1

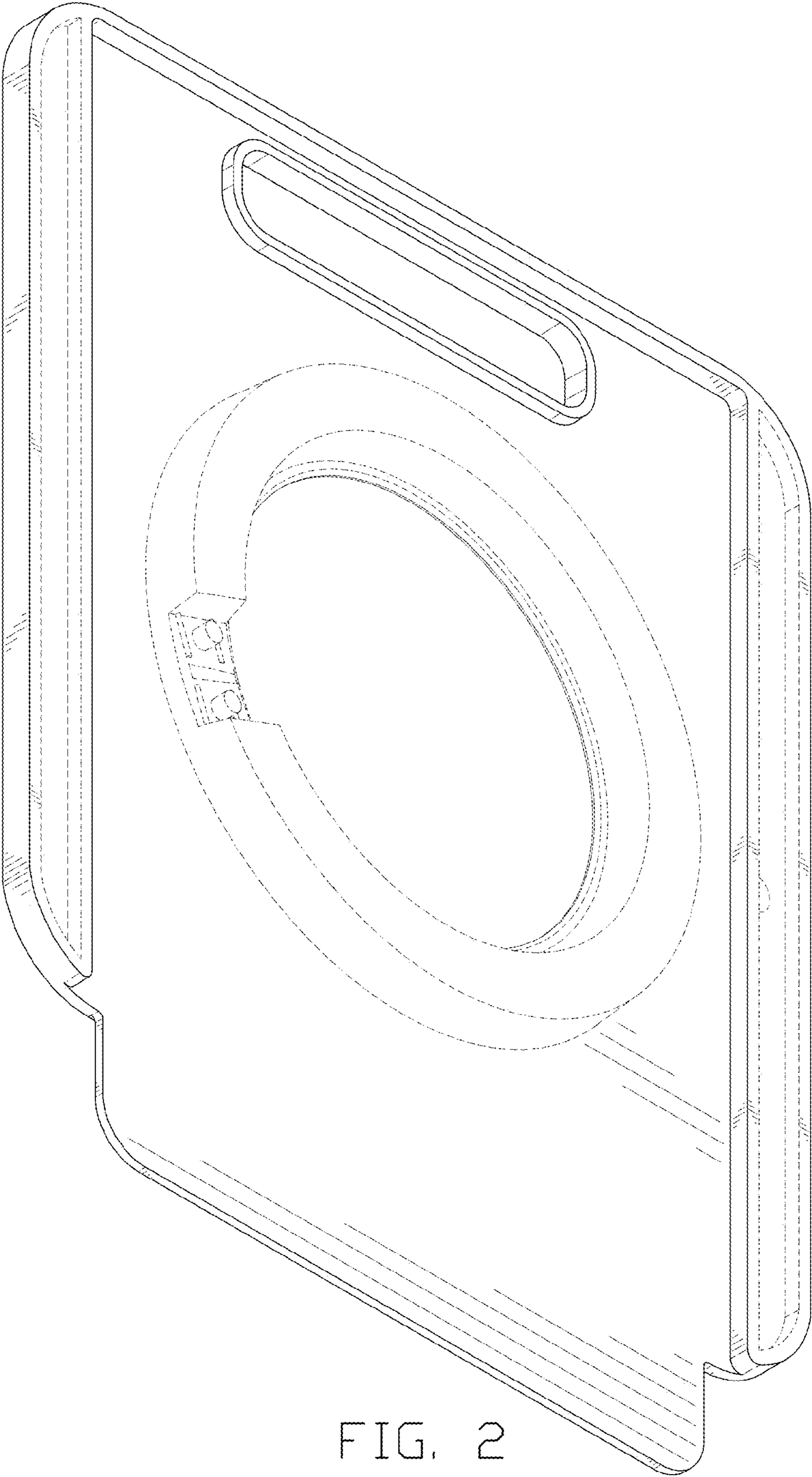


FIG. 2

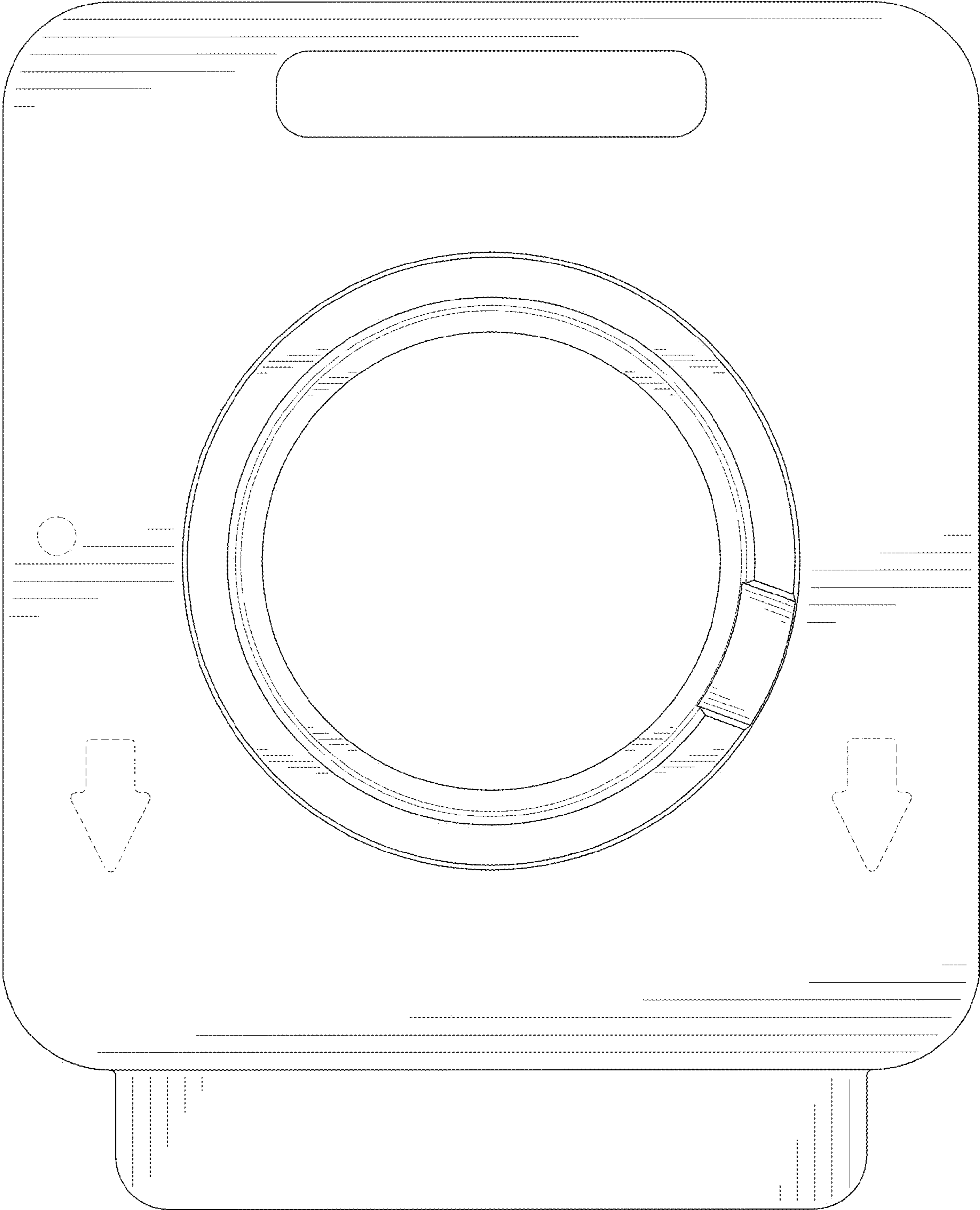


FIG. 3

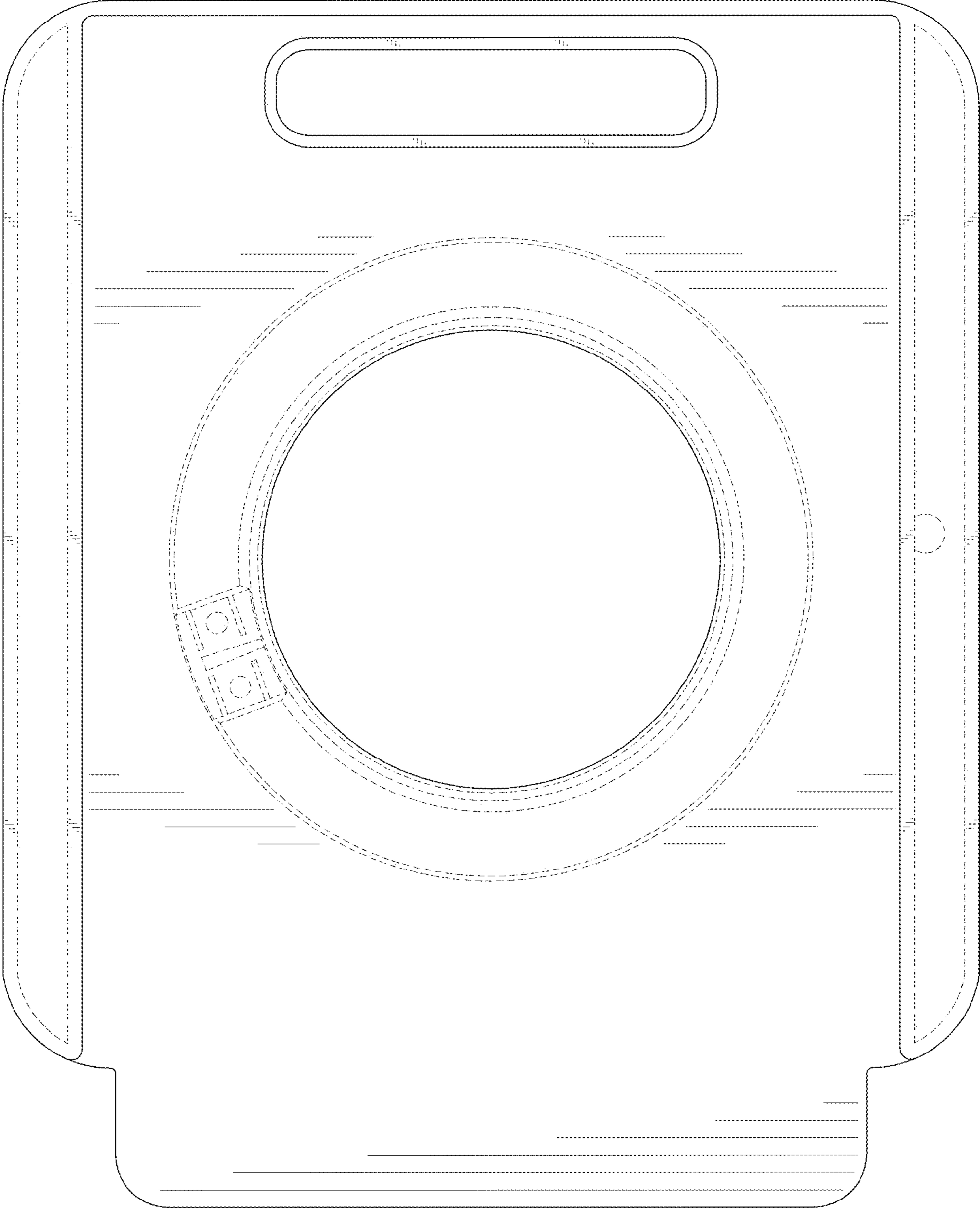


FIG. 4

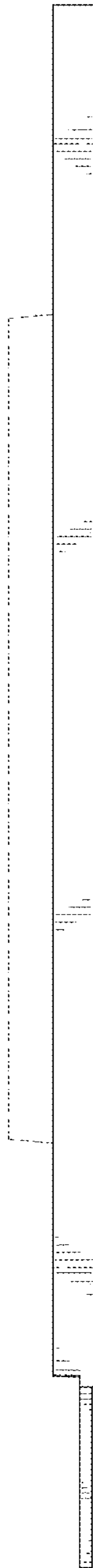


FIG. 5

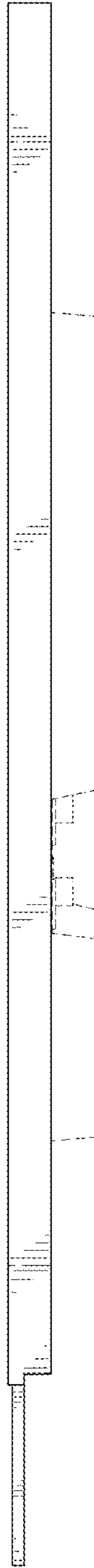


FIG. 6

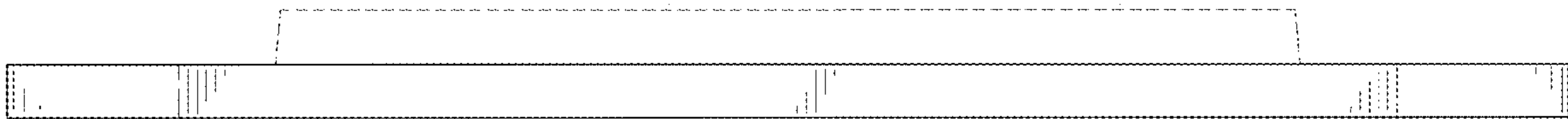


FIG. 7

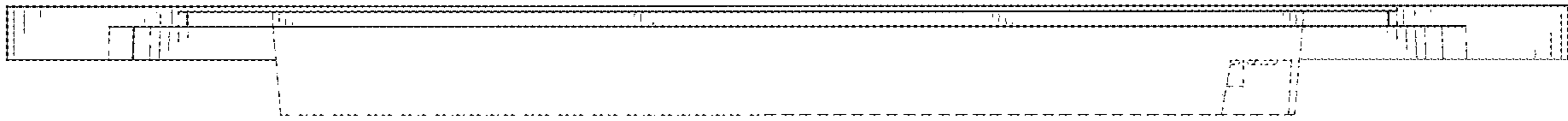


FIG. 8

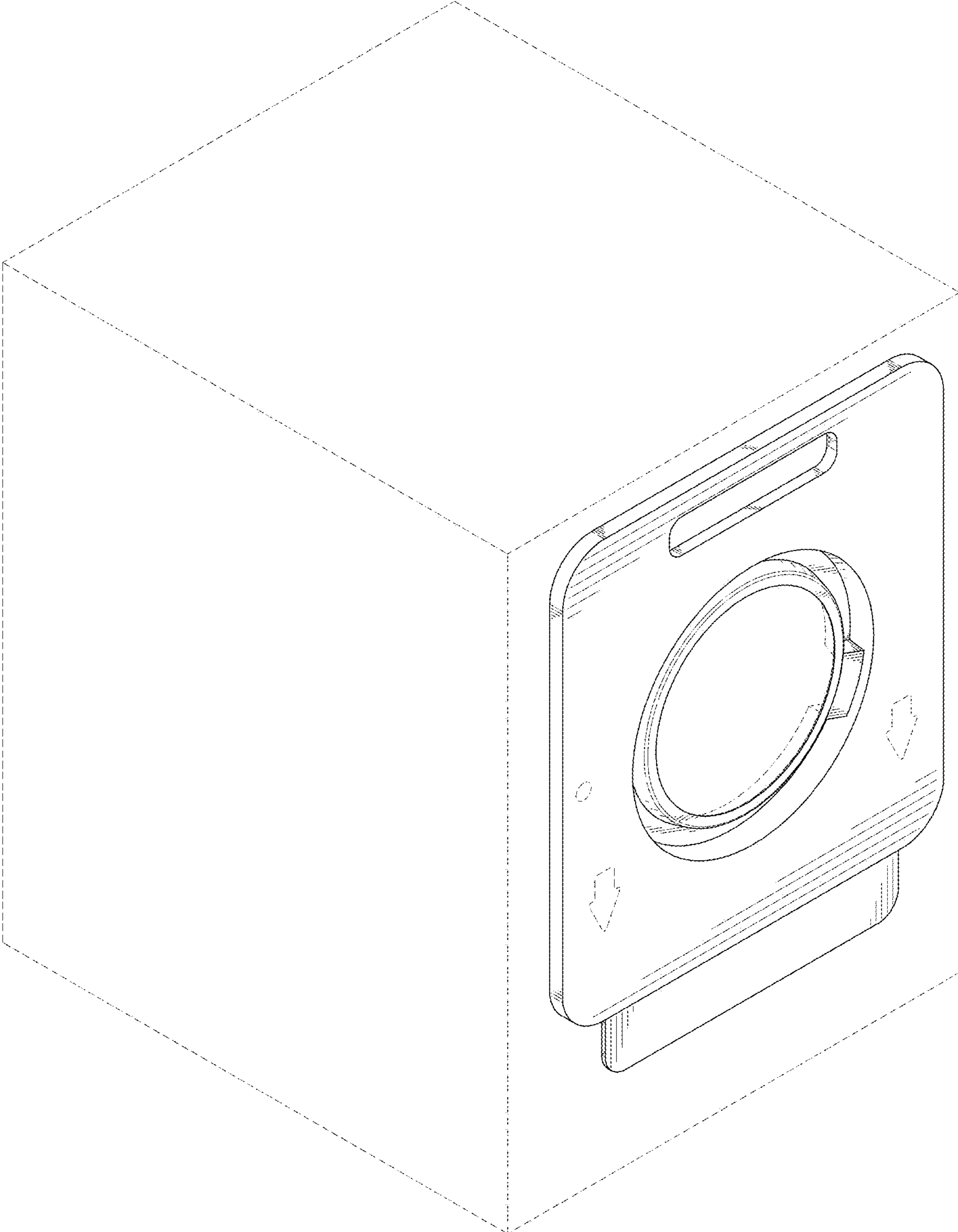


FIG. 9