



US00D988625S

(12) **United States Design Patent**
Landberg et al.

(10) **Patent No.:** **US D988,625 S**

(45) **Date of Patent:** **** *Jun. 6, 2023**

(54) **DUST COLLECTOR LID**

(71) Applicant: **HUSQVARNA AB**, Huskvarna (SE)

(72) Inventors: **Gustav Landberg**, Trosa (SE); **Marcin Widlund**, Johanneshov (SE); **Therese Cevenell**, Huddinge (SE); **Ricardo Sa Freire**, Johanneshov (SE)

(73) Assignee: **HUSQVARNA AB**, Huskvarna (SE)

(*) Notice: This patent is subject to a terminal disclaimer.

(**) Term: **15 Years**

(21) Appl. No.: **29/772,623**

(22) Filed: **Mar. 3, 2021**

(30) **Foreign Application Priority Data**

Sep. 4, 2020 (EM) 008159446-0002

(51) **LOC (14) Cl.** **15-05**

(52) **U.S. Cl.**
USPC **D32/21**

(58) **Field of Classification Search**
USPC D32/15, 17-24, 31-34
CPC A47L 5/24; A47L 7/0076; A47L 11/04;
A47L 11/22; A47L 5/28; A47L 9/106;
A47L 11/30; A47L 11/4005; A47L 9/32;
A47L 9/322; A47L 9/325; A47L 9/10;
A47L 9/102; A47L 9/127; B04C 5/185;
E04H 4/1636

See application file for complete search history.

(56) **References Cited**

U.S. PATENT DOCUMENTS

D633,665 S * 3/2011 Dammkoehler D32/21
D655,874 S * 3/2012 Dammkoehler D32/24

D660,529 S * 5/2012 Dammkoehler D32/21
D667,597 S * 9/2012 Dammkoehler D32/21
D714,501 S * 9/2014 Dammkoehler D32/22
D743,648 S * 11/2015 Imsand D32/21
D746,523 S * 12/2015 Jin D32/21
D782,759 S * 3/2017 Mathiassen D32/21
D802,861 S * 11/2017 Jin D32/21
D937,508 S * 11/2021 Alexander D32/15
D940,414 S * 1/2022 Austin D32/21
D944,474 S * 2/2022 Kuhls D32/15
D953,669 S * 5/2022 Kuhls D32/21

* cited by examiner

Primary Examiner — Kimberly Barnes

(74) *Attorney, Agent, or Firm* — Burr & Forman, LLP

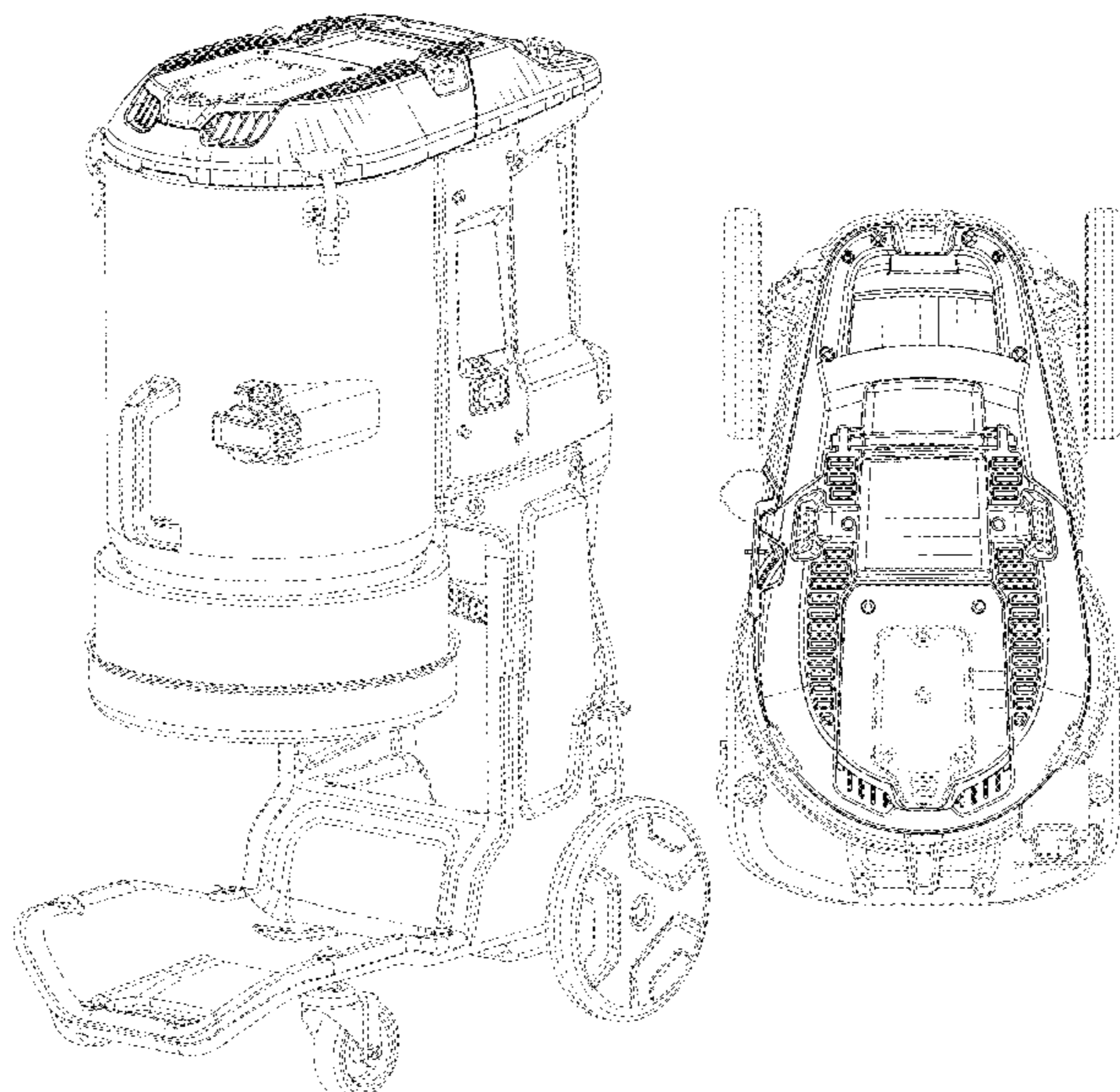
(57) **CLAIM**

The ornamental design for a dust collector lid, as shown and described.

DESCRIPTION

FIG. 1 is a perspective view of a dust collector lid of the present invention;
FIG. 2 is a back view of the dust collector lid of FIG. 1;
FIG. 3 is a front view of the dust collector lid of FIG. 1;
FIG. 4 is a left side view of the dust collector lid of FIG. 1;
FIG. 5 is a right side view of the dust collector lid of FIG. 1;
FIG. 6 is a top view of the dust collector lid of FIG. 1; and,
FIG. 7 is a bottom view of the dust collector lid of FIG. 1.
The broken lines in FIGS. 1-7 depict portions of the dust collector lid that form no part of the claimed design. The broken lines depicting the remainder of the dust collector represent environmental subject matter that forms no part thereof.

1 Claim, 7 Drawing Sheets



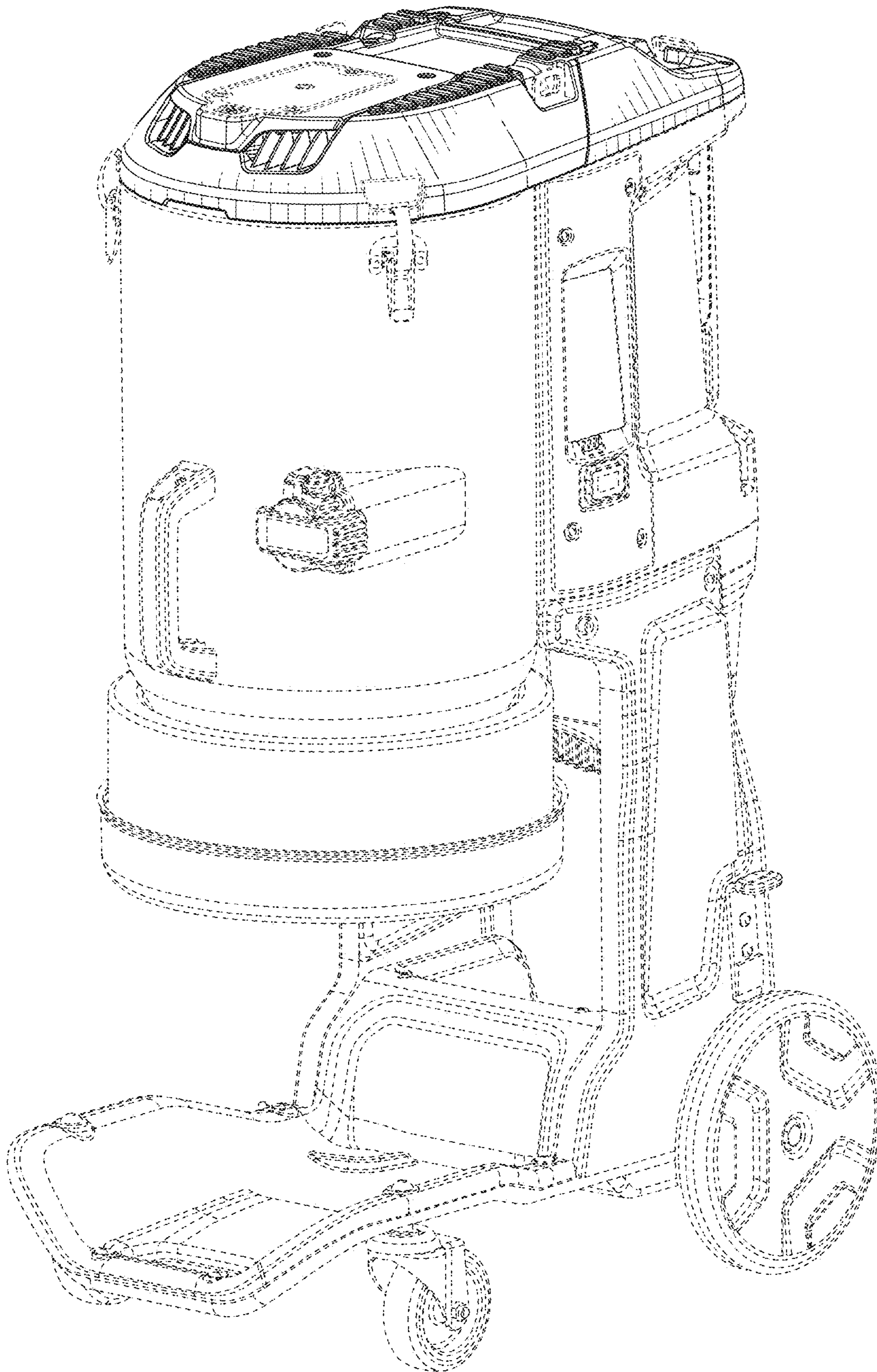


FIG. 1

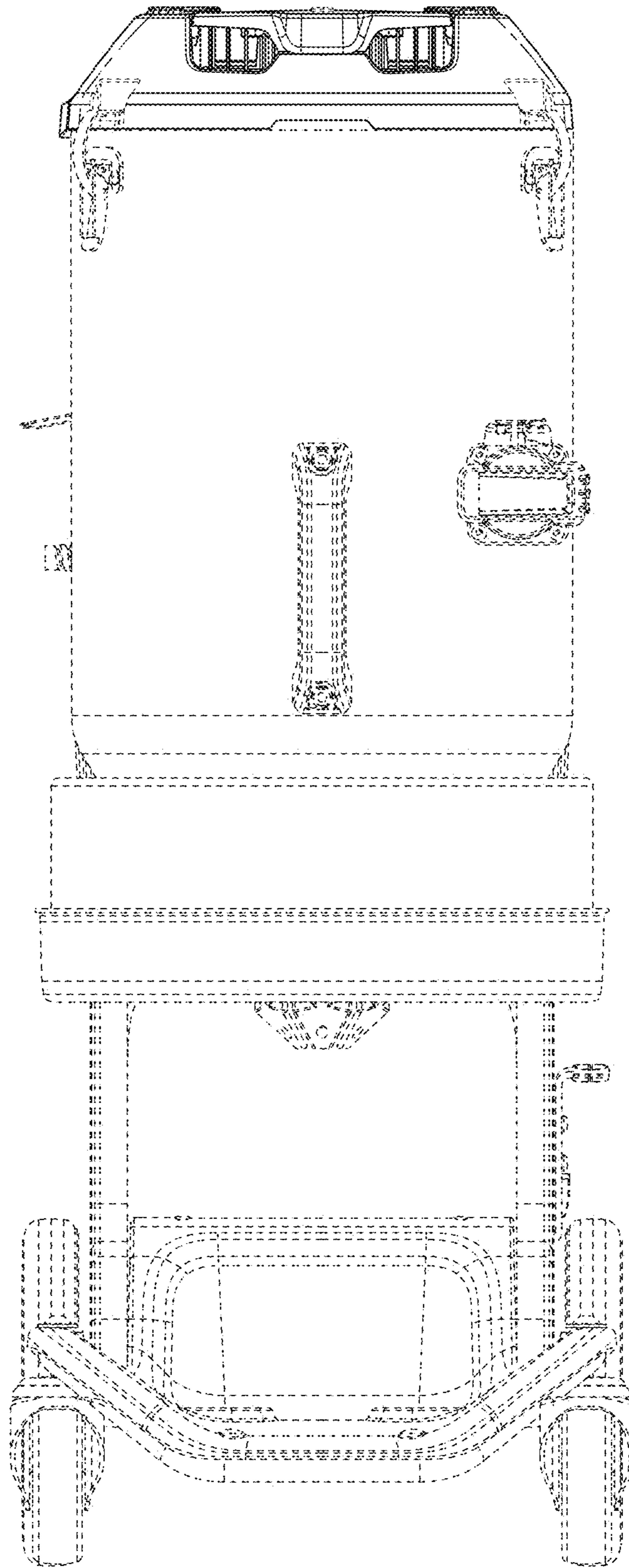


FIG. 2

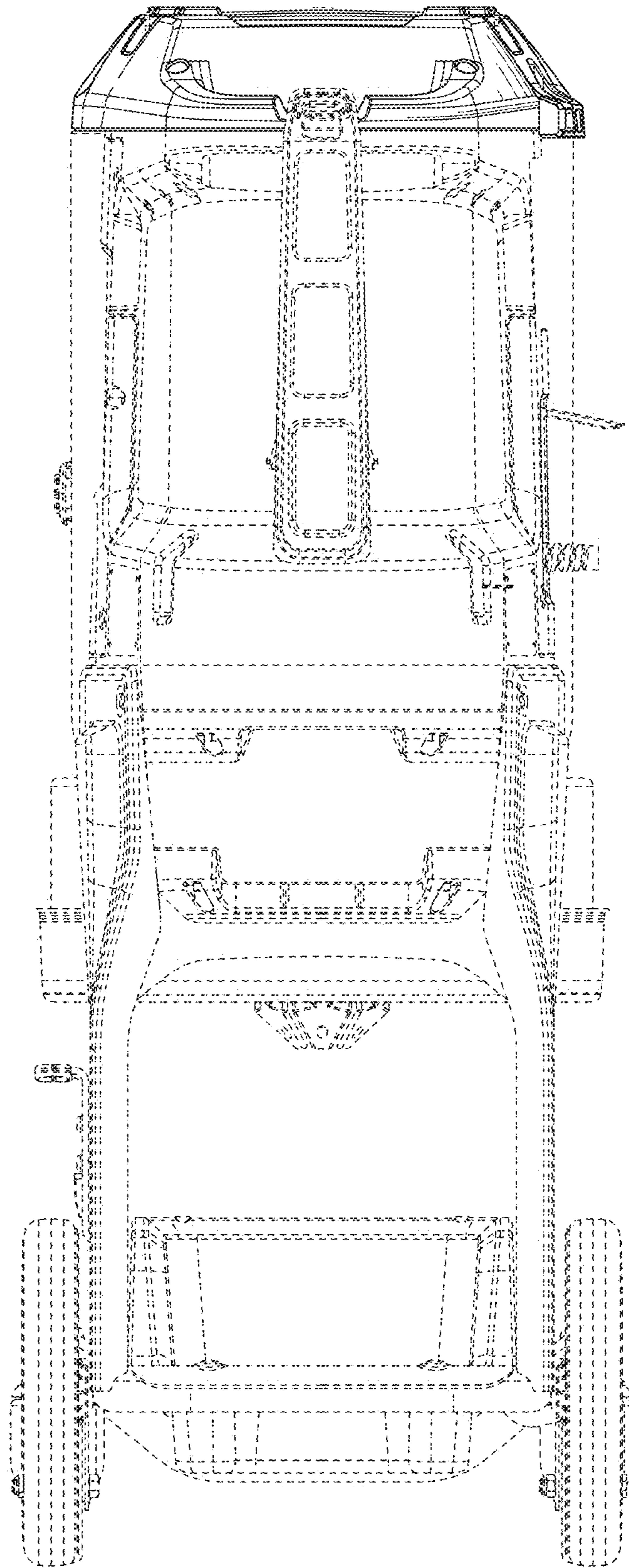


FIG. 3

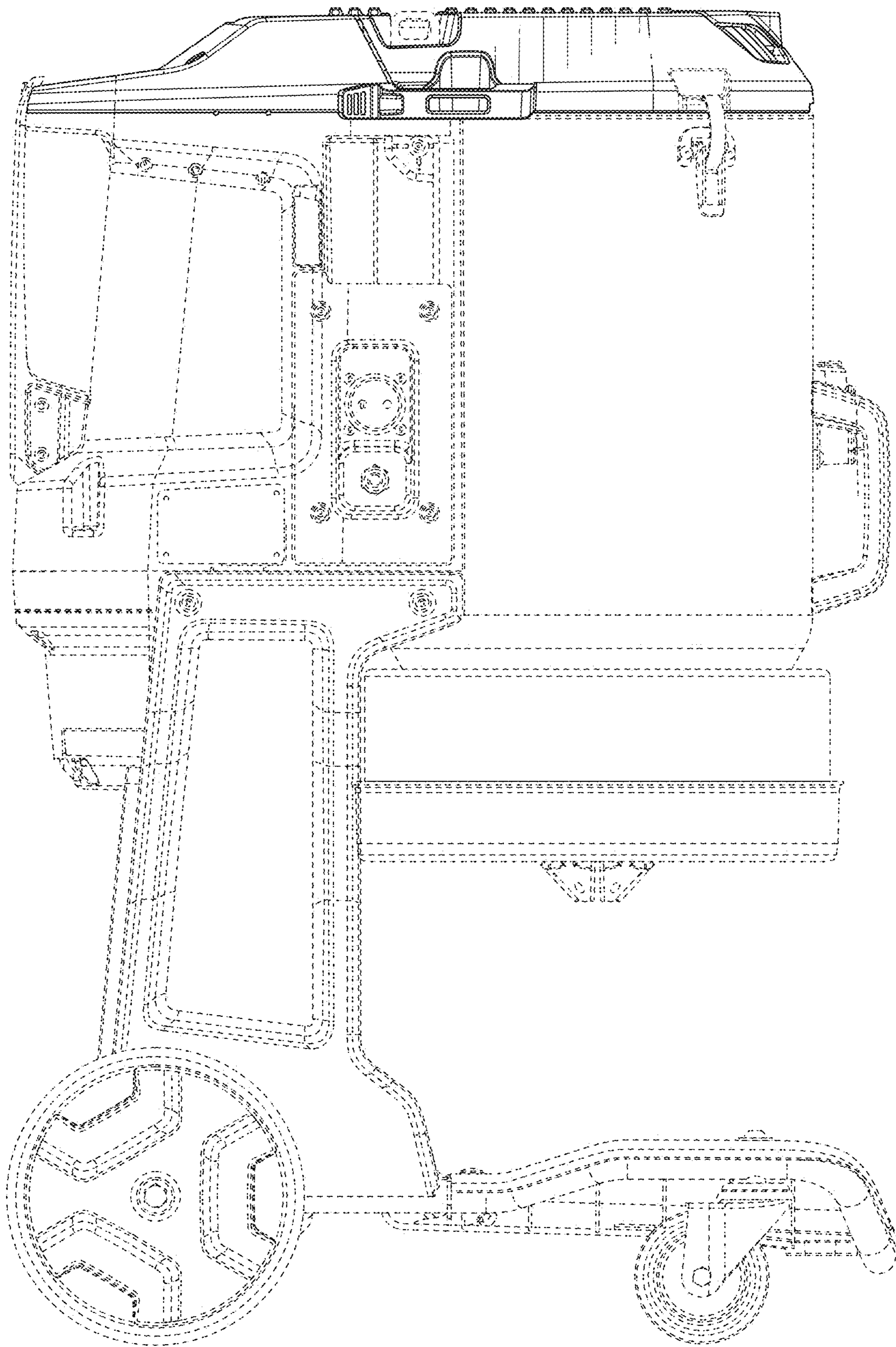


FIG. 4

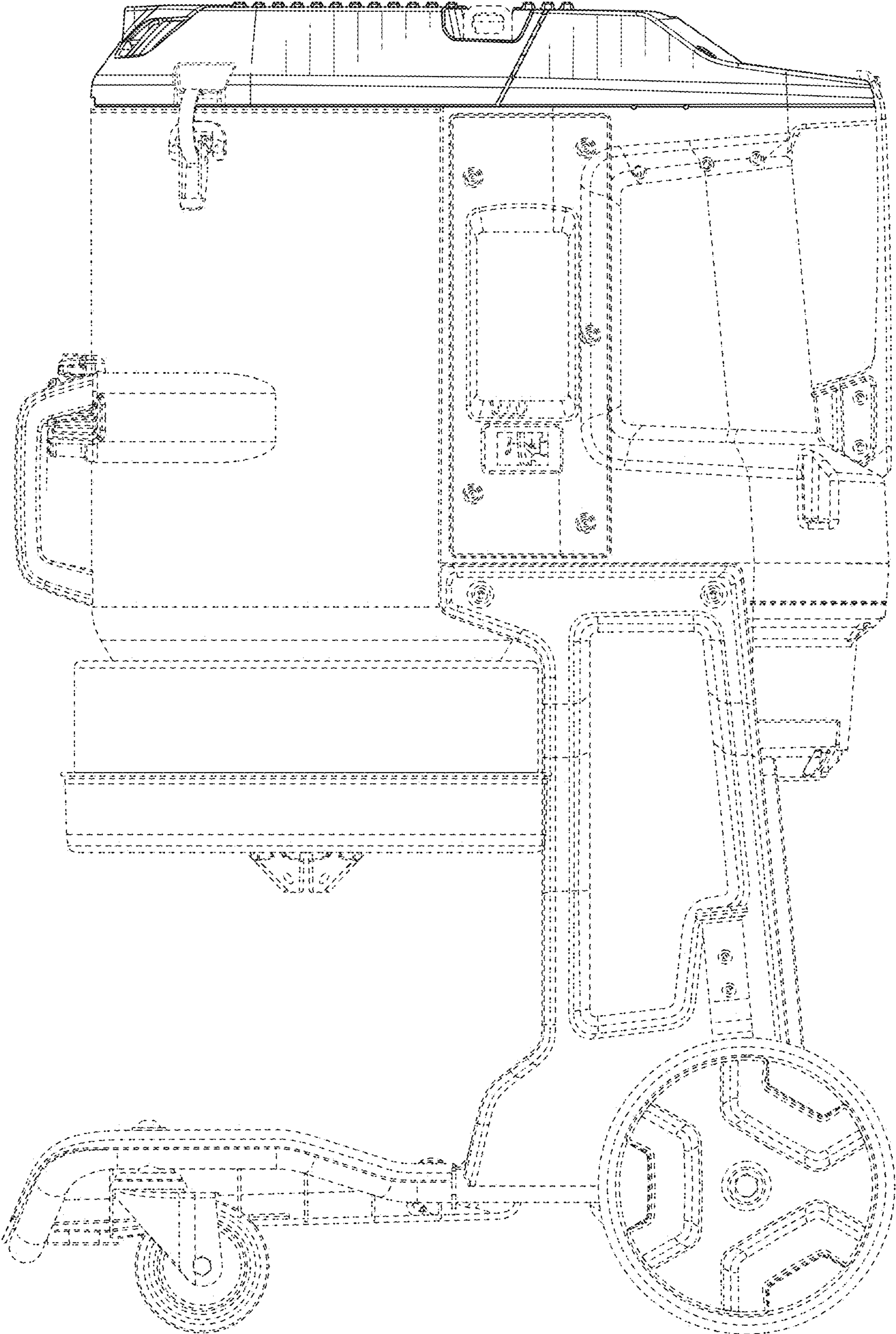


FIG. 5

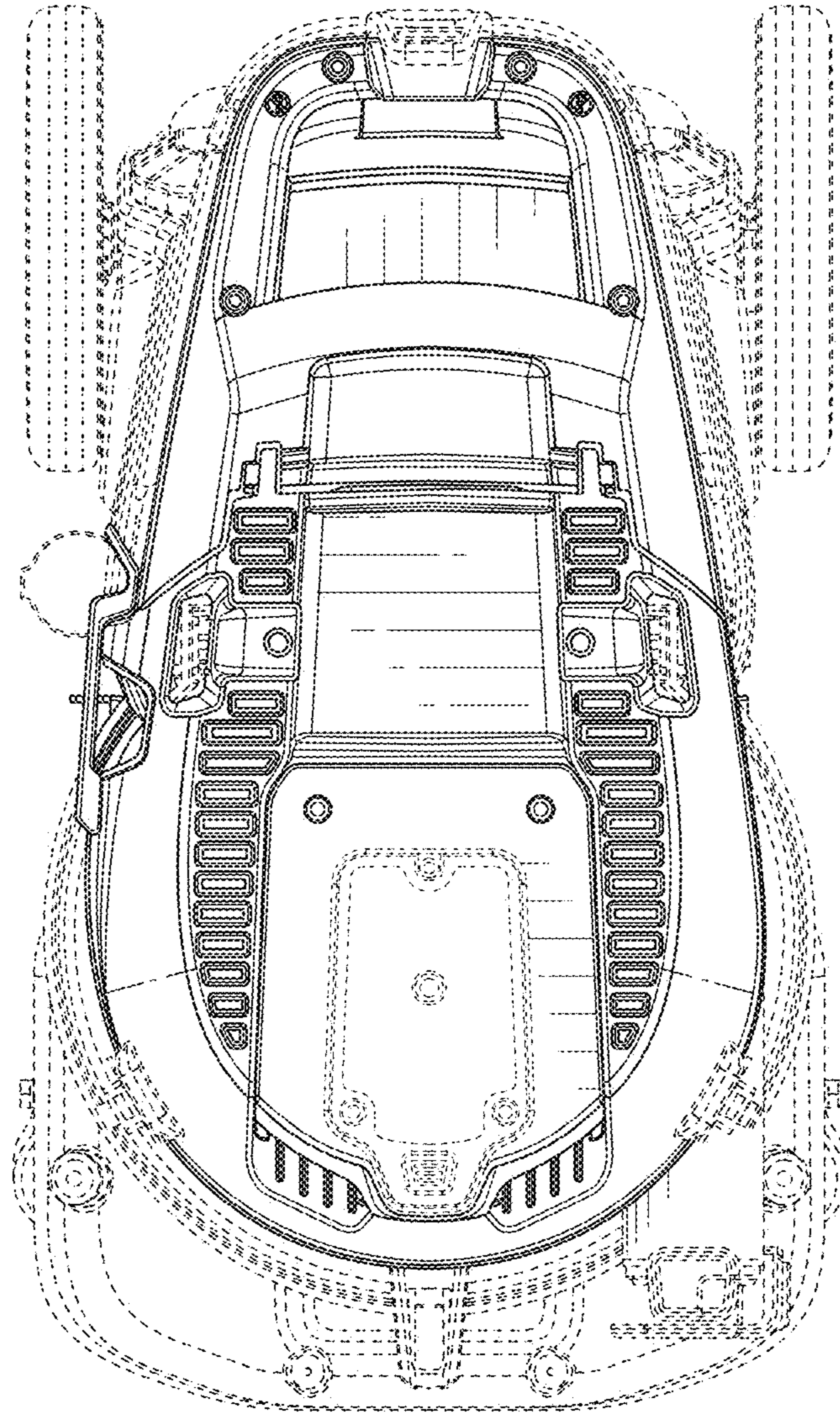


FIG. 6

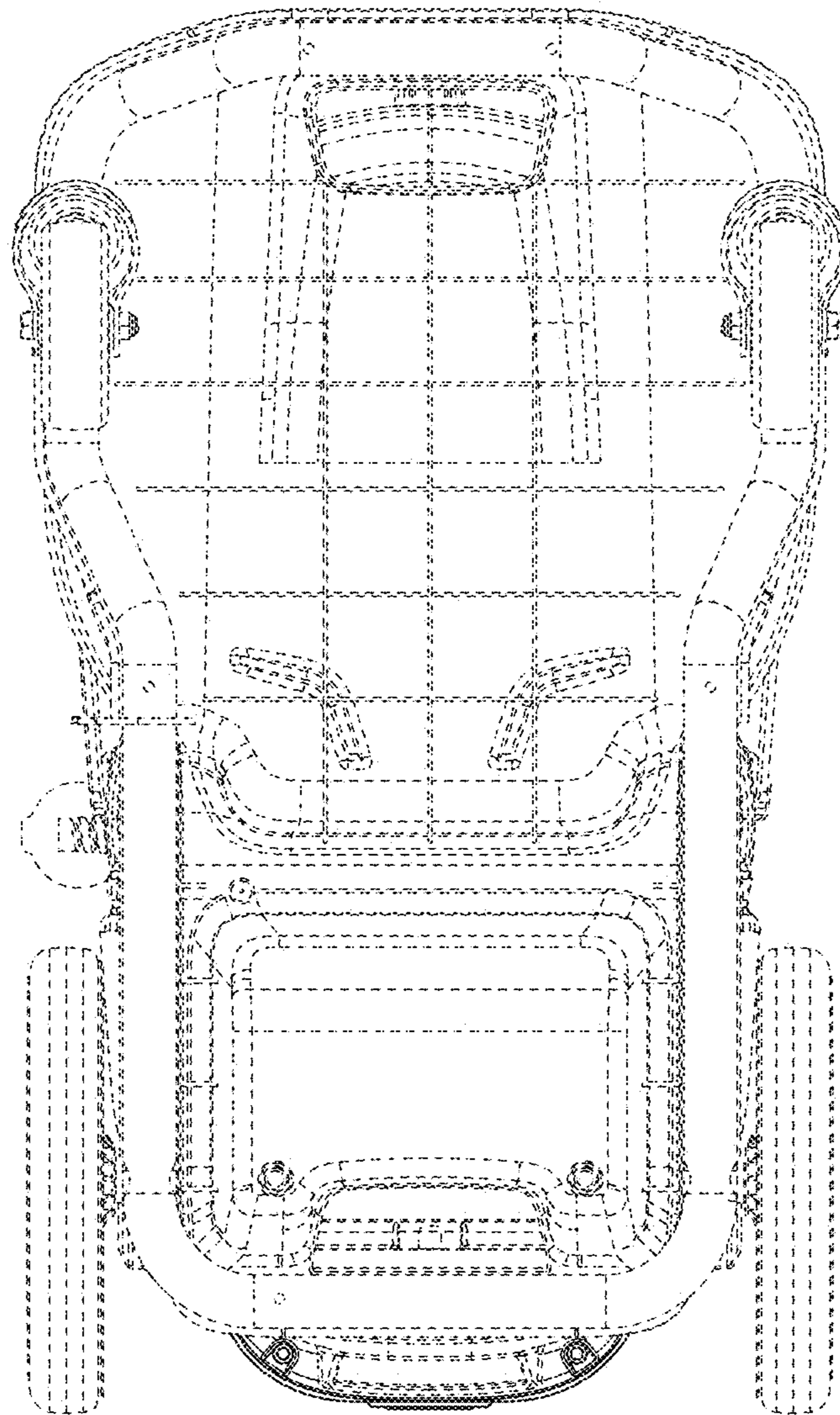


FIG. 7