



US00D988624S

(12) **United States Design Patent**
Zhou et al.

(10) **Patent No.:** **US D988,624 S**
(45) **Date of Patent:** **** Jun. 6, 2023**

- (54) **HAND-HELD SCRUBBER**
- (71) Applicant: **WUHAN DISHUI INTELLIGENT TECHNOLOGY CO., LTD.**, Wuhan (CN)
- (72) Inventors: **Jie Zhou**, Wuhan (CN); **Kexue Wan**, Wuhan (CN)
- (73) Assignee: **WUHAN DISHUI INTELLIGENT TECHNOLOGY CO., LTD.**, Wuhan (CN)
- (**) Term: **15 Years**
- (21) Appl. No.: **29/768,407**
- (22) Filed: **Jan. 29, 2021**
- (30) **Foreign Application Priority Data**
Dec. 29, 2020 (CN) 202030815139.8
- (51) **LOC (14) Cl.** **15-05**
- (52) **U.S. Cl.**
USPC **D32/22**
- (58) **Field of Classification Search**
USPC D32/15, 17-24, 45, 50-52
CPC . A47L 5/24; A47L 5/28; A47L 9/0411; A47L 9/0477; A47L 9/1625
See application file for complete search history.

- (56) **References Cited**
U.S. PATENT DOCUMENTS
D377,697 S * 1/1997 Stephens D32/22
D418,266 S * 12/1999 Medema D32/22
6,146,434 A * 11/2000 Scalfani A47L 9/1691
15/348
6,842,942 B2 * 1/2005 Morgan A47L 5/28
15/322

- D574,563 S * 8/2008 Fjellman D32/22
- D592,818 S * 5/2009 Sun D32/22
- D613,469 S * 4/2010 Agren D32/22
- D643,980 S * 8/2011 Kim D32/22
- D654,233 S * 2/2012 Kim D32/22
- D661,034 S * 5/2012 Ediger D32/45
- D664,314 S * 7/2012 Li D32/17
- D672,516 S * 12/2012 Ediger D32/17
- D680,286 S * 4/2013 Gray D32/22
- 8,671,510 B2 * 3/2014 Han A47L 5/225
15/329
- D728,176 S * 4/2015 Yu D32/22
- D794,268 S * 8/2017 Minamide D32/22
- D804,117 S * 11/2017 Kim D32/22
- D809,228 S * 1/2018 Lee D32/22
- 10,039,431 B1 * 8/2018 Li A47L 11/4083
- 10,098,515 B2 * 10/2018 Park F04D 25/08
- D897,059 S * 9/2020 Li D32/22
- 2009/0077764 A1 * 3/2009 Hazen A47L 9/20
15/300.1

* cited by examiner

Primary Examiner — Kimberly Barnes

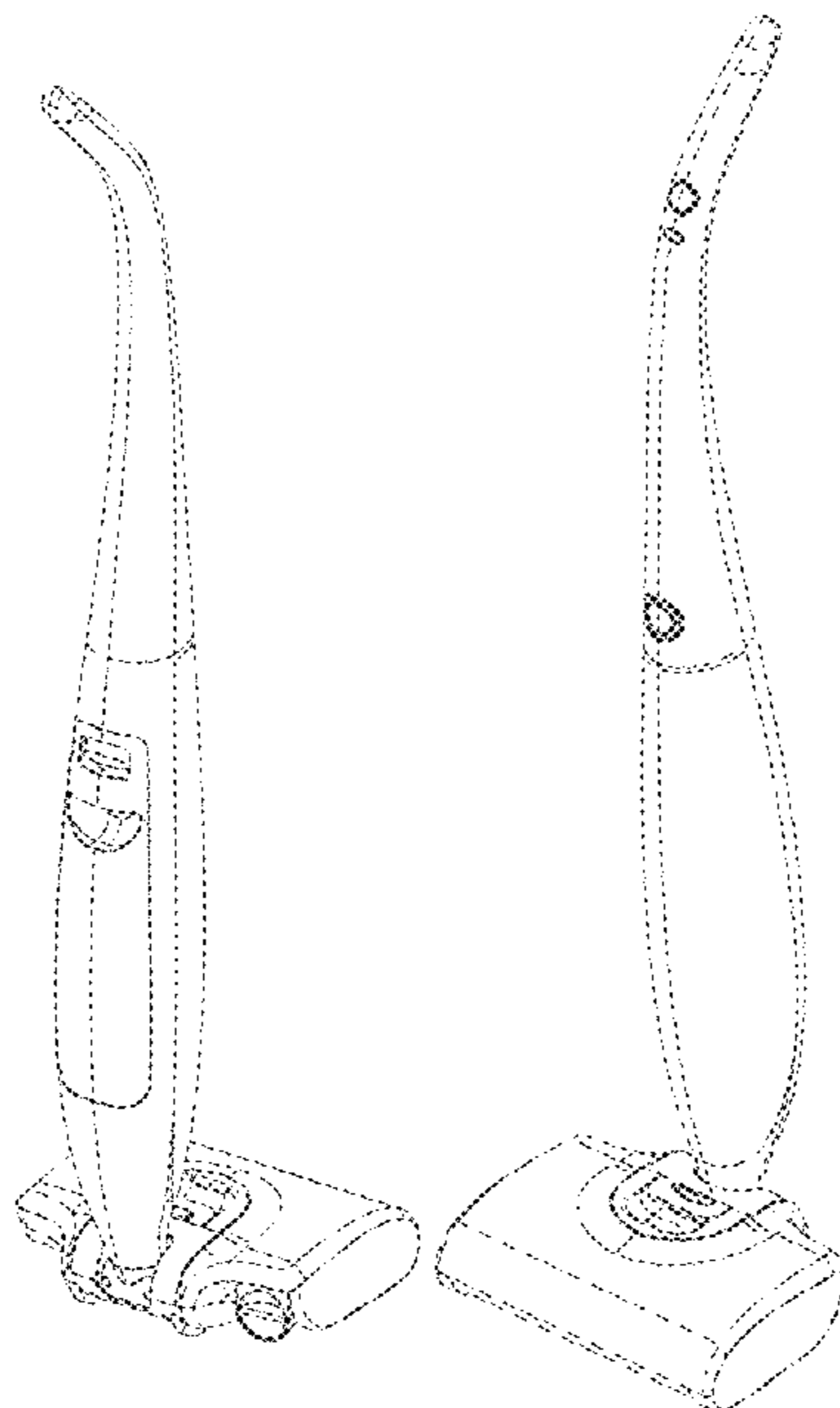
(57) **CLAIM**

The ornamental design for a hand-held scrubber, as shown and described.

DESCRIPTION

FIG. 1 is a perspective view of a hand-held scrubber showing my new design;
FIG. 2 is another perspective view thereof;
FIG. 3 is a front elevational view thereof;
FIG. 4 is a rear elevational view thereof;
FIG. 5 is a left side elevational view thereof;
FIG. 6 is a right side elevational view thereof;
FIG. 7 is a top plan view thereof; and,
FIG. 8 is a bottom plan view thereof.

1 Claim, 8 Drawing Sheets



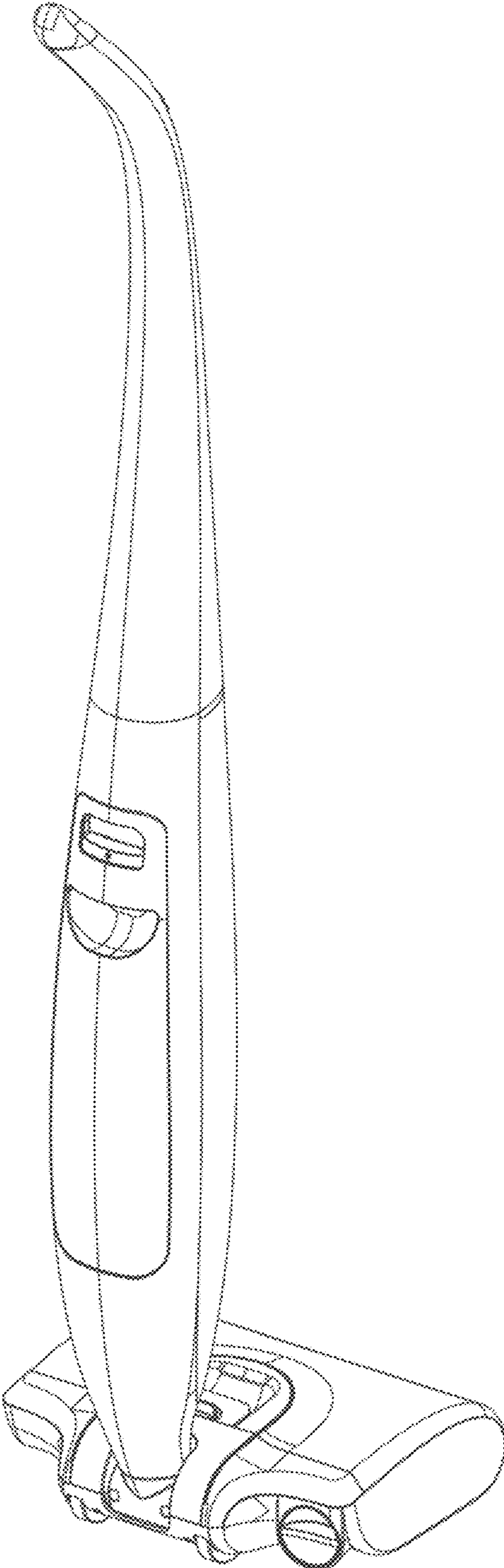


FIG. 1

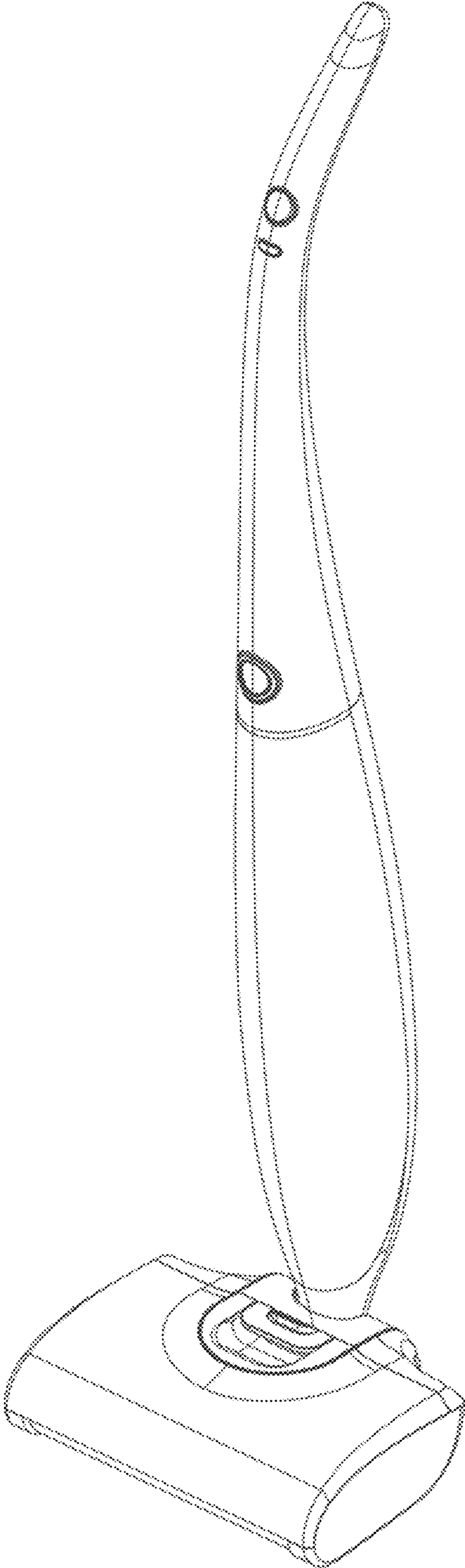


FIG. 2

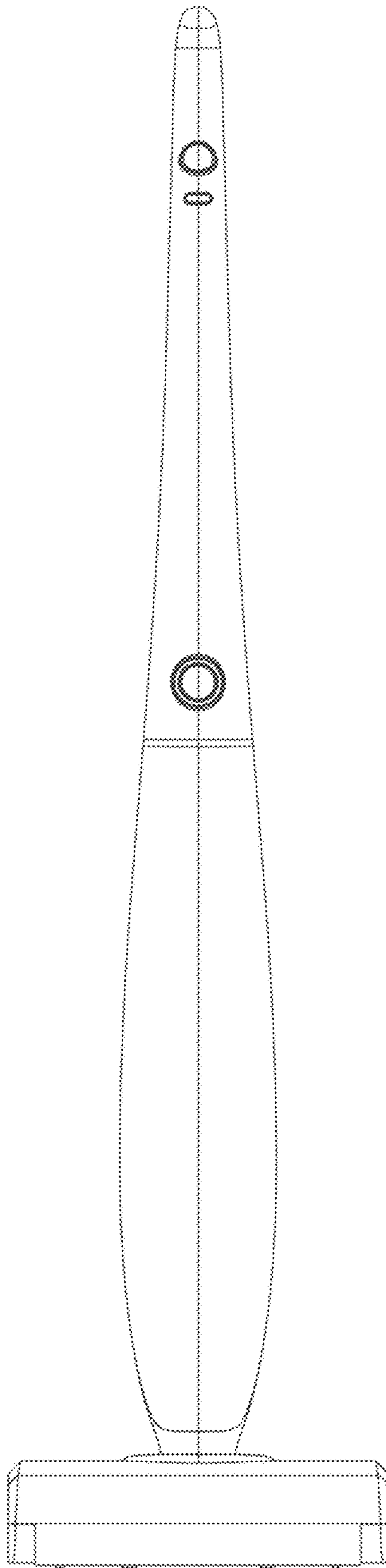


FIG. 3

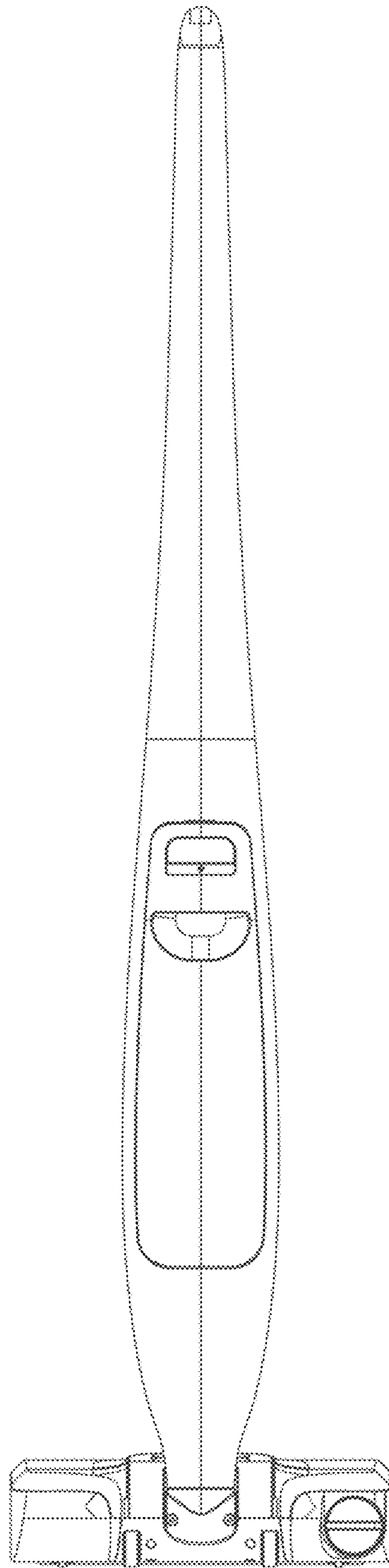


FIG. 4

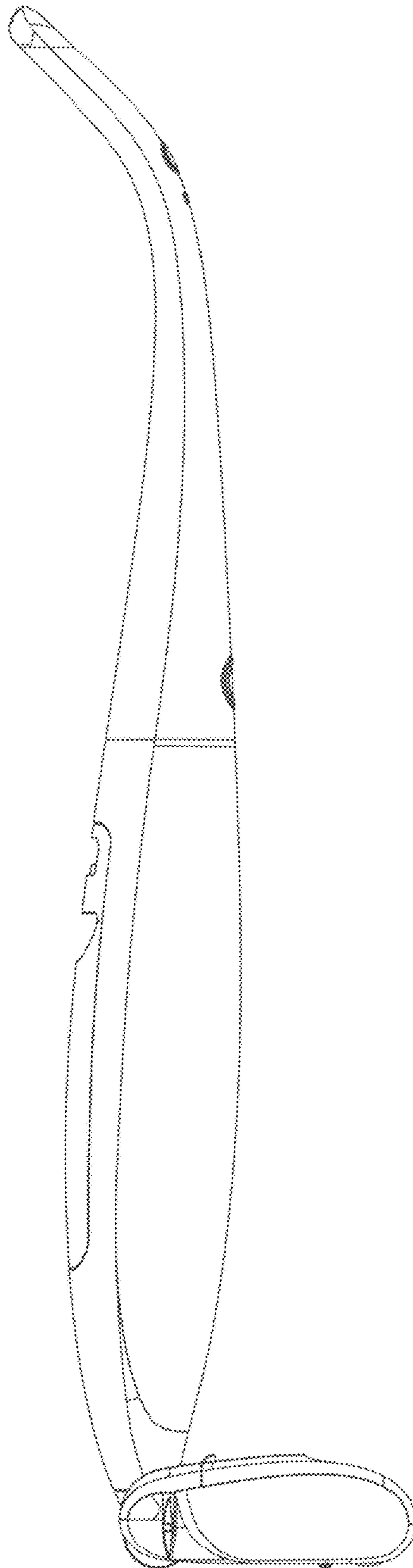


FIG. 5

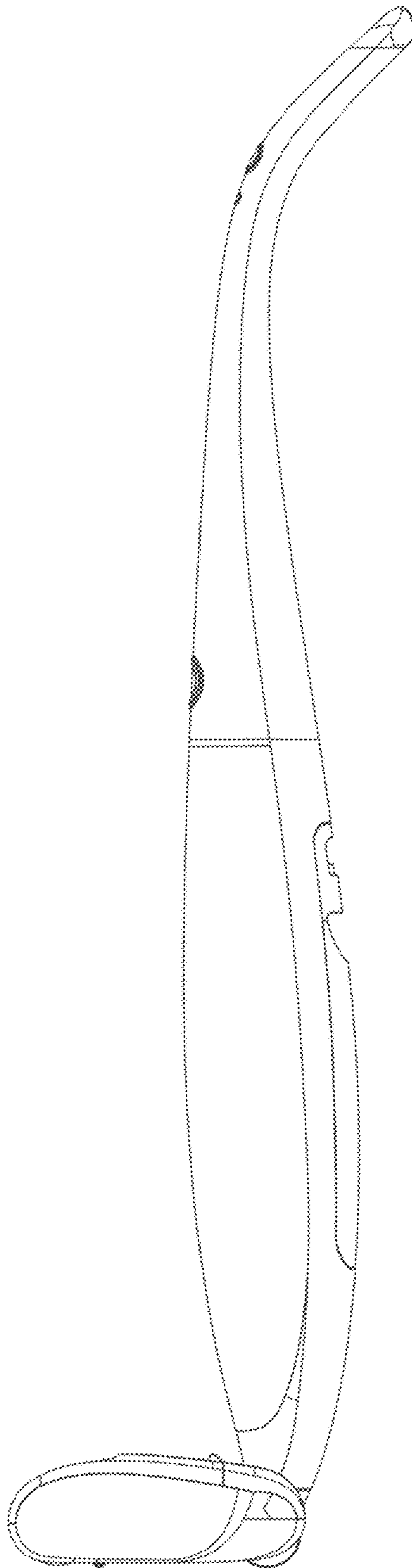


FIG. 6

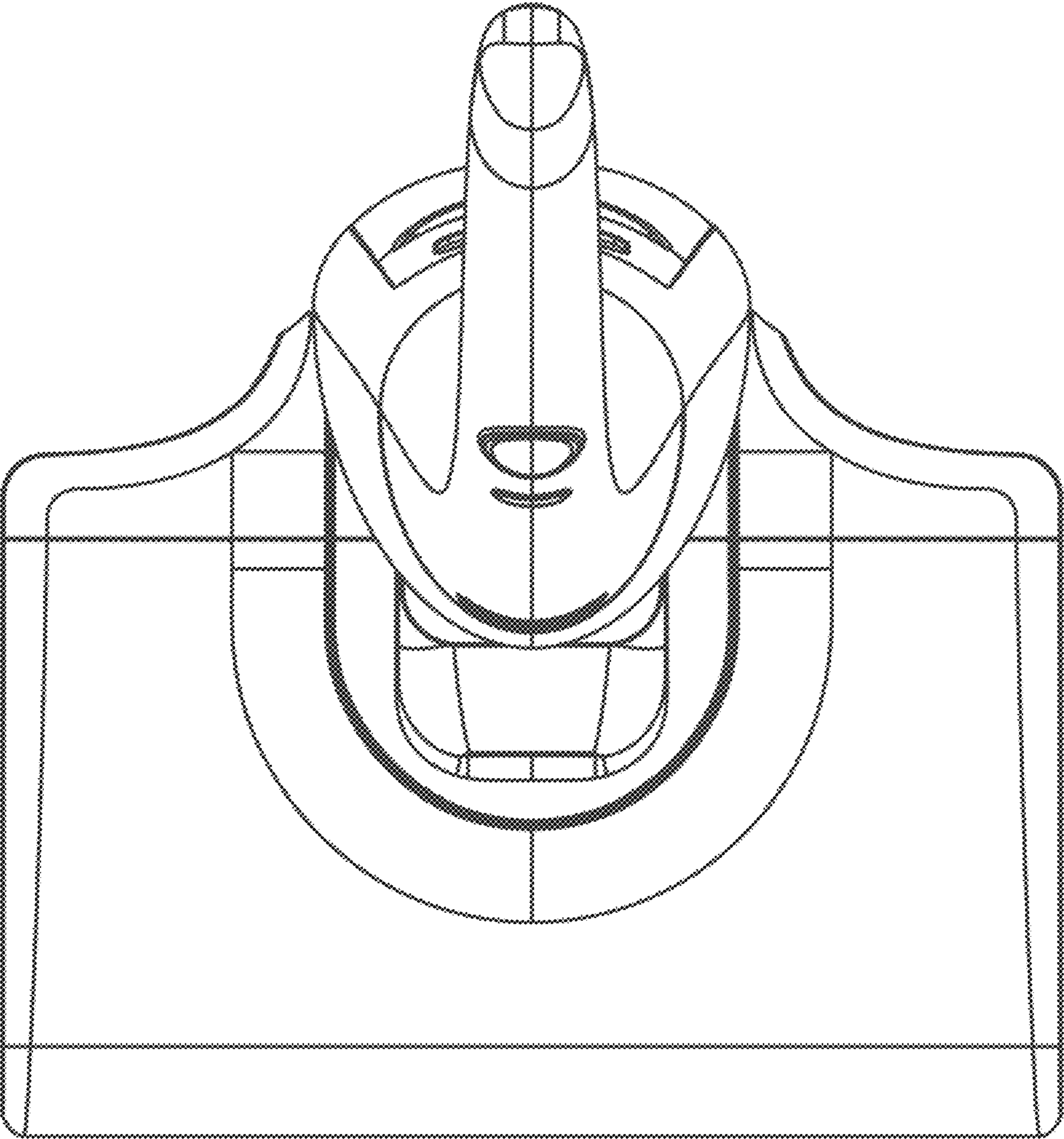


FIG. 7

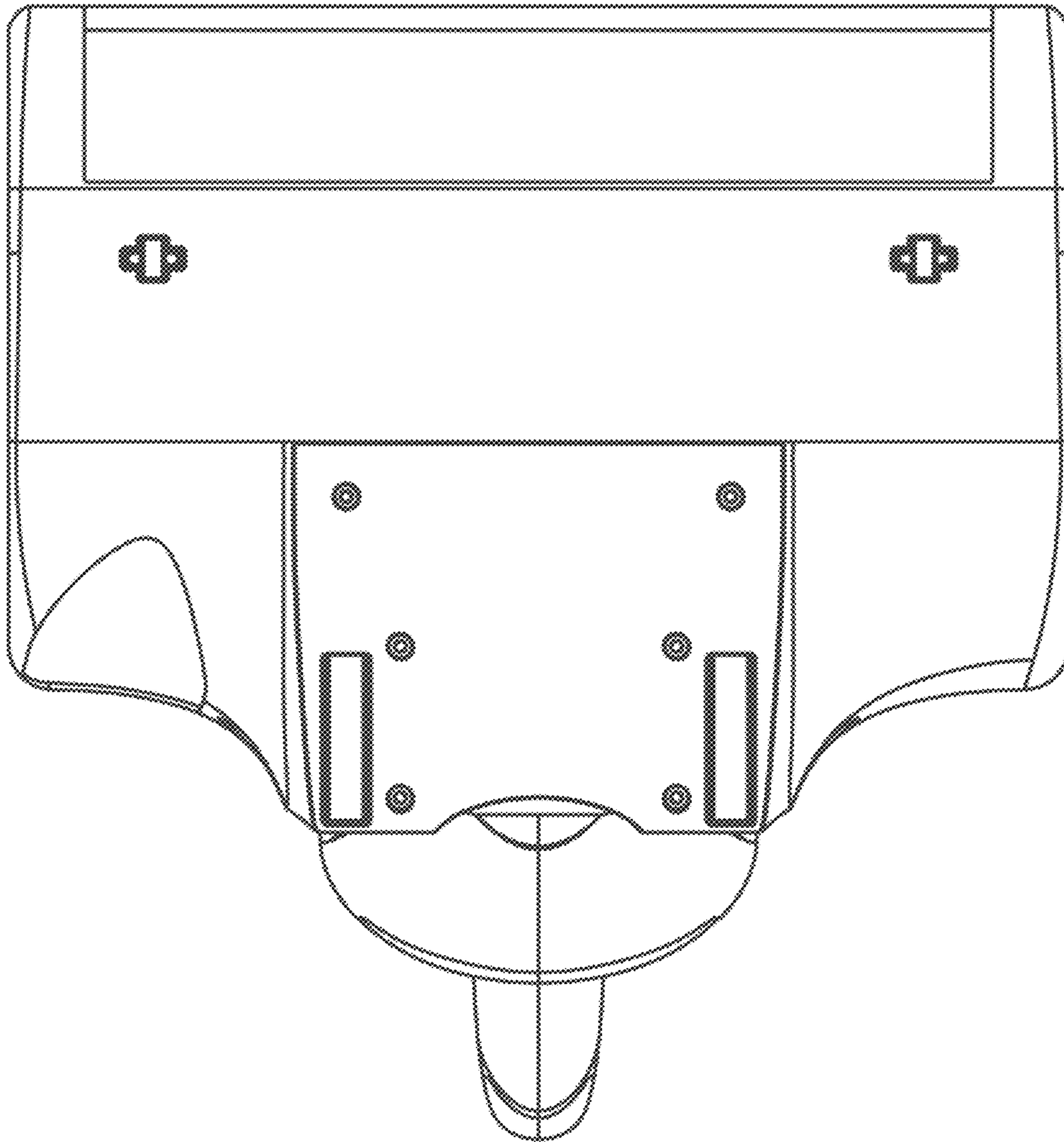


FIG. 8