



US00D988623S

(12) **United States Design Patent** (10) **Patent No.:** **US D988,623 S**  
**Xu** (45) **Date of Patent:** **\*\* Jun. 6, 2023**

(54) **HANDHELD VACUUM CLEANER**  
(71) Applicant: **Fuzhou Fireegg Electrical Appliances Co., LTD.**, Fuzhou (CN)  
(72) Inventor: **Yixuan Xu**, Shenzhen (CN)  
(73) Assignee: **FUZHOU FIREEGG ELECTRICAL APPLIANCES CO., LTD.**, Fuzhou (CN)

D357,772 S \* 4/1995 Yuen ..... D32/18  
D421,671 S \* 3/2000 Thomas ..... D32/18  
D571,063 S \* 6/2008 Brown ..... D32/18  
D651,373 S \* 12/2011 Fan ..... D32/18  
D749,281 S \* 2/2016 Jeon ..... D32/18

(Continued)

FOREIGN PATENT DOCUMENTS

GB 9008042774-0001 \* 7/2020

OTHER PUBLICATIONS

Lionmount Car Vacuum Cleaner, available in Amazon.ca, date first available Sep. 16, 2021 [online], [site visited Apr. 4, 2023], Available from the internet URL: [https://www.amazon.ca/Lionmount-Cordless-Handheld-Rechargeable-Batteries/dp/B09BCQRYJF/ref=sr\\_1\\_1](https://www.amazon.ca/Lionmount-Cordless-Handheld-Rechargeable-Batteries/dp/B09BCQRYJF/ref=sr_1_1) (Year: 2021).\*

(Continued)

*Primary Examiner* — Jennifer Rivard  
*Assistant Examiner* — Jennylou M Binas

(57) **CLAIM**

The ornamental design for a handheld vacuum cleaner, as shown and described.

**DESCRIPTION**

FIG. 1 is a front and bottom perspective view of a handheld vacuum cleaner, showing my new design;  
FIG. 2 is a front and top perspective view thereof;  
FIG. 3 is a rear elevation view thereof;  
FIG. 4 is a front elevation view thereof;  
FIG. 5 is a left side elevation view thereof;  
FIG. 6 is a right side elevation view thereof;  
FIG. 7 is a bottom plan view thereof; and,  
FIG. 8 is a top plan view thereof.  
The broken lines in the figures illustrate portions of the handheld vacuum cleaner that form no part of the claimed design.

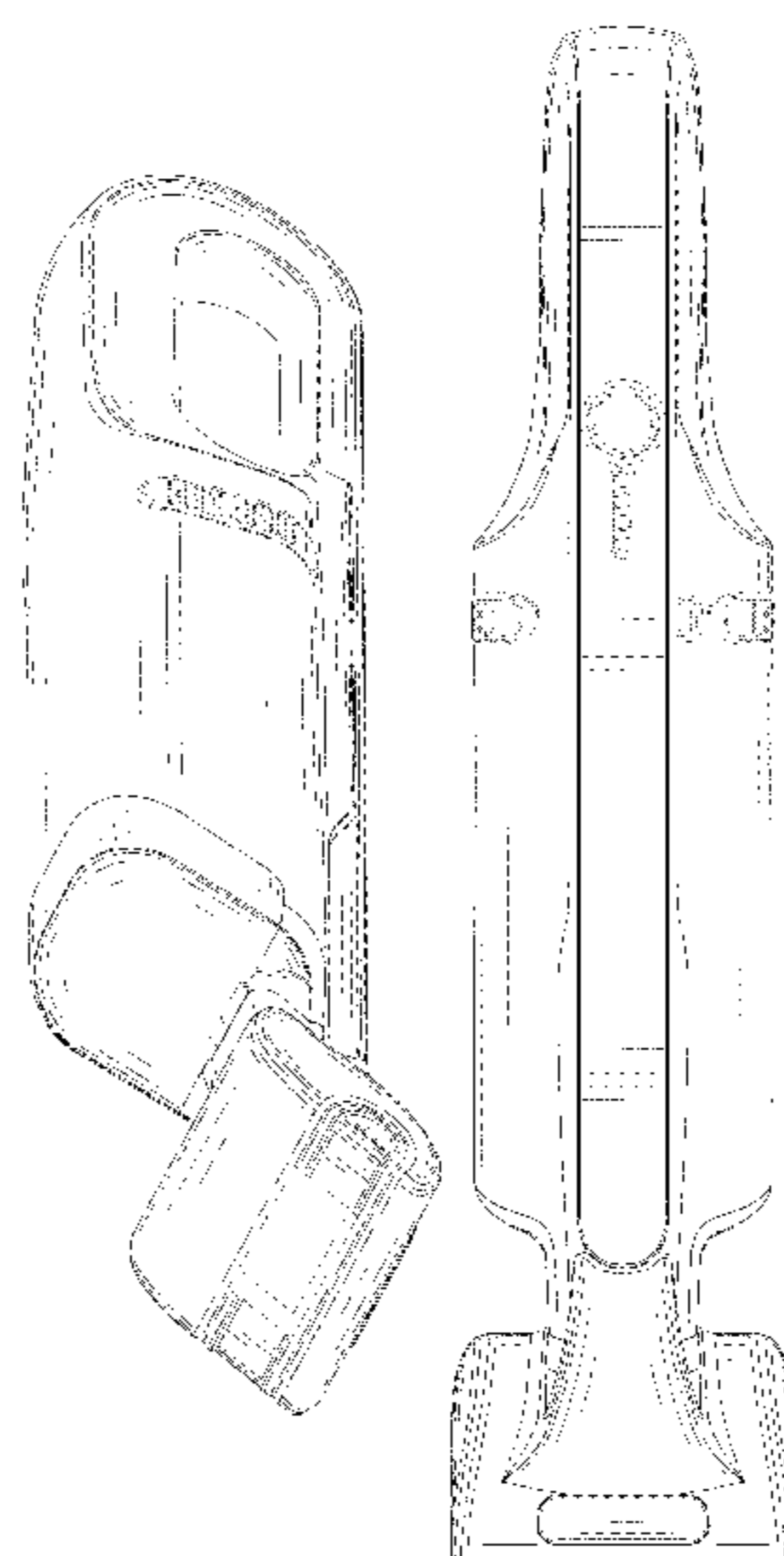
**1 Claim, 8 Drawing Sheets**

(\*\*) Term: **15 Years**  
(21) Appl. No.: **29/872,251**  
(22) Filed: **Mar. 9, 2023**  
(51) **LOC (14) Cl.** ..... **15-05**  
(52) **U.S. Cl.**  
USPC ..... **D32/18**  
(58) **Field of Classification Search**  
USPC ..... D32/15, 17-18, 21-22, 31; D21/526;  
D30/158; D24/214-215  
CPC ..... A47L 5/24; A47L 5/28; A47L 5/30; A47L  
5/34; A47L 5/36; A47L 9/04; A47L  
9/102; A47L 9/106; A47L 11/30; A47L  
11/302; A47L 11/4005; A47L 11/4008;  
A47L 11/4044; B04C 5/185; B23Q  
11/0046; B23Q 11/0071; E04H 4/1636  
See application file for complete search history.

(56) **References Cited**

U.S. PATENT DOCUMENTS

D215,874 S \* 11/1969 Averitt ..... D32/18  
D220,969 S \* 6/1971 Rawson, Jr. et al. .... D32/18  
D247,341 S \* 2/1978 Pelly ..... D32/18  
D279,513 S \* 7/1985 Rinaldi ..... D32/18  
D283,064 S \* 3/1986 Thomas ..... D32/18  
D287,419 S \* 12/1986 Ling ..... D32/18  
D287,893 S \* 1/1987 Fujii ..... D32/18  
D290,417 S \* 6/1987 Leung ..... D32/18  
D305,167 S \* 12/1989 Case ..... D32/18  
D309,202 S \* 7/1990 Yuen ..... D32/18  
D324,438 S \* 3/1992 Alister ..... D32/18



(56)

**References Cited**

U.S. PATENT DOCUMENTS

D825,870 S \* 8/2018 Lim ..... D32/18  
D891,013 S \* 7/2020 Lin ..... D32/18  
D898,219 S \* 10/2020 Xie ..... D24/217  
D963,976 S \* 9/2022 Fu ..... D32/18  
D965,239 S \* 9/2022 Chen ..... D32/18  
D965,929 S \* 10/2022 He ..... D32/18  
D967,573 S 10/2022 Jiang et al.

OTHER PUBLICATIONS

Shark Cordless & Handheld Vacuum Ultracyclone System, available in Amazon.com, date first available Sep. 16, 2021 [online], [site visited Apr. 4, 2023], Available from the internet URL: [https://www.amazon.com/Shark-CH964AMZ-Cordless-Ultracyclone-Ultra-Lightweight/dp/B098S3C4JF/ref=sr\\_1\\_27](https://www.amazon.com/Shark-CH964AMZ-Cordless-Ultracyclone-Ultra-Lightweight/dp/B098S3C4JF/ref=sr_1_27) (Year: 2021).\*

\* cited by examiner

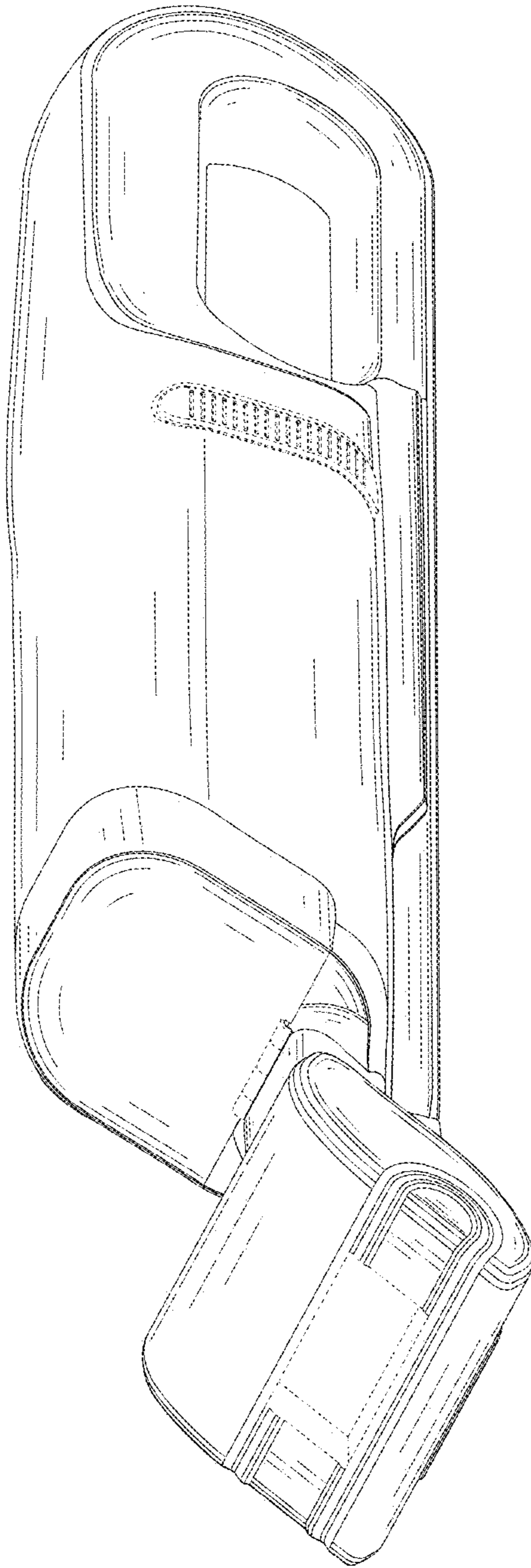


FIG. 1

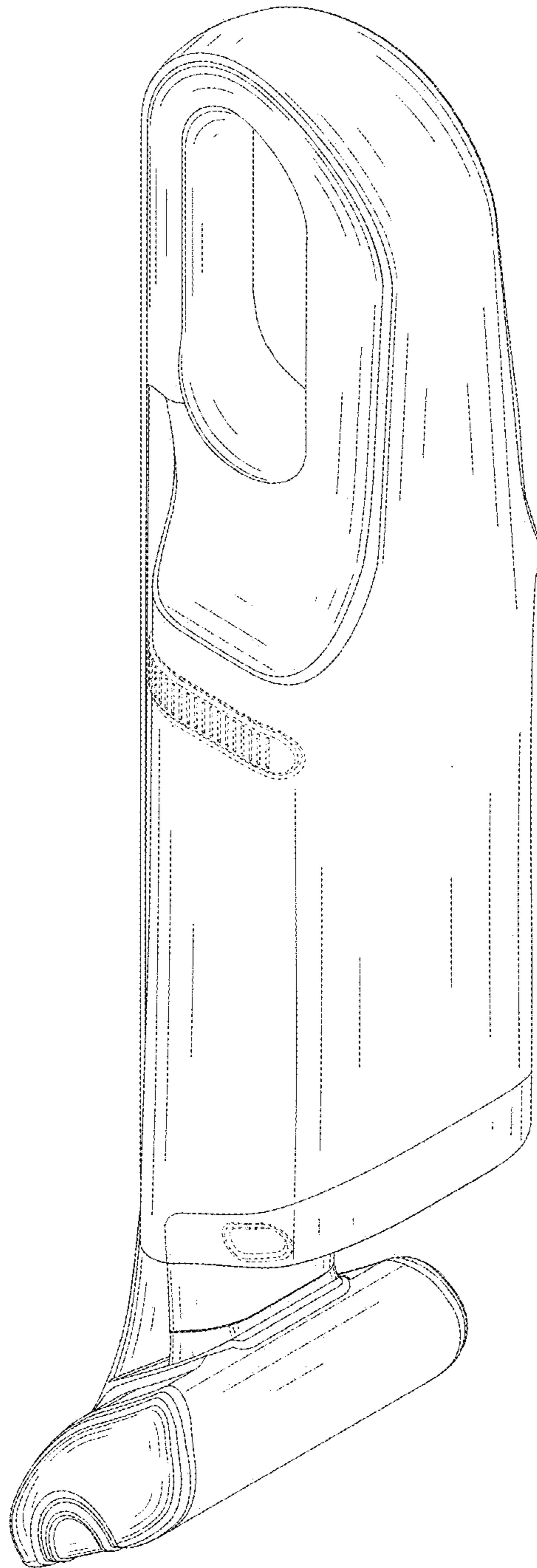


FIG. 2

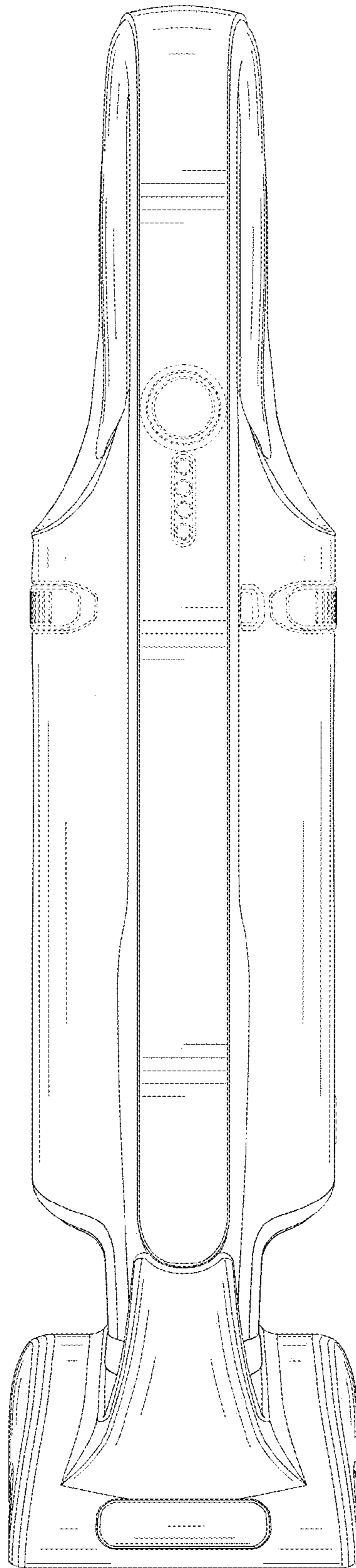


FIG. 3

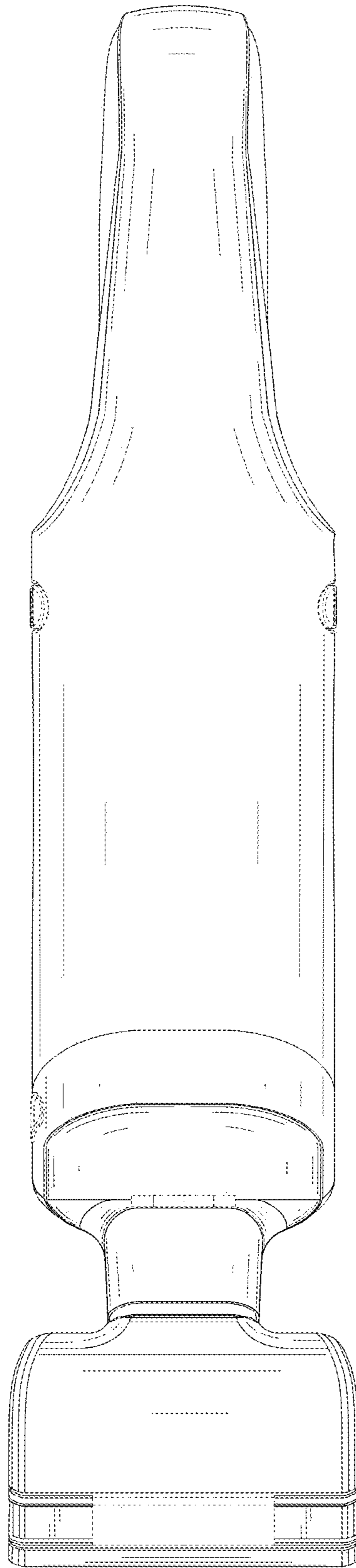


FIG. 4

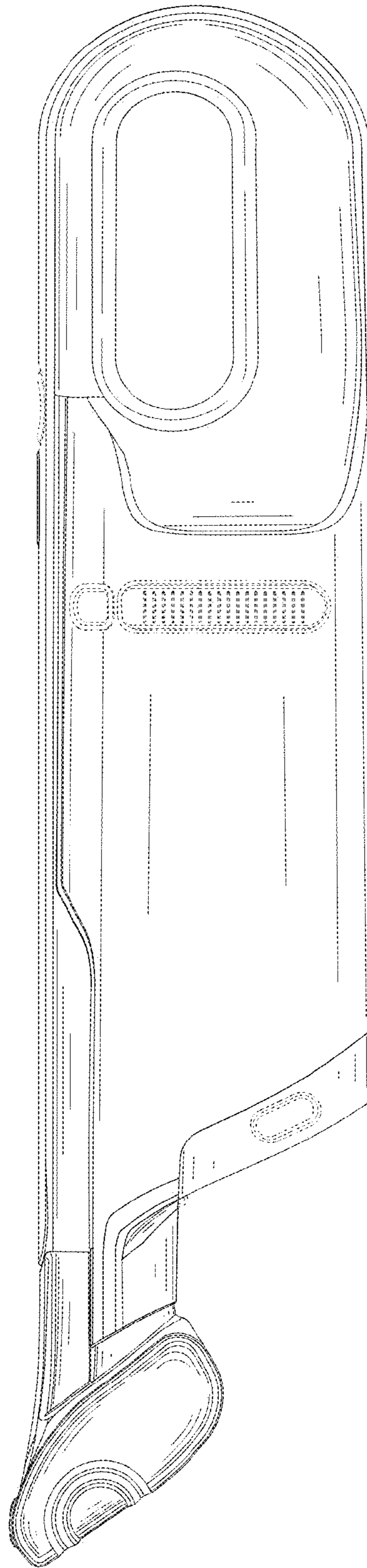


FIG. 5

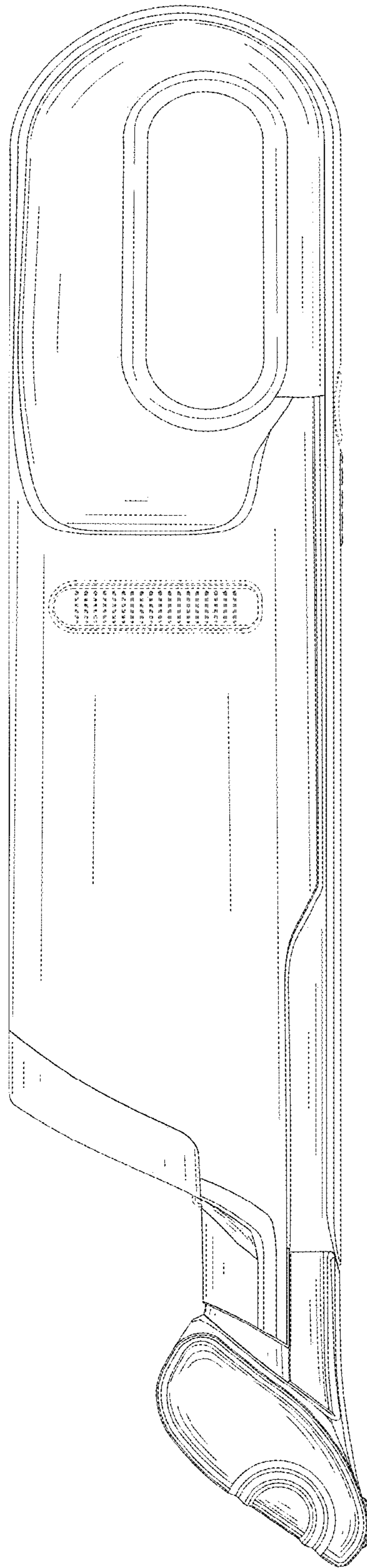


FIG. 6



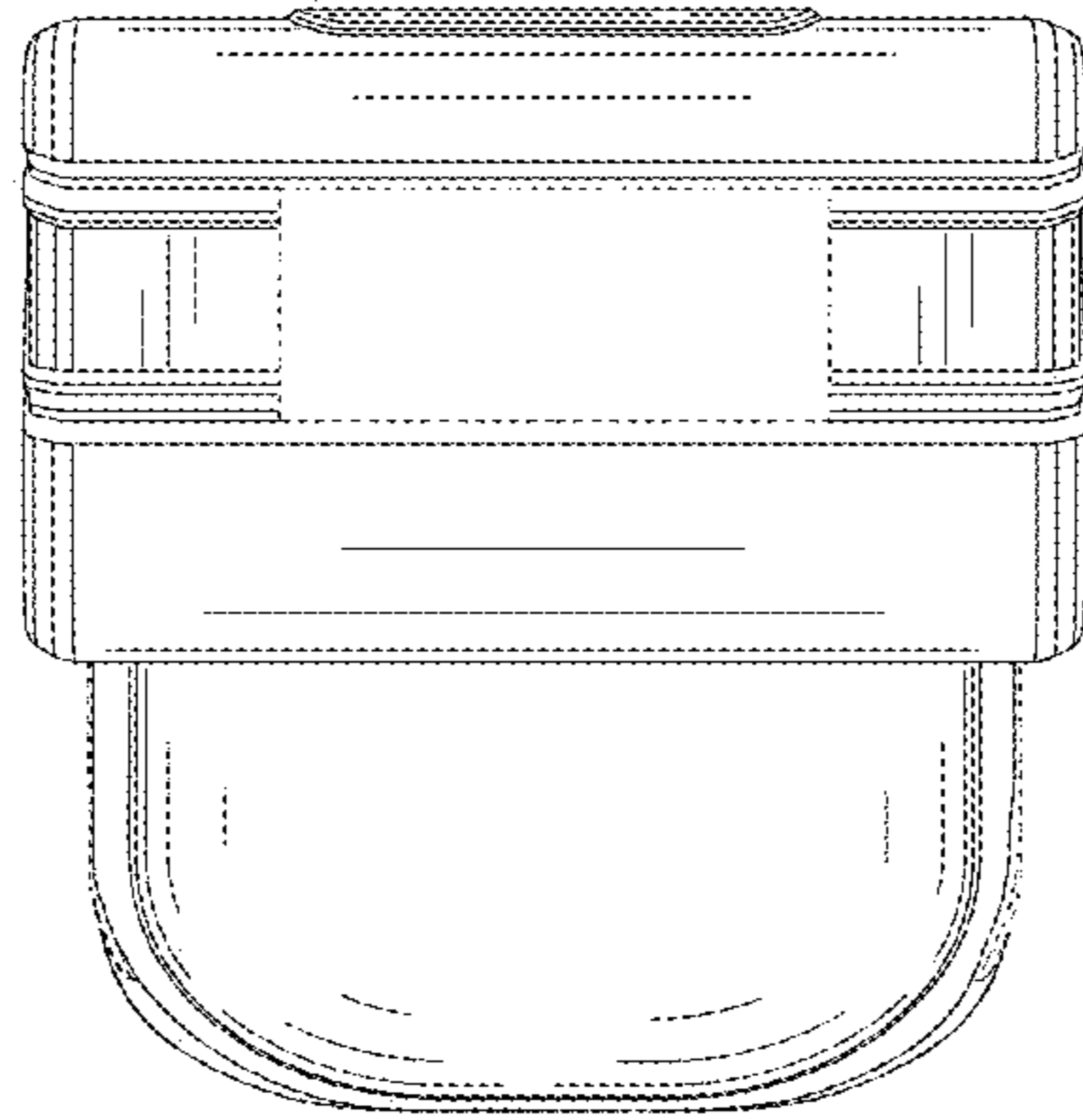


FIG. 7

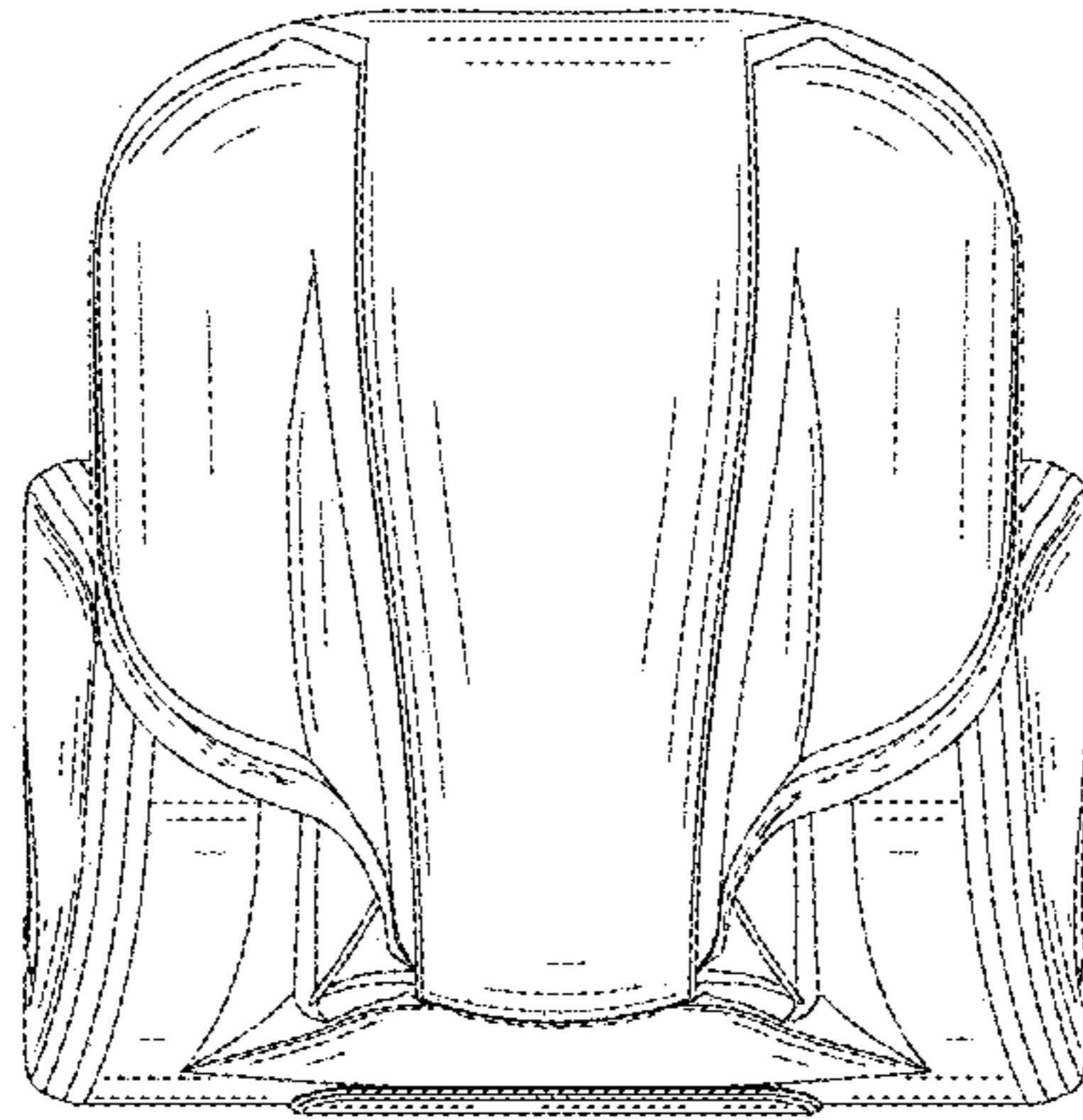


FIG. 8