



US00D988618S

(12) **United States Design Patent** (10) **Patent No.:** **US D988,618 S**
Mittelstadt et al. (45) **Date of Patent:** **** Jun. 6, 2023**

(54) **CONFIGURABLE ANIMAL PLAY DEVICE**

(56) **References Cited**

(71) Applicants: **Matthew Brian Mittelstadt**, Gulf Breeze, FL (US); **Brenda Susan Mittelstadt**, Gulf Breeze, FL (US); **Taylor Matthew Mittelstadt**, Gulf Breeze, FL (US); **Jamie Lee Woodard**, Gulf Breeze, FL (US)

(72) Inventors: **Matthew Brian Mittelstadt**, Gulf Breeze, FL (US); **Brenda Susan Mittelstadt**, Gulf Breeze, FL (US); **Taylor Matthew Mittelstadt**, Gulf Breeze, FL (US); **Jamie Lee Woodard**, Gulf Breeze, FL (US)

(**) Term: **15 Years**

(21) Appl. No.: **29/779,578**

(22) Filed: **Apr. 20, 2021**

(51) **LOC (14) Cl.** **30-12**

(52) **U.S. Cl.**
USPC **D30/160**

(58) **Field of Classification Search**
USPC D30/108, 109, 112, 113, 114, 115, 116, D30/117, 119, 160, 199; D3/273, 288, D3/305
CPC .. A01K 15/0125; A01K 15/02; A01K 15/025; A01K 15/035; A01K 15/031; A01K 1/0035; A01K 1/0125; A01K 1/0245; A01K 1/0254; A01K 1/029; A01K 1/03; A01K 1/031; A01K 1/032; A01K 1/033; A01K 1/034; A01K 31/002; A01K 31/005; A01K 31/07; A01K 31/08; A01D 45/005; B65D 85/50; B65D 5/4295; B65D 11/18; B65D 2205/00; B65D 2205/02

See application file for complete search history.

U.S. PATENT DOCUMENTS

D298,577 S *	11/1988	Faxon	D30/108
D334,815 S *	4/1993	Bunger	D8/382
D356,253 S *	3/1995	Bacchetti	D9/418
5,722,446 A *	3/1998	Zheng	A63B 63/08 473/433
D612,111 S *	3/2010	Kellogg	A01K 1/0353 D30/160
8,640,652 B2 *	2/2014	Callari	A01K 1/035 119/702
D789,622 S *	6/2017	Kellogg	D30/160
D853,665 S *	7/2019	Itzhak-Sigron	A01K 1/035 D30/160
D855,905 S *	8/2019	Itzhak-Sigron	A63B 63/08 D30/160

(Continued)

OTHER PUBLICATIONS

Kitty Cate Cube Company, posted Feb. 15, 2021 [online], [retrieved Dec. 8, 2022]. Retrieved from internet <https://www.kittycatcube.com/learn-more> (Year: 2021).*

(Continued)

Primary Examiner — Sheryl Lane
Assistant Examiner — Emily A Caven
(74) *Attorney, Agent, or Firm* — J. Nevin Shaffer, Jr.

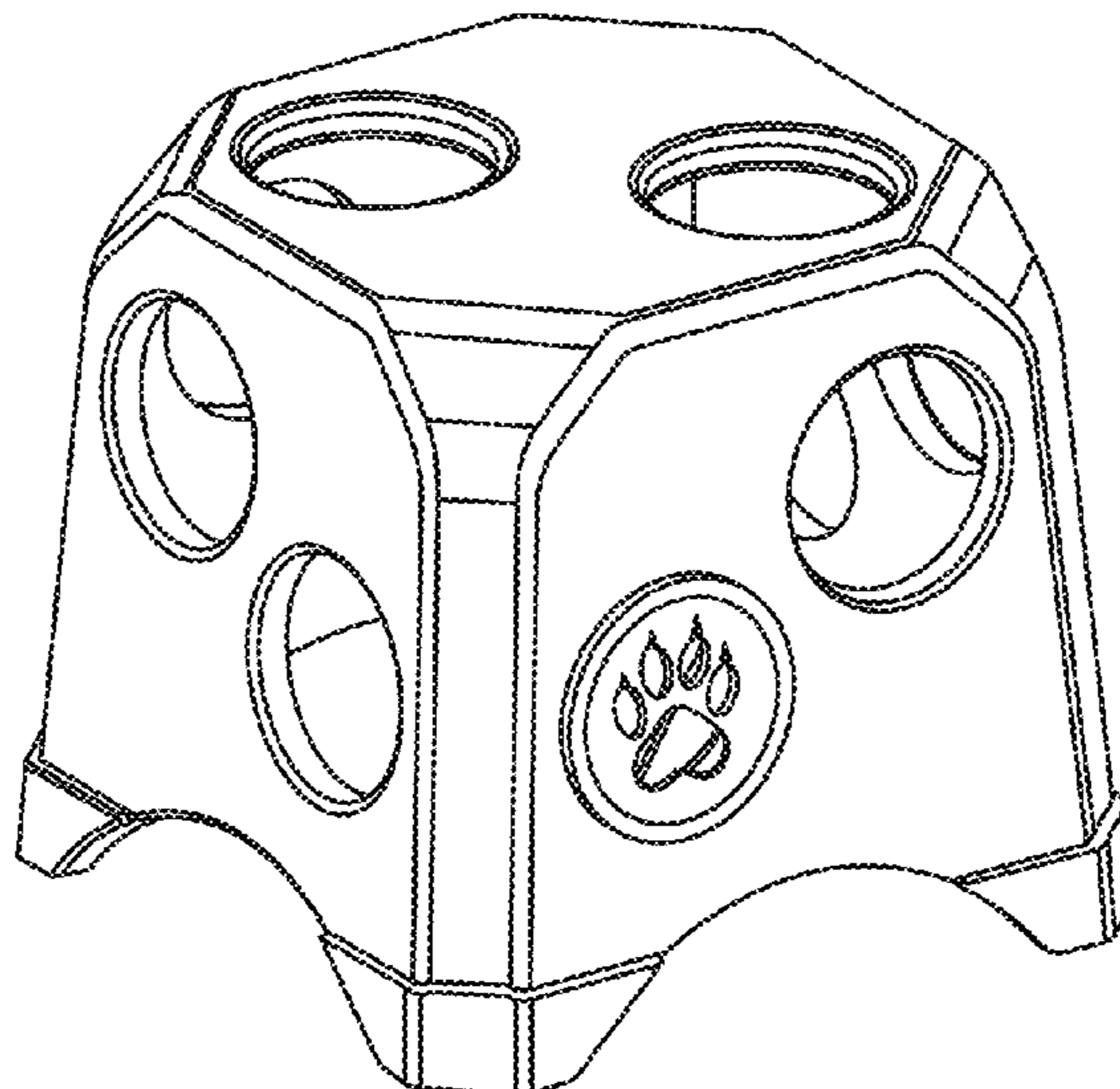
(57) **CLAIM**

We claim the design for a configurable animal play device, as shown and described.

DESCRIPTION

FIG. 1 is a perspective view of a configurable animal play device according to the present invention;
FIG. 2 is a bottom view thereof;
FIG. 3 is a perspective bottom view thereof;
FIG. 4 is a top view thereof;
FIG. 5 is a side view thereof showing a paw print device;
FIG. 6 is a side view thereof showing a medallion; and,
FIG. 7 is a side view thereof.

1 Claim, 3 Drawing Sheets



(56)

References Cited

U.S. PATENT DOCUMENTS

D858,910 S * 9/2019 Itzhak-Sigron D30/160
2016/0338316 A1 * 11/2016 Niedwick A01K 1/0353

OTHER PUBLICATIONS

Kitty Cat Cube Kickstarter Advertisement!, posted Feb. 15, 2021
[online], [retrieved Dec. 8, 2022]. Retrieved from internet <https://www.youtube.com/watch?v=ObcnkPwUVv4> (Year: 2021).*

Kitty Cat Cube: Play Twist and Teasers!, posted Feb. 14, 2021
[online], [retrieved Dec. 8, 2021]. Retrieved from internet <https://www.youtube.com/watch?v=hGY-dK6OfV8> (Year: 2021).*

* cited by examiner

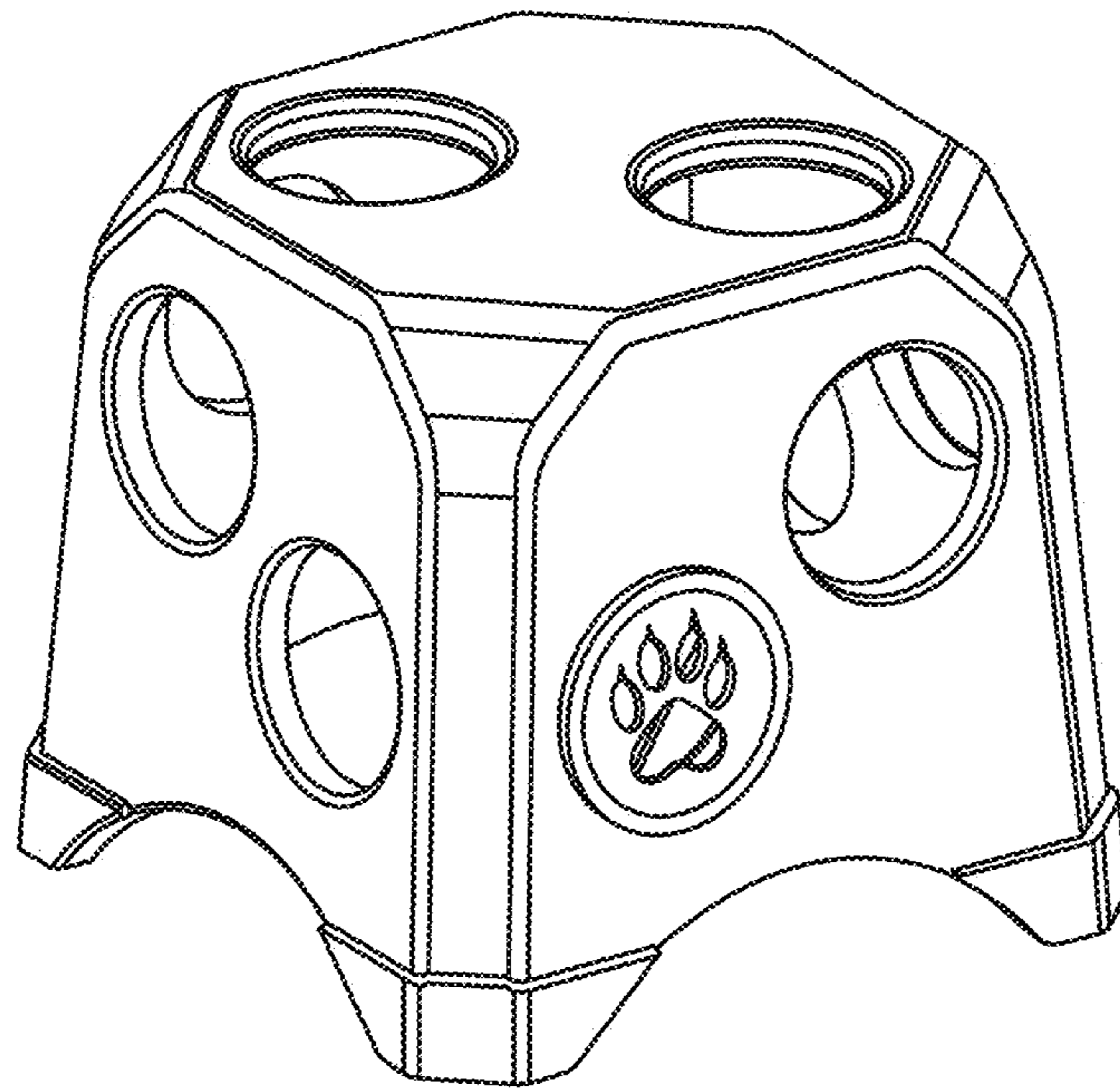


FIG. 1

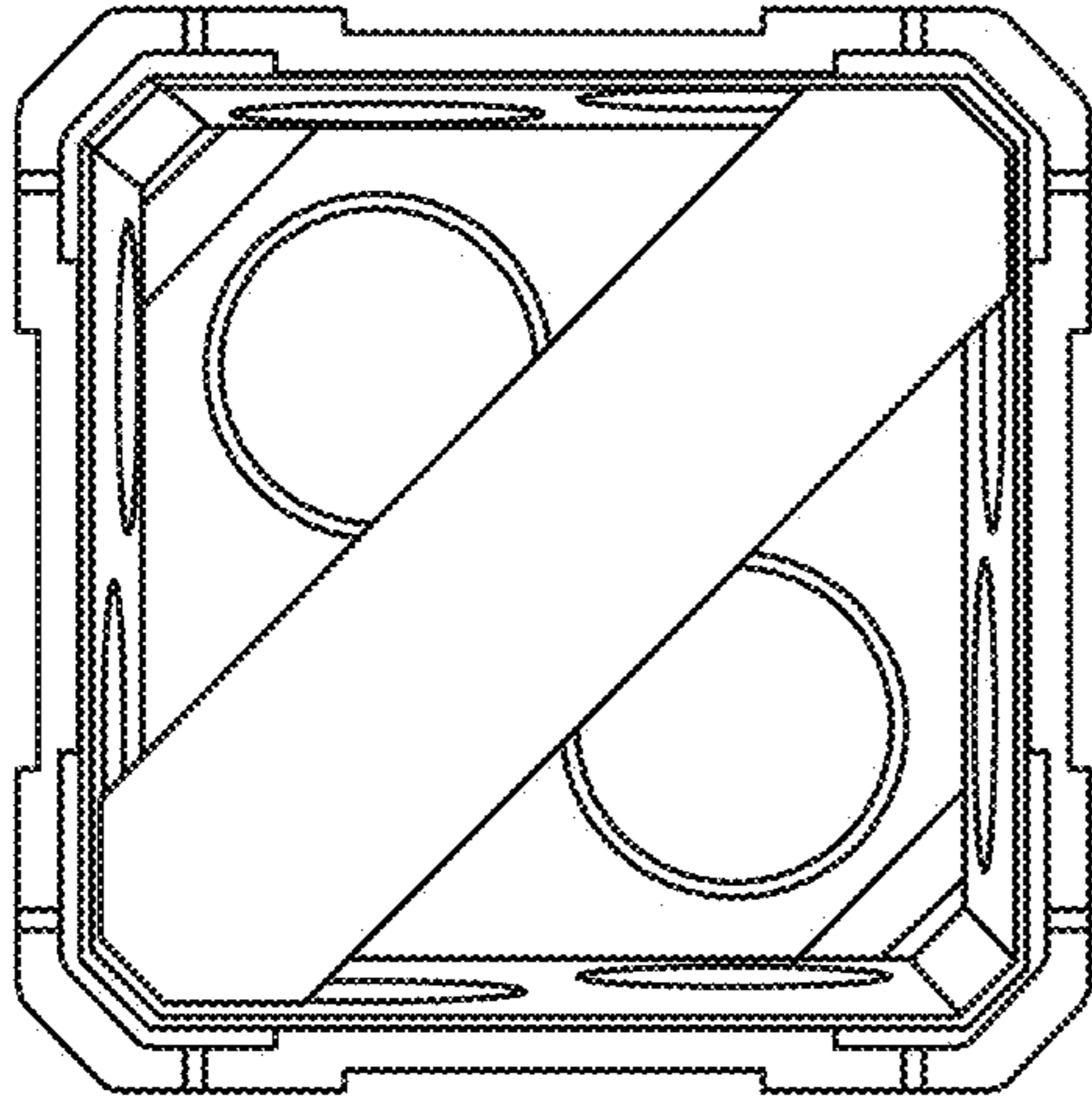


FIG. 2

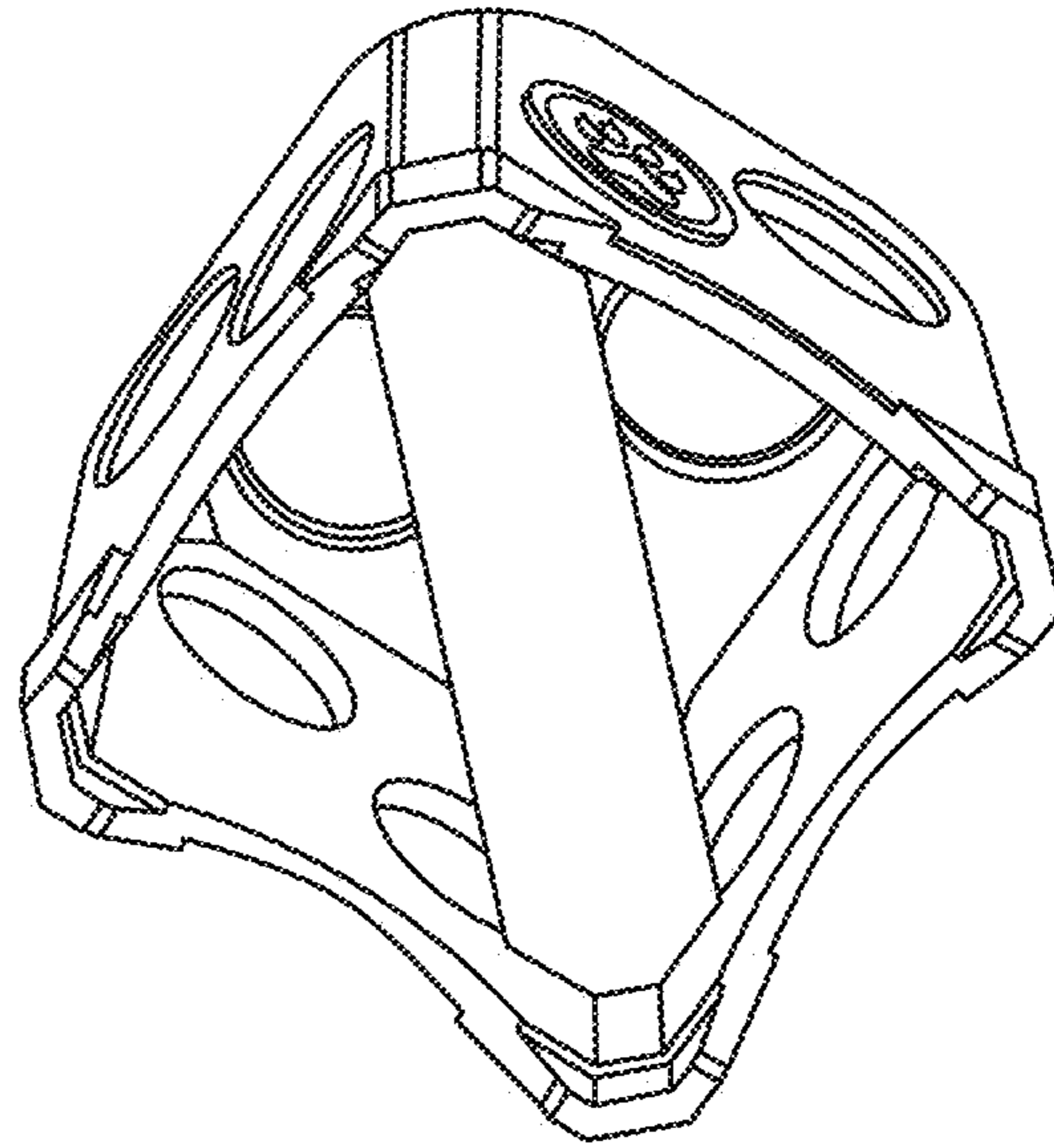


FIG. 3

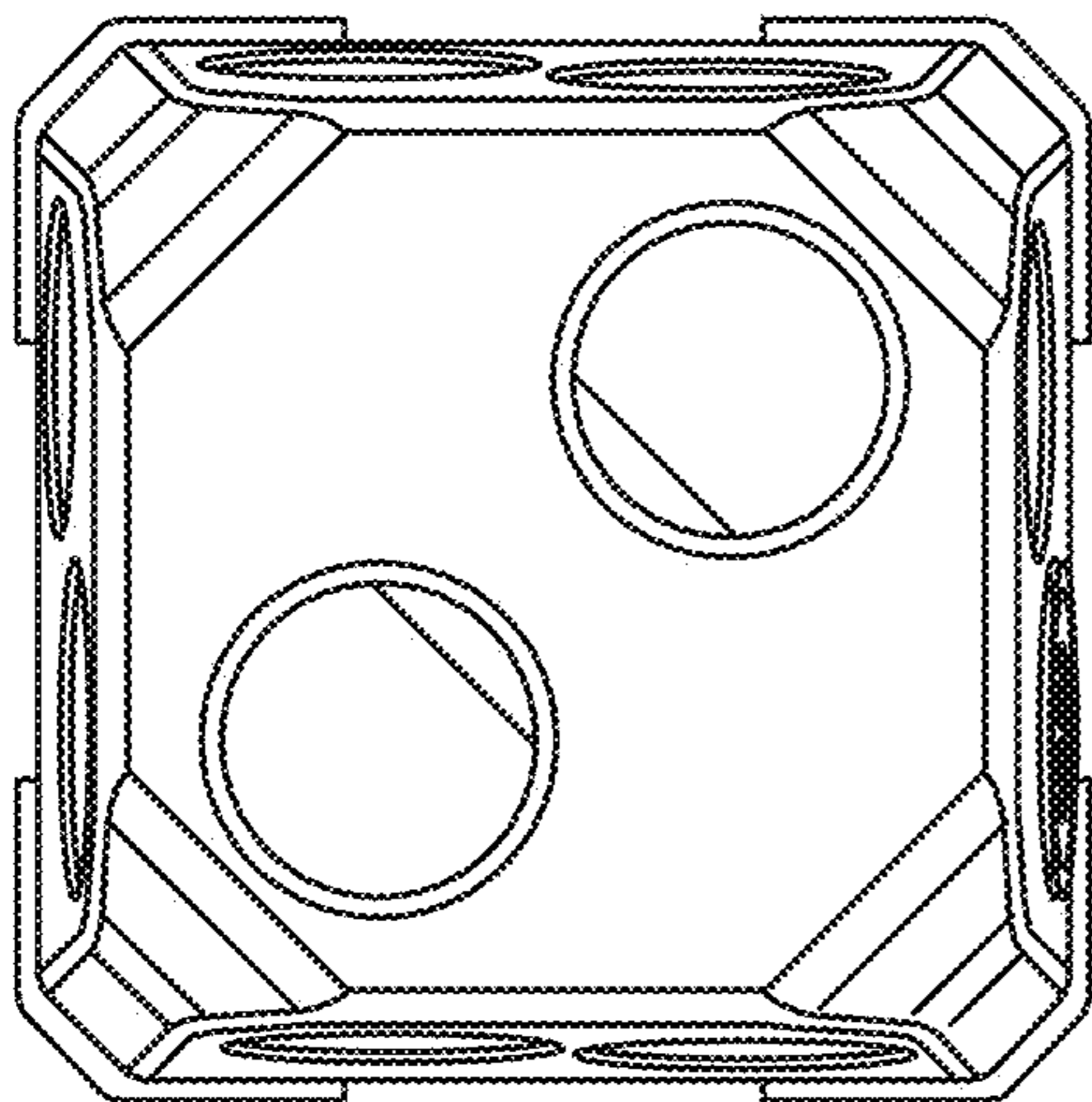


FIG. 4

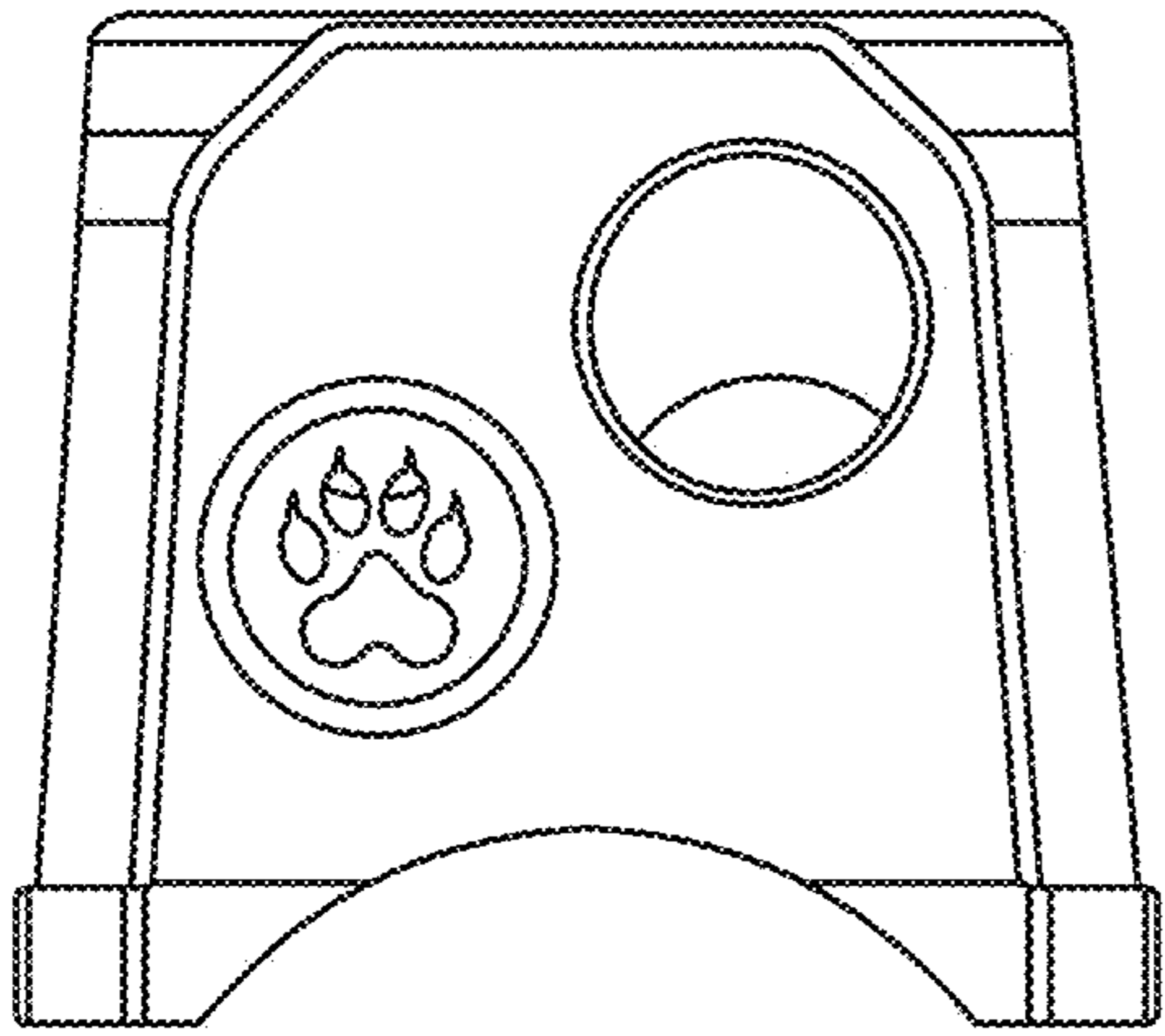


FIG. 5

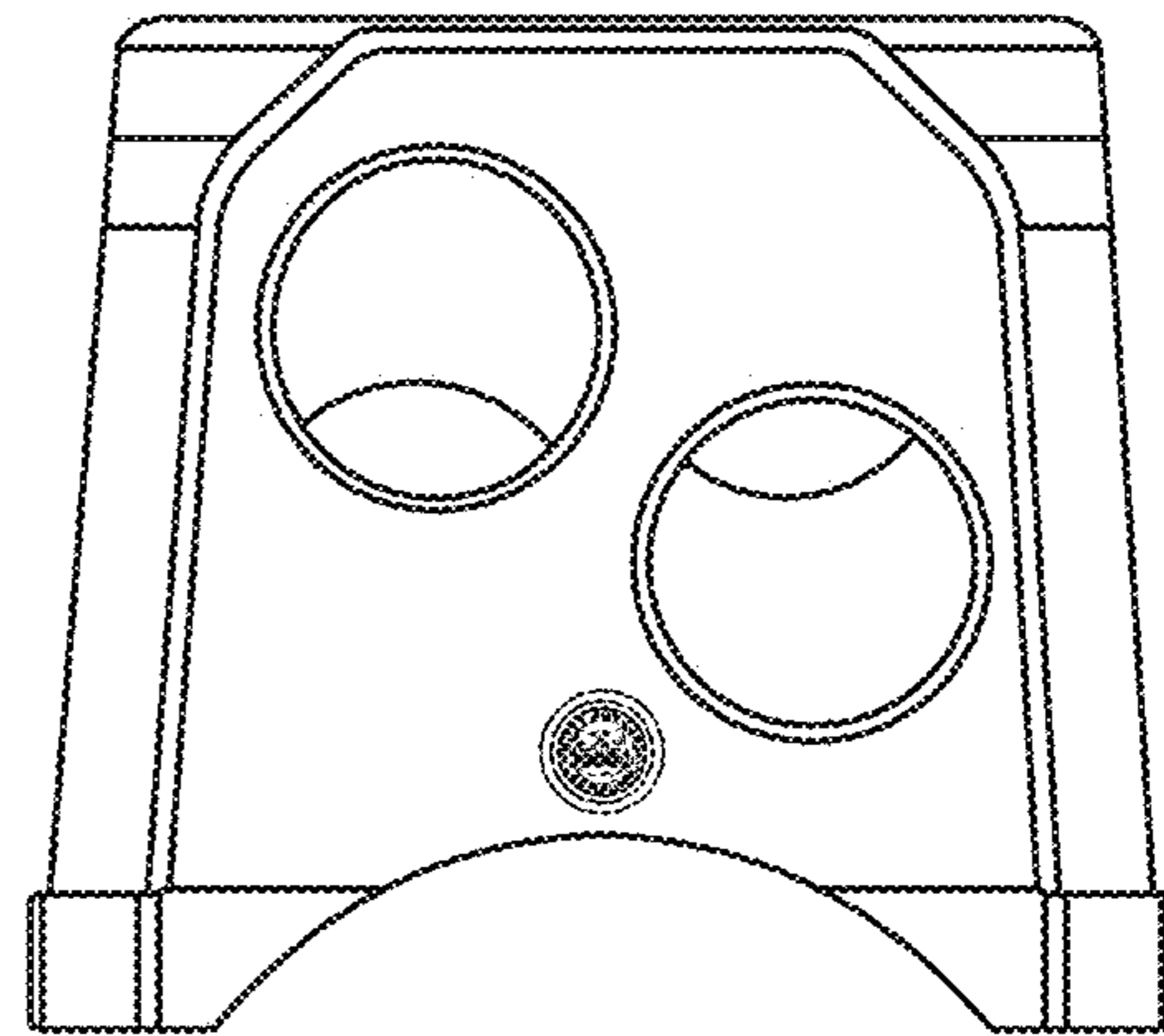


FIG. 6

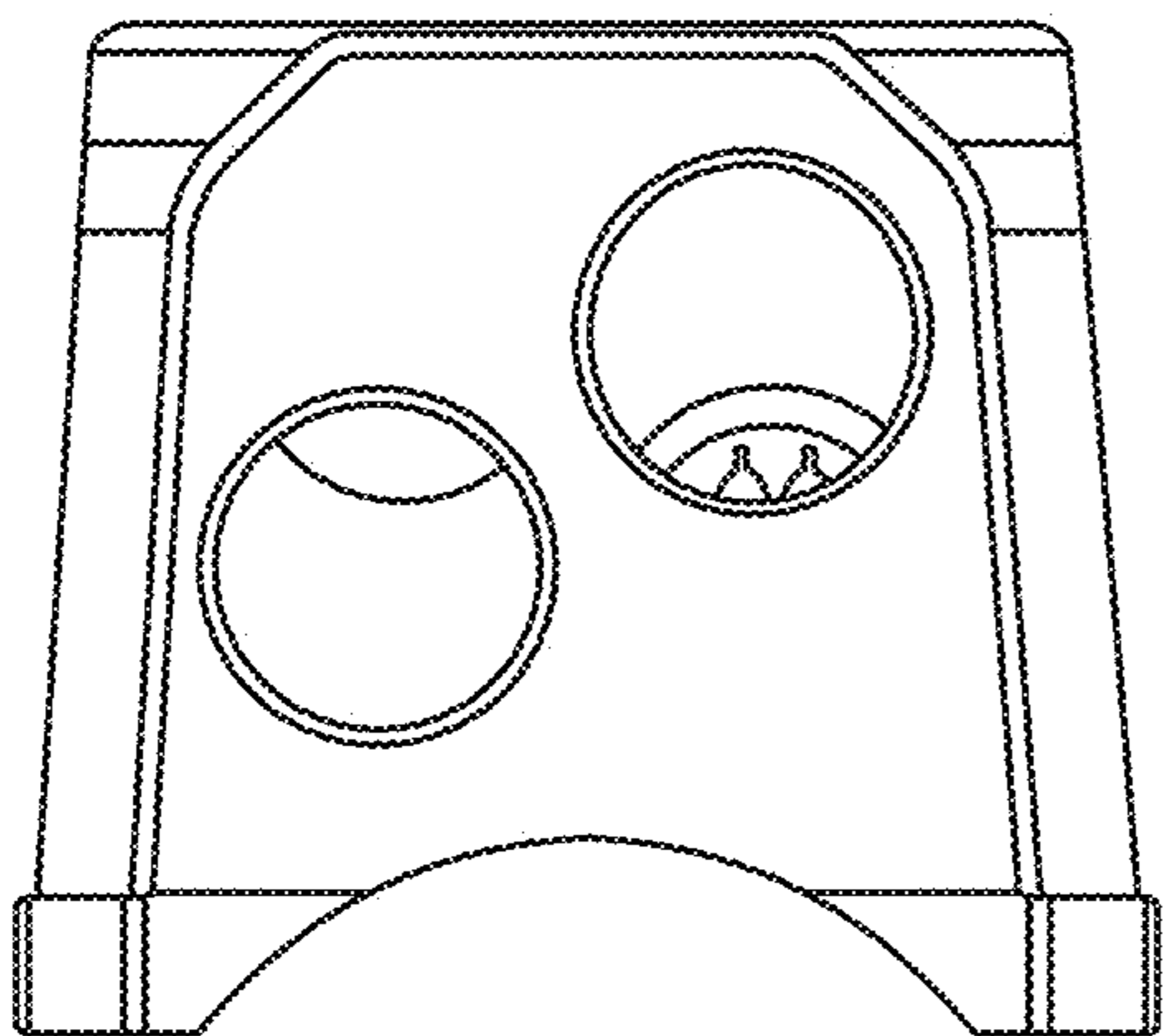


FIG. 7