



US00D988616S

(12) **United States Design Patent**  
**Brandt et al.**

(10) **Patent No.:** **US D988,616 S**  
(45) **Date of Patent:** **\*\* Jun. 6, 2023**

- (54) **PET BRUSH**
- (71) Applicant: **WAHL CLIPPER CORPORATION**,  
Sterling, IL (US)
- (72) Inventors: **Connor Brandt**, Rochelle, IL (US);  
**Robert Snell**, Dearborn Heights, MI  
(US); **Jeff Fleming**, Silvis, IL (US);  
**Chad Aulwes**, Sterling, IL (US);  
**Jui-Tsang Lin**, Taichung (TW)
- (73) Assignee: **WAHL CLIPPER CORPORATION**,  
Sterling, IL (US)

8,322,307 B2 \* 12/2012 Dionne ..... A01K 13/002  
119/625  
8,595,885 B1 \* 12/2013 Weinstein ..... A46B 9/06  
D4/133  
D712,100 S 8/2014 Aulwes et al.  
9,706,753 B2 7/2017 Moeller et al.  
D836,855 S 12/2018 Moeller  
D840,159 S \* 2/2019 Hamilton ..... D4/118  
D853,126 S \* 7/2019 Hamilton ..... D4/118  
D884,293 S \* 5/2020 Yan ..... D30/158  
D884,989 S \* 5/2020 Yan ..... D30/158  
D939,154 S \* 12/2021 Tang ..... D30/159  
D951,562 S \* 5/2022 Zhuo ..... D30/159  
D953,661 S \* 5/2022 Zhang ..... D4/134

- (\*\*) Term: **15 Years**
- (21) Appl. No.: **29/756,754**
- (22) Filed: **Oct. 30, 2020**
- (51) **LOC (14) Cl.** ..... **30-99**
- (52) **U.S. Cl.**  
USPC ..... **D30/159**
- (58) **Field of Classification Search**  
USPC ..... D30/158, 159, 199; 119/600, 603,  
119/611-618, 624, 625, 630, 631, 632,  
119/633, 174  
CPC .... A01K 13/00; A01K 13/003; A01K 13/002;  
A45D 19/026; A45D 24/04; A45D 24/10;  
A45D 24/16; A46B 2200/1086; A46B  
2200/1093  
See application file for complete search history.

- (56) **References Cited**  
U.S. PATENT DOCUMENTS  
1,818,495 A \* 8/1931 Midgley ..... A01K 13/002  
15/186  
5,509,378 A \* 4/1996 Kimura ..... A01K 13/002  
15/186  
D508,299 S \* 8/2005 Dunn ..... D4/138  
D509,032 S \* 8/2005 Dunn ..... D4/138  
D616,651 S \* 6/2010 Lin ..... D30/158

**OTHER PUBLICATIONS**

“Artero Double Flexible Small Slicker” available Dec. 15, 2022, [online], [site visited Dec. 15, 2022]. Retrieved from Internet, URL:https://www.frankroweandson.com/artero-double-flexible-small-slicker?gclid=EAIaIqobChMlklTplsP3-wlVgbzlCh13yQVWEAQYFSABEglXz\_D\_BwE (Year: 2022).\*

(Continued)

*Primary Examiner* — Katrina N Gonzalez  
(74) *Attorney, Agent, or Firm* — Greer, Burns & Crain, Ltd

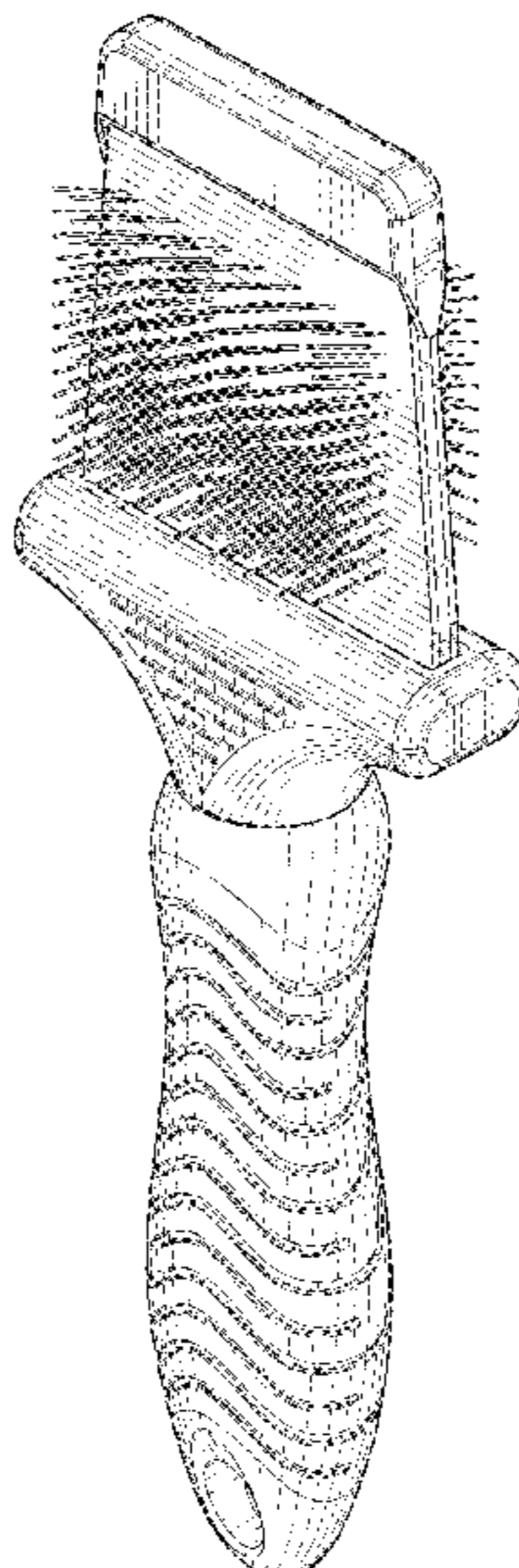
(57) **CLAIM**

The ornamental design for a pet brush, as shown and described.

**DESCRIPTION**

FIG. 1 is a top perspective view of the present pet brush; FIG. 2 is a left side view of the pet brush of FIG. 1; FIG. 3 is a right side view of the pet brush of FIG. 1; FIG. 4 is front view of the pet brush of FIG. 1; FIG. 5 is a rear view of the pet brush of FIG. 1; FIG. 6 is a top of the pet brush of FIG. 1; and, FIG. 7 is a bottom view of the pet brush of FIG. 1.

**1 Claim, 6 Drawing Sheets**



(56)

**References Cited**

## OTHER PUBLICATIONS

“Doggiez Pet Supplies—Slicker Brush” available Nov. 29, 2022, [online], [site visited ]. Retrieved from Internet, URL:[https://www.amazon.com/Doggiez-Pet-Supplies-Deshedding-Grooming/dp/B0BNLXDK6X/ref=sr\\_1\\_198](https://www.amazon.com/Doggiez-Pet-Supplies-Deshedding-Grooming/dp/B0BNLXDK6X/ref=sr_1_198) (Year: 2022).\*

“Wahl Large Double Sided Flex Dog Slicker Brush, Black & Gray” available Dec. 15, 2022, [online], [site visited Dec. 15, 2022]. Retrieved from Internet, URL:<https://www.chewy.com/wahl-large-double-sided-flex-dog/dp/620798> (Year: 2022).\*

“Safari Flexible Slicker Dog Brush” available Aug. 18, 2020, [online], [site visited Dec. 15, 2022]. Retrieved from Internet, URL:<https://www.chewy.com/safari-flexible-slicker-dog-brush/dp/226598> (Year: 2020).\*

“Wahl Double-Sided Flexible Slicker” available 2021, [online], [site visited Dec. 15, 2022]. Retrieved from Internet, URL:<https://www.petsmart.com/dog/grooming-supplies/brushes-combs-and-blowdryers/wahl-double-sided-flexible-slicker-5307640.html> (Year: 2021).\*

“Wahl Professional Animal Double-Sided Flex Slicker Pet Brush” available Apr. 7, 2022, [online], [site visited Dec. 15, 2022]. Retrieved from Internet, URL:[https://www.amazon.com/Wahl-Professional-Animal-Double-Sided-858478/dp/B09XF2FQ9X/ref=asc\\_df\\_B09XF2FQ9X/](https://www.amazon.com/Wahl-Professional-Animal-Double-Sided-858478/dp/B09XF2FQ9X/ref=asc_df_B09XF2FQ9X/) (Year: 2022).\*

\* cited by examiner

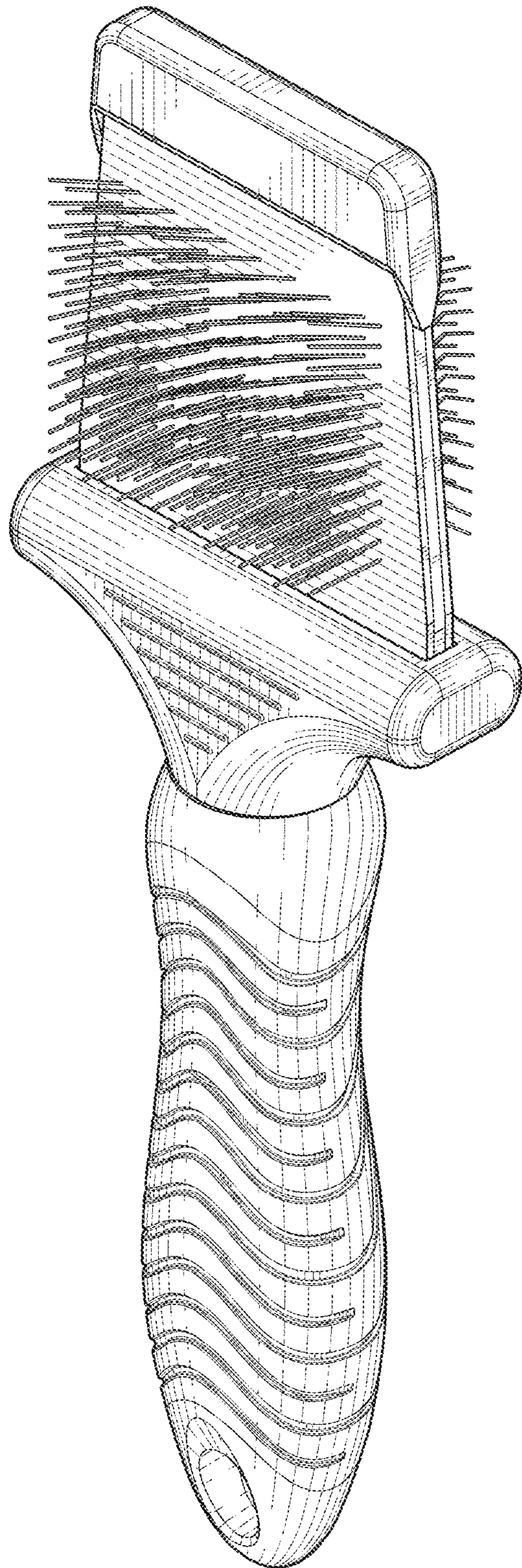


FIG. 1

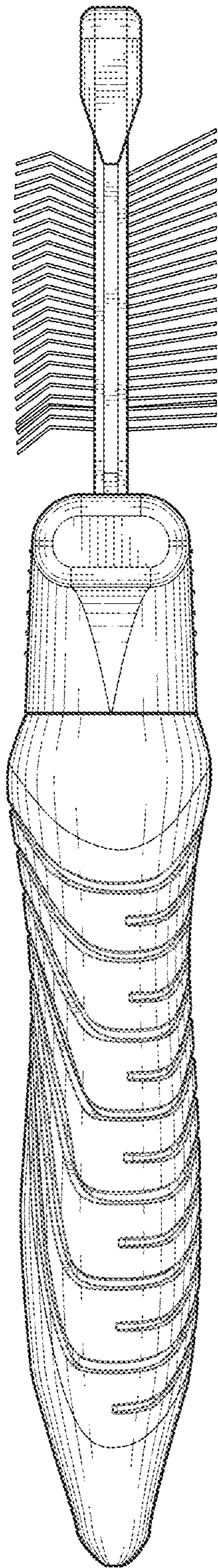


FIG. 2

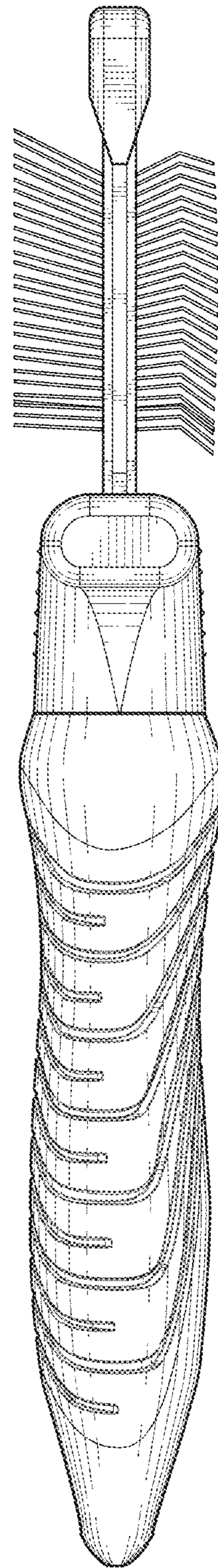


FIG. 3

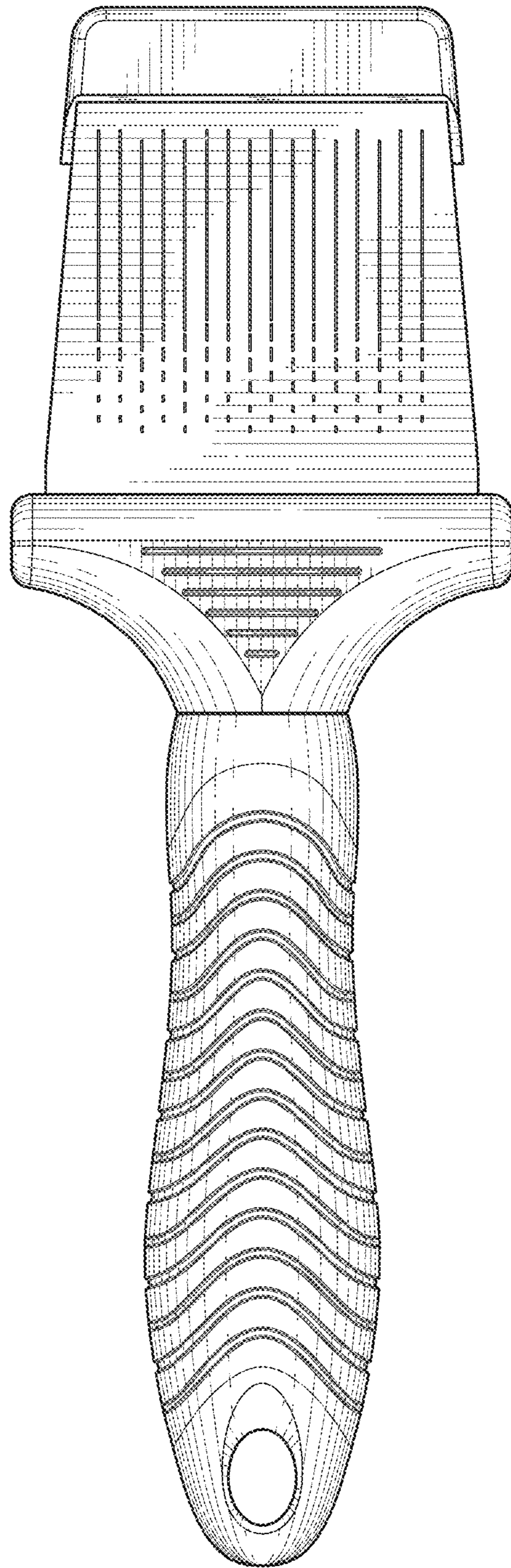


FIG. 4

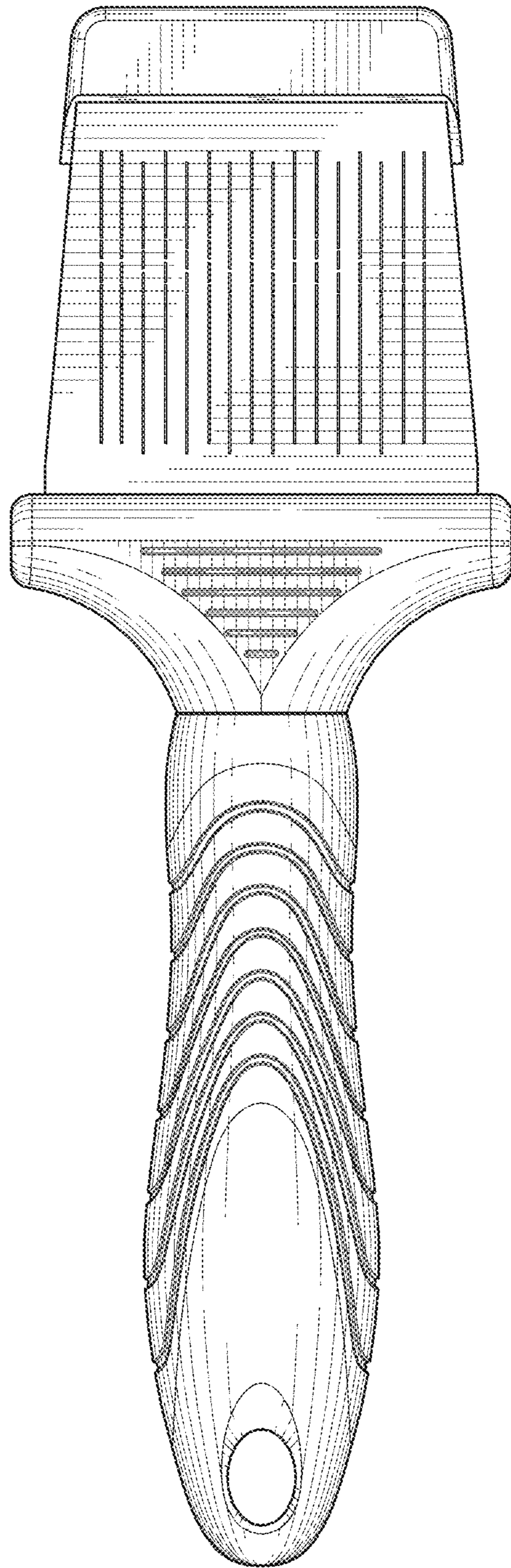


FIG. 5

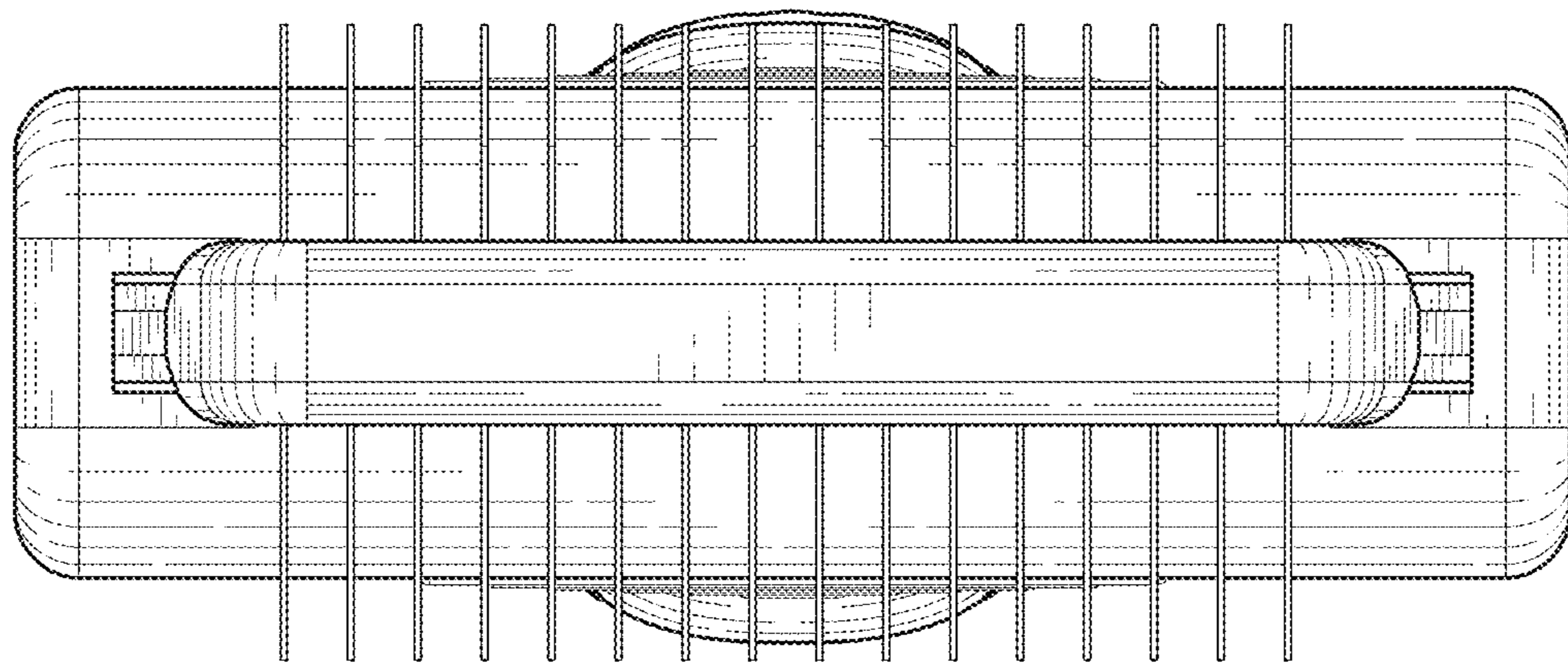


FIG. 6

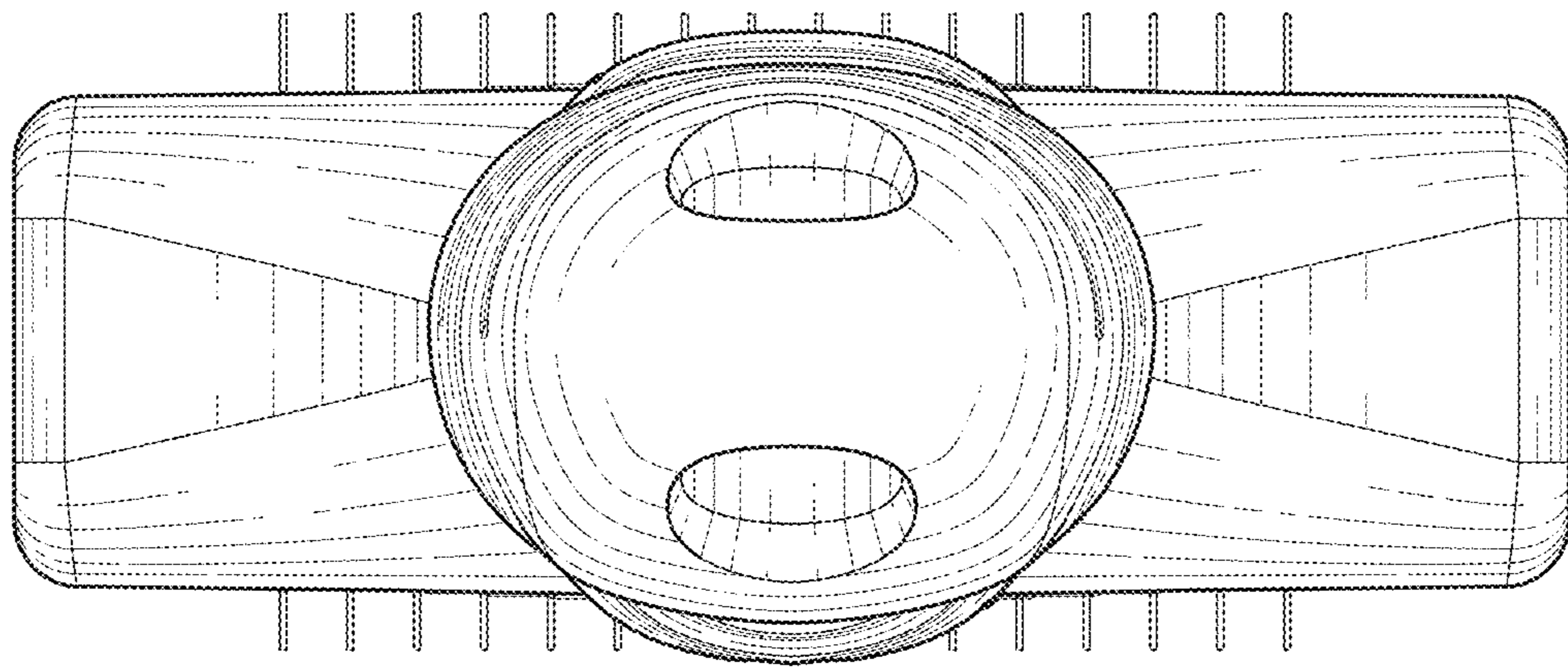


FIG. 7