



US00D988612S

(12) **United States Design Patent**  
**Deng**

(10) **Patent No.:** **US D988,612 S**  
(45) **Date of Patent:** **\*\* Jun. 6, 2023**

(54) **CAT HOUSE**

(71) Applicant: **Guangzhou Yikedashu trading co., ltd**, Guangzhou (CN)

(72) Inventor: **Tingzhu Deng**, Ganzhou (CN)

(\*\*) Term: **15 Years**

(21) Appl. No.: **29/881,772**

(22) Filed: **Jan. 6, 2023**

(51) **LOC (14) Cl.** ..... **30-02**

(52) **U.S. Cl.**  
USPC ..... **D30/118**

(58) **Field of Classification Search**  
USPC ..... D30/108-120, 121-133, 158, 160, 161,  
D30/199

CPC ..... A01K 1/035; A01K 1/033; A01K 1/034  
See application file for complete search history.

(56) **References Cited**

**U.S. PATENT DOCUMENTS**

- 1,129,759 A \* 2/1915 Thuemann ..... A01K 31/08  
119/474
- D179,108 S \* 11/1956 Adamson ..... D30/116
- 2,839,320 A \* 6/1958 Hill ..... F16B 7/0486  
D8/382
- 3,834,549 A \* 9/1974 Burg ..... A47B 47/0016  
403/175
- 3,905,333 A \* 9/1975 Uhrig ..... A01K 1/031  
119/479
- 4,917,047 A \* 4/1990 Wazeter, III ..... A01K 1/03  
119/474
- 5,116,256 A \* 5/1992 Allen ..... A01K 1/034  
119/458
- D356,877 S \* 3/1995 Burks ..... D30/108

(Continued)

**FOREIGN PATENT DOCUMENTS**

- CN 201430248669.3 \* 1/2015
- CN 201630232046.6 \* 11/2016

(Continued)

**OTHER PUBLICATIONS**

Amazon Basics 3-Tier Wire Cat Cage Playpen Kennel, dated to Jun. 20, 2018, amazon.com [online]. Retrieved Mar. 11, 2023 from internet <URL:https://dav.uspto.gov/webapp/applicationViewer.html?casenumber=29881772> (Year: 2018).\*

(Continued)

*Primary Examiner* — Andrew T Nemeth

(74) *Attorney, Agent, or Firm* — Rumit Ranjit Kanakia

(57) **CLAIM**

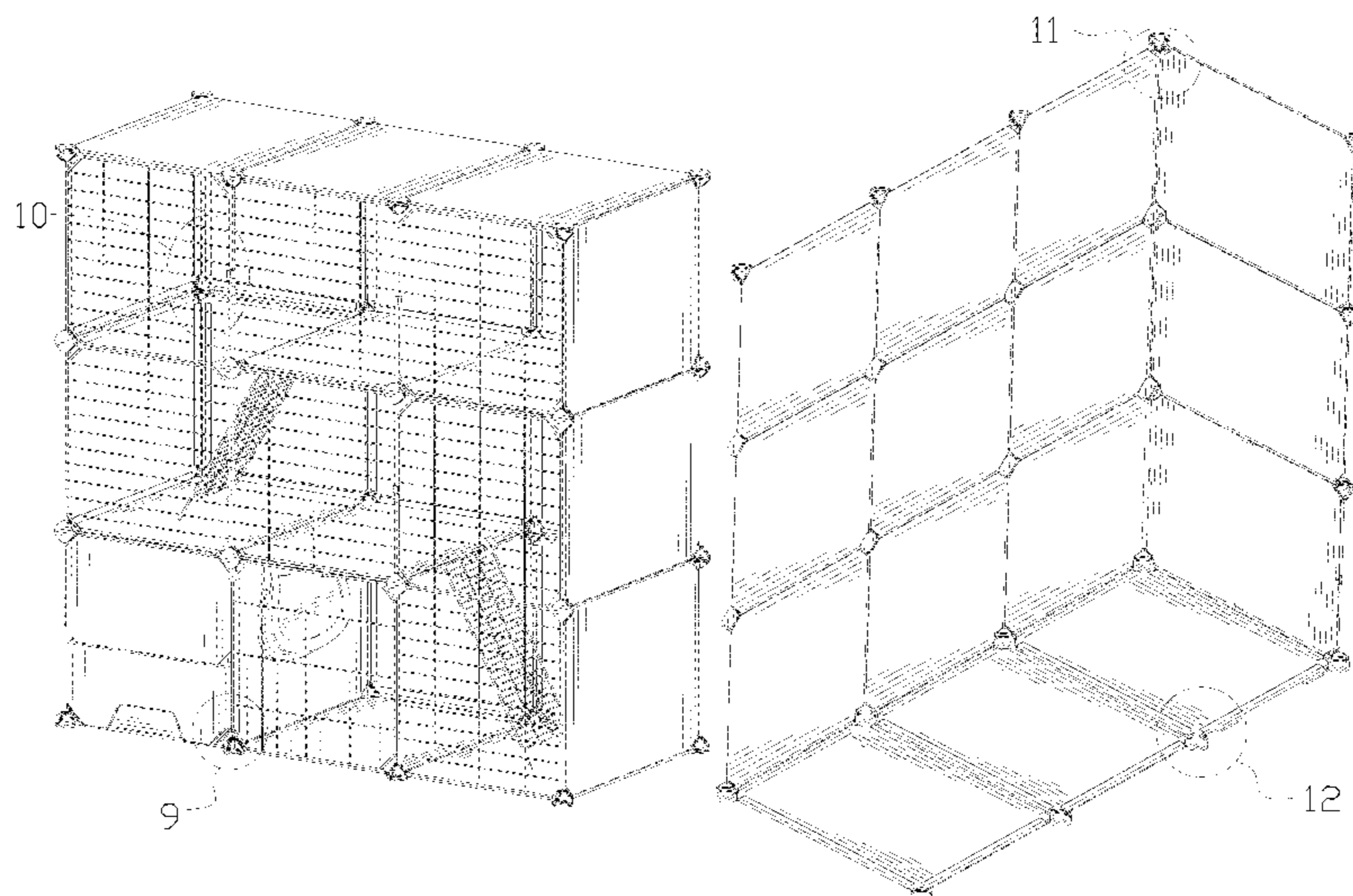
The ornamental design for a cat house, as shown and described.

**DESCRIPTION**

FIG. 1 is a first perspective view of a cat house showing my new design;  
 FIG. 2 is a second perspective view thereof;  
 FIG. 3 is a front view thereof;  
 FIG. 4 is a back view thereof;  
 FIG. 5 is a left side view thereof;  
 FIG. 6 is a right side view thereof;  
 FIG. 7 is a top view thereof;  
 FIG. 8 is a bottom view thereof;  
 FIG. 9 is an enlarged view of the selected portion 9 in FIG. 1;  
 FIG. 10 is an enlarged view of the selected portion 10 in FIG. 1;  
 FIG. 11 is an enlarged view of the selected portion 11 in FIG. 2; and,  
 FIG. 12 is an enlarged view of the selected portion 12 in FIG. 2.

The broken lines shown in the drawings depict the location and boundaries of the enlarged views and form no part of the claimed design.

**1 Claim, 12 Drawing Sheets**



(56)

References Cited

U.S. PATENT DOCUMENTS

5,678,706 A \* 10/1997 Husak ..... A47B 96/20  
403/171  
5,826,545 A \* 10/1998 Steffes ..... A01K 1/03  
119/473  
D427,730 S \* 7/2000 Powers ..... D30/114  
7,487,744 B1 \* 2/2009 Goldberg ..... A01K 31/07  
119/482  
7,827,940 B2 \* 11/2010 Silverman ..... A01K 63/003  
119/474  
D653,405 S \* 1/2012 Cantwell ..... D30/114  
D668,397 S \* 10/2012 Cantwell ..... D30/119  
D670,448 S \* 11/2012 Cantwell ..... D30/114  
D672,511 S \* 12/2012 Cantwell ..... A01K 1/0245  
D30/114  
D695,466 S 12/2013 Michaelis  
D726,972 S \* 4/2015 Cantwell ..... D30/119  
9,167,799 B2 \* 10/2015 Casto ..... A01K 1/03  
9,521,826 B2 \* 12/2016 Rybka ..... A01K 15/02  
9,706,750 B2 \* 7/2017 Vaccari ..... A01K 31/08  
D834,764 S \* 11/2018 Murray ..... B60R 3/02  
D30/114  
10,660,298 B2 \* 5/2020 Cantwell ..... A01K 1/033  
10,757,911 B2 \* 9/2020 Volin ..... A01K 1/034  
D930,277 S \* 9/2021 Huthmaker ..... D30/119  
D939,153 S \* 12/2021 Zheng ..... D30/116  
D950,042 S 4/2022 Gu

D950,043 S 4/2022 Gu  
D967,553 S \* 10/2022 Sternal ..... D30/114  
2011/0132273 A1 \* 6/2011 Greene ..... A01K 1/033  
119/472  
2020/0408233 A1 \* 12/2020 Zhu ..... E04H 17/163  
2021/0112773 A1 \* 4/2021 Vaccari ..... A01K 1/0245  
2022/0304274 A1 \* 9/2022 Vaccari ..... A01K 1/032

FOREIGN PATENT DOCUMENTS

CN 201730116452.0 \* 9/2017  
CN 201730271450.9 \* 1/2018  
CN 201930194590.X \* 10/2019  
CN 201930597808.6 \* 5/2020  
CN 202030543153.7 \* 2/2021  
CN 202030603414.X \* 2/2021  
CN 202030603410.1 \* 3/2021  
CN 202130520585.0 \* 11/2021  
KR 3010098270000M001 \* 6/2019  
KR 3010098280000M001 \* 6/2019

OTHER PUBLICATIONS

Eiiel Cat Cabinet 4 Tier Semi-Enclosed Cage, dated to Oct. 19, 2022, amazon.com [online]. Retrieved Mar. 11, 2023 from internet <URL:https://www.amazon.com/dp/B0BJP831CT/?th=1> (Year: 2022).\*

\* cited by examiner

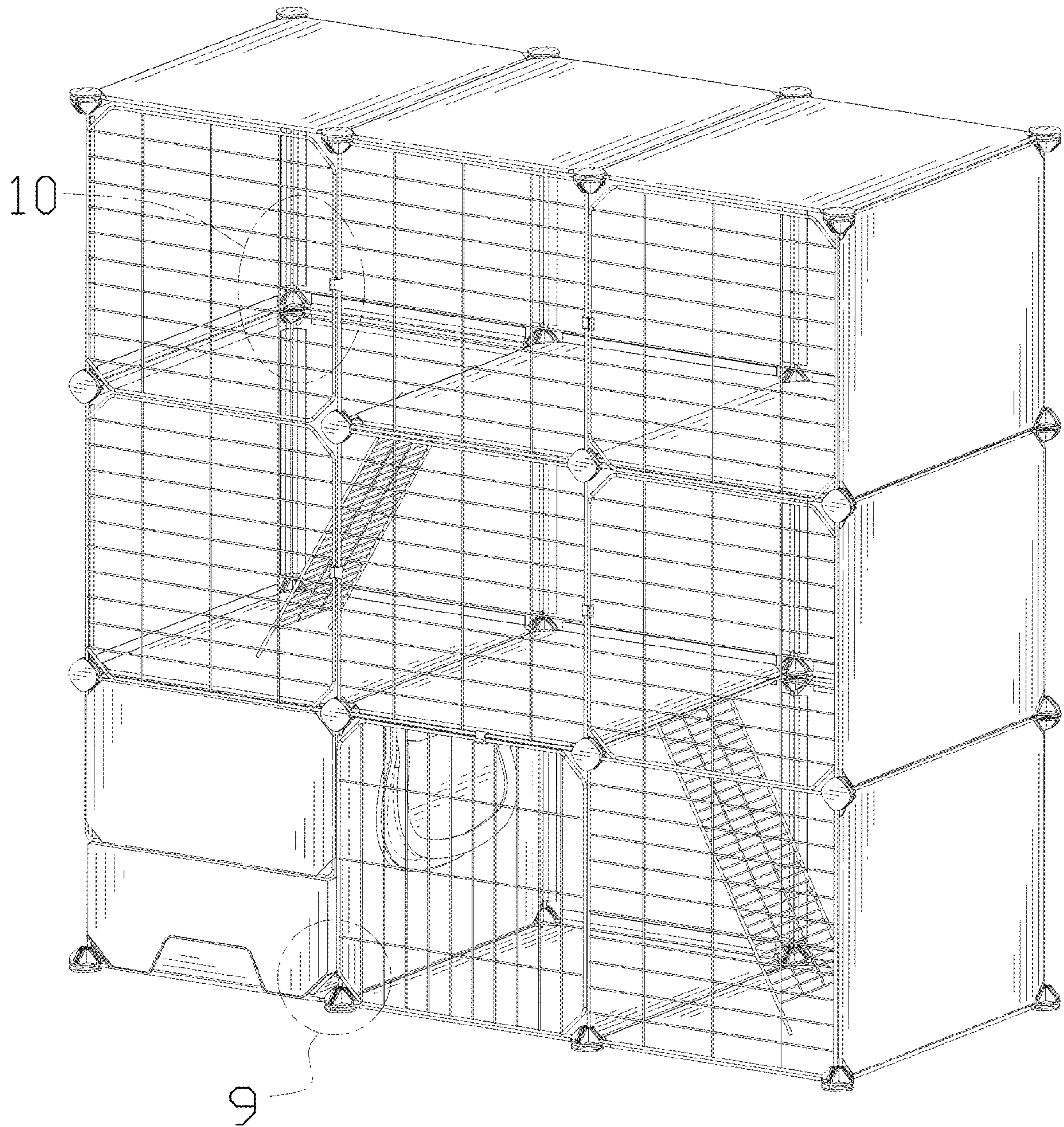


FIG. 1

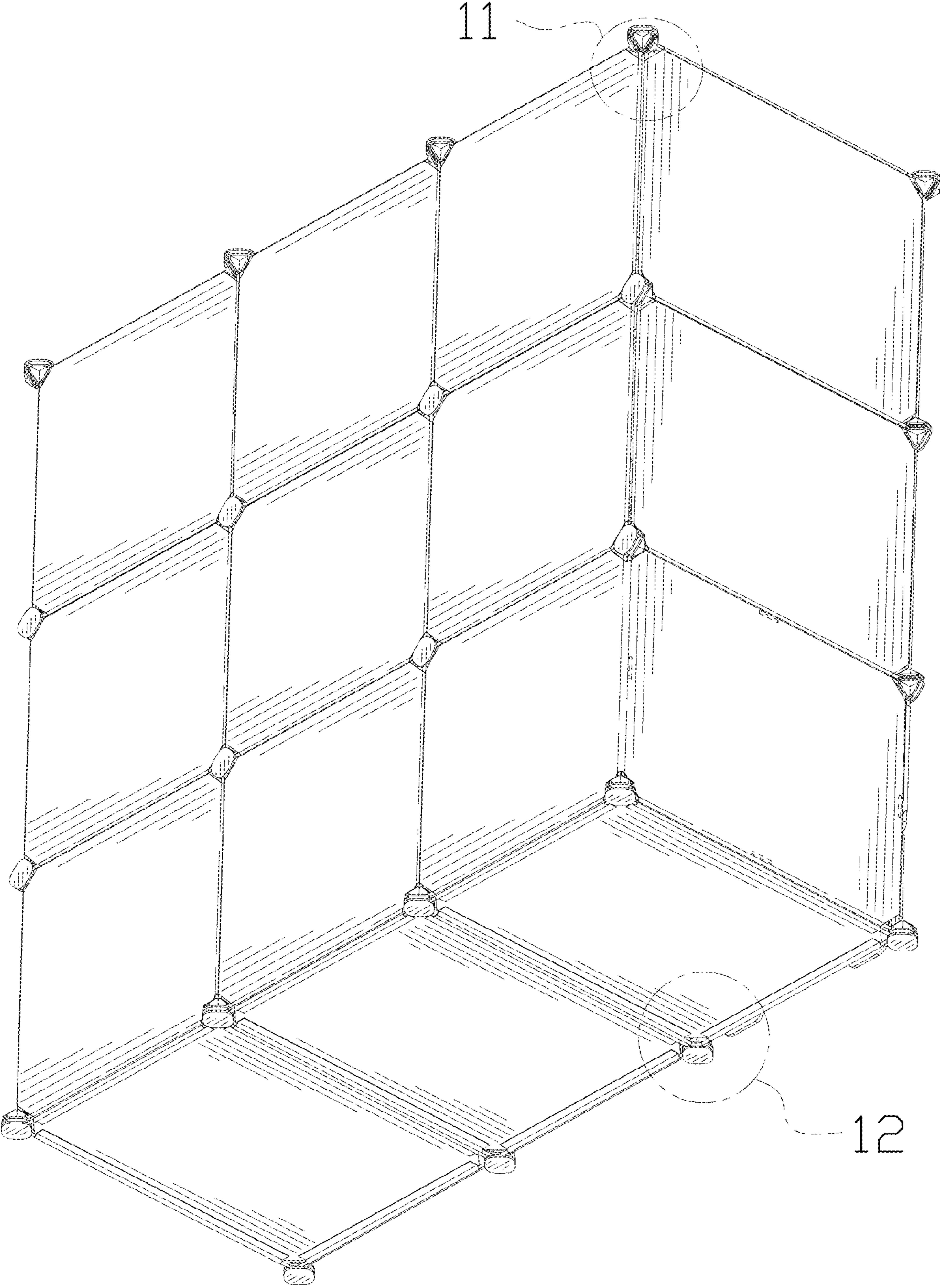


FIG. 2

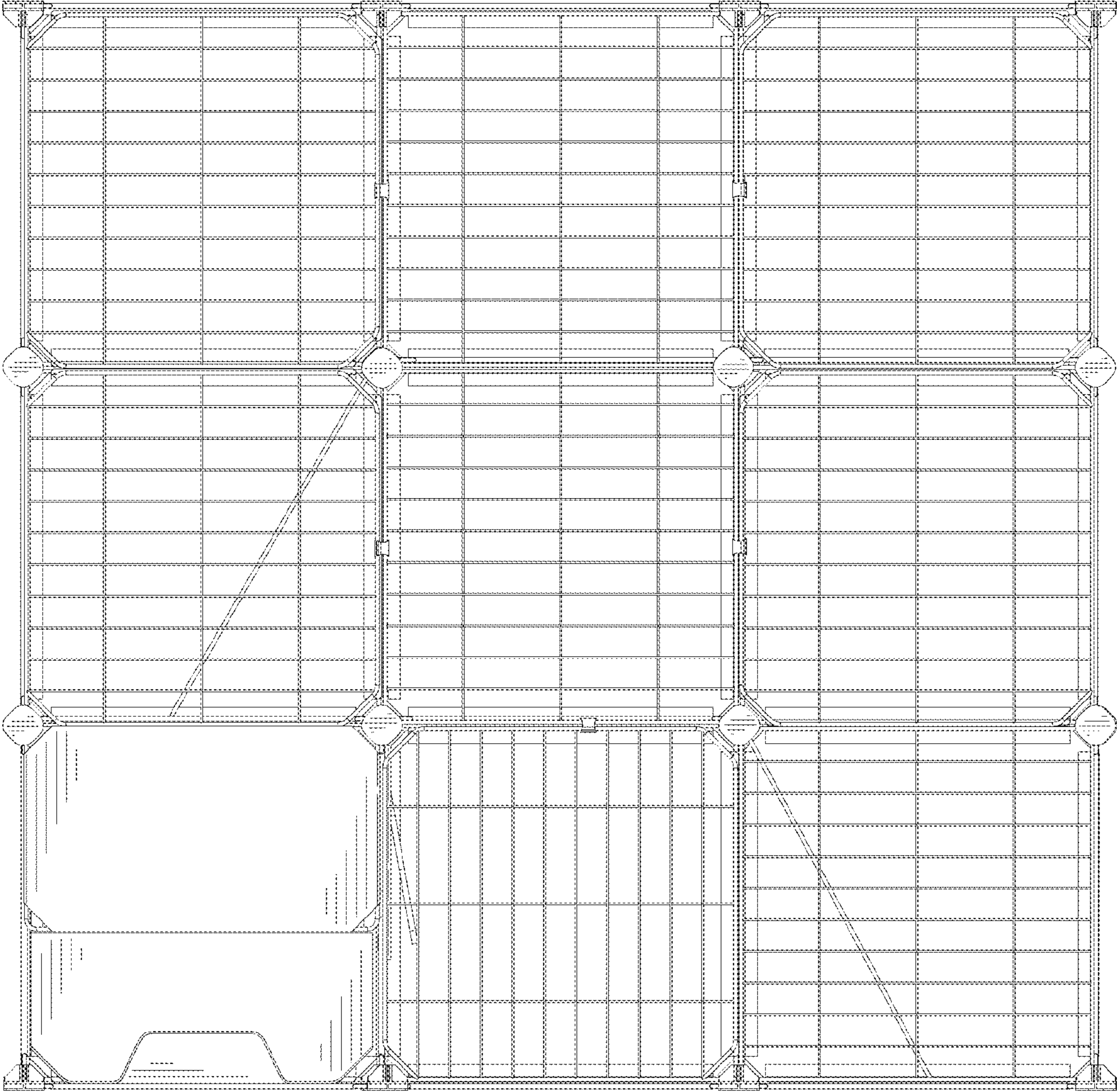


FIG. 3

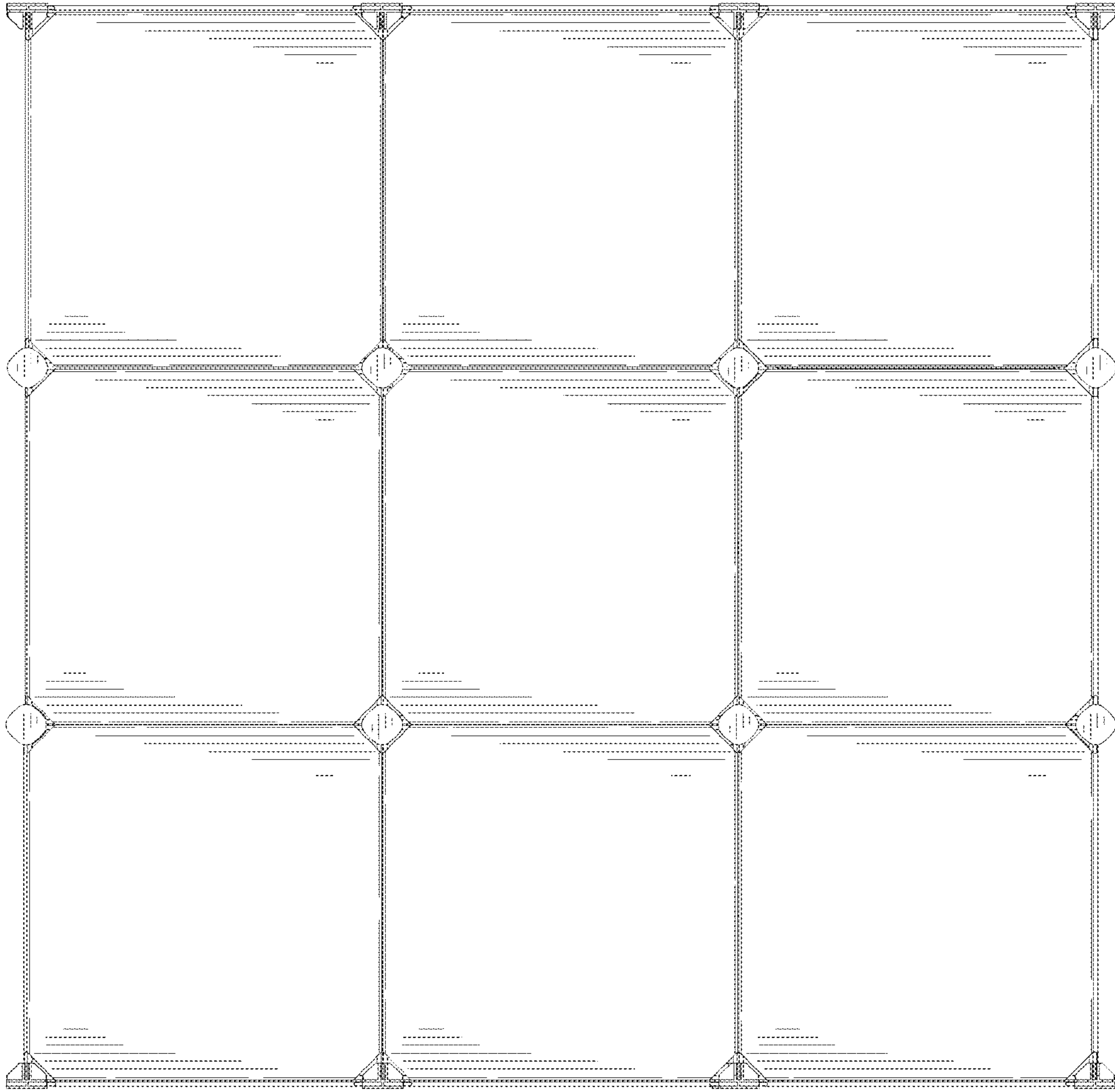


FIG. 4

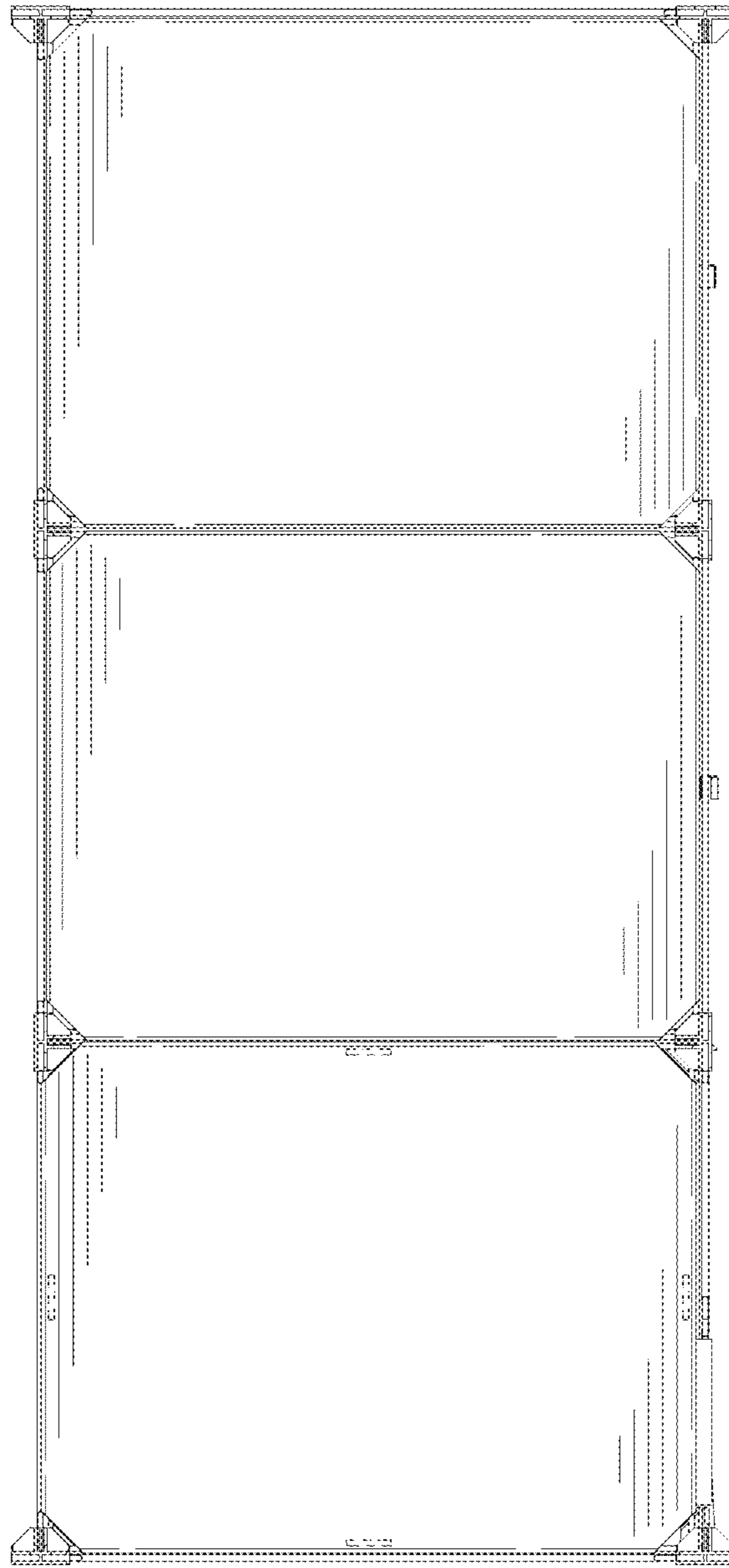


FIG. 5

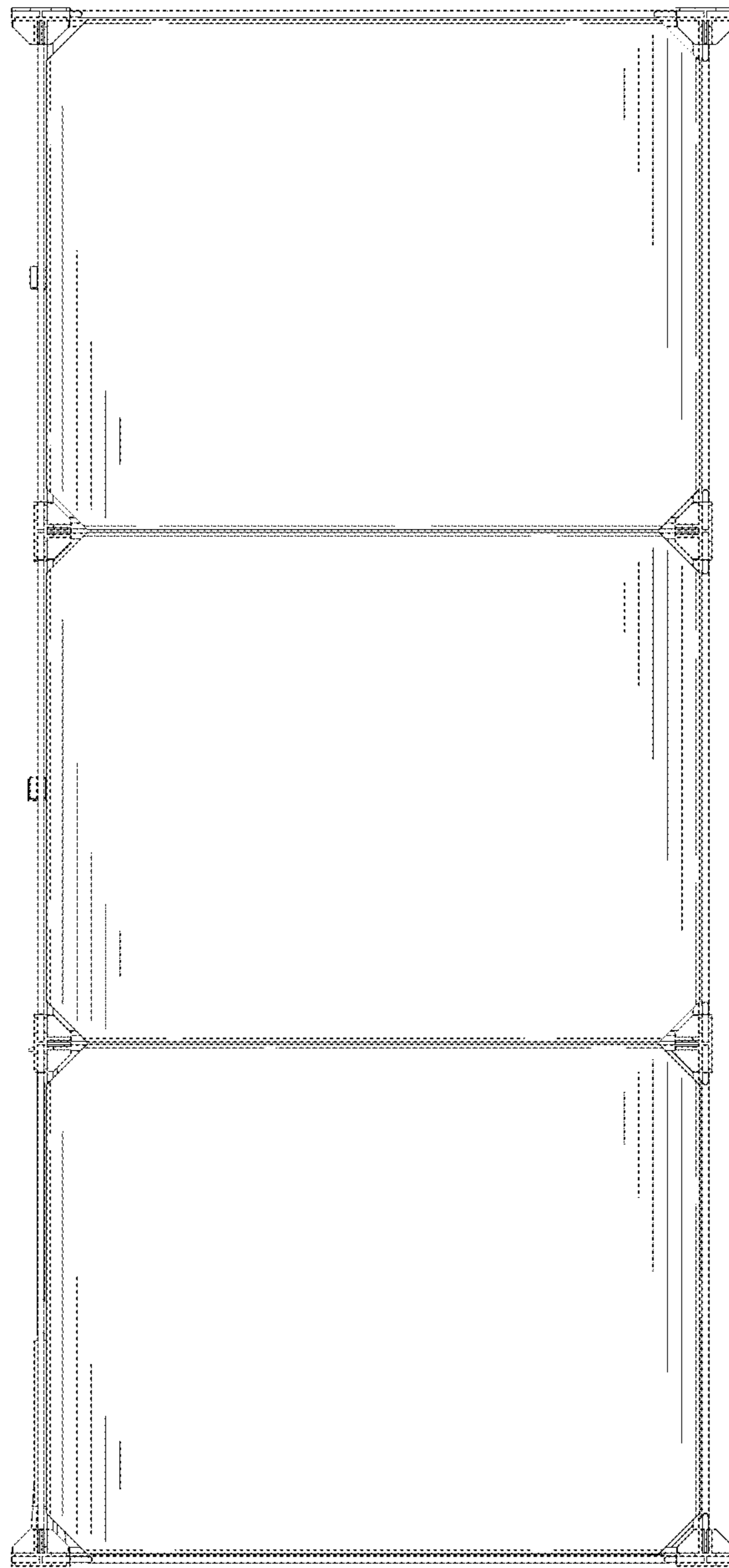


FIG. 6



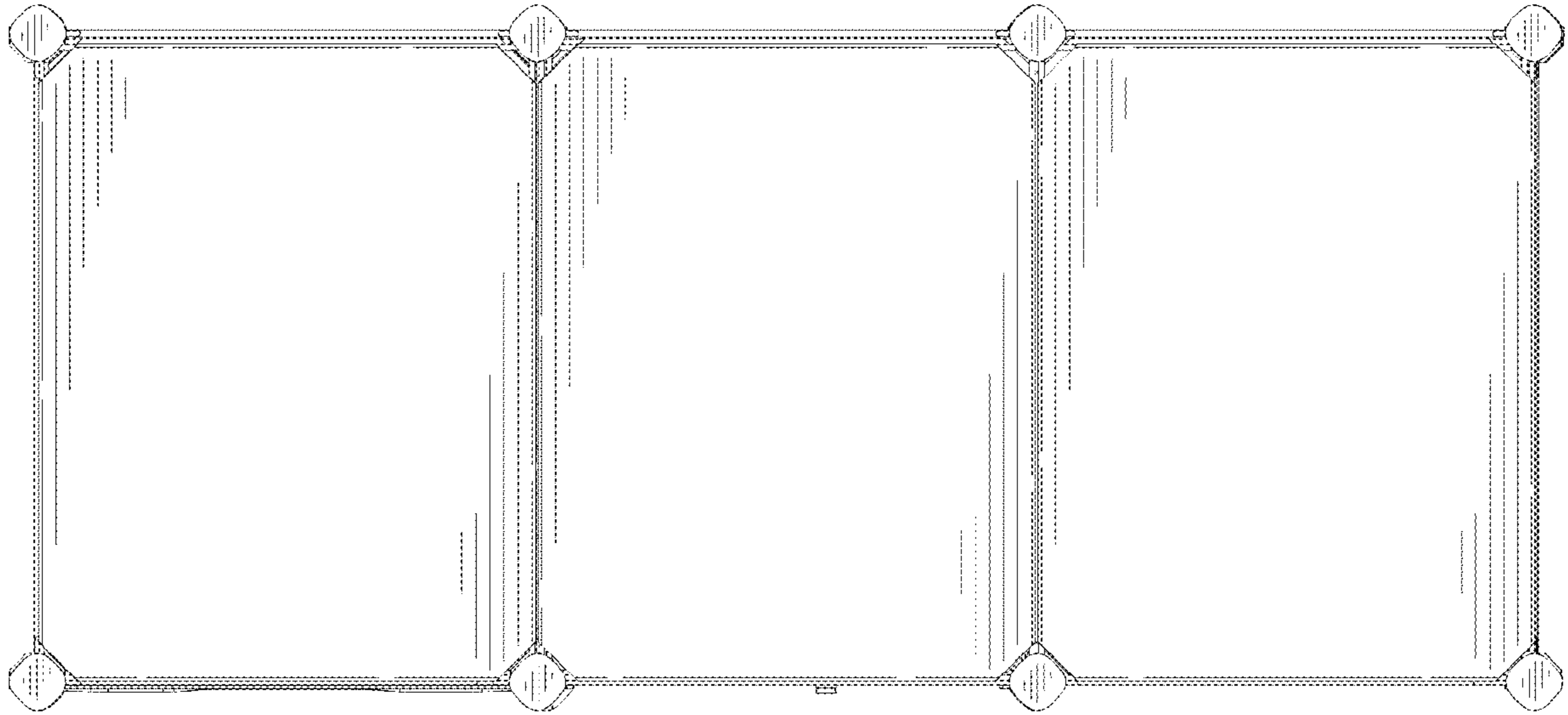


FIG. 7

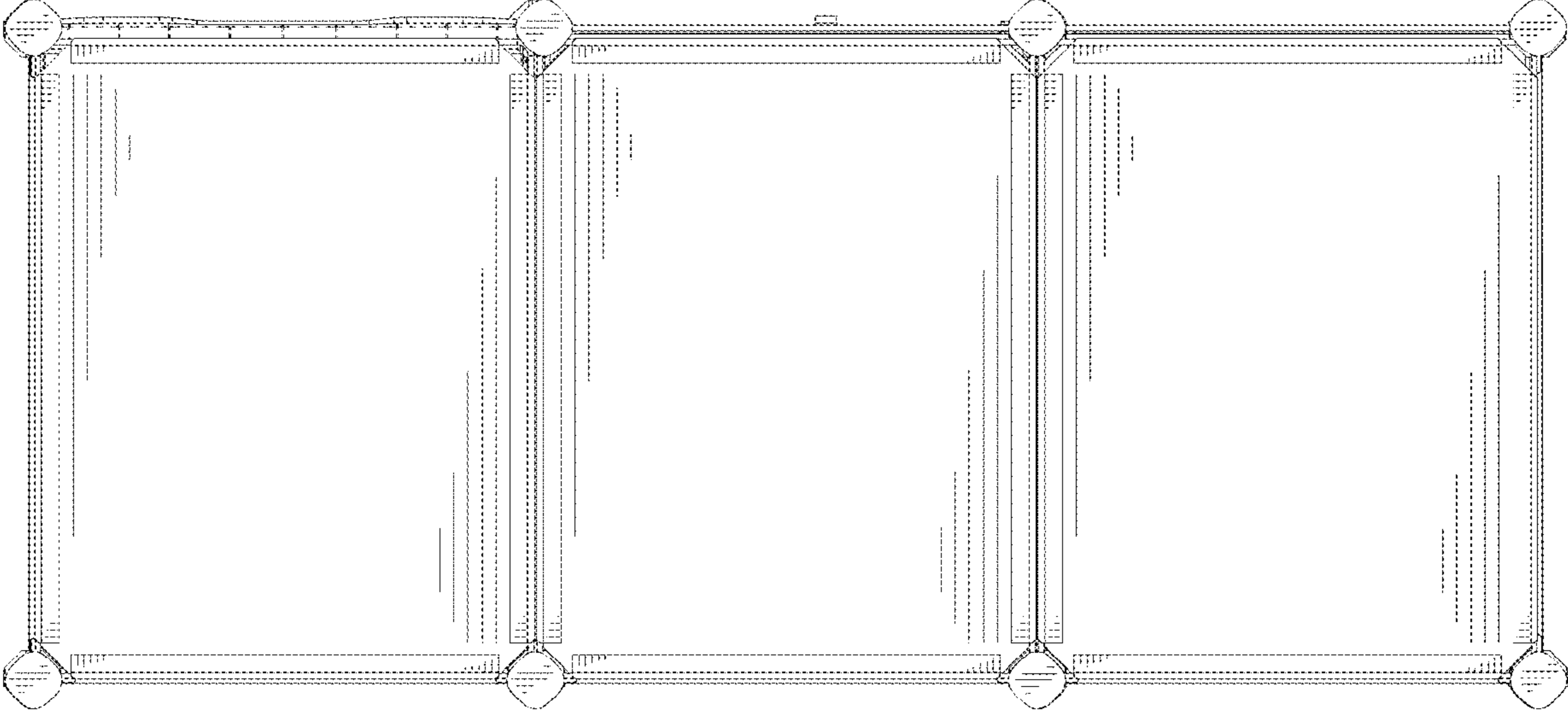


FIG. 8

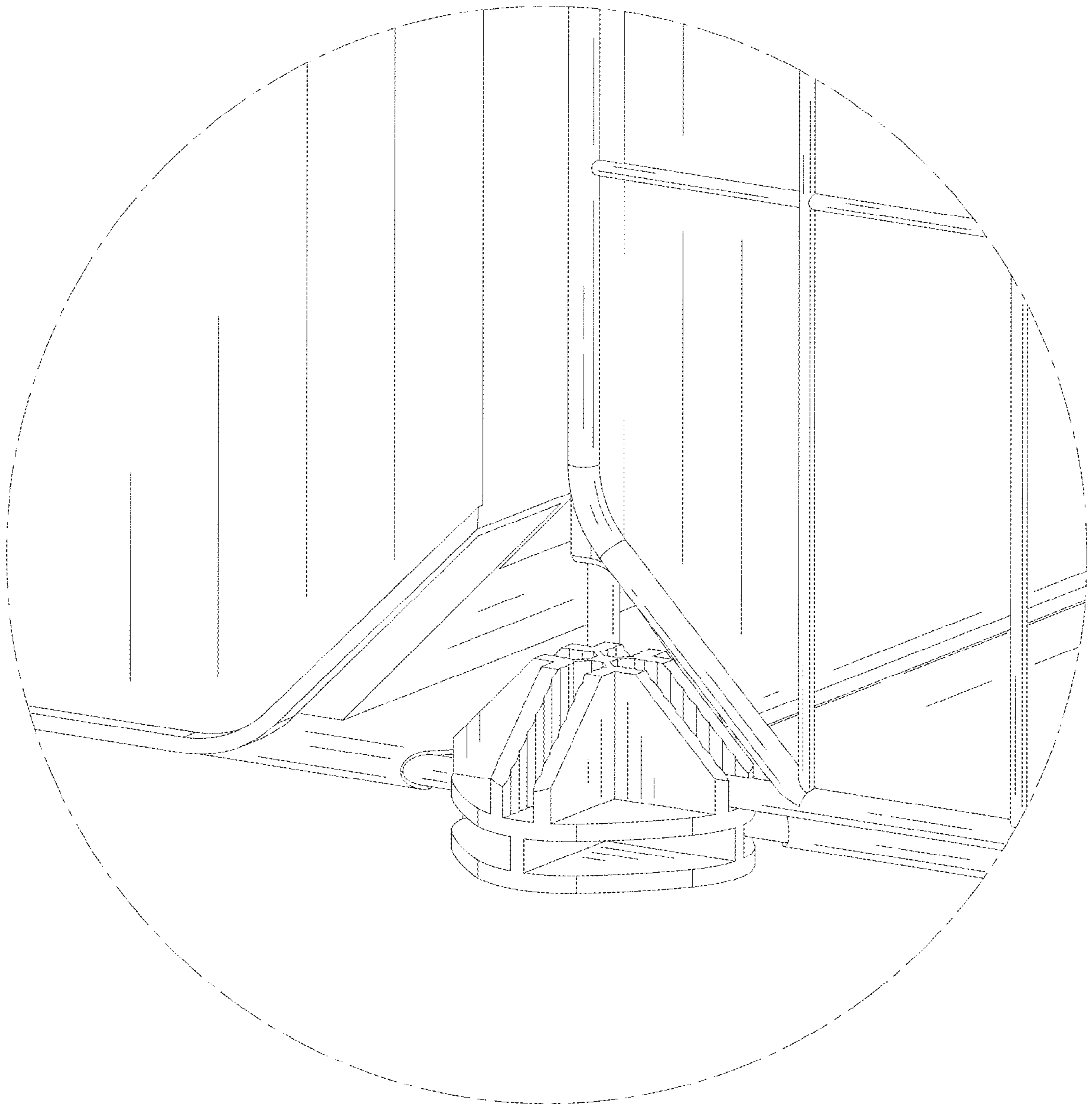


FIG. 9

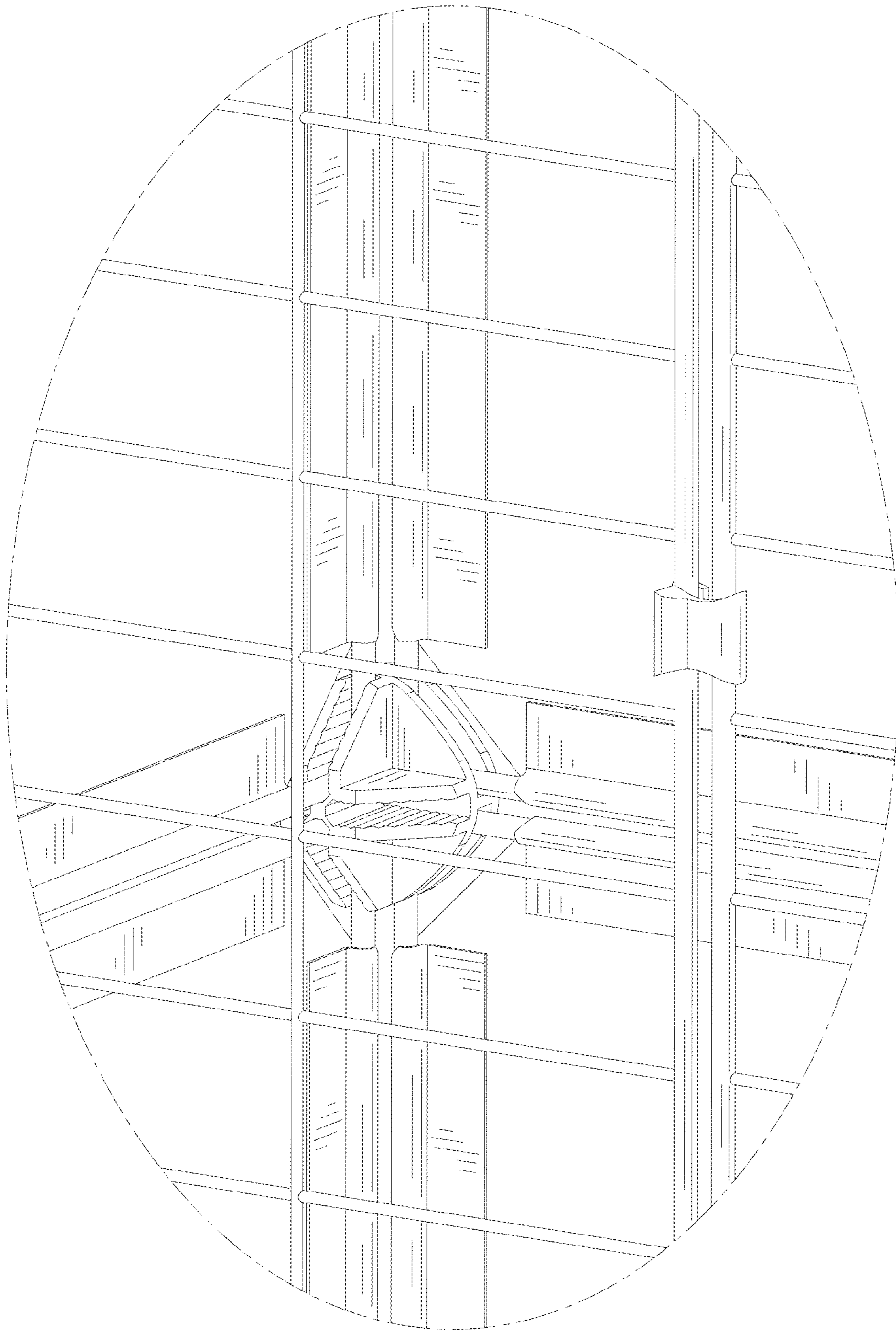


FIG. 10

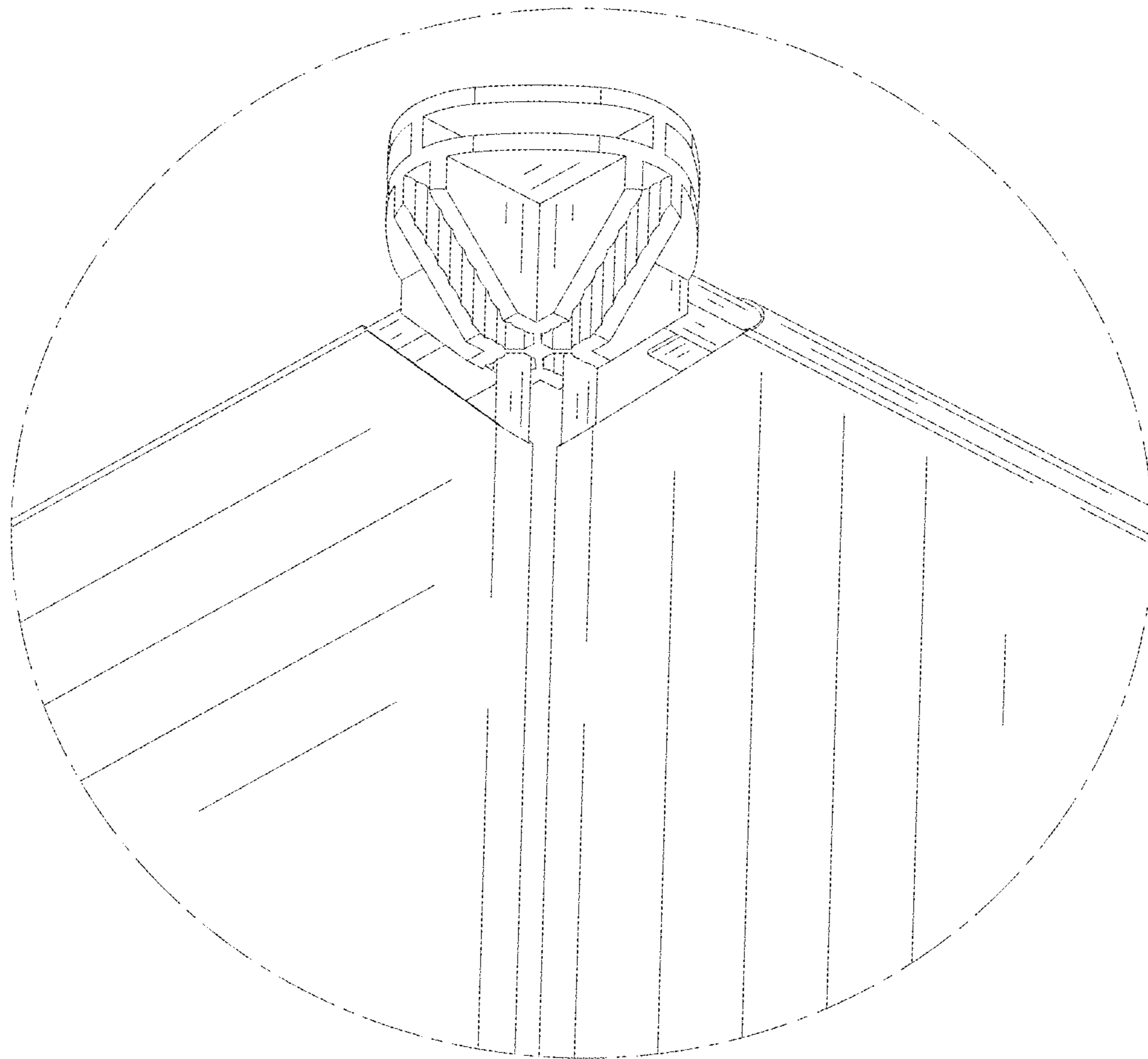


FIG. 11

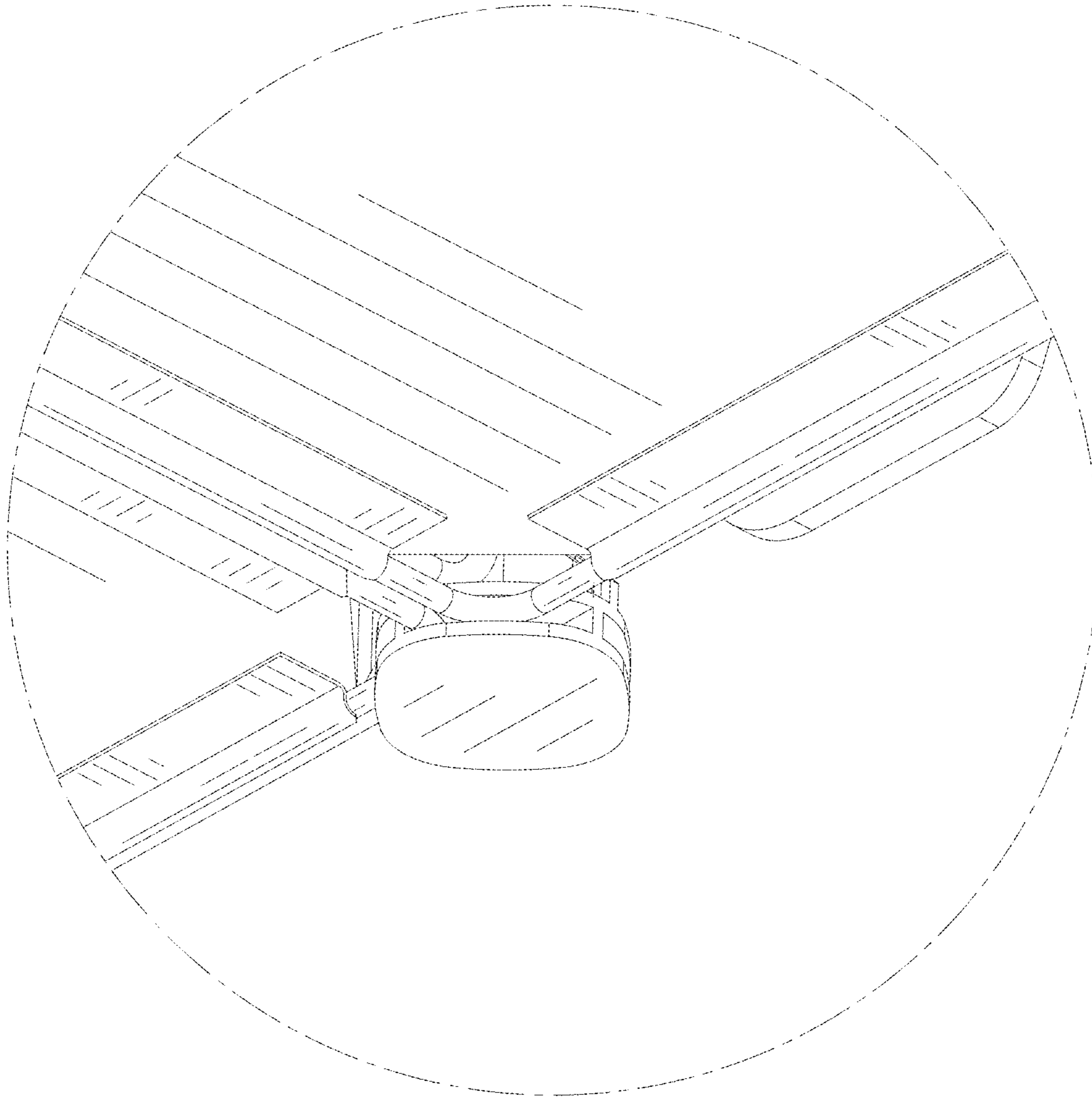


FIG. 12