



US00D988611S

(12) **United States Design Patent**  
**Pang**

(10) **Patent No.:** **US D988,611 S**  
(45) **Date of Patent:** **\*\* Jun. 6, 2023**

(54) **PET STROLLER**

(71) Applicant: **Suzhou Mase Network Technology Co., Ltd., Suzhou (CN)**

(72) Inventor: **Dongjing Pang, Xinyi (CN)**

(73) Assignee: **Suzhou Mase Network Technology Co., Ltd., Suzhou (CN)**

(\*\*) Term: **15 Years**

(21) Appl. No.: **29/856,618**

(22) Filed: **Oct. 14, 2022**

(51) **LOC (14) Cl.** ..... **30-02**

(52) **U.S. Cl.**  
USPC ..... **D30/109; D12/129**

(58) **Field of Classification Search**  
USPC ..... D30/108-109; D12/129, 101  
CPC .. A01K 1/0236; A01K 1/0254; A01K 1/0035;  
A01K 1/0281; A01K 31/07; B62B  
2202/42; B62B 9/14; B62B 9/142; B62B  
9/20; B62B 9/12; B62B 9/26; B62B 9/00;  
B62B 9/18; B62B 5/0013; B62B  
2205/104; B62B 3/00; B62B 3/02; B62B  
7/00; B62B 7/064; B62B 7/126; B62B  
7/08; B62B 2206/04; B62B 2204/00

See application file for complete search history.

(56) **References Cited**

**U.S. PATENT DOCUMENTS**

D332,069 S \* 12/1992 Gibson ..... D12/128  
5,669,624 A \* 9/1997 Eichhorn ..... B62B 9/26  
D12/129

D396,026 S \* 7/1998 Arvai ..... D12/102  
D641,293 S \* 7/2011 Tsai ..... D12/129  
D705,996 S \* 5/2014 Renforth ..... D30/108  
D793,914 S \* 8/2017 Eriksson ..... D12/129  
9,908,552 B2 \* 3/2018 Fleming ..... B62B 7/10  
D827,939 S \* 9/2018 Jakubowski ..... D12/129  
D855,899 S \* 8/2019 Jakubowski ..... D30/109  
D937,139 S \* 11/2021 Eriksson ..... D12/129  
D955,060 S 6/2022 Wu  
2018/0132446 A1 \* 5/2018 Jakubowski ..... B62B 7/105  
2019/0053462 A1 \* 2/2019 Lin ..... B62B 3/02

\* cited by examiner

*Primary Examiner* — Aula Soroush

(74) *Attorney, Agent, or Firm* — Nitin Kaushik

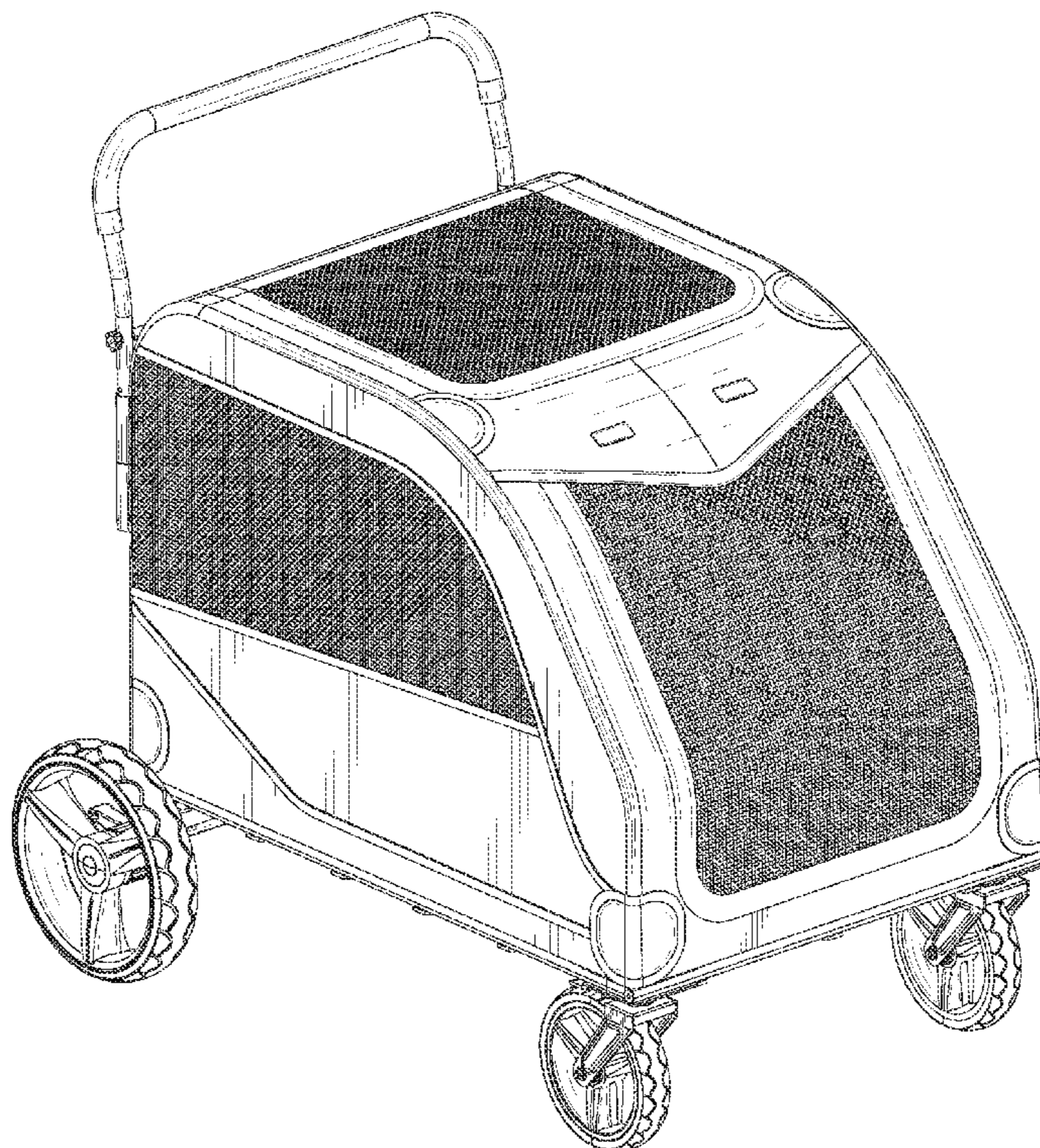
(57) **CLAIM**

The ornamental design for a pet stroller, as shown and described.

**DESCRIPTION**

FIG. 1 is a front perspective view of a pet stroller, showing my new design;  
FIG. 2 is a front view thereof;  
FIG. 3 is a rear view thereof;  
FIG. 4 is a left side view thereof;  
FIG. 5 is a right side view thereof;  
FIG. 6 is a top view thereof;  
FIG. 7 is a bottom view thereof; and,  
FIG. 8 is a rear perspective view thereof.  
The broken lines in the drawings illustrate the portions of the pet stroller, which form no part of the claimed design.

**1 Claim, 8 Drawing Sheets**



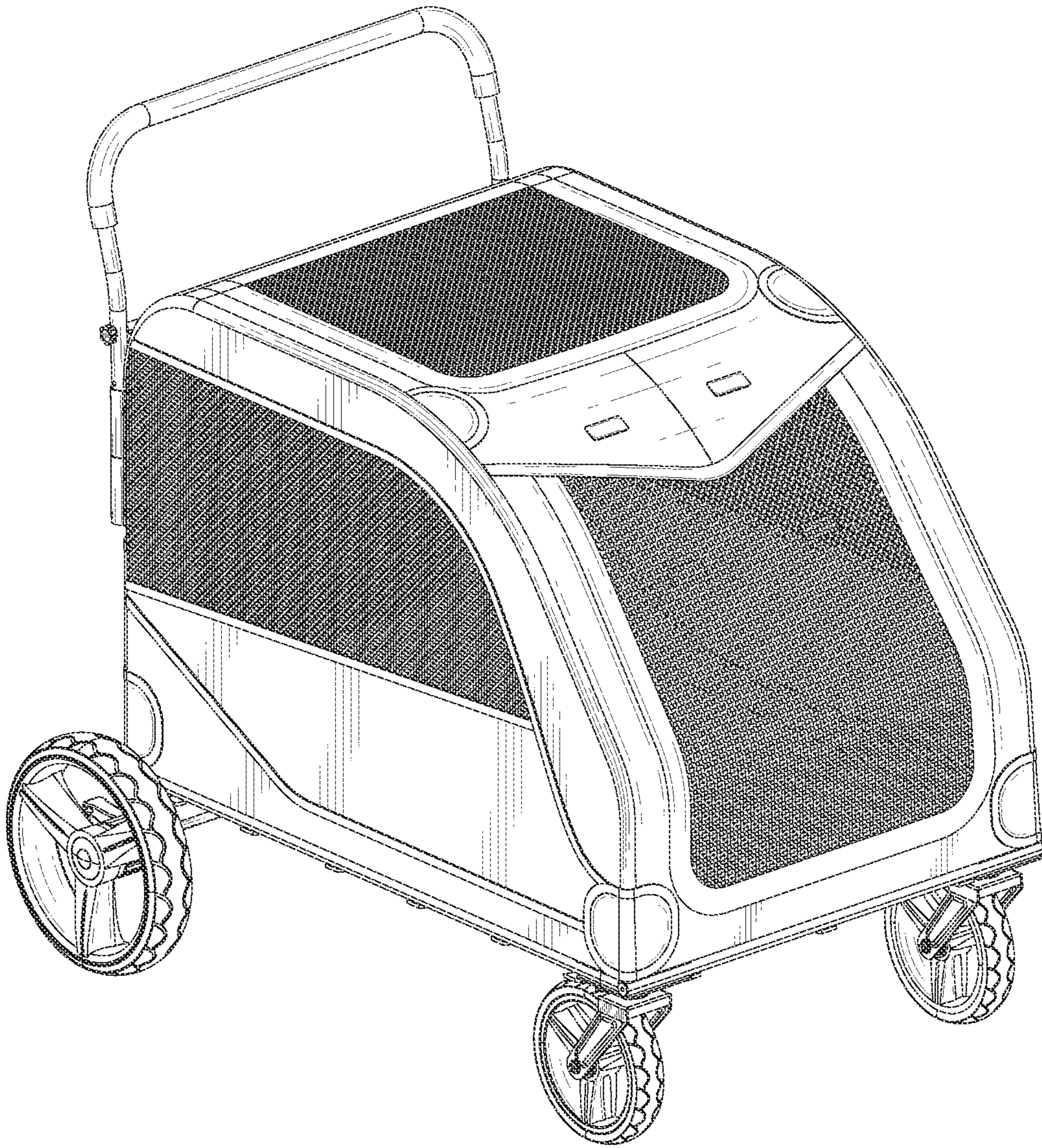


FIG. 1

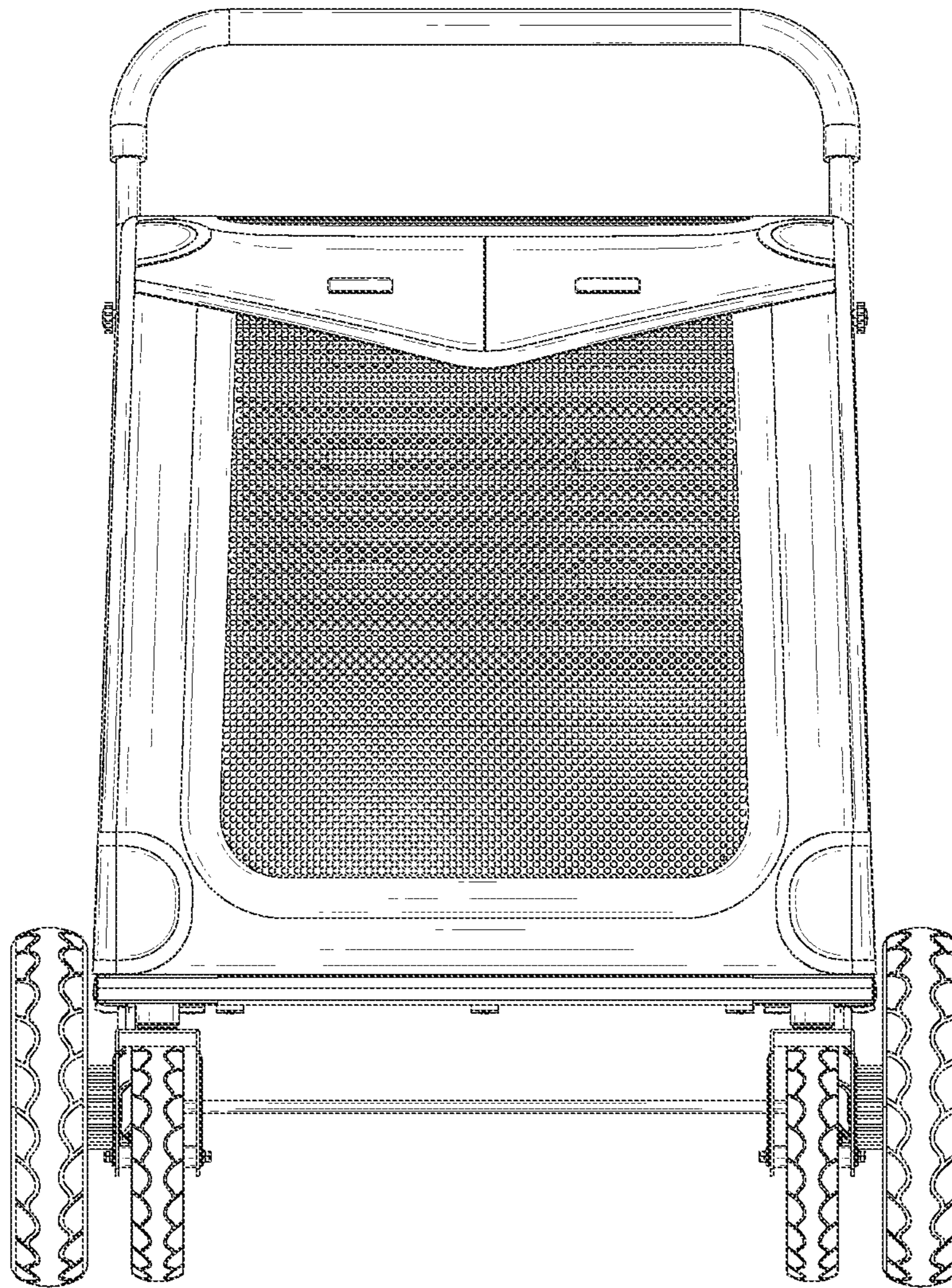


FIG. 2

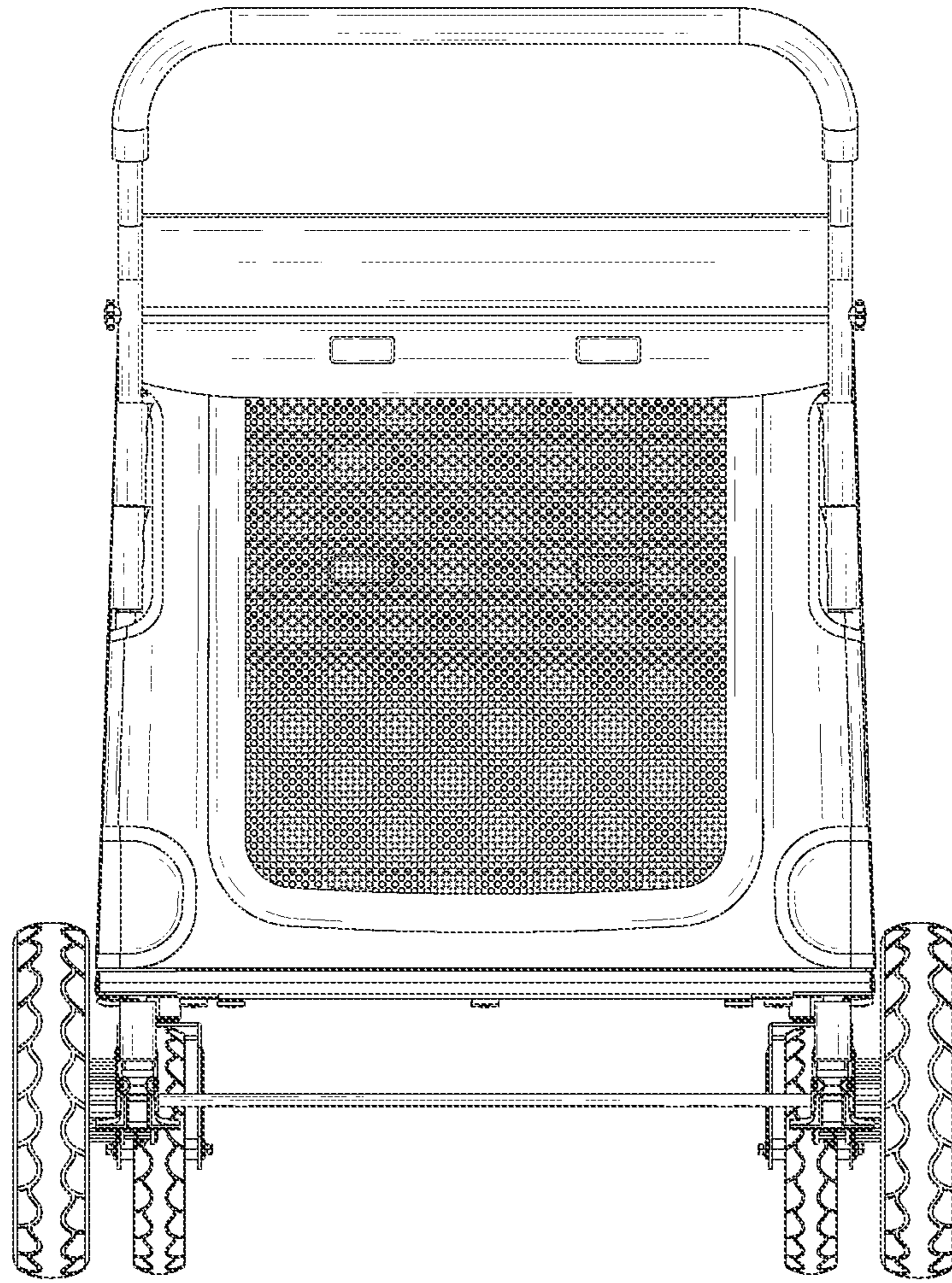


FIG. 3

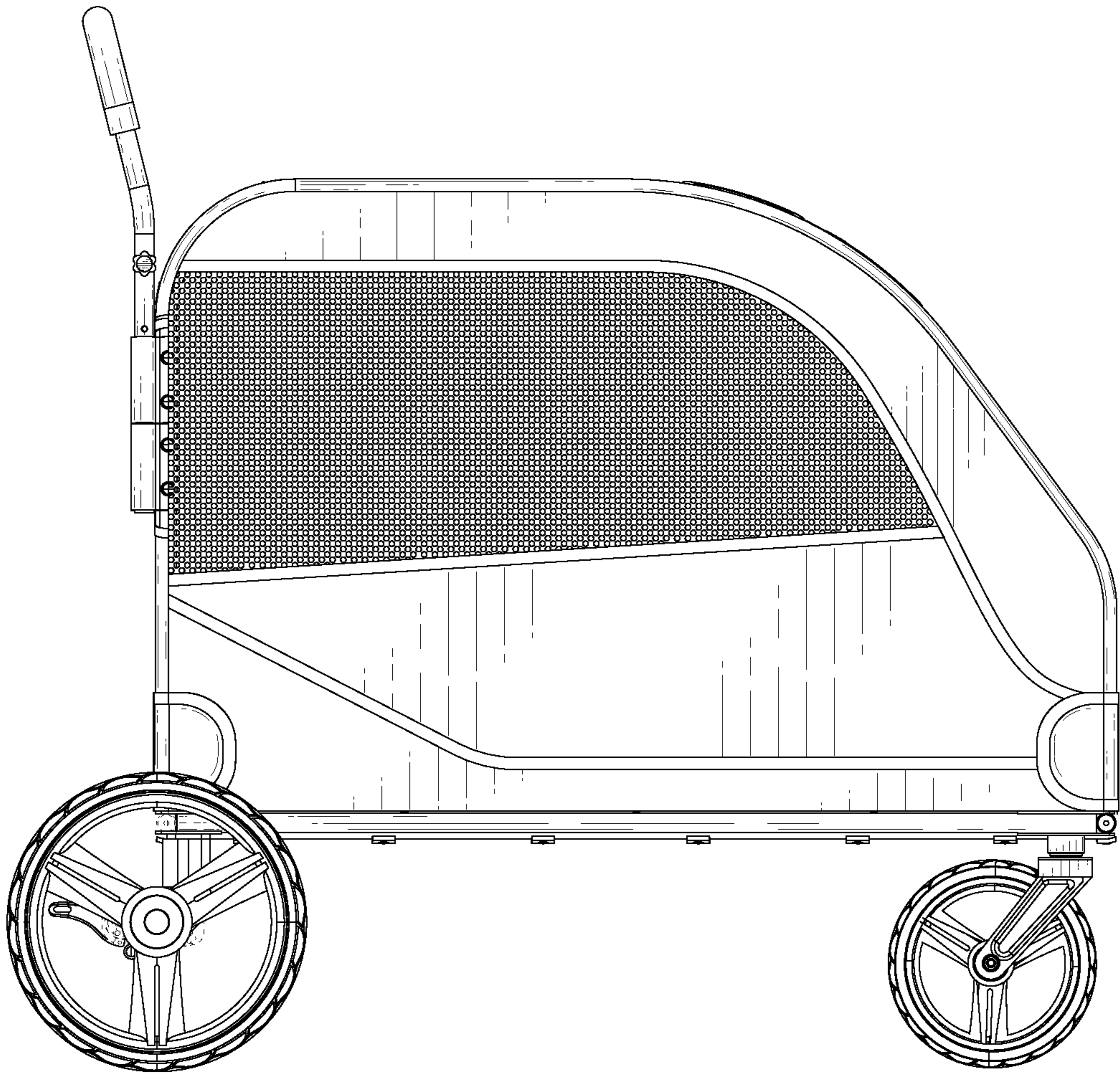


FIG. 4

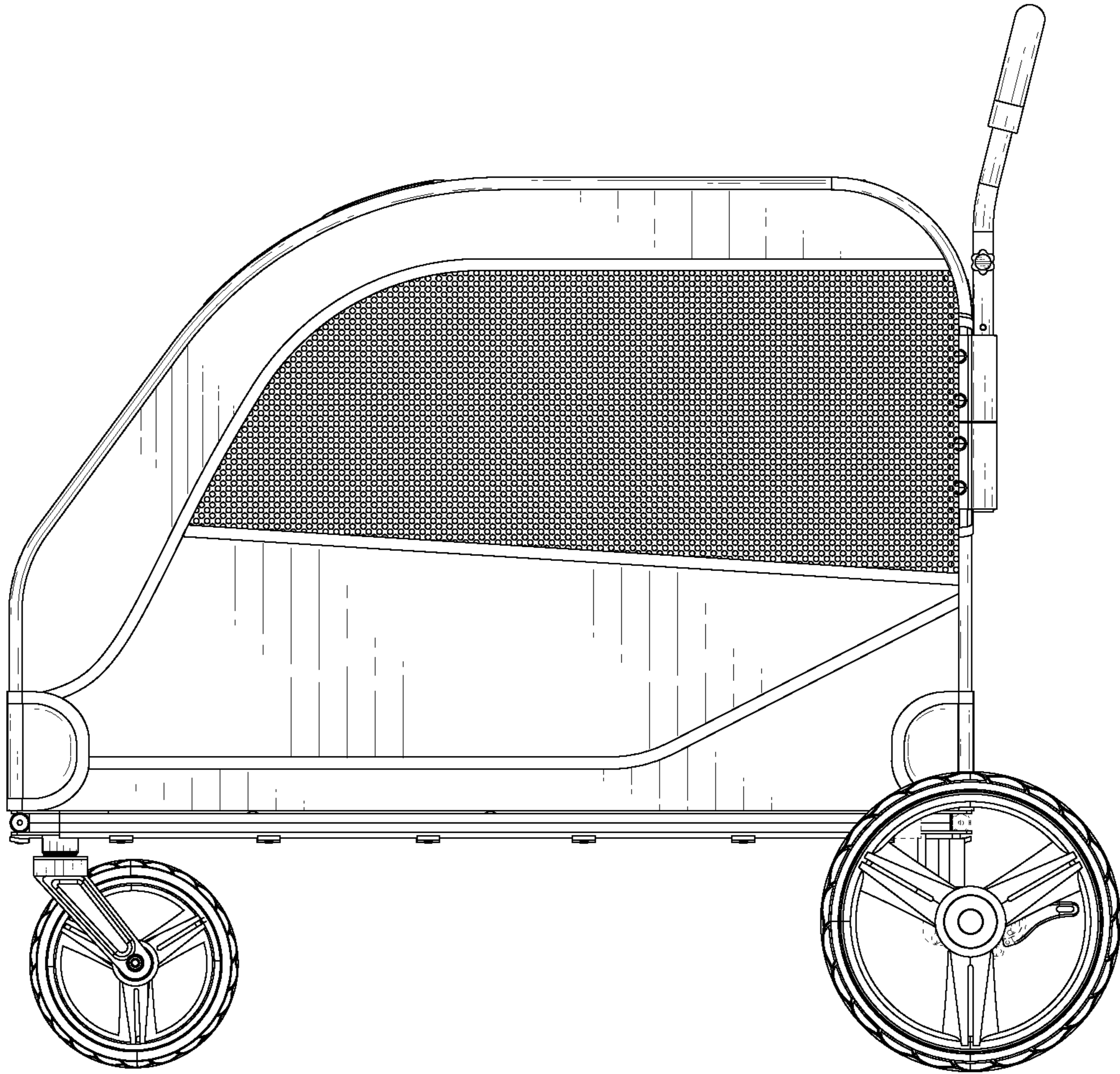


FIG. 5

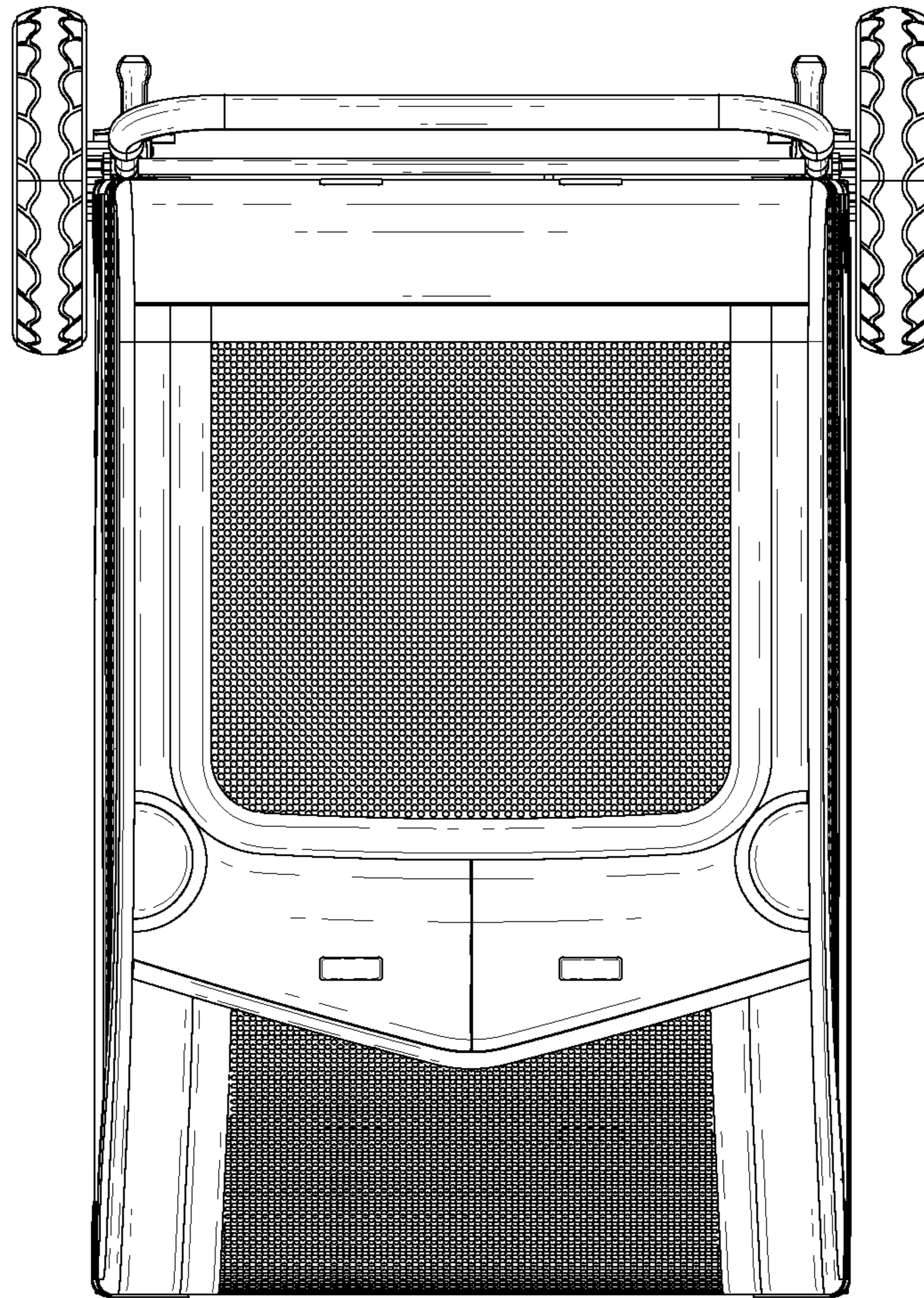


FIG. 6

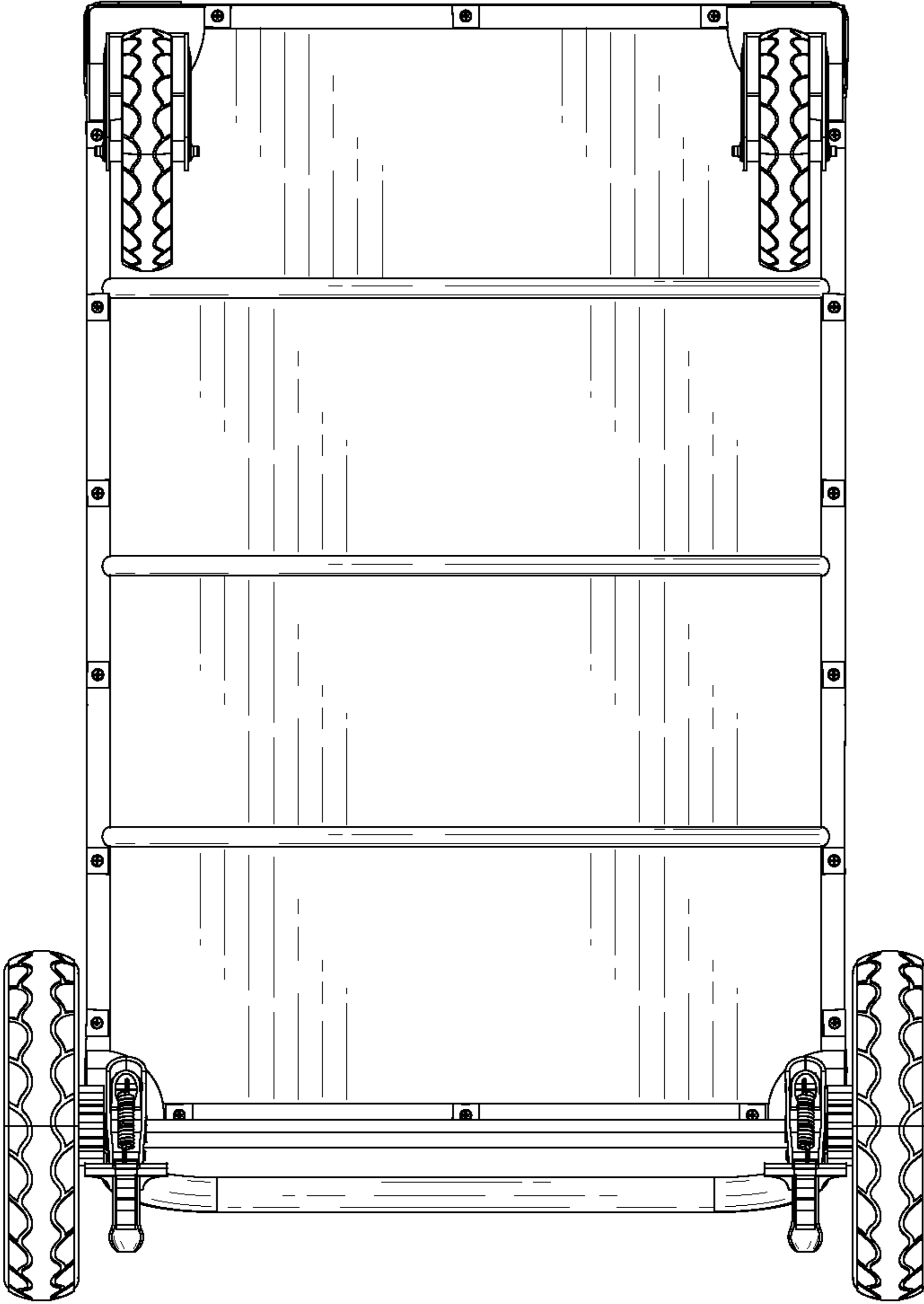


FIG. 7



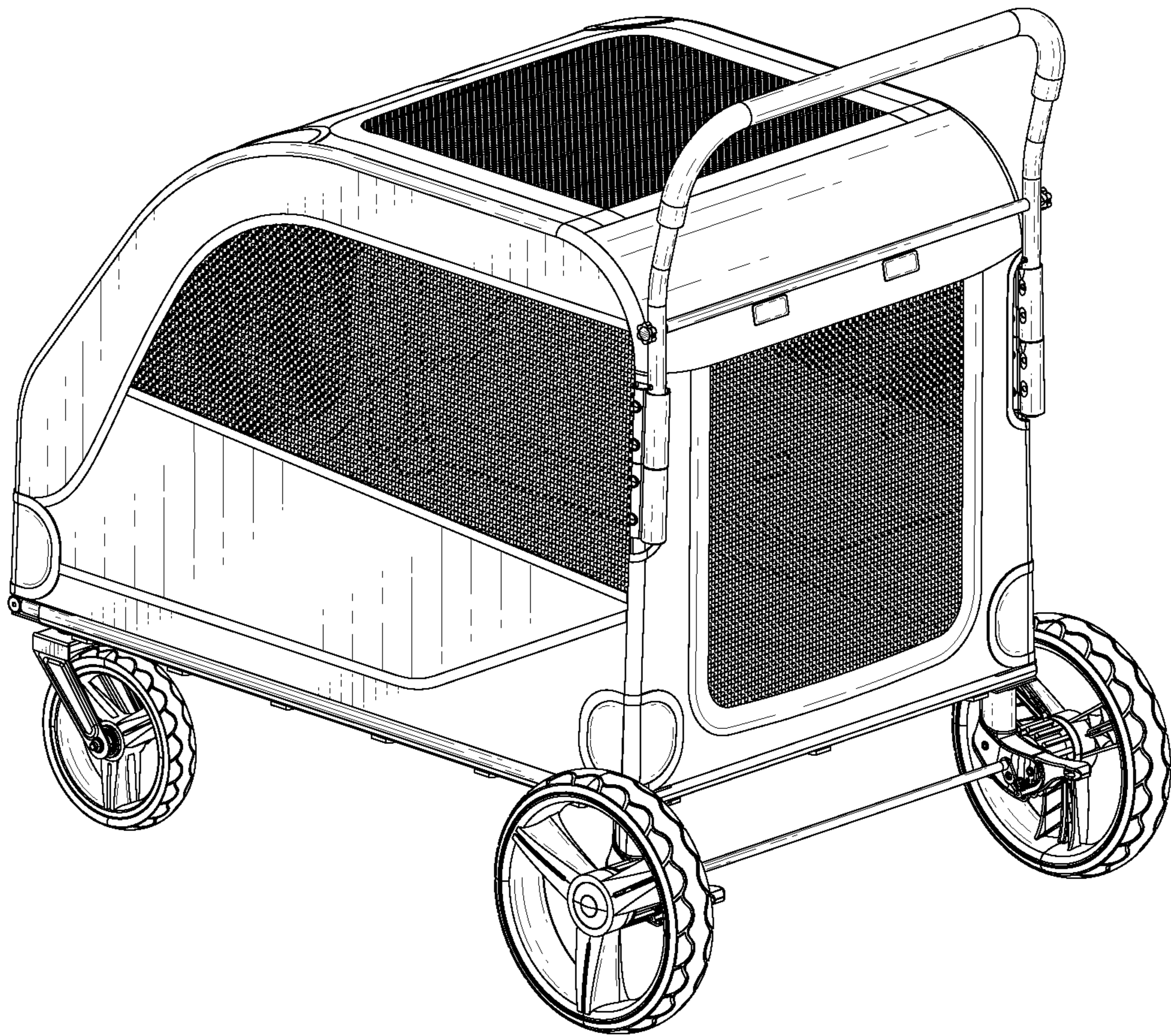


FIG. 8